

VÄDERSTAD

Carrier

CR 300-400

No. -



**Reservdelsbok
Spare Parts List
Ersatzteilverzeichnis**

900242
03.03.2011 5



Замовлення запчастин

(050)-407-68-47

(050)-407-68-45

1 Förklaringar av koder Explanations of codes Erklärung kodes

Fig. / Abb.

| | | |
|----|--|----|
| 1 | Slitdelar, Wear Parts, Verschleissteile | 7 |
| 2 | Ram, Frame, Rahmen..... | 9 |
| 3 | Vältpaket, stålringar, Roller ring unit, steel rings, Walzenpaket, stahl kreis | 13 |
| 4 | Vältpaket, gummi, Roller ring unit, rubber, Walzenpaket, Gummi | 15 |
| 5 | Vältpaket, gummi, Roller ring unit, rubber, Walzenpaket, Gummi | 17 |
| 6 | Avskrapare, stålpackare, Scraper, steel ring unit, Scraper, stahl kreis | 19 |
| 7 | Avskrapare, stålpackare, Scraper, steel ring unit, Abstreifer, stahl kreis | 21 |
| 8 | Avskrapare, stålpackare, Scraper, steel ring unit, Abstreifer, stahl kreis | 23 |
| 9 | Avskrapare, gummipackare, Scraper, rubber ring unit, Abstreifer, Gummipaket..... | 25 |
| 10 | Avskrapare, gummipackare, Scraper, rubber ring unit, Abstreifer, Gummipaket..... | 27 |
| 11 | Belysning, Lighting, Beleuchtung | 29 |
| 12 | Belysning, Lighting, Beleuchtung | 31 |
| 13 | Belysning, Lighting, Beleuchtung | 33 |
| 14 | Säkerhetspaket, Frankrike, Safety package, France, Sicherheitspaket, Frankreich | 35 |
| 15 | System Disc, System Disc, System Disc | 37 |
| 16 | System Disc, System Disc, System Disc..... | 39 |
| 17 | Drag, Drawbar, Zugdeichsel | 41 |
| 18 | Drag, Drawbar, Zugdeichsel | 43 |
| 19 | Cross Board, Cross Board, Cross Board | 45 |
| 20 | Belastningsvikter, Load weight, Belastungsgewicht..... | 47 |
| 21 | Dekaler, Decals, Aufklaber | 49 |

(050)-407-68-47

(050)-407-68-45

1 Förklaringar av koder

Explanations of codes

Erklärung kodes

| Förkortning Shortening Verkürzungen | Svenska | English | Deutsch |
|---|--------------------------|--------------------------|-----------------------------|
| EXT | Förlängning | Extension | Verlängerung |
| LH | Vänster | Left hand | Links |
| RH | Höger | Right hand | Rechts |
| IN | Inre | Inner | Innere |
| OUT | Yttre | Outer | Äußere |
| UP | Övre | Upper | Obere |
| LOW | Undre | Lower | Untere |
| FR | Främre | Front | Vordere |
| REAR | Bakre | Rear | Hintere |
| CR | Mitt | Center | Mitte |
| ML | Hane | Male | Männchen |
| FML | Hona | Female | Weibchen |
| SPEC | Special | Special | Special |
| PL | Slät | Plain | Glatt |
| ST | Rak | Straight | Gerade |
| TW | Vriden | Twisted | Gedreht |
| ANG | Böjd | Bent | Gebogen |
| TO | Tandad | Toothed | Gezahnt |
| TR | Traktormönstrat | Tractor tread | Tractor profil |
| RB | Ribbat | Ribbed | Gerippt |
| ASSY | Komplett | Complete | Komplett |
| P.OF | Antal i förpackning | Package of | Anzahl pro Verpackung |
| DI | Diameter inre | Inner diameter | Innendurchmesser |
| DO | Diameter yttre | Outer diameter | Außendurchmesser |
| D | Hydraulcylinder diameter | Hydraulcylinder diameter | Hydraulcylinder durchmesser |
| H | Höjd | Height | Höhe |
| L | Längd | Length | Länge |
| T | Tjocklek | Thickness | Dicke |
| V | Volym | Volume | Volumen |
| W | Bredd | Width | Breite |
| WI | Bred | Wide | Breit |
| NW | Smal | Narrow | Schmal |
| Z | Antal kuggar | Number of cogs | Anzahl Zacken |

(050)-407-68-45



Замовлення запчастин

(050)-407-68-47

(050)-407-68-45

Antal slitdelar / maskin
Number of wear plates / machine
Anzahl verschleißteil / maschine

| | | 300 | 350 | 400 |
|---|----------------------------|-------------|--------------|--------------|
| Antal vältringar, stål Quantity roller rings, steel Anzahl Walzenringe, Stahl | 442340 | 20 | 24 | 28 |
| Antal vältringar, stål Quantity roller rings, steel Anzahl Walzenringe, Stahl | 441937 | 4 | 4 | 4 |
| Antal tallrikar No. of discs Anzahl Scheiben | 444687 | 22 | 26 | 30 |
| Antal spetsar till CB No. of points for CB Anzahl spitze für CB | 440603 442008 425587 | 8 1 2 | 10 1 2 | 12 1 2 |

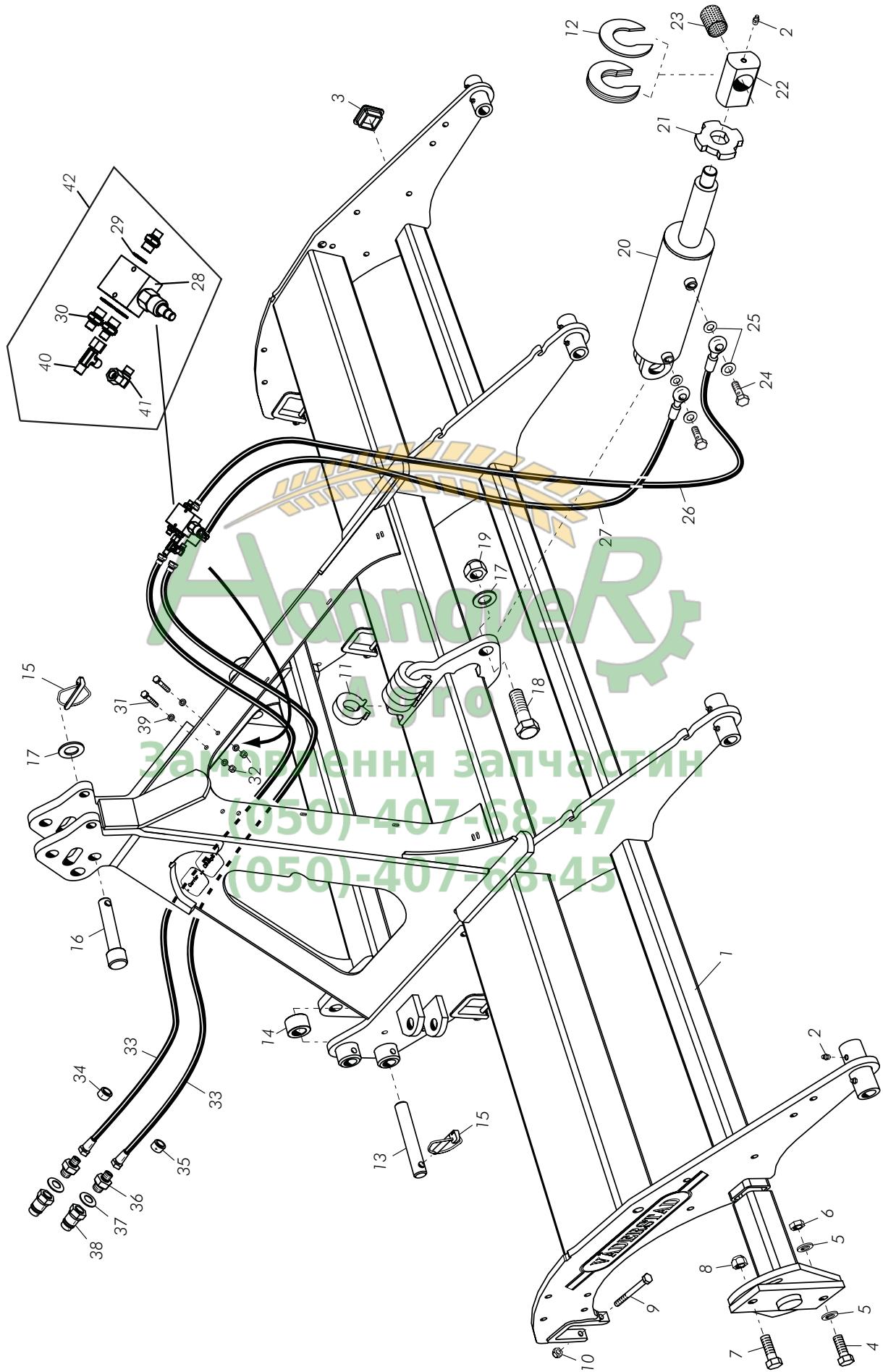


Замовлення запчастин
(050)-407-68-47
(050)-407-68-45

Slitdelar
Wear Parts
Verschleissteile



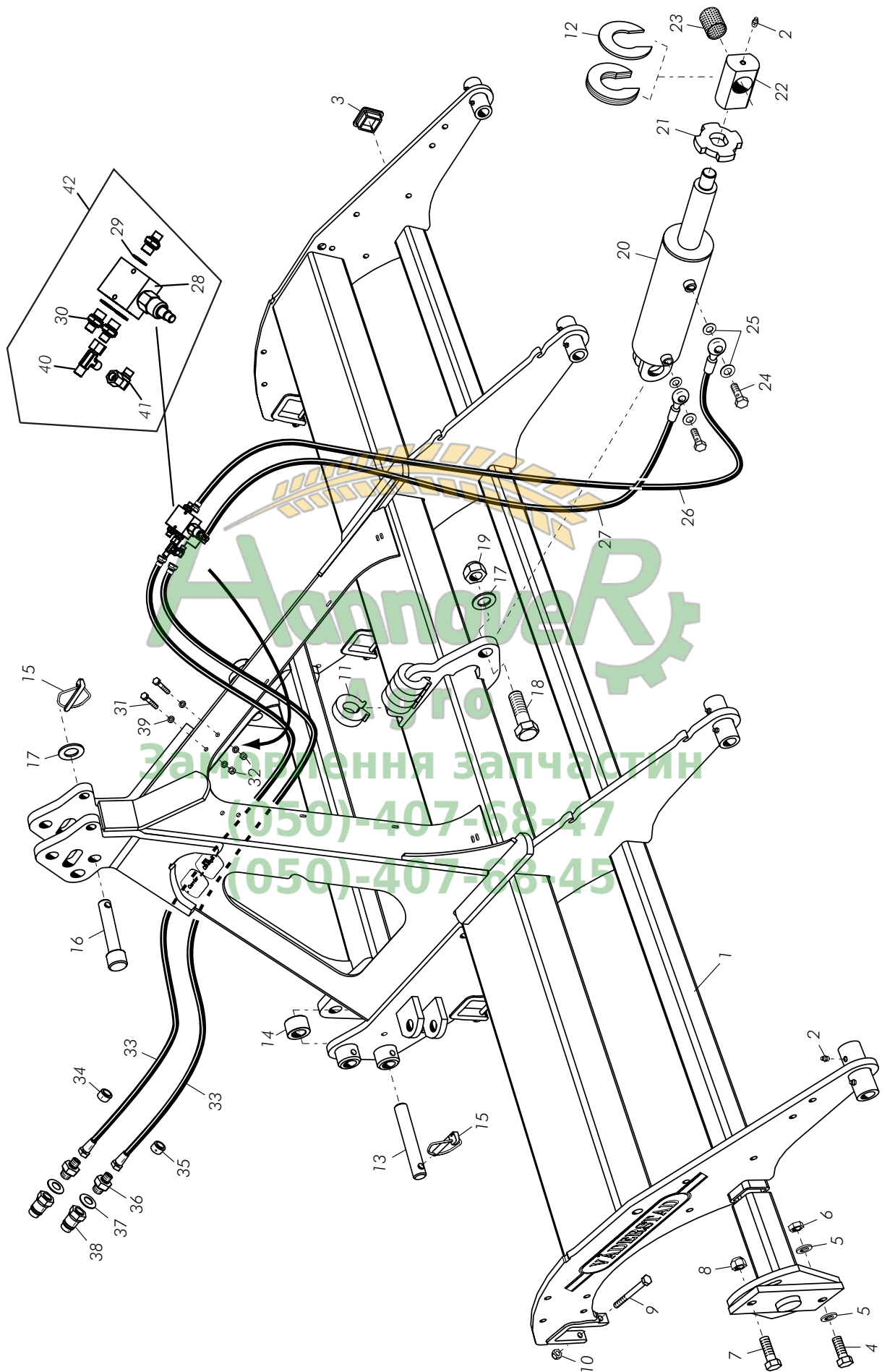
Fig. / Abb. 2



Ram
Frame
Rahmen

| Pos | No. | Svenska | English | Deutsch | Dim | |
|-----|-------------|--------------------|---------------------|----------------------|---------------------|-----------------------|
| 1 | 466293 | Ram | Frame | Rahmen | | CR 300, 6677- |
| 1 | 447422 | Ram | Frame | Rahmen | | CR 300, -6676 |
| 1 | 466294 | Ram | Frame | Rahmen | | CR 350, 6677- |
| 1 | 459712 | Ram | Frame | Rahmen | | CR 350, -6676 |
| 1 | 466295 | Ram | Frame | Rahmen | | CR 400, 6677- |
| 1 | 446520 | Ram | Frame | Rahmen | | CR 400, -6676 |
| 2 | 407661 | Smörjnippel | Grease nipple | Schmiernippel | ST, M8 | |
| 3 | 413896 | Plastplugg | Plastic plug | Kunststoffpfropfen | 60x60 | CR 300, CR 400, 6677- |
| 3 | 458603 | Plugg | Plug | Pfropfen | | CR 350, 6677- |
| 3 | 413896 | Plastplugg | Plastic plug | Kunststoffpfropfen | 60x60 | -6676 |
| 4 | 50001604021 | Skruv | Screw | Schraube | M16x40 | |
| 5 | 52001600041 | Bricka | Washer | Scheibe | M16 | |
| 6 | 51031600021 | Mutter | Nut | Mutter | M16 | |
| 7 | 50001602021 | Skruv | Screw | Schraube | M16x20 | |
| 8 | 51021600021 | Låsmutter | Lock nut | Sicherungsmutter | M16 | 6677- |
| 8 | 51031600021 | Mutter | Nut | Mutter | M16 | -6676 |
| 9 | 50001011021 | Skruv | Screw | Schraube | M10x110 | |
| 10 | 51011000021 | Låsmutter | Lock nut | Sicherungsmutter | M10 | |
| 11 | 449066 | Distans | Spacer | Distanz | 25 mm | 7304- |
| 11 | 447652 | Distans | Spacer | Distanz | | -7303 |
| 12 | 487397 | Distans | Spacer | Distanz | | 10036- |
| 12 | 471294 | Distans | Spacer | Distanz | 5 mm | 7304-10035 |
| 12 | 468101 | Distans | Spacer | Distanz | 5 mm | -7303 |
| 13 | 453892 | Sprint | Pin | Splint | | 4704- |
| 13 | 447525 | Sprint | Pin | Splint | | -4703 |
| 14 | 452693 | Hylsa | Sleeve | Hülse | | |
| 15 | 454400 | Sprint | Pin | Splint | | 4704- |
| 16 | 453893 | Sprint | Pin | Splint | | -4703 |
| 16 | 447526 | Sprint | Pin | Splint | | |
| 17 | 52003000041 | Bricka | Washer | Scheibe | M30 | |
| 18 | 465323 | Skruv | Screw | Schraube | M30x90, 10.9 | 6677- |
| 18 | 403535 | Skruv | Screw | Schraube | M20x68, 10.9 | -6676 |
| 19 | 51023000011 | Låsmutter | Lock nut | Sicherungsmutter | M30 | 6677- |
| 19 | 51022000021 | Låsmutter | Lock nut | Sicherungsmutter | M20 | -6676 |
| 20 | 480463 | Hydraulcylinder | Hydraulic ram | Hydraulik zylinder | | ASSY, 10036- |
| 20 | 480467 | Tätningssats | Sealing kit | Dichtungssatz | | 10036- |
| 20 | 470462 | Hydraulcylinder | Hydraulic ram | Hydraulikzylinder | DI:80/50, L:321/471 | 7304-10035 |
| 20 | 470463 | Tätningssats | Sealing kit | Dichtungssatz | | 7304-10035 |
| 20 | 471287 | Cylinderrör | Ram tube | Zylinderrohr | | 7304-10035 |
| 20 | 471288 | Kolvstång | Piston rod | Kolbenstange | | 7304-10035 |
| 20 | 471289 | Styrning | Guide | Führung | | 7304-10035 |
| 20 | 465299 | Hydraulcylinder | Hydraulic ram | Hydraulikzylinder | DI:80/40 | 6677-7303 |
| 20 | 400965 | Tätningssats | Sealing set | Dichtungssatz | | 6677-7303 |
| 20 | 465481 | Cylinderrör | Ram tube | Zylinderrohr | | 6677-7303 |
| 20 | 465298 | Kolvstång | Piston rod | Kolbenstange | | 6677-7303 |
| 20 | 465886 | Kolvstångsstyrning | Piston rod guide | Kolbenstangenführung | | 6677-7303 |
| 20 | 446884 | Hydraulcylinder | Hydraulic ram | Hydraulikzylinder | D:70/40, L:365/150 | -6676 |
| 20 | 447925 | Tätningssats | Sealing kit | Dichtungssatz | | -6676 |
| 20 | 446885 | Cylinderrör | Ram tube | Zylinderrohr | | -6676 |
| 20 | 446605 | Kolvstång | Piston rod | Kolbenstange | | -6676 |
| 20 | 447929 | Kolvstångsstyrning | Piston rod guide | Kolbenstangenführung | | -6676 |
| 21 | 468588 | Platta | Plate | Platte | | 7304- |
| 21 | 465311 | Platta | Plate | Platte | | 6677-7303 |
| 22 | 468587 | Kolvstångshuvud | Piston rod head | Kolbenstangenende | | 7304- |
| 22 | 465300 | Kolvstångshuvud | Piston rod head | Kolbenstangenende | | 6677-7303 |
| 23 | 465317 | Glidlager | Slide bearing | Gleitlager | | 6677- |
| 24 | 406751 | Hålskruv, banjo | Hole screw, banjo | Hohlschraube, Banjo | 1/4" | |
| 25 | 402202 | Gummistålbricka | Rubber steel washer | Gummistahlscheibe | 1/4" | |
| 26 | 447542 | Hydraulslang | Hydraulic hose | Hydraulikschlauch | DI:1/4", L:1100 | |
| 27 | 447541 | Hydraulslang | Hydraulic hose | Hydraulikschlauch | DI:1/4", L:900 | |
| 28 | 428236 | Ventilblock | Valve block | Ventilblock | | 10036- |
| 28 | 469034 | Hydraulblock | Hydraulic block | Hydraulikblock | | 6677-10035 |
| 28 | 428236 | Ventilblock | Valve block | Ventilblock | | -6676 |
| 29 | 402203 | Gummistålbricka | Rubber steel washer | Gummistahlscheibe | 3/8" | 6677- |
| 29 | 402202 | Gummistålbricka | Rubber steel washer | Gummistahlscheibe | 1/4" | -6676 |

Fig. / Abb. 2



Ram
Frame
Rahmen

CR 300-400

| Pos | No. | Svenska | English | Deutsch | Dim | |
|-----|-------------|-----------------|----------------------|----------------------|-----------------|-------|
| 30 | 401789 | Nippel | Nipple | Nippel | 1/4"-3/8" | |
| 31 | 50000606021 | Skruv | Screw | Schraube | M6x60 | 6677- |
| 31 | 50000805021 | Skruv | Screw | Schraube | M8x50 | -6676 |
| 32 | 51010600021 | Låsmutter | Lock nut | Sicherungsmutter | M6 | 6677- |
| 32 | 51010800021 | Låsmutter | Lock nut | Sicherungsmutter | M8 | -6676 |
| 33 | 447540 | Hydraulslang | Hydraulic hose | Hydraulikschlauch | DI:1/4", L:1340 | |
| 34 | 411301 | Plastring, gul | Plastic ring, yellow | Kunststoffring, gelb | - | |
| 35 | 411300 | Plastring, gul | Plastic ring, yellow | Kunststoffring, gelb | + | |
| 36 | 401782 | Nippel | Nipple | Nippel | 1/4"-1/2" | |
| 37 | 401774 | Gummistålbricka | Rubber steel washer | Gummistahlscheibe | 1/2" | |
| 38 | 401776 | Snabbkoppling | Quick coupling | Schnellkupplung | ML, 1/2" | |
| 39 | 52000600041 | Bricka | Washer | Scheibe | M6 | 6677- |
| 40 | 411916 | T-rör | T-piece | T-stück | | |
| 41 | 414650 | Nippel | Nipple | Nippel | | |
| 42 | 469035 | Hydraulblock | Hydraulic block | Hydraulikblock | ASSY | |



Замовлення запчастин
(050)-407-68-47
(050)-407-68-45

Vältpaket, stålringar
Roller ring unit, steel rings
Walzenpaket, stahl kreis

CR 300-400

| Pos | No. | Svenska | English | Deutsch | Dim | |
|-----|-------------|----------------------------|----------------------------------|--------------------------------|------------------|---------------|
| 1 | 466297 | Ram | Frame | Rahmen | | CR 300, 6677- |
| 1 | 466298 | Ram | Frame | Rahmen | | CR 350, 6677- |
| 1 | 466299 | Ram | Frame | Rahmen | | CR 400, 6677- |
| 1 | 447423 | Ram | Frame | Rahmen | | CR 300, -6676 |
| 1 | 459717 | Ram | Frame | Rahmen | | CR 350, -6676 |
| 1 | 446527 | Ram | Frame | Rahmen | | CR 400, -6676 |
| 2 | 430743 | Skruv | Screw | Schraube | M30x140, 10.9 | 7400- |
| 2 | 465322 | Skruv | Screw | Schraube | M30x135, 10.9 | 6677-7399 |
| 2 | 50002012021 | Skruv | Screw | Schraube | M20x120 | -6676 |
| 3 | 51023000011 | Låsmutter | Lock nut | Sicherungsmutter | M30 | 6677- |
| 3 | 51022000021 | Låsmutter | Lock nut | Sicherungsmutter | M20 | -6676 |
| 4 | 50002415011 | Skruv | Screw | Schraube | M24x150 | |
| 5 | 51022400021 | Låsmutter | Lock nut | Sicherungsmutter | M24 | |
| 6 | 447058 | Skruv | Screw | Schraube | M16x120, 10.9 | |
| 7 | 51021600021 | Låsmutter | Lock nut | Sicherungsmutter | M16 | |
| 8 | 443772 | Vältaxel | Roller shaft | Walzenachse | L:1462 D:60 | CR 300 |
| 8 | 459720 | Vältaxel | Roller shaft | Walzenachse | | CR 350 |
| 8 | 447805 | Vältaxel | Roller shaft | Walzenachse | L:1975 D:60 | CR 400 |
| 9 | 441937 | Vältring, stål | Roller ring, steel | Walzenring, stahl | Ø600 | |
| 10 | 442340 | Vältring, stål | Roller ring, steel | Walzenring, stahl | Ø600 | |
| 11 | 447709 | Gummifjädring, inkl. lager | Rubber suspension, incl. Bearing | Gummi Federung, einschl. Lager | ASSY | |
| 12 | 422464 | Tätning | Sealing | Dichtung | | |
| 13 | 422463 | Lagring | Bearing | Lager | 6207 2RS1 | |
| 14 | 52062400094 | Spännbricka | Spring washer | Spannsceibe | M24 | |
| 15 | 428721 | Kronmutter | Castle nut | Kronenmutter | M24 | |
| 16 | 53000603591 | Spännstift | Roll pin | Spannstift | Ø6x35 | |
| 17 | 442341 | Lock | Cover | Deckel | | |
| 18 | 407661 | Smörjnippel | Grease nipple | Schmiernippel | ST, M8 | |
| 19 | 440973 | Hylsa | Sleeve | Hülse | | |
| 20 | 440972 | Bricka | Washer | Scheibe | | |
| 21 | 461802 | Krampa | Clamp | Bügel | | 120-6676 |
| 21 | 447344 | Krampa | Clamp | Bügel | | -119 |
| 22 | 52003000041 | Bricka | Washer | Scheibe | M30 | 7400- |

(050)-407-68-47
(050)-407-68-45

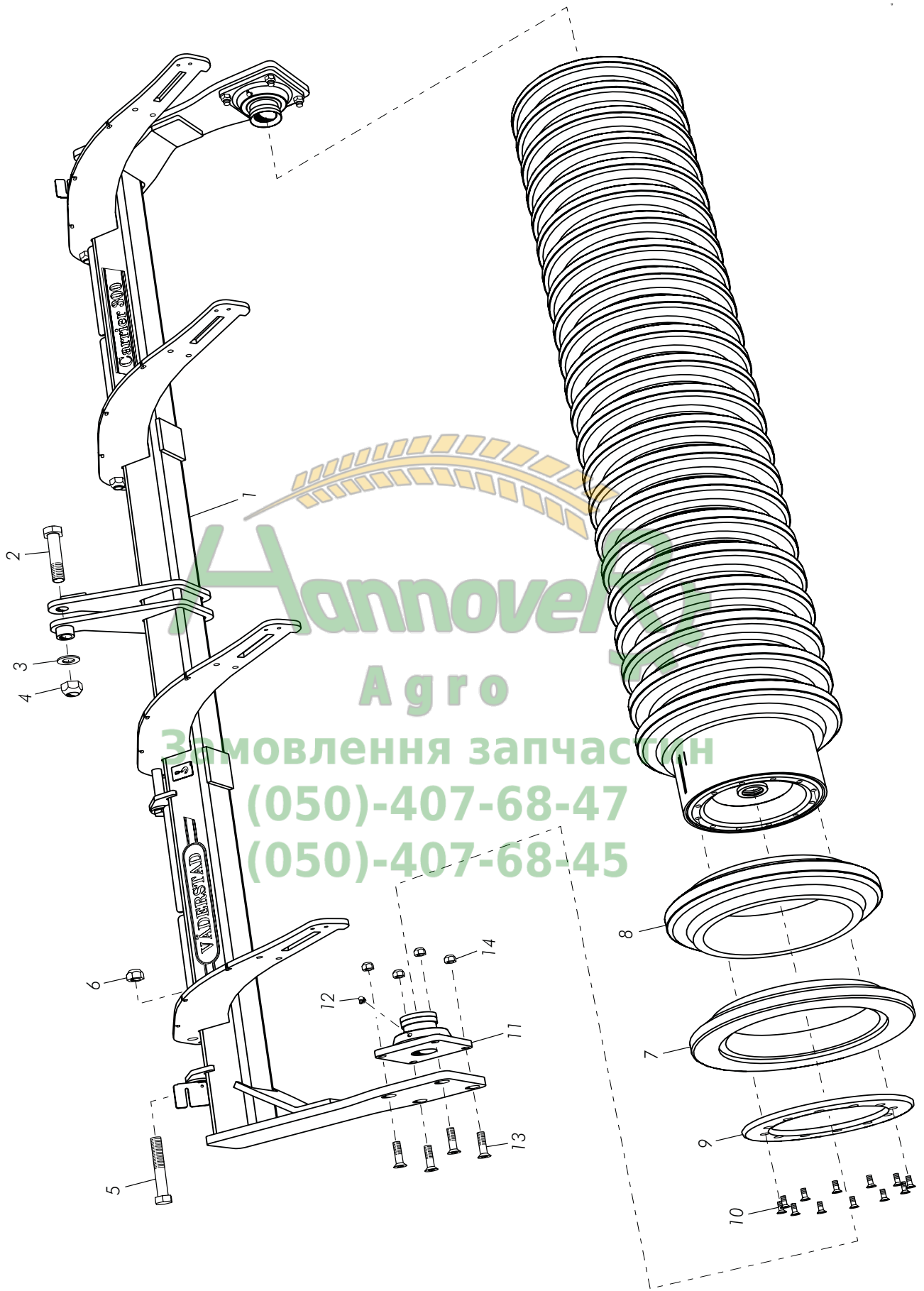


Fig. / Abb. 4

Vältpaket, gummi
Roller ring unit, rubber
Walzenpaket, Gummi

CR 300-400
7801-

| Pos | No. | Svenska | English | Deutsch | Dim | |
|-----|-------------|---------------------|-----------------------|-------------------|---------------|--------|
| 1 | 473107 | Ram | Frame | Rahmen | | CR 300 |
| 1 | 473883 | Ram | Frame | Rahmen | | CR 350 |
| 1 | 473884 | Ram | Frame | Rahmen | | CR 400 |
| 2 | 430743 | Skruv | Screw | Schraube | M30x140, 10.9 | |
| 3 | 52003000041 | Bricka | Washer | Scheibe | M30 | |
| 4 | 51023000011 | Låsmutter | Lock nut | Sicherungsmutter | M30 | |
| 5 | 50002415011 | Skruv | Screw | Schraube | M24x150 | |
| 6 | 51022400021 | Låsmutter | Lock nut | Sicherungsmutter | M24 | |
| 7 | 461991 | Gummielement, ytter | Rubber element, outer | Gummitteil, außen | | |
| 8 | 461992 | Gummielement | Rubber element | Gummitteil | | |
| 9 | 461972 | Plåt | Plate | Blech | | |
| 10 | 50241203011 | Skruv | Screw | Schraube | M12x30 T55 | |
| 11 | 465889 | Lagerhus | Bearing housing | Lagergehäuse | | |
| 12 | 468113 | Smörjnippel | Grease nipple | Schmiernippel | | |
| 13 | 50241606011 | Skruv | Screw | Schraube | M16x60 T60 | |
| 14 | 51021600011 | Låsmutter | Lock nut | Sicherungsmutter | M16, KI 10 | |



Замовлення запчастин
(050)-407-68-47
(050)-407-68-45

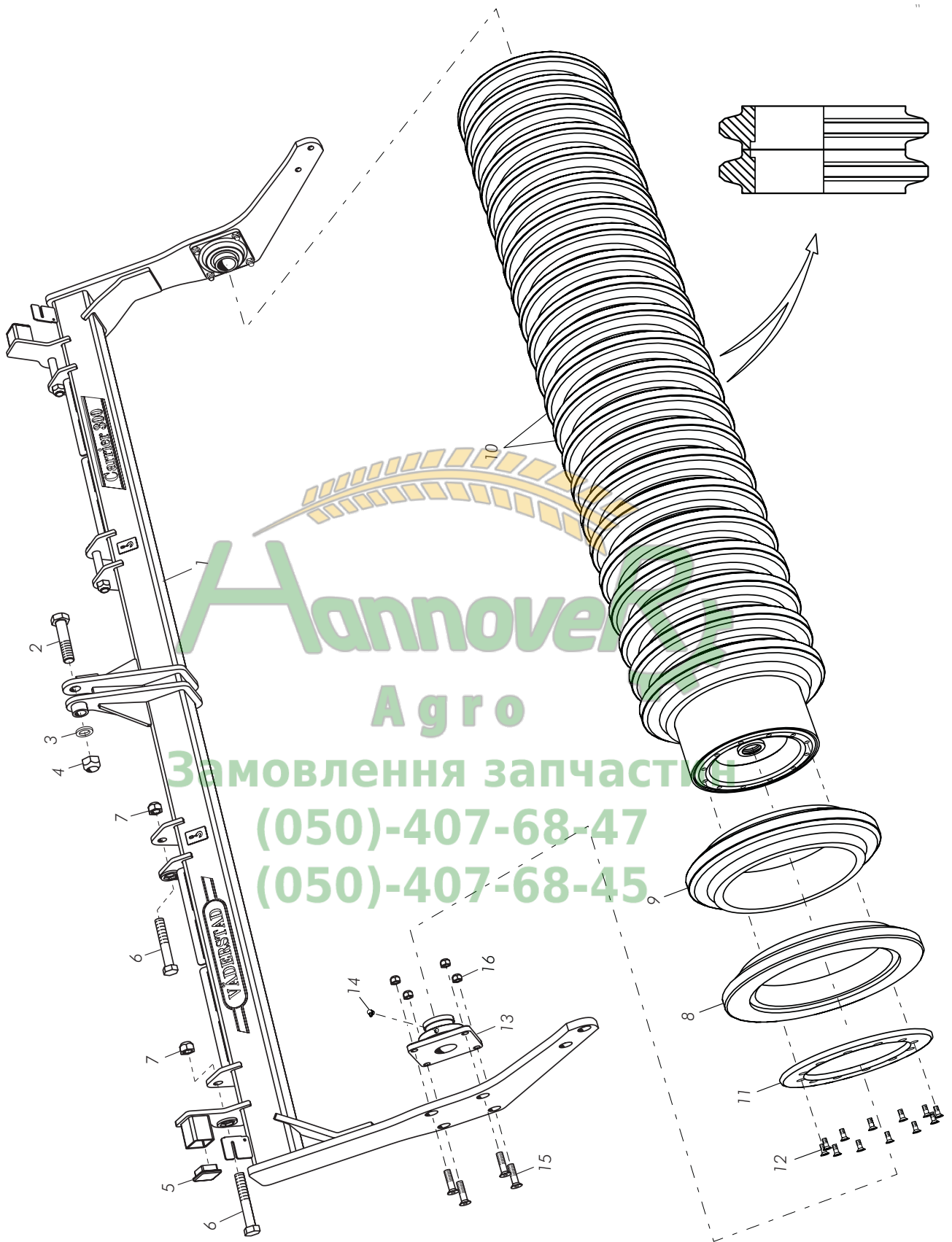


Fig. / Abb. 5

Vältpaket, gummi
Roller ring unit, rubber
Walzenpaket, Gummi

CR 300-400
-7800

| Pos | No. | Svenska | English | Deutsch | Dim | |
|-----|-------------|---------------------|-----------------------|-------------------|---------------|--------|
| 1 | 465829 | Ram | Frame | Rahmen | | CR 300 |
| 1 | 464350 | Ram | Frame | Rahmen | | CR 350 |
| 1 | 463613 | Ram | Frame | Rahmen | | CR 400 |
| 2 | 430743 | Skruv | Screw | Schraube | M30x140, 10.9 | 7400- |
| 2 | 465322 | Skruv | Screw | Schraube | M30x135, 10.9 | -7399 |
| 3 | 52003000041 | Bricka | Washer | Scheibe | M30 | 7400- |
| 4 | 51023000011 | Låsmutter | Lock nut | Sicherungsmutter | M30 | |
| 5 | 458603 | Plugg | Plug | Pfropfen | | |
| 6 | 50002415011 | Skruv | Screw | Schraube | M24x150 | |
| 7 | 51022400021 | Låsmutter | Lock nut | Sicherungsmutter | M24 | |
| 8 | 461991 | Gummielement, ytter | Rubber element, outer | Gummitteil, außen | | |
| 9 | 461992 | Gummielement | Rubber element | Gummitteil | | |
| 10 | 461993 | Gummielement | Rubber element | Gummitteil | CR | -7670 |
| 11 | 461972 | Plåt | Plate | Blech | | |
| 12 | 50241203011 | Skruv | Screw | Schraube | M12x30 T55 | |
| 13 | 465889 | Lagerhus | Bearing housing | Lagergehäuse | | |
| 14 | 50041606011 | Skruv | Screw | Schraube | M16x60 10.9 | |
| 15 | 51021600011 | Låsmutter | Lock nut | Sicherungsmutter | M16, KI 10 | |



Замовлення запчастин
(050)-407-68-47
(050)-407-68-45

Fig. / Abb. 6

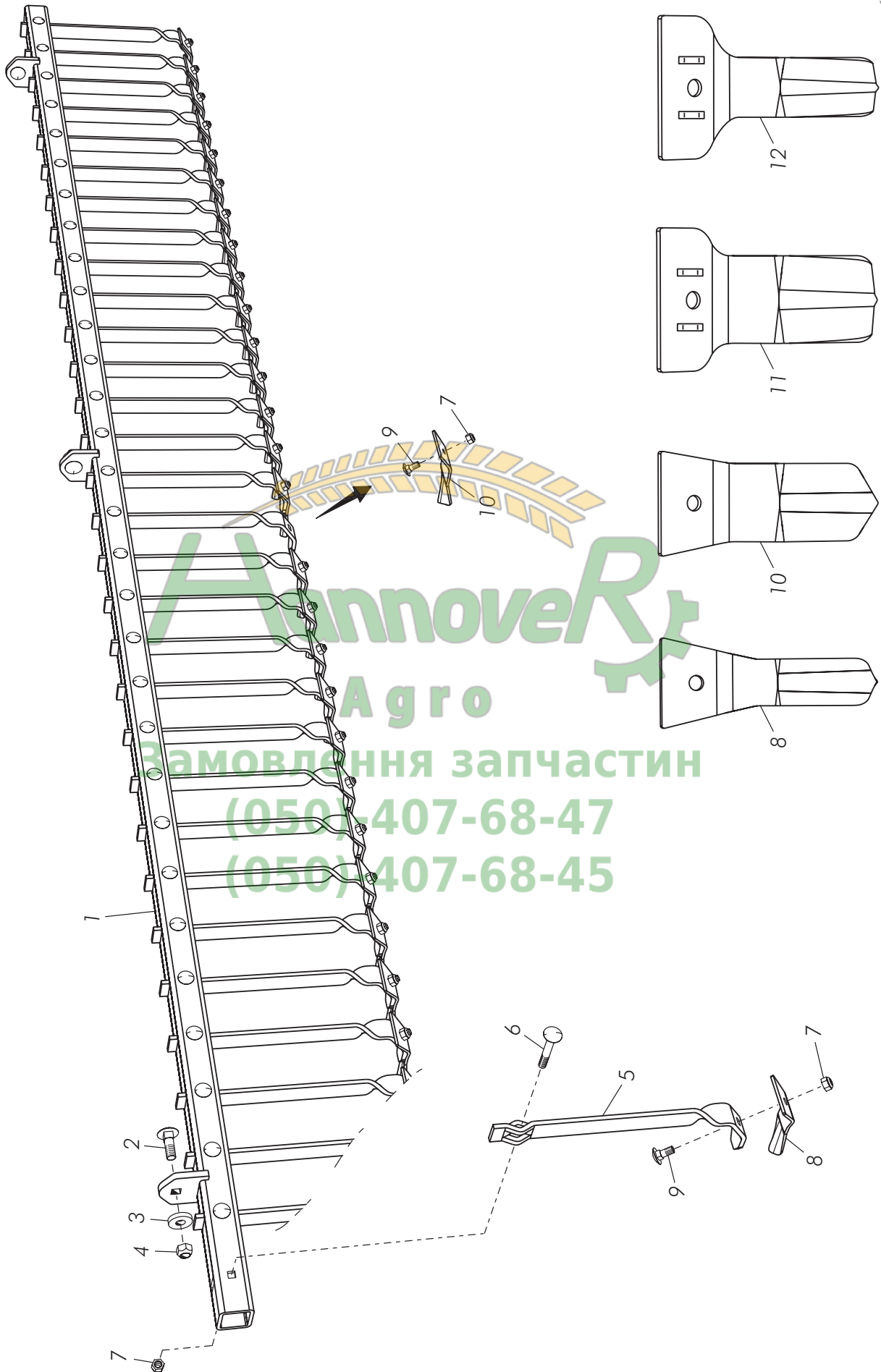


Fig. / Abb. 6

**Avskrapare, stålpackare
Scraper, steel ring unit
Scraper, stahl kreis**

**CR 300-400
7400-**

| Pos | No. | Svenska | English | Deutsch | Dim | |
|-----|-------------|-----------|---------------|------------------|-----------|--------|
| 1 | 470058 | Balk | Beam | Träger | | CR 300 |
| 1 | 470059 | Balk | Beam | Träger | | CR 350 |
| 1 | 470060 | Balk | Beam | Träger | | CR 400 |
| 2 | 50061605021 | Vagnsbult | Carriage bolt | Bolzen | M16x50 | |
| 3 | 52111600041 | Bricka | Washer | Scheibe | M16 | |
| 4 | 51021600021 | Låsmutter | Lock nut | Sicherungsmutter | M16 | |
| 5 | 479454 | Pinne | Tine | Zinken | | 9333- |
| 5 | 465486 | Pinne | Tine | Zinken | | -9332 |
| 6 | 50061208521 | Vagnsbult | Carriage bolt | Bolzen | M12x85 | |
| 7 | 51131200011 | Mutter | Nut | Mutter | M12, 10.9 | |
| 8 | 451404 | Platta | Plate | Platte | | |
| 9 | 50061203021 | Vagnsbult | Carriage bolt | Bolzen | M12x30 | |
| 10 | 451762 | Platta | Plate | Platte | | |
| 11 | 451345 | Platta | Plate | Platte | | |
| 12 | 450928 | Platta | Plate | Platte | | |



**Замовлення запчастин
(050)-407-68-47
(050)-407-68-45**

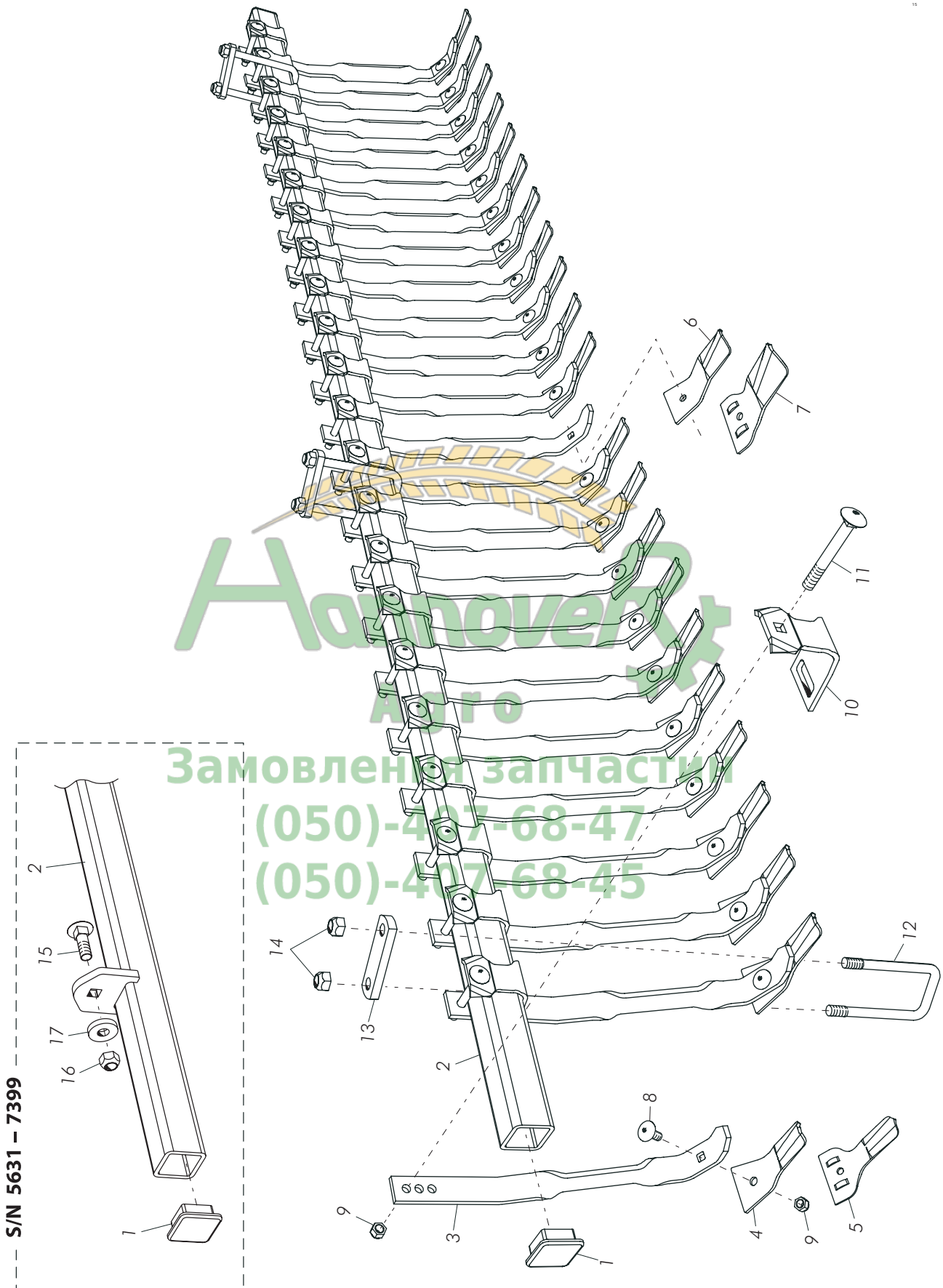


Fig. / Abb. 7

Avskrapare, stålpackare
Scraper, steel ring unit
Abstreifer, stahl kreis

CR 300-400
4100-7399

| Pos | No. | Svenska | English | Deutsch | Dim | |
|-----|-------------|------------|----------------|--------------------|---------|---------------------------|
| 1 | 458603 | Plugg | Plug | Pfropfen | | 5631- |
| 1 | 413896 | Plastplugg | Plastic plug | Kunststoffpfropfen | 60x60 | -5630 |
| 2 | 460164 | Axel | Axle | Achse | | CR 400, 5631- |
| 2 | 445244 | Balk | Beam | Träger | | CR 400, -5630 |
| 2 | 460191 | Axel | Axle | Achse | | CR 350, 5631- |
| 2 | 459723 | Balk | Beam | Träger | | CR 350, -5630 |
| 2 | 460163 | Axel | Axle | Achse | | CR 300, 5631- |
| 2 | 447430 | Balk | Beam | Träger | | CR 300, -5630 |
| 3 | 450432 | Pinne | Tine | Zinken | | |
| 4 | 451404 | Platta | Plate | Platte | | |
| 5 | 450928 | Platta | Plate | Platte | | Tillbehör/Access./Zubehör |
| 6 | 451762 | Platta | Plate | Platte | | |
| 7 | 451345 | Platta | Plate | Platte | | Tillbehör/Access./Zubehör |
| 8 | 50061203021 | Vagnsbult | Carriage bolt | Bolzen | M12x30 | |
| 9 | 51011200021 | Låsmutter | Lock nut | Sicherungsmutter | M12 | |
| 10 | 426600 | Pinnfäste | Tine bracket | Zinkenträger | | |
| 11 | 50061210021 | Vagnsbult | Carriage bolt | Bolzen | M12x100 | |
| 12 | 443794 | Krampa | Clamp | Krampe | | -5630 |
| 13 | 443677 | Plattstång | Flat bar steel | Flachstahl | | -5630 |
| 14 | 51021600021 | Låsmutter | Lock nut | Sicherungsmutter | M16 | -5630 |
| 15 | 50061605021 | Vagnsbult | Carriage bolt | Bolzen | M16x50 | 5631- |
| 16 | 51021600021 | Låsmutter | Lock nut | Sicherungsmutter | M16 | 5631- |
| 17 | 52111600041 | Bricka | Washer | Scheibe | M16 | 5631- |

Hannover
Agro

Замовлення запчастин
(050)-407-68-47
(050)-407-68-45

Fig. / Abb. 8

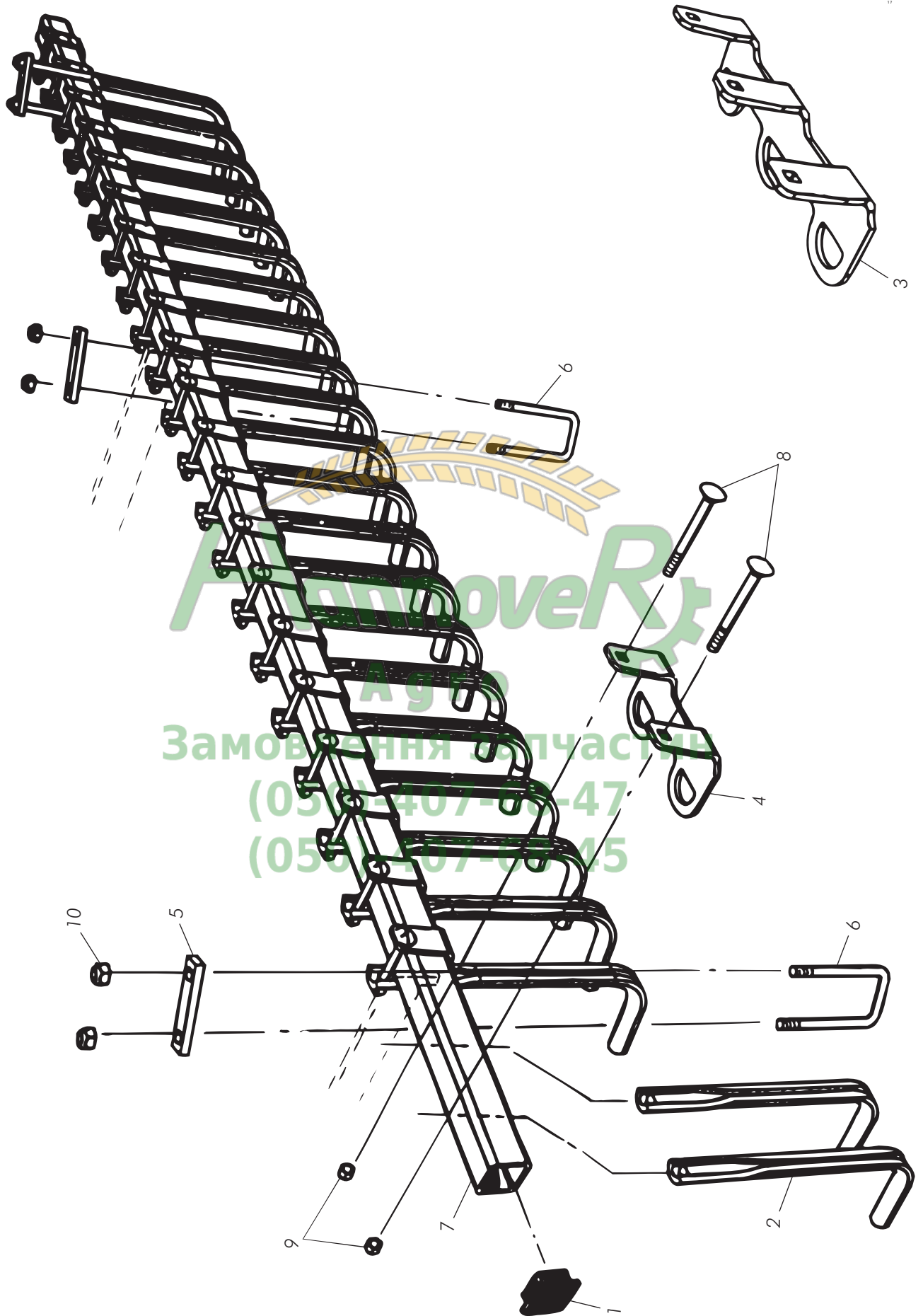


Fig. / Abb. 8

**Avskrapare, stålpackare
Scraper, steel ring unit
Abstreifer, stahl kreis**

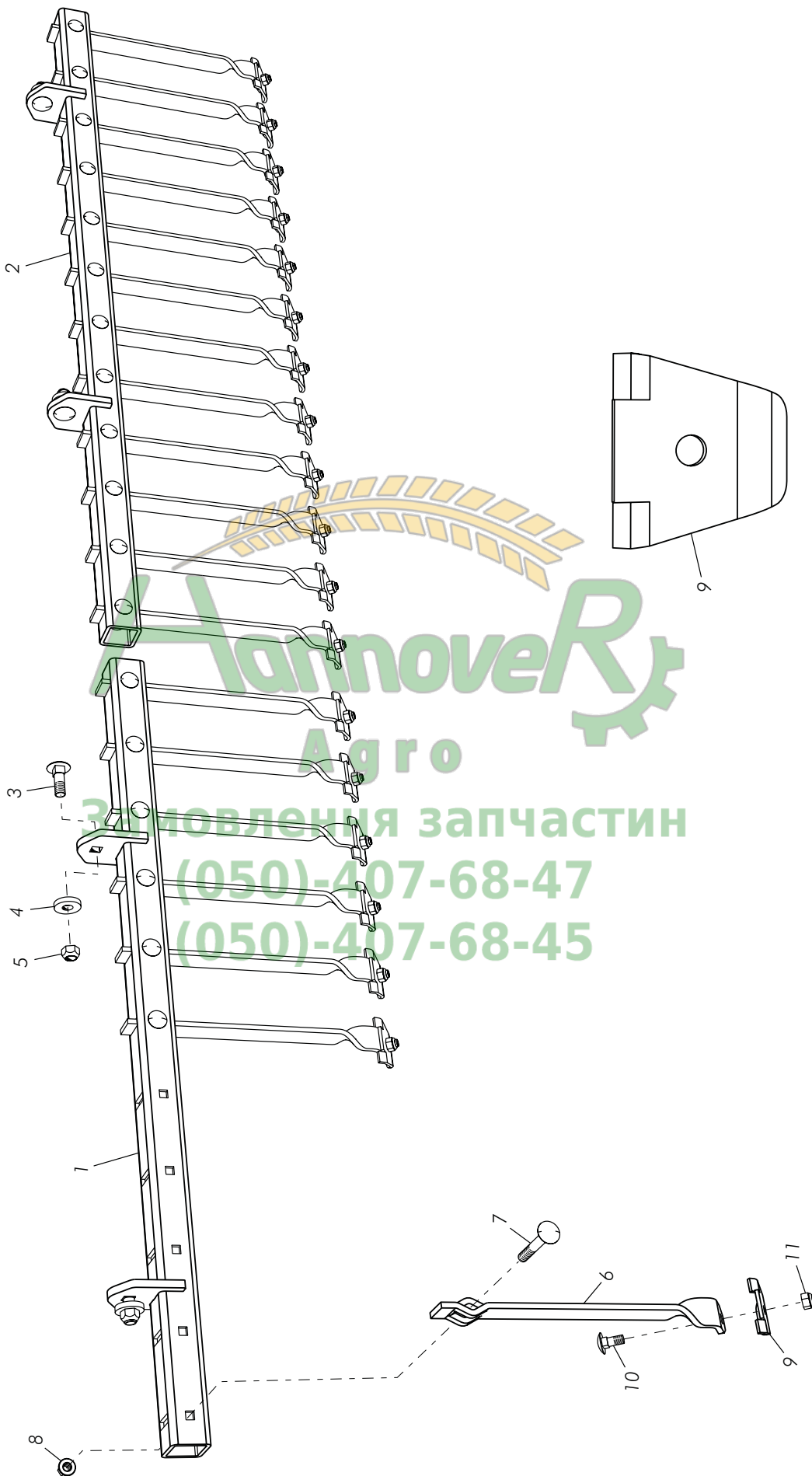
**CR 300-400
-4099**

| Pos | No. | Svenska | English | Deutsch | Dim | |
|-----|-------------|------------------|------------------|---------------------|---------|--------|
| 1 | 413896 | Plastplugg | Plastic plug | Kunststoffpfropfen | 60x60 | |
| 2 | 426080 | Avskrapare, lång | Scraper, long | Abstreifer, lang | | |
| 3 | 434137 | Fäste, 3 pinnar | Bracket, 3 tines | Halterung, 3 Zinken | | |
| 4 | 434138 | Fäste, 2 pinnar | Bracket, 2 tines | Halterung, 2 Zinken | | |
| 5 | 443677 | Plattstång | Flat bar steel | Flachstahl | | |
| 6 | 443794 | Krampa | Clamp | Krampe | | |
| 7 | 445244 | Balk | Beam | Träger | | CR 400 |
| 7 | 459723 | Balk | Beam | Träger | | CR 350 |
| 7 | 447430 | Balk | Beam | Träger | | CR 300 |
| 8 | 50061211021 | Vagnsbult | Carriage bolt | Bolzen | M12x110 | |
| 9 | 51011200021 | Låsmutter | Lock nut | Sicherungsmutter | M12 | |
| 10 | 51021600021 | Låsmutter | Lock nut | Sicherungsmutter | M16 | |



**Замовлення запчастин
(050)-407-68-47
(050)-407-68-45**

Fig. / Abb. 9



Avskrapare, gummipackare
Scraper, rubber ring unit
Abstreifer, Gummipaket

CR 300-400
7801-

| Pos | No. | Svenska | English | Deutsch | Dim | |
|-----|-------------|-----------|---------------|------------------|-----------|--------|
| 1 | 473825 | Balk | Beam | Träger | LH | CR 300 |
| 1 | 473827 | Balk | Beam | Träger | LH | CR 350 |
| 1 | 473829 | Balk | Beam | Träger | LH | CR 400 |
| 2 | 473824 | Balk | Beam | Träger | RH | CR 300 |
| 2 | 473826 | Balk | Beam | Träger | RH | CR 350 |
| 2 | 473828 | Balk | Beam | Träger | RH | CR 400 |
| 3 | 50061605021 | Vagnsbult | Carriage bolt | Bolzen | M16x50 | |
| 4 | 52111600041 | Bricka | Washer | Scheibe | M16 | |
| 5 | 51021600021 | Låsmutter | Lock nut | Sicherungsmutter | M16 | |
| 6 | 467818 | Pinne | Tine | Zinken | | |
| 7 | 50061208521 | Vagnsbult | Carriage bolt | Bolzen | M12x85 | |
| 8 | 51131200011 | Mutter | Nut | Mutter | M12, 10.9 | |
| 9 | 467951 | Platta | Plate | Platte | | |
| 10 | 50061203021 | Vagnsbult | Carriage bolt | Bolzen | M12x30 | |
| 11 | 51071200021 | Mutter | Nut | Mutter | M12 | |



Замовлення запчастин
(050)-407-68-47
(050)-407-68-45

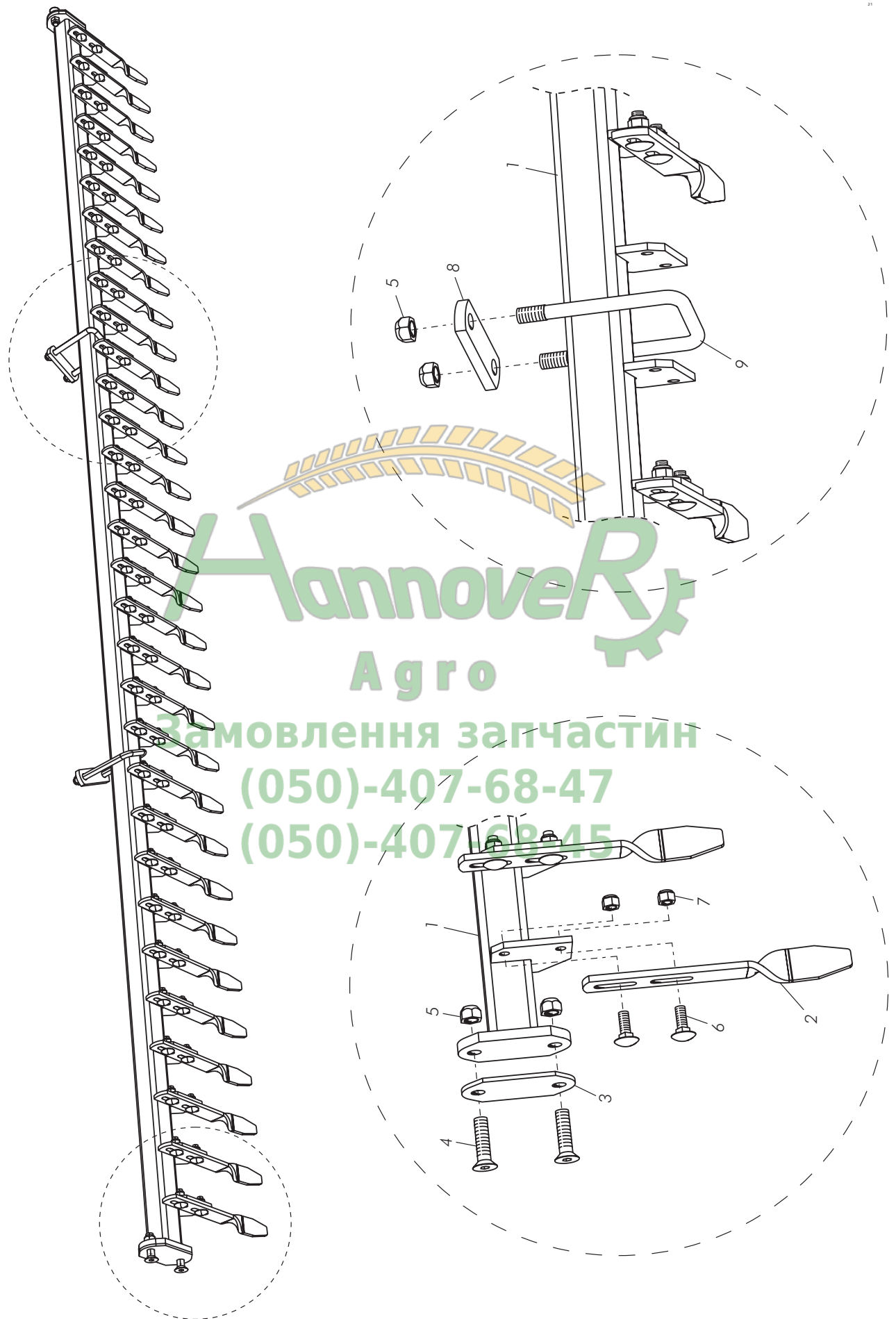


Fig. / Abb. 10

**Avskrapare, gummipackare
Scraper, rubber ring unit
Abstreifer, Gummipaket**

**CR 300-400
-7800**

| Pos | No. | Svenska | English | Deutsch | Dim | |
|-----|-------------|------------|----------------|------------------|-------------|-------------------|
| 1 | 464362 | Axel | Axle | Achse | | CR 400 |
| 1 | 464361 | Axel | Axle | Achse | | CR 350 |
| 1 | 460642 | Axel | Axle | Achse | | CR 300 |
| 2 | 460517 | Pinne | Tine | Zinken | | |
| 3 | 460349 | Platta | Plate | Platte | | |
| 4 | 50041606011 | Skruv | Screw | Schraube | M16x60 10.9 | |
| 5 | 51021600011 | Låsmutter | Lock nut | Sicherungsmutter | M16, KI 10 | |
| 6 | 50061203521 | Vagnsbult | Carriage bolt | Bolzen | M12x35 | |
| 7 | 51011200021 | Låsmutter | Lock nut | Sicherungsmutter | M12 | |
| 8 | 443677 | Plattstång | Flat bar steel | Flachstahl | | CR 350, CR 400 |
| 9 | 443794 | Krampa | Clamp | Krampe | | CR 350, CR 400 |

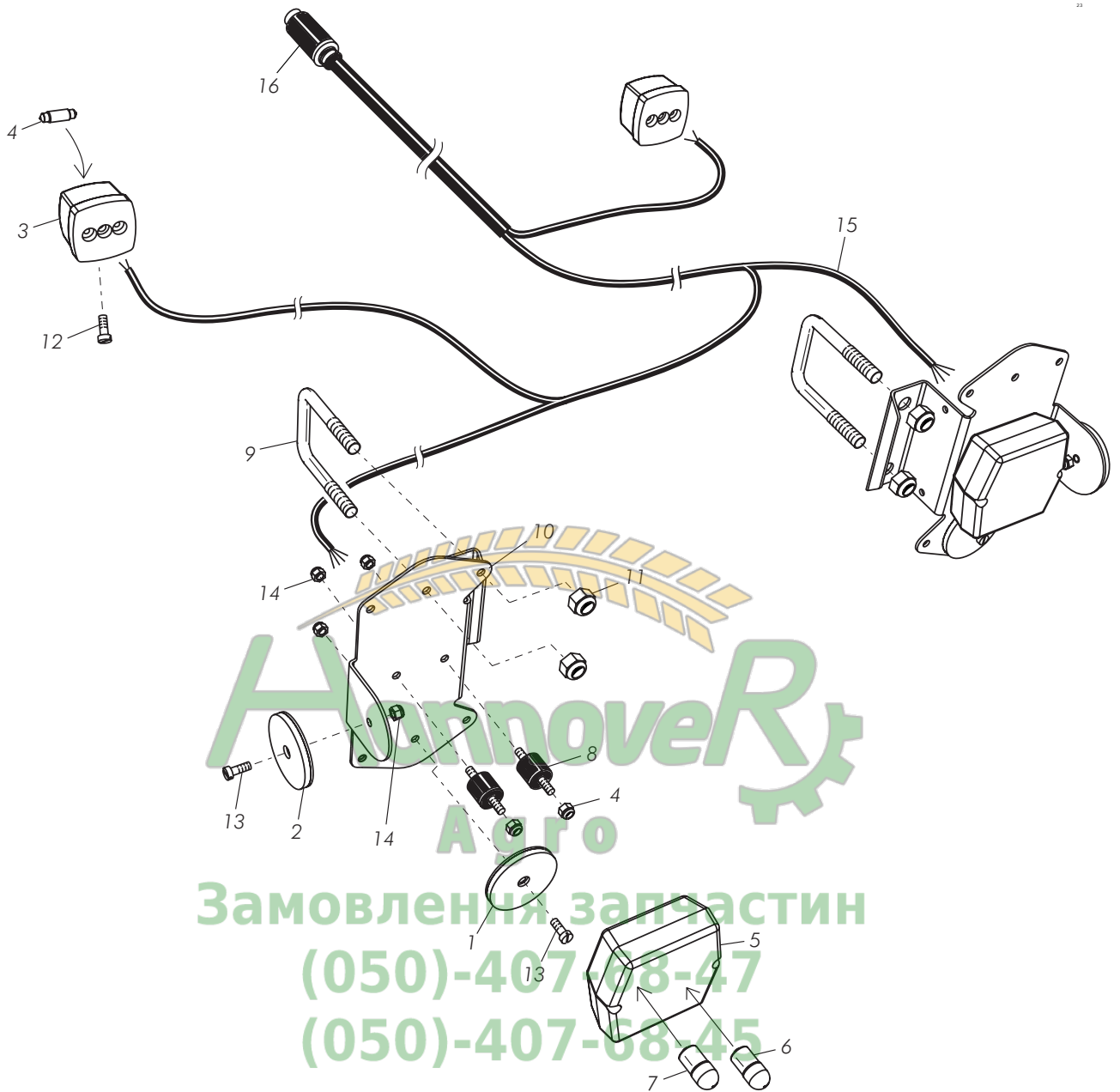


Замовлення запчастин

(050)-407-68-47

(050)-407-68-45

Fig. / Abb. 11



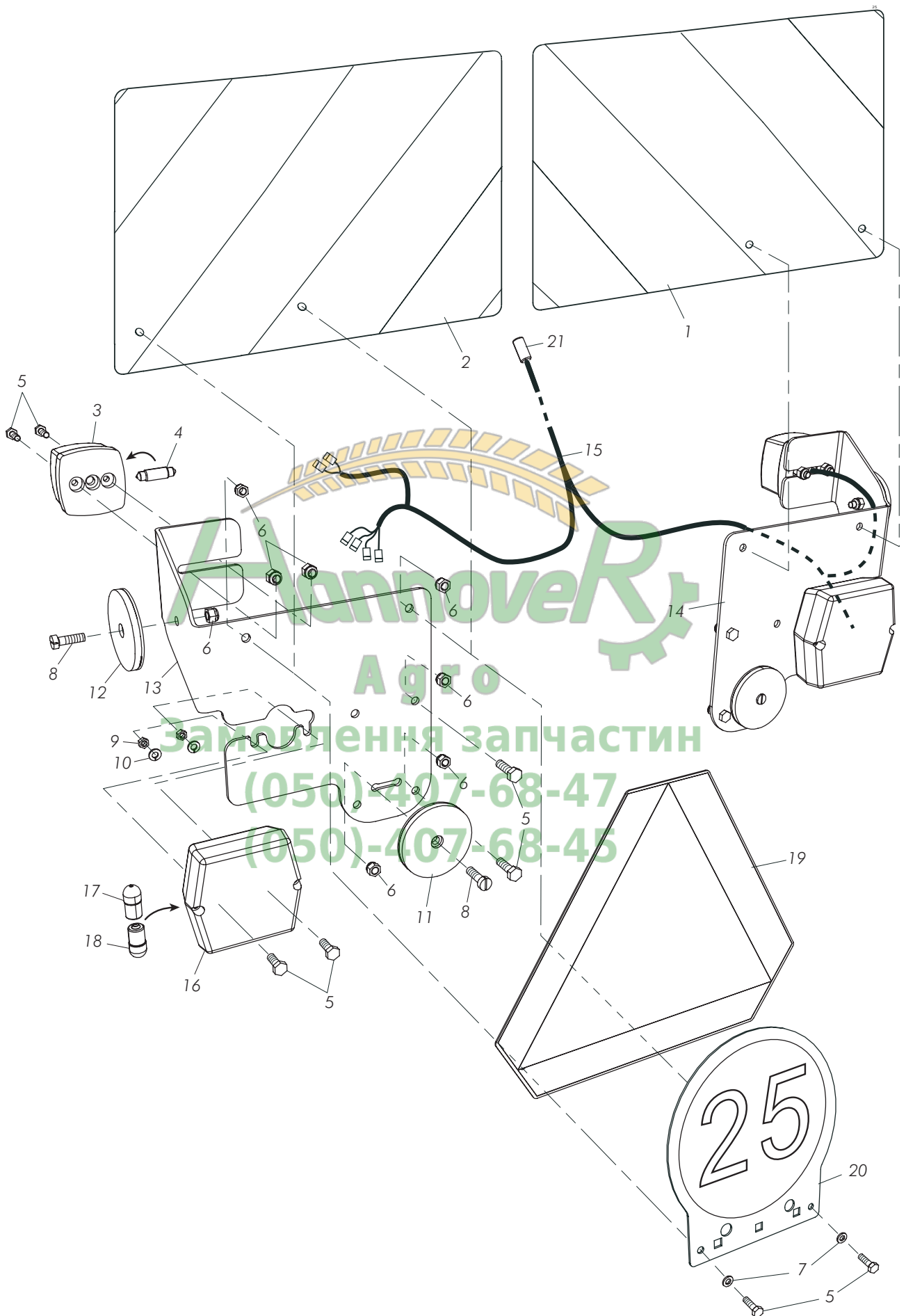
**Belysning
Lighting
Beleuchtung**
**CR 300-400
5922-**

| Pos | No. | Svenska | English | Deutsch | Dim |
|-----|-------------|--------------------------|-----------------------|---------------------------|------------|
| 1 | 307392 | Reflex, röd | Reflex, red | Reflex, rot | |
| 2 | 307393 | Reflex, gul | Reflex, yellow | Reflex, gelb | |
| 3 | 307395 | Positionsljus | Position light | Positionslicht | |
| 4 | 307396 | Glödlampa, positionsljus | Bulb, positions light | Glühbirne, Positionslicht | |
| 5 | 412895 | Bakljus | Rear lights | Rücklicht | ASSY |
| 5 | 446695 | Bakljusglas | Rear lights glass | Rücklichtglas | |
| 6 | 413339 | Glödlampa | Bulb | Glühbirne | 12V, 21/5W |
| 7 | 413499 | Glödlampa | Bulb | Glühbirne | 12V, 10W |
| 8 | 433110 | Gummidämpare | Rubber damper | Gummidämpfer | |
| 9 | 457429 | Krampa | Clamp | Krampe | |
| 10 | 457560 | Plåt | Plate | Blech | |
| 11 | 51011200021 | Låsmutter | Lock nut | Sicherungsmutter | M12 |
| 12 | 50000602521 | Skruv | Screw | Schraube | M6x25 |
| 13 | 50130601671 | Skruv | Screw | Schraube | M6x16 |
| 14 | 51010600021 | Låsmutter | Lock nut | Sicherungsmutter | M6 |
| 15 | 466285 | Kablage | Cable harness | Kabel | |
| 16 | 429694 | Kontakt | Connector | Schalter | |



**Замовлення запчастин
(050)-407-68-47
(050)-407-68-45**

Fig. / Abb. 12



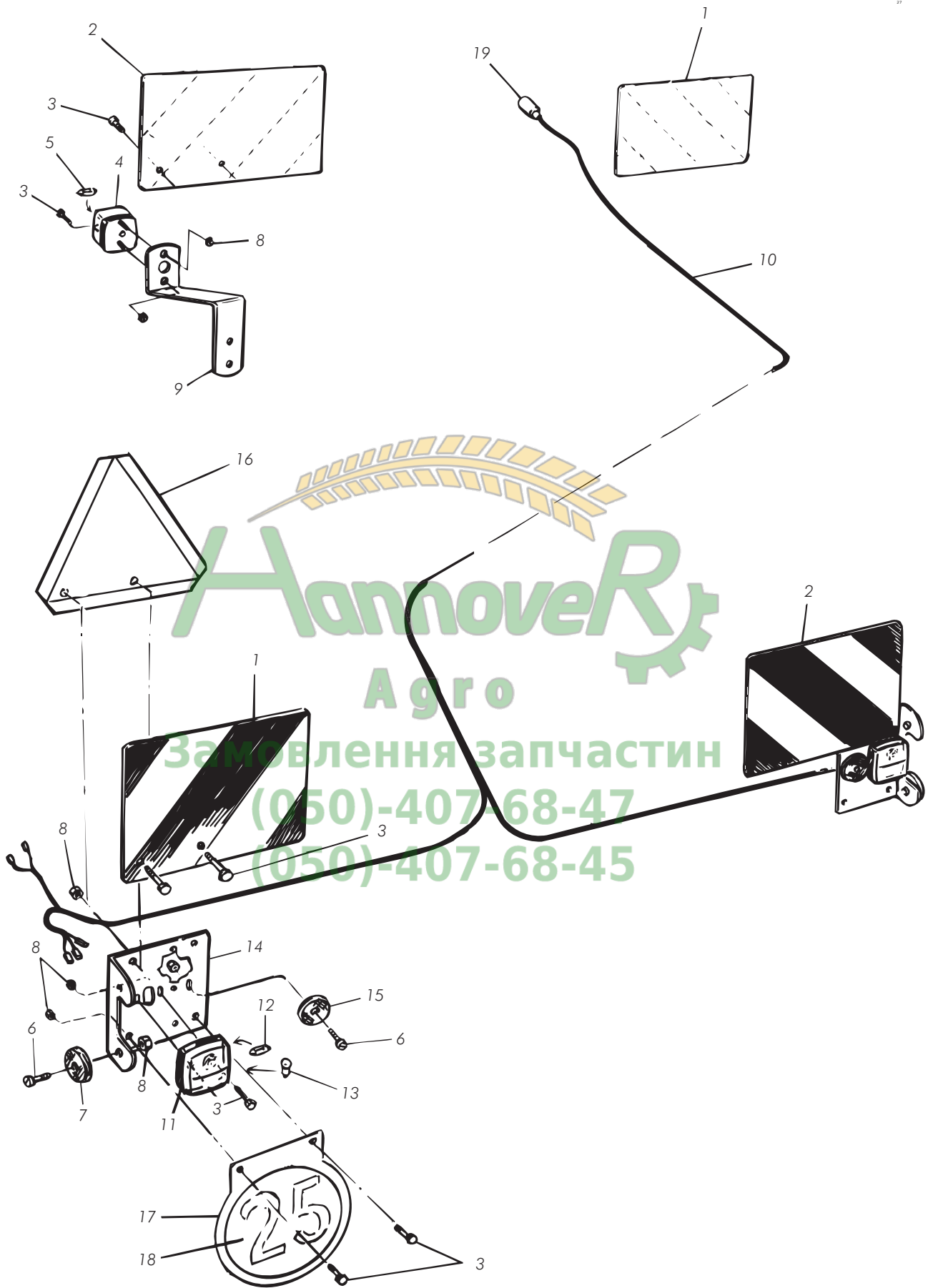
Belysning
Lighting
Beleuchtung
CR 300-400
4100-5921

| Pos | No. | Svenska | English | Deutsch | Dim |
|-----|-------------|--------------------------|------------------------|---------------------------|----------------|
| 1 | 307388 | Varningstavla | Warning board | Warntafel | REAR LH, FR RH |
| 2 | 307389 | Varningstavla | Warning board | Warntafel | REAR RH, FR LH |
| 3 | 307395 | Positionsljus | Position light | Positionslicht | |
| 4 | 307396 | Glödlampa, positionsljus | Bulb, positions light | Glühbirne, Positionslicht | |
| 5 | 50000602021 | Skruv | Screw | Schraube | M6x20 |
| 6 | 51010600021 | Låsmutter | Lock nut | Sicherungsmutter | M6 |
| 7 | 52000600041 | Bricka | Washer | Scheibe | M6 |
| 8 | 50130602071 | Skruv | Screw | Schraube | M6x20 |
| 9 | 51000600021 | Mutter | Nut | Mutter | M6 |
| 10 | 52030600091 | Fjäderbricka | Spring washer | Federscheibe | M6 |
| 11 | 307392 | Reflex, röd | Reflex, red | Reflex, rot | |
| 12 | 307393 | Reflex, gul | Reflex, yellow | Reflex, gelb | |
| 13 | 450470 | Plåt | Plate | Blech | LH |
| 14 | 450508 | Plåt | Plate | Blech | RH |
| 15 | 447544 | Kablage | Cable harness | Kabel | |
| 16 | 412895 | Bakljus | Rear lights | Rücklicht | ASSY |
| 16 | 446695 | Bakljusglas | Rear lights glass | Rücklichtglas | |
| 17 | 413499 | Glödlampa | Bulb | Glühbirne | 12V, 10W |
| 18 | 413339 | Glödlampa | Bulb | Glühbirne | 12V, 21/5W |
| 19 | 422663 | Plåt LGF-skylt | Plate, "slow vehicle" | Blech, Warndreieck | |
| 19 | 413376 | Dekal "LGF" | Sticker "Slow vehicle" | Aufkleber Warndreieck" | 400x350 |
| 20 | 421460 | Plåt | Plate | Blech | |
| 20 | 421434 | Dekal "25 km/h" | Sticker "25 km/h" | Aufkleber "25 km/h" | |
| 21 | 429694 | Kontakt | Connector | Schalter | |



Замовлення запчастин
(050)-407-68-47
(050)-407-68-45

Fig. / Abb. 13



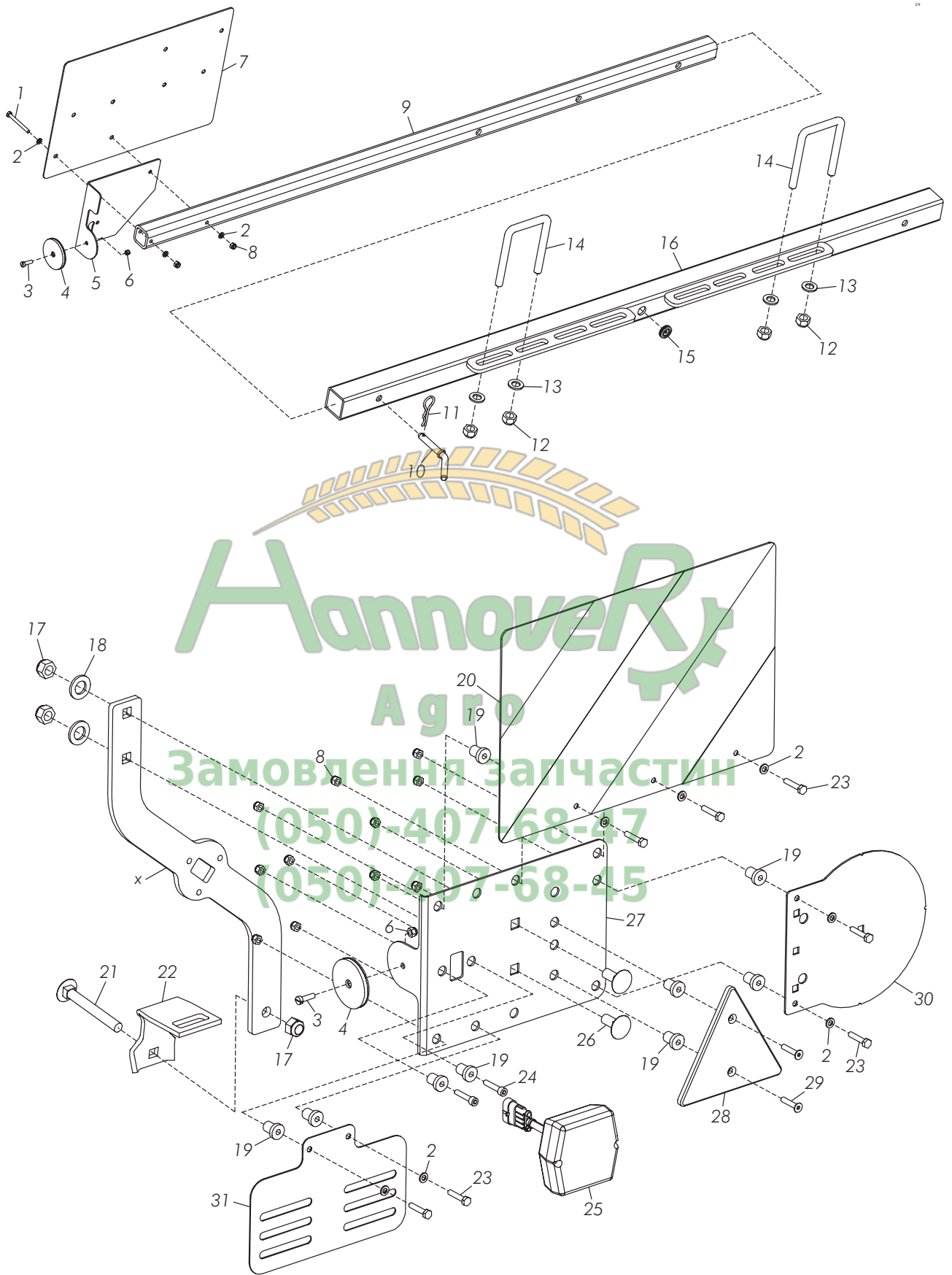
Belysning
Lighting
Beleuchtung

| Pos | No. | Svenska | English | Deutsch | Dim |
|-----|-------------|--------------------------|------------------------|---------------------------|----------------|
| 1 | 307388 | Varningstavla | Warning board | Warntafel | REAR LH, FR RH |
| 2 | 307389 | Varningstavla | Warning board | Warntafel | REAR RH, FR LH |
| 3 | 50000602021 | Skruv | Screw | Schraube | M6x20 |
| 4 | 307395 | Positionsljus | Position light | Positionslight | |
| 5 | 307396 | Glödlampa, positionsljus | Bulb, positions light | Glühbirne, Positionslight | |
| 6 | 50130602071 | Skruv | Screw | Schraube | M6x20 |
| 7 | 307393 | Reflex, gul | Reflex, yellow | Reflex, gelb | |
| 8 | 51010600021 | Låsmutter | Lock nut | Sicherungsmutter | M6 |
| 9 | 423194 | Plåt | Plate | Blech | |
| 9 | 423195 | Plåt | Plate | Blech | |
| 10 | 447544 | Kablage | Cable harness | Kabel | |
| 11 | 412895 | Bakljus | Rear lights | Rücklicht | ASSY |
| 11 | 446695 | Bakljusglas | Rear lights glass | Rücklichtglas | |
| 12 | 413499 | Glödlampa | Bulb | Glühbirne | 12V, 10W |
| 13 | 413339 | Glödlampa | Bulb | Glühbirne | 12V, 21/5W |
| 14 | 422184 | Plåt | Plate | Blech | REAR |
| 15 | 307392 | Reflex, röd | Reflex, red | Reflex, rot | |
| 16 | 422663 | Plåt LGF-skyt | Plate, "slow vehicle" | Blech, Warndreieck | |
| 16 | 413376 | Dekal "LGF" | Sticker "Slow vehicle" | Aufkleber Warndreieck" | 400x350 |
| 17 | 421460 | Plåt | Plate | Blech | |
| 18 | 421434 | Dekal "25 km/h" | Sticker "25 km/h" | Aufkleber "25 km/h" | |
| 19 | 429694 | Kontakt | Connector | Schalter | |

Hannover
Agro

Замовлення запчастин
(050)-407-68-47
(050)-407-68-45

Fig. / Abb. 14



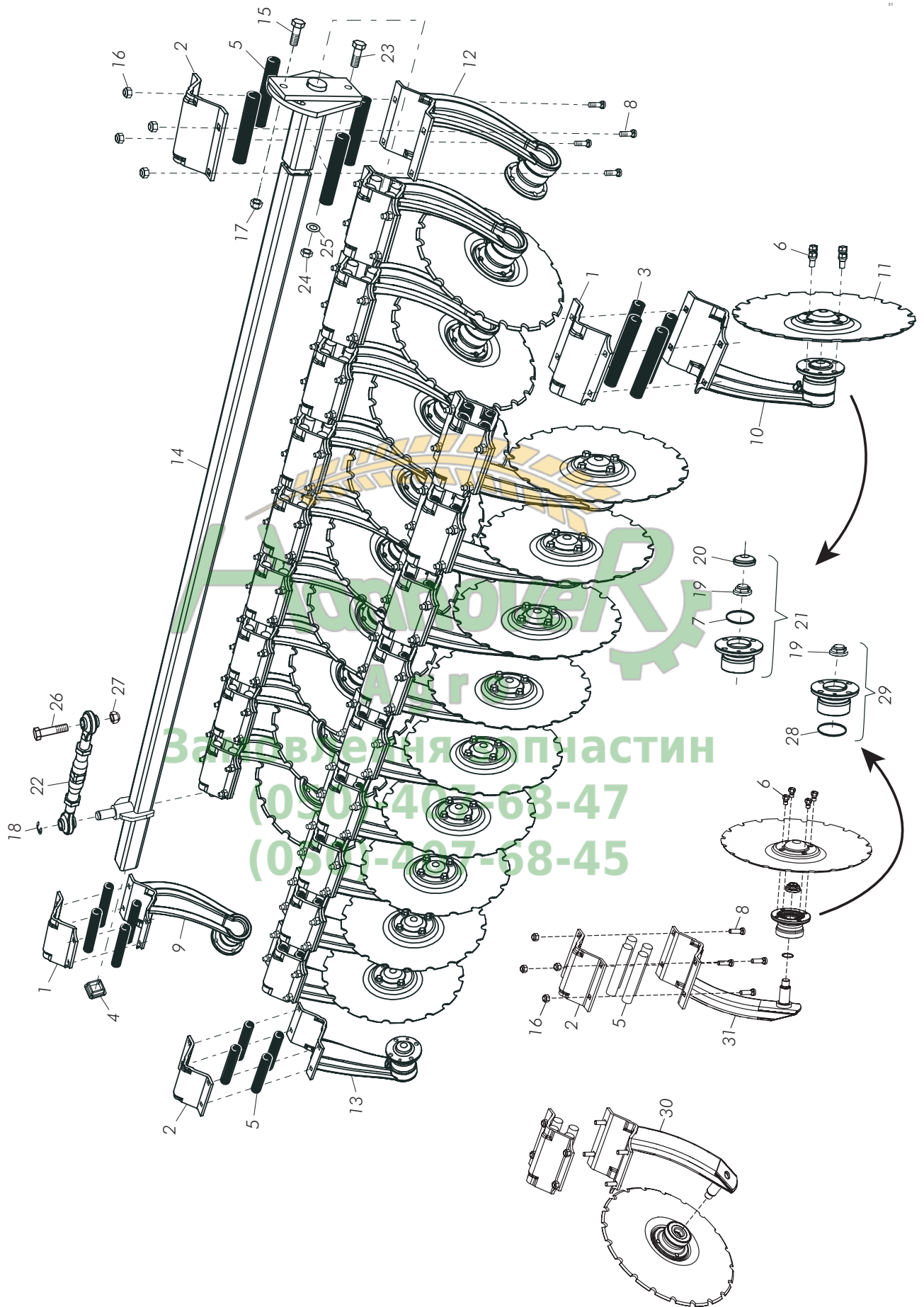
Säkerhetspaket, Frankrike
 Safety package, France
 Sicherheitspaket, Frankreich

CR 300-400
 9957 -

| Pos | No. | Svenska | English | Deutsch | Dim | |
|-----|-------------|--------------|-------------------|--------------------------|------------|----------------|
| 1 | 50000606021 | Skruv | Screw | Schraube | M6x60 | |
| 2 | 52000600041 | Bricka | Washer | Scheibe | M6 | |
| 3 | 51030602071 | Skruv | Screw | Schraube | | |
| 4 | 307393 | Reflex, gul | Reflex, yellow | Reflex, gelb | | |
| 5 | 428621 | Plåt | Plate | Blech | LH | |
| 5 | 428622 | Plåt | Plate | Blech | RH | |
| 6 | 51010500021 | Låsmutter | Lock nut | Sicherungsmutter | M5 | |
| 7 | 471133 | Plåt | Plate | Blech | | FR LH, REAR RH |
| 8 | 51010600021 | Låsmutter | Lock nut | Sicherungsmutter | M6 | |
| 9 | 484266 | Axel | Axle | Achse | | LH, RH |
| 10 | 400524 | Sprint | Pin | Splint | Ø12,7x67 | |
| 11 | 401762 | Låsnål | Locking pin | Arretierstift | 3,5 mm | |
| 12 | 51021600021 | Låsmutter | Lock nut | Sicherungsmutter | M16 | |
| 13 | 52001600041 | Bricka | Washer | Scheibe | M16 | |
| 14 | 431299 | Krampa | Clamp | Klampe | | |
| 15 | 428625 | Bussning | Bushing | Buchse | | |
| 16 | 484272 | Fäste | Bracket | Halterung | | |
| 17 | 51011200021 | Låsmutter | Lock nut | Sicherungsmutter | M12 | |
| 18 | 52001600041 | Bricka | Washer | Scheibe | M16 | |
| 19 | 484193 | Mutter | Nut | Mutter | | |
| 20 | 471132 | Plåt | Plate | Blech | | FR RH, REAR LH |
| 21 | 50061210021 | Vagnsbult | Carriage bolt | Bolzen | M12x100 | |
| 22 | 426600 | Pinnfäste | Tine bracket | Zinkenträger | | |
| 23 | 50000603021 | Skruv | Screw | Schraube | M6x30 | |
| 24 | 50030603021 | Skruv | Screw | Schraube | M6x30 | |
| 25 | 412895 | Bakljus | Rear lights | Rücklicht | ASSY | |
| 25 | 413499 | Glödlampa | Bulb | Glühbirne | 12V, 10W | |
| 25 | 413339 | Glödlampa | Bulb | Glühbirne | 12V, 21/5W | |
| 26 | 50061203021 | Vagnsbult | Carriage bolt | Bolzen | M12x30 | |
| 27 | 483662 | Plåt | Plate | Blech | | |
| 28 | 471539 | Reflex | Reflex | Reflex | | |
| 29 | 50040603022 | Skruv, inset | Screw, socket cap | Schraube, innensechskant | M6x30 | |
| 30 | 421460 | Plåt | Plate | Blech | | |
| 31 | 474168 | Plåt | Plate | Blech | | |

Замовлення запчастин
 (050)-407-68-47
 (050)-407-68-45

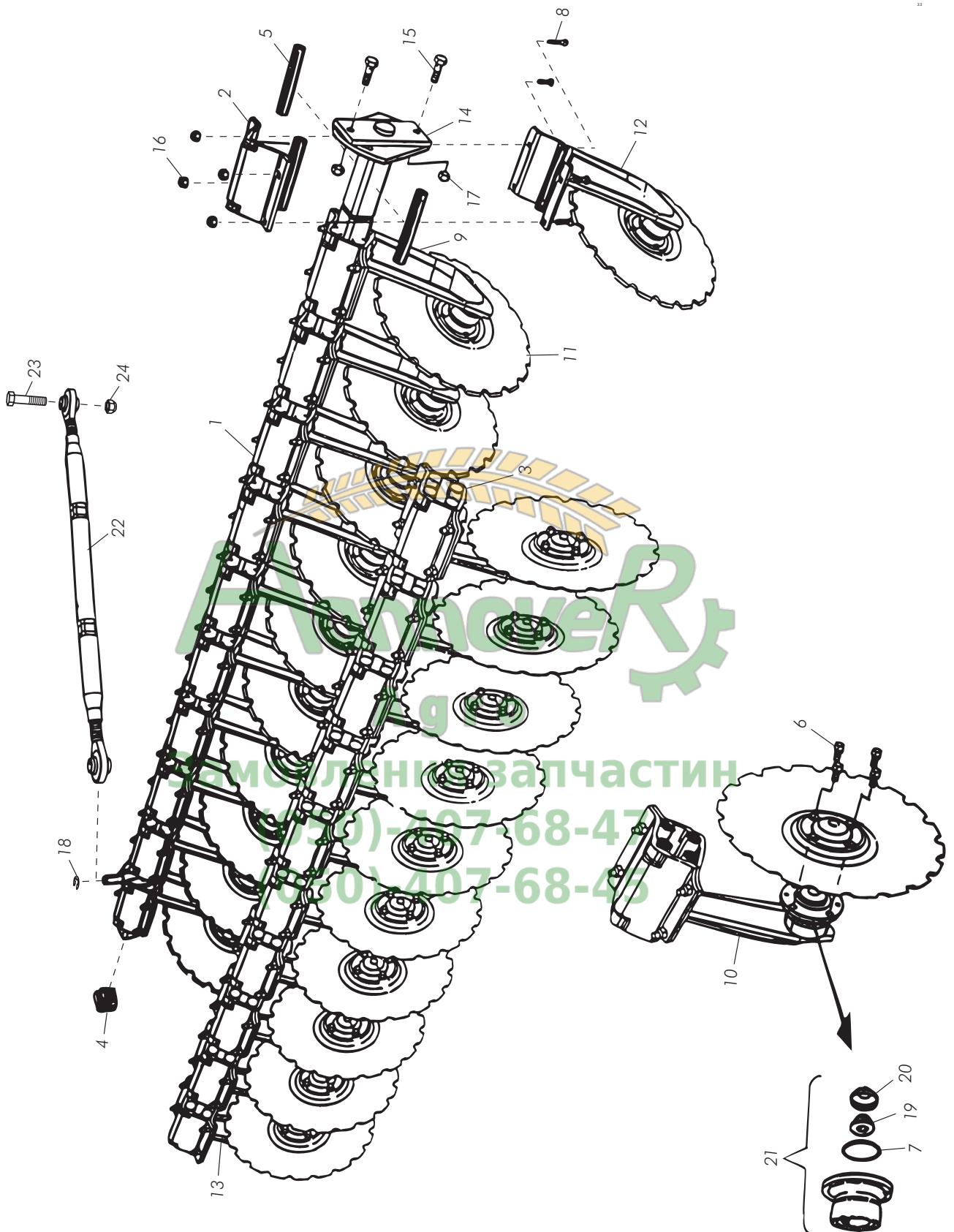
Fig. / Abb. 15



System Disc
System Disc
System DiscCR 300-400
4100-

| Pos | No. | Svenska | English | Deutsch | Dim | |
|-----|-------------|------------------------|---------------------|----------------------------|--------------|------------------|
| 1 | 307168 | Överfall | Cover | Führungsplatte | 200 mm | |
| 2 | 307169 | Överfall | Cover | Führungsplatte | 170 mm | |
| 3 | 450991 | Gummistav | Rubber bar | Gummistab | L:190 mm | |
| 4 | 413896 | Plastplugg | Plastic plug | Kunststoffpfropfen | 60x60 | |
| 5 | 414846 | Gummistav | Rubber bar | Gummistab | L:170 mm | |
| 6 | 461262 | Skruv | Screw | Schraube | | |
| 7 | 424961 | O-ring | O-ring | Runddichtring | | |
| 8 | 428571 | Vagnsbult | Carriage bolt | Bolzen | M12x42, 10.9 | |
| 9 | 484301 | Tallriksarm, inkl. nav | Disc arm, incl. Hub | Scheibenarm, einschl. Nabe | FR | 9350-10168 |
| 9 | 470468 | Tallriksarm, inkl. nav | Disc arm, incl. Hub | Scheibenarm, einschl. Nabe | FR | 7400-9349 |
| 9 | 450911 | Tallriksarm, inkl. nav | Disc arm, incl. Hub | Scheibenarm, einschl. Nabe | FR | -7399 |
| 10 | 484302 | Tallriksarm, inkl. nav | Disc arm, incl. Hub | Scheibenarm, einschl. Nabe | REAR | 9350-10168 |
| 10 | 470469 | Tallriksarm, inkl. nav | Disc arm, incl. Hub | Scheibenarm, einschl. Nabe | REAR | 7400-9349 |
| 10 | 450912 | Tallriksarm, inkl. nav | Disc arm, incl. Hub | Scheibenarm, einschl. Nabe | REAR | -7399 |
| 11 | 466947 | Tallrik | Disc | Scheibe | Ø450, V55 | 7400- |
| 11 | 459608 | Tallrik | Disc | Scheibe | Ø432, V55 | -7399 |
| 12 | 484304 | Tallriksarm, inkl. nav | Disc arm, incl. Hub | Scheibenarm, einschl. Nabe | NW | 9350-10168 |
| 12 | 470471 | Tallriksarm, inkl. nav | Disc arm, incl. Hub | Scheibenarm, einschl. Nabe | NW | 7400-9349 |
| 12 | 451070 | Tallriksarm, inkl. nav | Disc arm, incl. Hub | Scheibenarm, einschl. Nabe | NW | -7399 |
| 13 | 484303 | Tallriksarm, inkl. nav | Disc arm, incl. Hub | Scheibenarm, einschl. Nabe | NW | 9350-10168 |
| 13 | 470470 | Tallriksarm, inkl. nav | Disc arm, incl. Hub | Scheibenarm, einschl. Nabe | NW | 7400-9349 |
| 13 | 451067 | Tallriksarm, inkl. nav | Disc arm, incl. Hub | Scheibenarm, einschl. Nabe | NW | -7399 |
| 14 | 446637 | Axel | Axle | Achse | FR | CR 400 |
| 14 | 459715 | Axel | Axle | Achse | FR | CR 350 |
| 14 | 447429 | Axel | Axle | Achse | FR | CR 300 |
| 15 | 50001604511 | Skruv | Screw | Schraube | M16x45 | |
| 16 | 51011200021 | Låsmutter | Lock nut | Sicherungsmutter | M12 | |
| 17 | 51021600021 | Låsmutter | Lock nut | Sicherungsmutter | M16 | |
| 18 | 54021900091 | Låsring | Circlip | Springring | RS19 | |
| 19 | 445483 | Mutter | Nut | Mutter | M22 | |
| 20 | 424916 | Plastkåpa | Plastic cap | Kunststoffdeckel | | |
| 21 | 470974 | Hubb | Hub | Hub | | 7400-9349 |
| 21 | 440488 | Hubb | Hub | Hub | ASSY | -7399 |
| 22 | 448357 | Vantskruv | Rigging screw | Wantschraube | | |
| 23 | 50001604021 | Skruv | Screw | Schraube | M16x40 | |
| 24 | 51031600021 | Mutter | Nut | Mutter | M16 | |
| 25 | 52001600041 | Bricka | Washer | Scheibe | M16 | |
| 26 | 50002410021 | Skruv | Screw | Schraube | M24x100 | |
| 27 | 51022400021 | Låsmutter | Lock nut | Sicherungsmutter | M24 | |
| 28 | 480005 | O-ring | O-ring | Runddichtring | | |
| 29 | 482496 | Hubb | Hub | Hub | ASSY | 9350-10168 |
| 30 | 489815 | Tallriksarm, inkl. nav | Disc arm, incl. Hub | Scheibenarm, einschl. Nabe | | 10169-, REAR |
| 30 | 489817 | Tallriksarm, inkl. nav | Disc arm, incl. Hub | Scheibenarm, einschl. Nabe | | 10169-, NW, REAR |
| 31 | 489816 | Tallriksarm, inkl. nav | Disc arm, incl. Hub | Scheibenarm, einschl. Nabe | | 10169-, FR |
| 31 | 489817 | Tallriksarm, inkl. nav | Disc arm, incl. Hub | Scheibenarm, einschl. Nabe | | 10169-, NW, REAR |

Fig. / Abb. 16



System Disc
System Disc
System DiscCR 300-400
-4099

| Pos | No. | Svenska | English | Deutsch | Dim | |
|-----|-------------|---------------|----------------|-------------------|---------------|--------|
| 1 | 307168 | Överfall | Cover | Führungsplatte | 200 mm | |
| 2 | 307169 | Överfall | Cover | Führungsplatte | 170 mm | |
| 3 | 450991 | Gummistav | Rubber bar | Gummistab | L:190 mm | |
| 4 | 413896 | Plastplugg | Plastic plug | Kunststoffpropfen | 60x60 | |
| 5 | 414846 | Gummistav | Rubber bar | Gummistab | L:170 mm | |
| 6 | 424928 | Skruv, konisk | Screw, tapered | Schraube, konisch | M12x1,25 | |
| 7 | 424961 | O-ring | O-ring | Runddichtring | | |
| 8 | 428571 | Vagnsbult | Carriage bolt | Bolzen | M12x42, 10.9 | |
| 9 | 433627 | Tallriksarm | Disc arm | Scheibenarm | FR | |
| 10 | 433628 | Tallriksarm | Disc arm | Scheibenarm | REAR | |
| 11 | 444687 | Tallrik | Disc | Scheibe | Ø432 mm | |
| 12 | 446671 | Tallriksarm | Disc arm | Scheibenarm | FR, NW, OUT | |
| 13 | 446674 | Tallriksarm | Disc arm | Scheibenarm | REAR, NW, OUT | |
| 14 | 446637 | Axel | Axle | Achse | FR | CR 400 |
| 14 | 459715 | Axel | Axle | Achse | | CR 350 |
| 14 | 447429 | Axel | Axle | Achse | FR | CR 300 |
| 15 | 50001604511 | Skruv | Screw | Schraube | M16x45 | |
| 16 | 51011200021 | Låsmutter | Lock nut | Sicherungsmutter | M12 | |
| 17 | 51021600021 | Låsmutter | Lock nut | Sicherungsmutter | M16 | |
| 18 | 54021900091 | Låsring | Circlip | Springring | RS19 | |
| 19 | 428550 | Mutter | Nut | Mutter | M22x1,5 | |
| 20 | 424916 | Plastkåpa | Plastic cap | Kunststoffdeckel | | |
| 21 | 440488 | Hubb | Hub | Hub | ASSY | |
| 22 | 448357 | Vantskruv | Rigging screw | Wantschraube | | |
| 23 | 50002410021 | Skruv | Screw | Schraube | M24x100 | |
| 24 | 51022400021 | Låsmutter | Lock nut | Sicherungsmutter | M24 | |



Замовлення запчастин
(050)-407-68-47
(050)-407-68-45

Fig. / Abb. 17

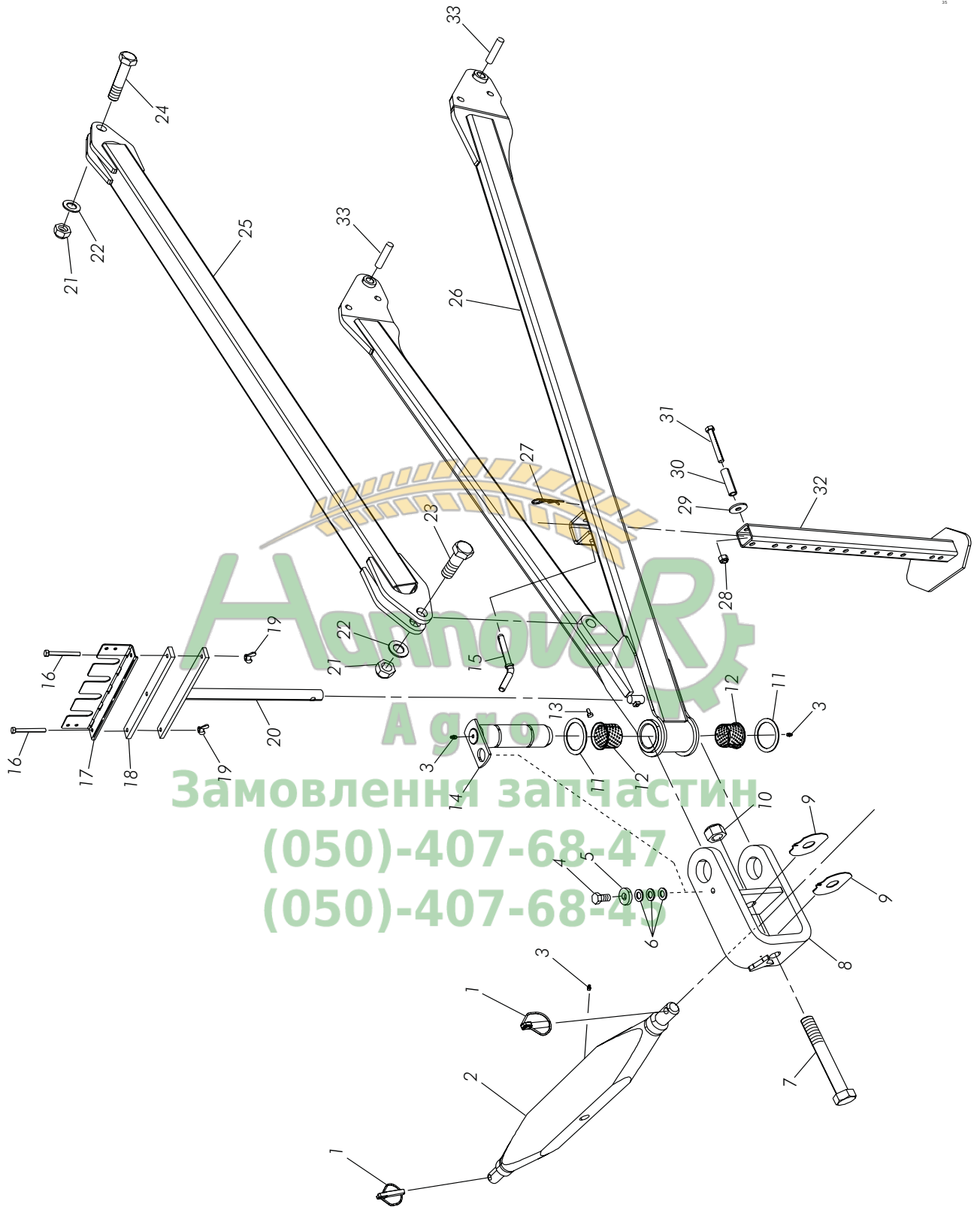


Fig. / Abb. 17

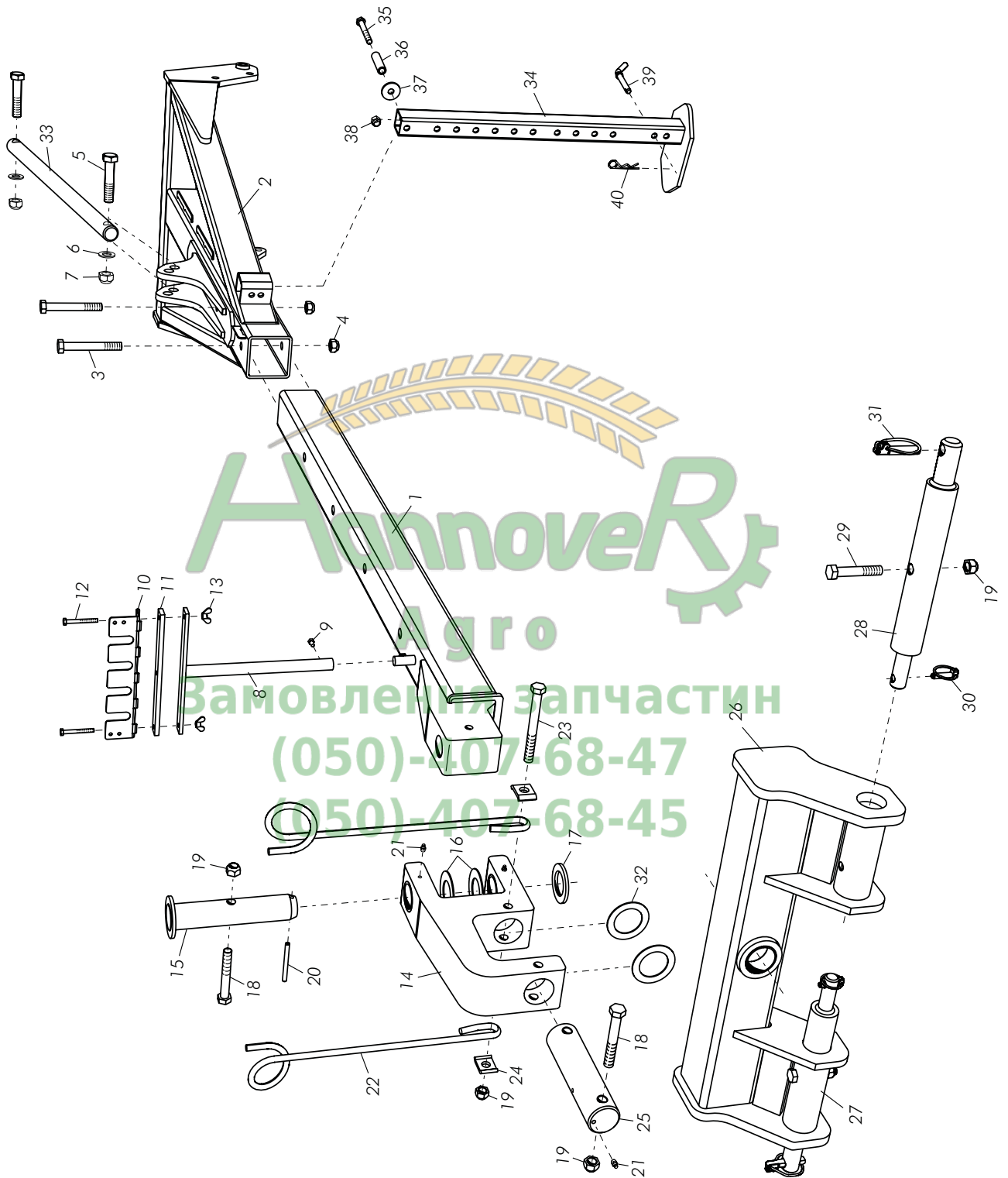
**Drag
Drawbar
Zugdeichsel**

| Pos | No. | Svenska | English | Deutsch | Dim | |
|-----|-------------|--------------------|--------------------|----------------------------|---------------|---------------------|
| 1 | 458792 | Sprint | Pin | Splint | | Category 3 8783- |
| 2 | 470855 | Bäraxel | Beam | Tragachse | | |
| 2 | 482884 | Stag | Stay | Strebe | | |
| 3 | 407661 | Smörjnippel | Grease nipple | Schmiernippel | ST, M8 | |
| 4 | 50001603021 | Skruv | Screw | Schraube | M16x30 | |
| 5 | 52111600041 | Bricka | Washer | Scheibe | M16 | |
| 6 | 52001600041 | Bricka | Washer | Scheibe | M16 | |
| 7 | 415194 | Skruv | Screw | Schraube | M30x205, 10.9 | |
| 8 | 472843 | Krampa | Clamp | Bügel | | |
| 9 | 471089 | Bricka | Washer | Scheibe | | |
| 10 | 51013000021 | Låsmutter | Lock nut | Sicherungsmutter | M30 | |
| 11 | 445315 | Bricka | Washer | Scheibe | | |
| 12 | 445276 | Bussning | Bushing | Buchse | | |
| 13 | 50000801621 | Skruv | Screw | Schraube | M8x16 | |
| 14 | 473256 | Tapp | Stud | Zapfen | | |
| 15 | 401029 | Sprint | Pin | Splint | | |
| 16 | 50010807021 | Skruv | Screw | Schraube | M8x70 | |
| 17 | 427221 | Plåt, slanghållare | Plate, hose clamp | Blech, Schlauchhalterung | | |
| 18 | 427218 | Slanghållargummi | Hose holder rubber | Gummistück, Schlauchhalter | | |
| 19 | 51050800021 | Vingmutter | Wing nut | Flügelmutter | M8 | |
| 20 | 427222 | Slanghållare | Hose holder | Schlauchhalter | | |
| 21 | 51023000011 | Låsmutter | Lock nut | Sicherungsmutter | M30 | |
| 22 | 52003000041 | Bricka | Washer | Scheibe | M30 | |
| 23 | 465323 | Skruv | Screw | Schraube | M30x90, 10.9 | |
| 24 | 430743 | Skruv | Screw | Schraube | M30x140, 10.9 | |
| 25 | 473365 | Tryckstång | Push rod | Druckstange | | |
| 26 | 476616 | Drag | Draw-bar | Deichsel | | 9348- -9347 |
| 26 | 473123 | Drag | Draw-bar | Deichsel | | |
| 27 | 405080 | Låsnål | Locking pin | Arretierstift | | |
| 28 | 51011600021 | Låsmutter | Lock nut | Sicherungsmutter | M16 | |
| 29 | 52141600041 | Bricka | Washer | Scheibe | 17,5x56x5 | |
| 30 | 440418 | Distansrör | Distance tube | Distanz Rohr | | |
| 31 | 50001612021 | Skruv | Screw | Schraube | M16x120 | |
| 32 | 454452 | Stödben | Support | Stützbein | | |
| 33 | 479866 | Hylsa | Sleeve | Hülse | | 9348- |

(050)-407-68-47

(050)-407-68-45

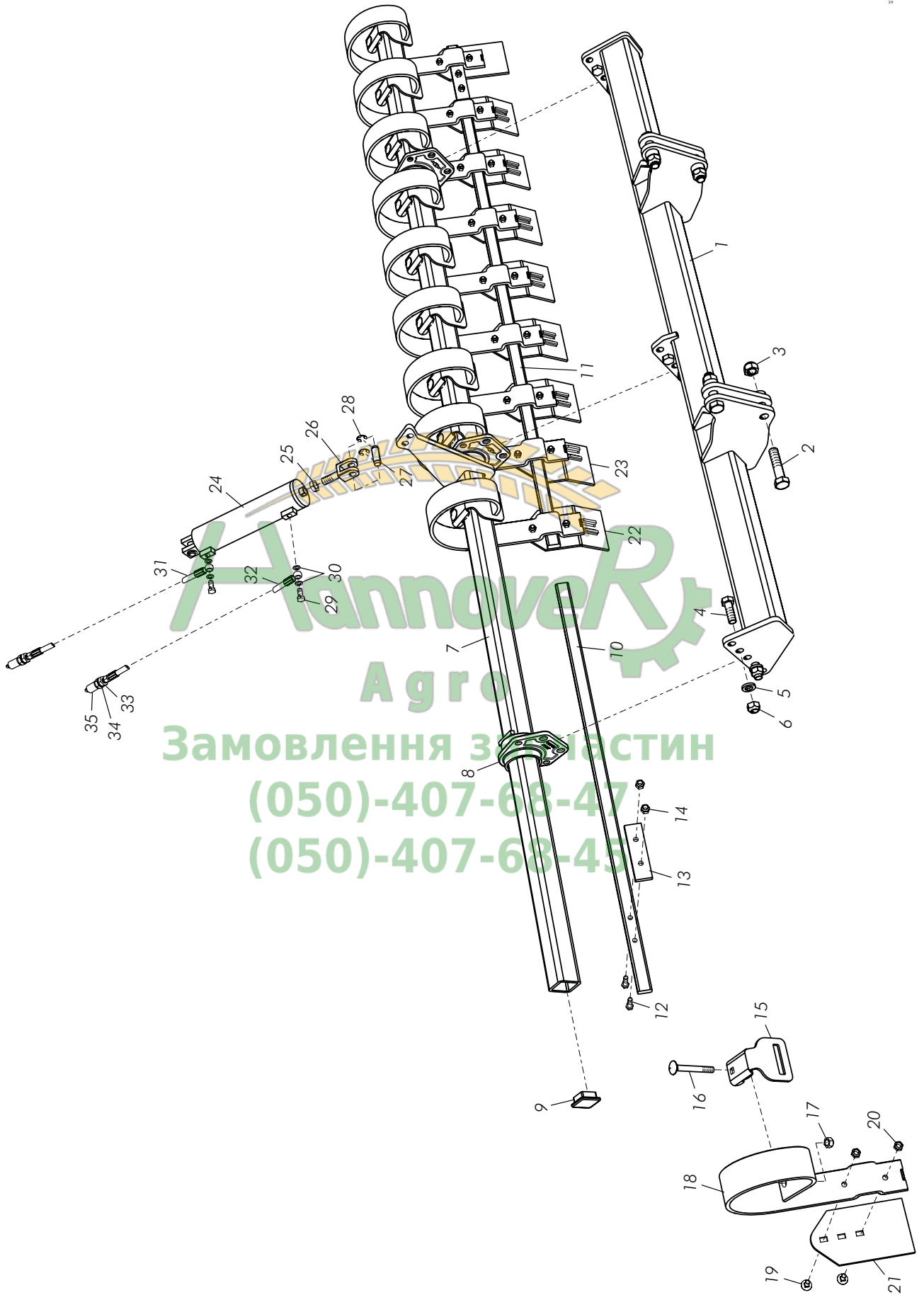
Fig. / Abb. 18



**Drag
Drawbar
Zugdeichsel**

| Pos | No. | Svenska | English | Deutsch | Dim | |
|-----|-------------|--------------------|--------------------|----------------------------|---------------|-------|
| 1 | 465938 | Dragrör | Draw-bar tube | Rohr | | |
| 2 | 465931 | Drag | Draw-bar | Deichsel | | |
| 3 | 50002418021 | Skruv | Screw | Schraube | M24x180 | |
| 4 | 51022400021 | Låsmutter | Lock nut | Sicherungsmutter | M24 | |
| 5 | 430743 | Skruv | Screw | Schraube | M30x140, 10.9 | 7400- |
| 5 | 466986 | Skruv | Screw | Schraube | M30x145, 10.9 | -7399 |
| 6 | 52003000041 | Bricka | Washer | Scheibe | M30 | |
| 7 | 51023000011 | Låsmutter | Lock nut | Sicherungsmutter | M30 | |
| 8 | 427222 | Slanghållare | Hose holder | Schlauchhalter | | |
| 9 | 50000801621 | Skruv | Screw | Schraube | M8x16 | |
| 10 | 427221 | Plåt, slanghållare | Plate, hose clamp | Blech, Schlauchhalterung | | |
| 11 | 427218 | Slanghållargummi | Hose holder rubber | Gummistück, Schlauchhalter | | |
| 12 | 50010807021 | Skruv | Screw | Schraube | M8x70 | |
| 13 | 51050800021 | Vingmutter | Wing nut | Flügelmutter | M8 | |
| 14 | 307184 | Fäste | Bracket | Halterung | | |
| 15 | 307190 | Axel | Axle | Achse | | |
| 16 | 419057 | Bricka | Washer | Scheibe | | |
| 17 | 419062 | Bricka | Washer | Scheibe | | |
| 18 | 50001611021 | Skruv | Screw | Schraube | M16x110 | |
| 19 | 51021600021 | Låsmutter | Lock nut | Sicherungsmutter | M16 | |
| 20 | 53000809091 | Spännstift | Roll pin | Spannstift | Ø8x90 | |
| 21 | 407661 | Smörjnippel | Grease nipple | Schmiernippel | ST, M8 | |
| 22 | 307190 | Axel | Axle | Achse | | |
| 23 | 50001615021 | Skruv | Screw | Schraube | M16x150 | |
| 24 | 419083 | Bricka | Washer | Scheibe | | |
| 25 | 307182 | Axel | Axle | Achse | | |
| 26 | 467363 | Balk | Beam | Träger | | |
| 27 | 415894 | Hylsa | Sleeve | Hülse | | |
| 28 | 307181 | Axel | Axle | Achse | | |
| 29 | 50001609021 | Skruv | Screw | Schraube | M16x90 | |
| 30 | 401971 | Ringsprint | Locking ring | Ringbolzen | Ø10x40 | |
| 31 | 458792 | Sprint | Pin | Splint | | |
| 32 | 419056 | Bricka | Washer | Scheibe | 2 mm | |
| 33 | 466792 | Rundstång | Round bar | Rundstange | | |
| 34 | 454452 | Stödben | Support | Stützbein | | |
| 35 | 50001612021 | Skruv | Screw | Schraube | M16x120 | |
| 36 | 440418 | Distansrör | Distance tube | Distanz Rohr | | |
| 37 | 52141600041 | Bricka | Washer | Scheibe | 17,5x56x5 | |
| 38 | 51011600021 | Låsmutter | Lock nut | Sicherungsmutter | M16 | |
| 39 | 401029 | Sprint | Pin | Splint | | |
| 40 | 405080 | Låsnaål | Locking pin | Arretierstift | | |

Fig. / Abb. 19

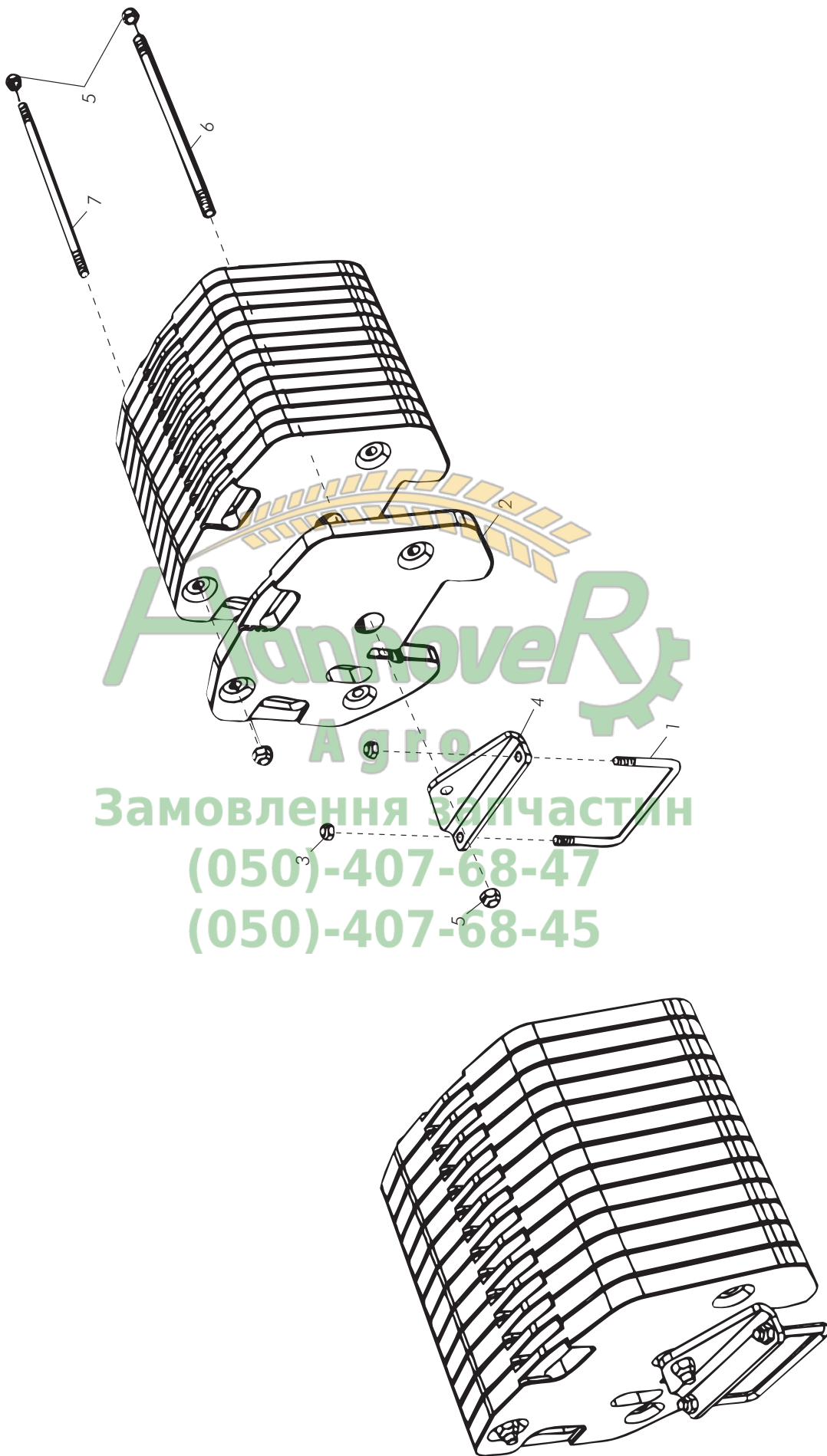


Замовлення за частин
(050)-407-68-47
(050)-407-68-45

**Cross Board
Cross Board
Cross Board**

CR 300-400

| Pos | No. | Svenska | English | Deutsch | Dim | |
|-----|-------------|--------------------|---------------------|----------------------|-----------------|--------|
| 1 | 464127 | Ram | Frame | Rahmen | | |
| 2 | 465328 | Skruv | Screw | Schraube | M24x105, 10.9 | |
| 3 | 51022400021 | Låsmutter | Lock nut | Sicherungsmutter | M24 | |
| 4 | 50002006021 | Skruv | Screw | Schraube | M20x60 | |
| 5 | 52122136641 | Bricka | Washer | Scheibe | | |
| 6 | 51022000021 | Låsmutter | Lock nut | Sicherungsmutter | M20 | |
| 7 | 463890 | Axel | Axle | Achse | | CR 400 |
| 7 | 465601 | Axel | Axle | Achse | | CR 350 |
| 7 | 465600 | Axel | Axle | Achse | | CR 300 |
| 8 | 440769 | Fäste | Bracket | Halterung | | |
| 9 | 413896 | Plastplugg | Plastic plug | Kunststoffpfropfen | 60x60 | |
| 10 | 440604 | Plattstång | Flat bar steel | Flachstahl | | |
| 11 | 433517 | Stag | Stay | Strebe | L:2138 | CR 400 |
| 11 | 433516 | Stag | Stay | Strebe | CR | CR 350 |
| 11 | 434118 | Stag, hjulsektion | Stay, wheel section | Strebe, radsektion | L:1150 | CR 300 |
| 12 | 50001205021 | Skruv | Screw | Schraube | M12x50 | |
| 13 | 422403 | Plattjärn | Flat bar | Flachstahl | | |
| 14 | 51011200021 | Låsmutter | Lock nut | Sicherungsmutter | M12 | |
| 15 | 306878 | Pinnfäste | Tine bracket | Zinkenträger | ANG | |
| 16 | 50061412021 | Vagnsbult | Carriage bolt | Bolzen | M14x120 | |
| 17 | 51011400021 | Låsmutter | Lock nut | Sicherungsmutter | M14, Nyloc | |
| 18 | 441344 | Pinne | Tine | Zinken | Crossboard | |
| 19 | 50061203521 | Vagnsbult | Carriage bolt | Bolzen | M12x35 | |
| 20 | 51011200021 | Låsmutter | Lock nut | Sicherungsmutter | M12 | |
| 21 | 425587 | Spets | Tip | Spitze | ST, 150 mm | |
| 22 | 440603 | Spets | Tip | Spitze | ANG, B:150 mm | |
| 23 | 442008 | Spets | Tip | Spitze | ANG, B:150 mm | |
| 24 | 422237 | Hydraulcylinder | Hydraulic ram | Hydraulikzylinder | D:80/28 | |
| 24 | 421315 | Tätningssats | Sealing set | Dichtungssatz | | |
| 24 | 422756 | Cylinderrör | Ram tube | Zylinderrohr | | |
| 24 | 422757 | Kolvstång | Piston rod | Kolbenstange | | |
| 24 | 421318 | Kolvstångsstyrning | Piston rod guide | Kolbenstangenführung | | |
| 25 | 51032000021 | Mutter | Nut | Mutter | M20 | |
| 26 | 421292 | Gaffellänk | Fork link | Gabelstück | | |
| 27 | 411260 | Axel | Axle | Achse | Ø20x60 | |
| 28 | 54021500091 | Låsring | Circlip | Springring | RS15 | |
| 29 | 406751 | Hålskruv, banjo | Hole screw, banjo | Hohlschraube, Banjo | 1/4" | |
| 30 | 402202 | Gummistålbricka | Rubber steel washer | Gummistahlscheibe | 1/4" | |
| 31 | 465718 | Hydraulslang | Hydraulic hose | Hydraulikschlauch | DI:1/4", L:3300 | |
| 32 | 465719 | Hydraulslang | Hydraulic hose | Hydraulikschlauch | DI:1/4", L:3600 | |
| 33 | 401776 | Snabbkoppling | Quick coupling | Schnellkupplung | ML, 1/2" | |
| 34 | 401774 | Gummistålbricka | Rubber steel washer | Gummistahlscheibe | 1/2" | |
| 35 | 401782 | Nippel | Nipple | Nippel | 1/4"-1/2" | |



Агросервіс
Замовлення запчастин
(050)-407-68-47
(050)-407-68-45

Belastningsvikter
Load weight
Belastungsgewicht

CR 300-400

| Pos | No. | Svenska | English | Deutsch | Dim | |
|-----|-------------|-----------|--------------|------------------|-------|------------|
| 1 | 410096 | Krampa | Clamp | Krampe | M16 | |
| 2 | 423200 | Vikt | Weight | Gewicht | 40 kg | |
| 3 | 51021600021 | Låsmutter | Lock nut | Sicherungsmutter | M16 | |
| 4 | 447411 | Plåt | Plate | Blech | LH | |
| 4 | 447399 | Plåt | Plate | Blech | RH | |
| 5 | 51022000021 | Låsmutter | Lock nut | Sicherungsmutter | M20 | |
| 6 | 462315 | Gångstång | Threaded bar | Gewindestange | | 5 weights |
| 6 | 447372 | Ledbult | Pin bolt | Gelenkbolzen | | 10 weights |
| 6 | 447374 | Ledbult | Pin bolt | Gelenkbolzen | | 13 weights |
| 7 | 462315 | Gångstång | Threaded bar | Gewindestange | | 5 weights |
| 7 | 447371 | Ledbult | Pin bolt | Gelenkbolzen | | 10 weights |
| 7 | 447373 | Ledbult | Pin bolt | Gelenkbolzen | | 13 weights |



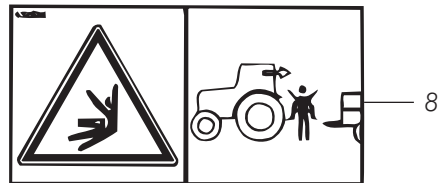
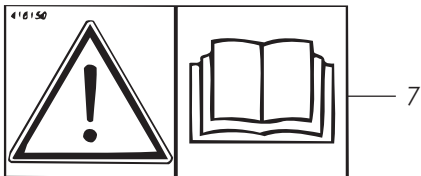
Замовлення запчастин

(050)-407-68-47

(050)-407-68-45



Замовлення запчастин
(050)-407-68-47
(050)-407-68-47



Dekaler
Decals
Aufklaber

CR 300-400

| Pos | No. | Svenska | English | Deutsch | Dim | |
|-----|--------|-------------------|---------------------|--------------------------|--------|--------|
| 1 | 411128 | Dekal "Väderstad" | Sticker "Väderstad" | Aufkleber "Väderstad" | 490x70 | |
| 2 | 449733 | Dekal | Sticker | Aufkleber | | CR 300 |
| 3 | 449734 | Dekal | Sticker | Aufkleber | | CR 400 |
| 4 | 459721 | Dekal | Sticker | Aufkleber | | CR 350 |
| 5 | 405760 | Dekal "Lyft här" | Sticker "Lift here" | Aufkleber "hier anheben" | 60x40 | |
| 6 | 446585 | Dekal | Sticker | Aufkleber | | |
| 7 | 416150 | Varningsdekal | Warning sticker | Warnungs-Aufkleber | | |
| 8 | 432526 | Varningsdekal | Warning sticker | Warnungs-Aufkleber | | |

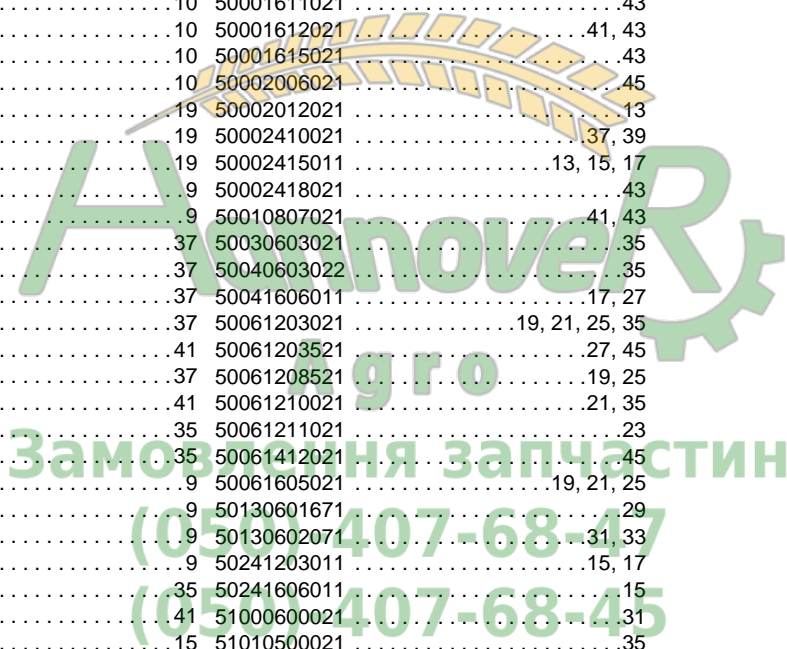




| No. | Page no. | No. | Page no. | No. | Page no. |
|--------|-----------------------|--------|--------------------|--------|-----------|
| 306878 | 45 | 426600 | 21, 35 | 447544 | 31, 33 |
| 307168 | 37, 39 | 427218 | 41, 43 | 447652 | 9 |
| 307169 | 37, 39 | 427221 | 41, 43 | 447709 | 13 |
| 307181 | 43 | 427222 | 41, 43 | 447805 | 13 |
| 307182 | 43 | 428236 | 10 | 447925 | 9 |
| 307184 | 43 | 428550 | 39 | 447929 | 10 |
| 307190 | 43 | 428571 | 37, 39 | 448357 | 37, 39 |
| 307388 | 31, 33 | 428621 | 35 | 449066 | 9 |
| 307389 | 31, 33 | 428622 | 35 | 449733 | 49 |
| 307392 | 29, 31, 33 | 428625 | 35 | 449734 | 49 |
| 307393 | 29, 31, 33, 35 | 428721 | 13 | 450432 | 21 |
| 307395 | 29, 31, 33 | 429694 | 29, 31, 33 | 450470 | 31 |
| 307396 | 29, 31, 33 | 430743 | 13, 15, 17, 41, 43 | 450508 | 31 |
| 400524 | 35 | 431299 | 35 | 450911 | 37 |
| 400965 | 9 | 432526 | 49 | 450912 | 37 |
| 401029 | 41, 43 | 433110 | 29 | 450928 | 19, 21 |
| 401762 | 35 | 433516 | 45 | 450991 | 37, 39 |
| 401774 | 10, 45 | 433517 | 45 | 451067 | 37 |
| 401776 | 10, 45 | 433627 | 39 | 451070 | 37 |
| 401782 | 10, 45 | 433628 | 39 | 451345 | 19, 21 |
| 401789 | 10 | 434118 | 45 | 451404 | 19, 21 |
| 401971 | 43 | 434137 | 23 | 451762 | 19, 21 |
| 402202 | 10, 45 | 434138 | 23 | 452693 | 9 |
| 402203 | 10 | 440418 | 41, 43 | 453892 | 9 |
| 403535 | 9 | 440488 | 37, 39 | 453893 | 9 |
| 405080 | 41, 43 | 440603 | 45 | 454400 | 9 |
| 405760 | 49 | 440604 | 45 | 454452 | 41, 43 |
| 406751 | 10, 45 | 440769 | 45 | 457429 | 29 |
| 407661 | 9, 13, 41, 43 | 440972 | 13 | 457560 | 29 |
| 410096 | 47 | 440973 | 13 | 458603 | 9, 17, 21 |
| 411128 | 49 | 441344 | 45 | 458792 | 41, 43 |
| 411260 | 45 | 441937 | 13 | 459608 | 37 |
| 411300 | 10 | 442008 | 45 | 459712 | 9 |
| 411301 | 10 | 442340 | 13 | 459715 | 37, 39 |
| 411916 | 10 | 442341 | 13 | 459717 | 13 |
| 412895 | 29, 31, 33, 35 | 443677 | 21, 23, 27 | 459720 | 13 |
| 413339 | 29, 31, 33, 35 | 443772 | 13 | 459721 | 49 |
| 413376 | 31, 33 | 443794 | 21, 23, 27 | 459723 | 21, 23 |
| 413499 | 29, 31, 33, 35 | 444687 | 39 | 460163 | 21 |
| 413896 | 9, 21, 23, 37, 39, 45 | 445244 | 21, 23 | 460164 | 21 |
| 414650 | 10 | 445276 | 41 | 460191 | 21 |
| 414846 | 37, 39 | 445315 | 41 | 460349 | 27 |
| 415194 | 41 | 445483 | 37 | 460517 | 27 |
| 415894 | 43 | 446520 | 9 | 460642 | 27 |
| 416150 | 49 | 446527 | 13 | 461262 | 37 |
| 419056 | 43 | 446585 | 49 | 461802 | 13 |
| 419057 | 43 | 446605 | 10 | 461972 | 15, 17 |
| 419062 | 43 | 446637 | 37, 39 | 461991 | 15, 17 |
| 419083 | 43 | 446671 | 39 | 461992 | 15, 17 |
| 421292 | 45 | 446674 | 39 | 461993 | 17 |
| 421315 | 45 | 446695 | 29, 31, 33 | 462315 | 47 |
| 421318 | 45 | 446884 | 9 | 463613 | 17 |
| 421434 | 31, 33 | 446885 | 10 | 463890 | 45 |
| 421460 | 31, 33, 35 | 447058 | 13 | 464127 | 45 |
| 422184 | 33 | 447344 | 13 | 464350 | 17 |
| 422237 | 45 | 447371 | 47 | 464361 | 27 |
| 422403 | 45 | 447372 | 47 | 464362 | 27 |
| 422463 | 13 | 447373 | 47 | 465298 | 9 |
| 422464 | 13 | 447374 | 47 | 465299 | 9 |
| 422663 | 31, 33 | 447399 | 47 | 465300 | 10 |
| 422756 | 45 | 447411 | 47 | 465311 | 10 |
| 422757 | 45 | 447422 | 9 | 465317 | 10 |
| 423194 | 33 | 447423 | 13 | 465322 | 13, 17 |
| 423195 | 33 | 447429 | 37, 39 | 465323 | 9, 41 |
| 423200 | 47 | 447430 | 21, 23 | 465328 | 45 |
| 424916 | 37, 39 | 447525 | 9 | 465481 | 9 |
| 424928 | 39 | 447526 | 9 | 465486 | 19 |
| 424961 | 37, 39 | 447540 | 10 | 465600 | 45 |
| 425587 | 45 | 447541 | 10 | 465601 | 45 |
| 426080 | 23 | 447542 | 10 | 465718 | 45 |

INDEX

| No. | Page no. | No. | Page no. | No. | Page no. |
|--------|----------|-------------|----------------------------|-------------|----------------|
| 465719 | 45 | 484301 | 37 | 52062400094 | 13 |
| 465829 | 17 | 484302 | 37 | 52111600041 | 19, 21, 25, 41 |
| 465886 | 9 | 484303 | 37 | 52122136641 | 45 |
| 465889 | 15, 17 | 484304 | 37 | 52141600041 | 41, 43 |
| 465931 | 43 | 487397 | 9 | 53000603591 | 13 |
| 465938 | 43 | 489815 | 37 | 53000809091 | 43 |
| 466285 | 29 | 489816 | 37 | 54021500091 | 45 |
| 466293 | 9 | 489817 | 37 | 54021900091 | 37, 39 |
| 466294 | 9 | 50000602021 | 31, 33 | | |
| 466295 | 9 | 50000602521 | 29 | | |
| 466297 | 13 | 50000603021 | 35 | | |
| 466298 | 13 | 50000606021 | 10, 35 | | |
| 466299 | 13 | 50000801621 | 41, 43 | | |
| 466792 | 43 | 50000805021 | 10 | | |
| 466947 | 37 | 50001011021 | 9 | | |
| 466986 | 43 | 50001205021 | 45 | | |
| 467363 | 43 | 50001602021 | 9 | | |
| 467818 | 25 | 50001603021 | 41 | | |
| 467951 | 25 | 50001604021 | 9, 37 | | |
| 468101 | 9 | 50001604511 | 37, 39 | | |
| 468113 | 15 | 50001609021 | 43 | | |
| 468587 | 10 | 50001611021 | 43 | | |
| 468588 | 10 | 50001612021 | 41, 43 | | |
| 469034 | 10 | 50001615021 | 43 | | |
| 469035 | 10 | 50002006021 | 45 | | |
| 470058 | 19 | 50002012021 | 13 | | |
| 470059 | 19 | 50002410021 | 37, 39 | | |
| 470060 | 19 | 50002415011 | 13, 15, 17 | | |
| 470462 | 9 | 50002418021 | 43 | | |
| 470463 | 9 | 50010807021 | 41, 43 | | |
| 470468 | 37 | 50030603021 | 35 | | |
| 470469 | 37 | 50040603022 | 35 | | |
| 470470 | 37 | 50041606011 | 17, 27 | | |
| 470471 | 37 | 50061203021 | 19, 21, 25, 35 | | |
| 470855 | 41 | 50061203521 | 27, 45 | | |
| 470974 | 37 | 50061208521 | 19, 25 | | |
| 471089 | 41 | 50061210021 | 21, 35 | | |
| 471132 | 35 | 50061211021 | 23 | | |
| 471133 | 35 | 50061412021 | 45 | | |
| 471287 | 9 | 50061605021 | 19, 21, 25 | | |
| 471288 | 9 | 50130601671 | 29 | | |
| 471289 | 9 | 50130602071 | 31, 33 | | |
| 471294 | 9 | 50241203011 | 15, 17 | | |
| 471539 | 35 | 50241606011 | 15 | | |
| 472843 | 41 | 51000600021 | 31 | | |
| 473107 | 15 | 51010500021 | 35 | | |
| 473123 | 41 | 51010600021 | 10, 29, 31, 33, 35 | | |
| 473256 | 41 | 51010800021 | 10 | | |
| 473365 | 41 | 51011000021 | 9 | | |
| 473824 | 25 | 51011200021 | 21, 23, 27, 29, | | |
| 473825 | 25 | | 35, 37, 39, 45 | | |
| 473826 | 25 | 51011400021 | 45 | | |
| 473827 | 25 | 51011600021 | 41, 43 | | |
| 473828 | 25 | 51013000021 | 41 | | |
| 473829 | 25 | 51021600011 | 15, 17, 27 | | |
| 473883 | 15 | 51021600021 | 9, 13, 19, 21, 23, | | |
| 473884 | 15 | | 25, 35, 37, 39, 43, 47 | | |
| 474168 | 35 | 51022000021 | 9, 13, 45, 47 | | |
| 476616 | 41 | 51022400021 | 13, 15, 17, 37, 39, 43, 45 | | |
| 479454 | 19 | 51023000011 | 9, 13, 15, 17, 41, 43 | | |
| 479866 | 41 | 51030602071 | 35 | | |
| 480005 | 37 | 51031600021 | 9, 37 | | |
| 480463 | 9 | 51032000021 | 45 | | |
| 480467 | 9 | 51050800021 | 41, 43 | | |
| 482496 | 37 | 51071200021 | 25 | | |
| 482884 | 41 | 51131200011 | 19, 25 | | |
| 483662 | 35 | 52000600041 | 10, 31, 35 | | |
| 484193 | 35 | 52001600041 | 9, 35, 37, 41 | | |
| 484266 | 35 | 52003000041 | 9, 13, 15, 17, 41, 43 | | |
| 484272 | 35 | 52030600091 | 31 | | |





Замовлення запчастин

(050)-407-68-47

(050)-407-68-45



Замовлення запчастин

(050)-407-68-47

(050)-407-68-45



590 21 VÄDERSTAD

Telefon 0142-820 00
Telefax 0142-820 10
www.vaderstad.com

**S-590 21 VÄDERSTAD
SWEDEN**

Telephone +46 142 820 00
Telefax +46 142 820 10