

Замовлення за частини **RS-C 700/1400**

**(050)-407-68-47**

**(050)-407-68-45**

### **Spare Parts Manual**

Prod. Series nr (from)	77102-01
Production year (from)	2002
Mach. ID	2102-2103





RS-C 700/1400

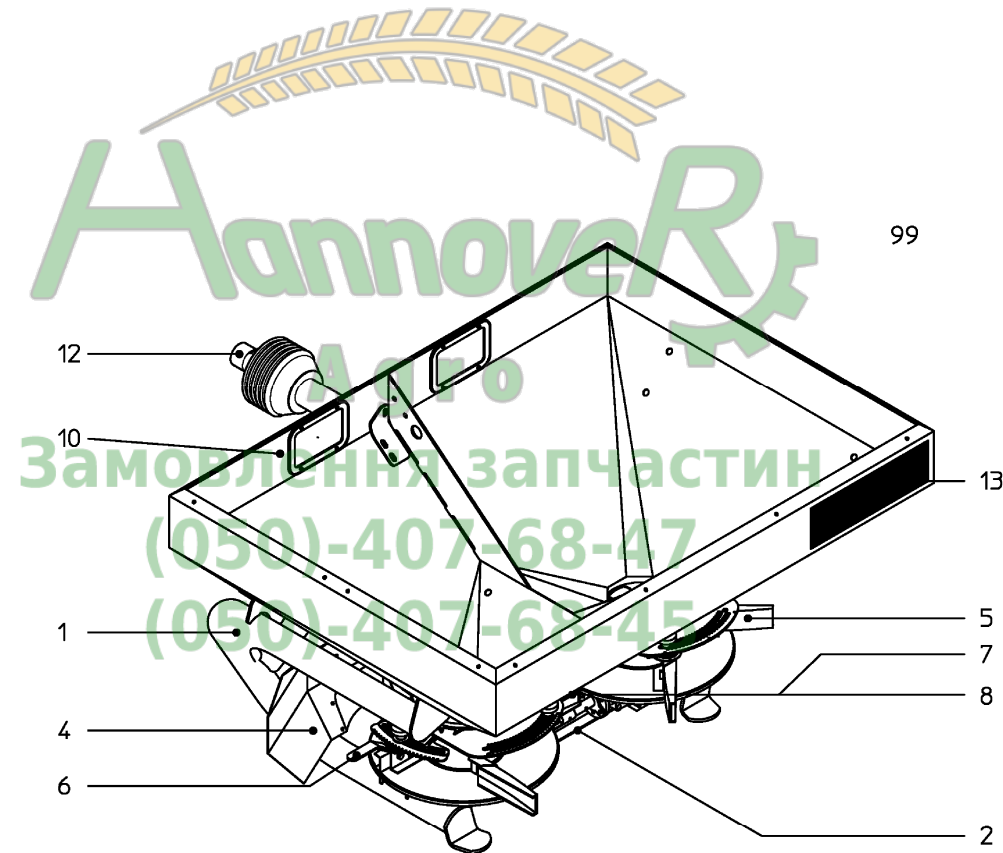
Page 0.1

© Kverneland Group

Series: 77102-01; Production year from: 2002; Mach. ID: 2102-2103

Date 07.11.2007 9:44

Pos-no	Assembly group	Page
1	FRAME	1
2	DRIVE	2
4	PROTECTION	3
5	DISC	4
6	DOSAGE	5
7	BEDIENING	6
8	BEDIENING	7
10	HOPPER AND SIEVE	8
12	UNIV. JOINT SHAFT	9
13	DECAL SCHEMATIC	10
99	ACCESSORIES	11
99	LIGHTING SET	12
99	HOPPER EXTENSION	13
99	HOPPER EXTENSION	14
99	LOWER LINKAGE	15
99	TRAMLINE CILINDERSET	16
99	FRACTION METER	17
99	21 MTR. SET	18
99	TARPAULIN	19
99	BOUNDARY SPREADING PLATE	20
99	HOSE KIT DOUBLE ACTING	21
99	DOUBLE 2-WAY VOLVE	22
99	FINE APPLICATION KIT	23
99	ACCUMULATORSET	24
99	SIEVE	25
99	CALIBRATION CONTAINER	26





RS-C 700/1400: FRAME

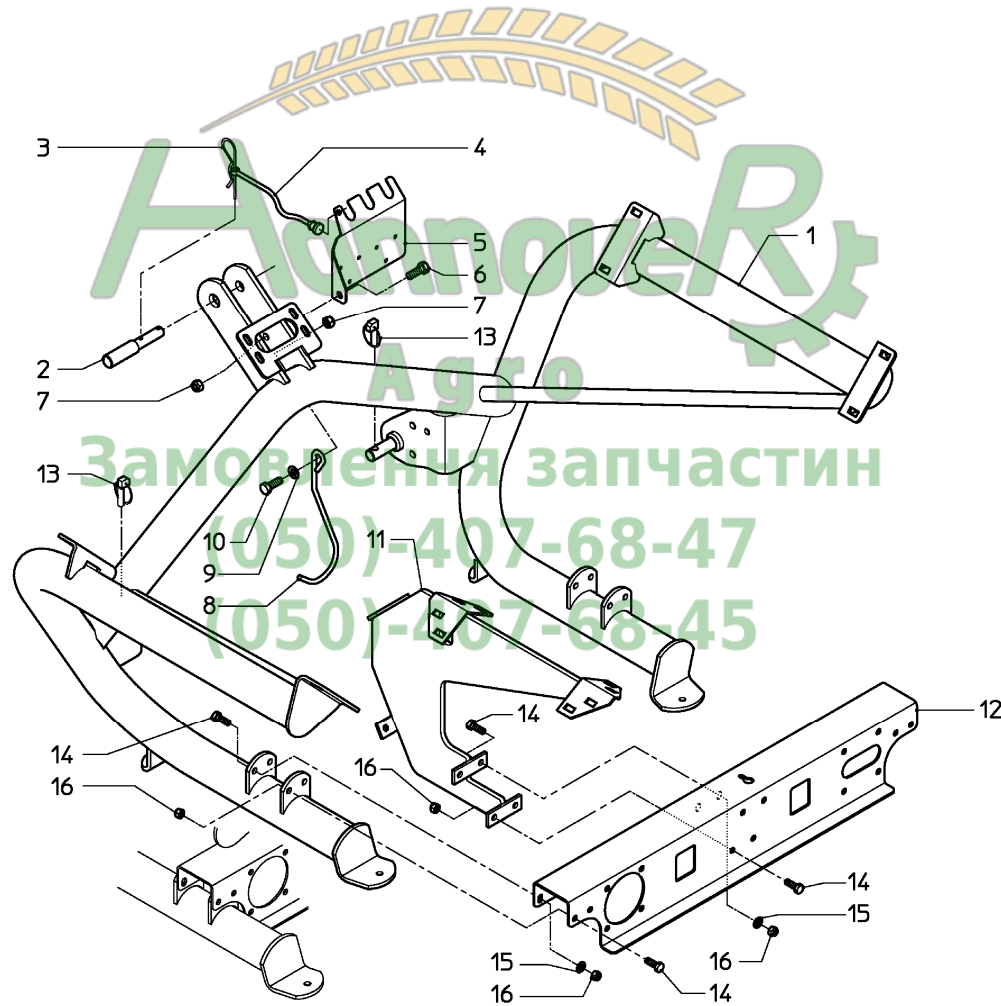
Page 1

© Kverneland Group

Series: 77102-01; Production year from: 2002; Mach. ID: 2102-2103

Date 07.11.2007 9:44

Pos-no	Part-no	Qty
1	VNB2794586	1
2	VN90043838	1
3	VNB0765393	1
4	VNB0870178	1
5	VNB1665294	1
6	KG00500900	1
7	KG01070100	2
8	VNB2332694	1
9	KG01264100	1
10	KG00501100	1
11	VNB2757186	1
12	VNB2332786	1
13	VNB0765193	2
14	KG00498700	12
15	KG01264000	6
16	KG01070000	12





RS-C 700/1400: DRIVE

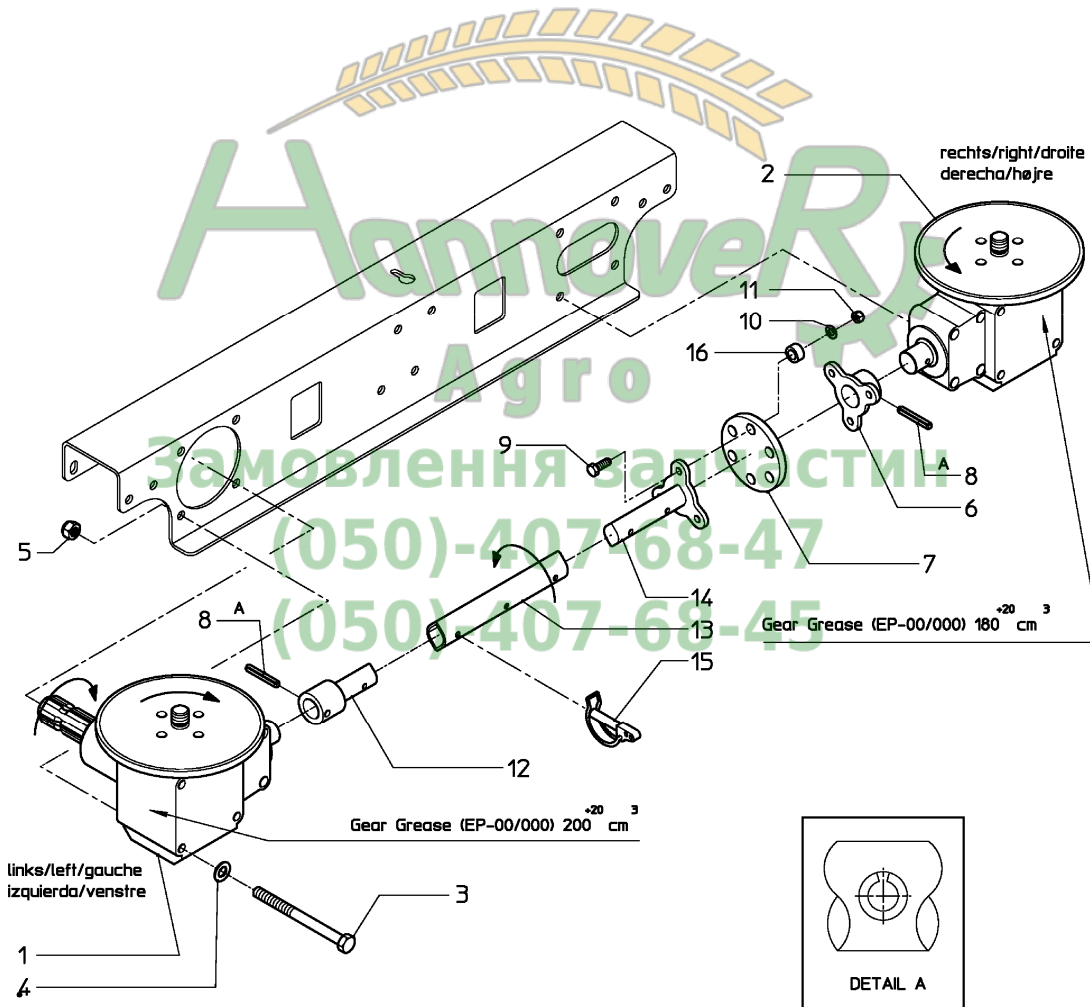
Page 2

© Kverneland Group

Series: 77102-01; Production year from: 2002; Mach. ID: 2102-2103

Date 07.11.2007 9:44

Pos-no	Part-no	Qty
1	VNB2530694	1
2	VNB2530294	1
3	KG00397400	8
4	KG01264000	8
5	KG01070000	8
6	VNB1593594	1
7	VNB2417578	1
8	KG01204300	2
9	KG00497200	6
10	KG01263900	6
11	KG01069900	6
12	VNB2417293	1
13	VNB2333394	1
14	VNB1818693	1
15	VNB0682993	1
16	VNB2417602	6





RS-C 700/1400: PROTECTION

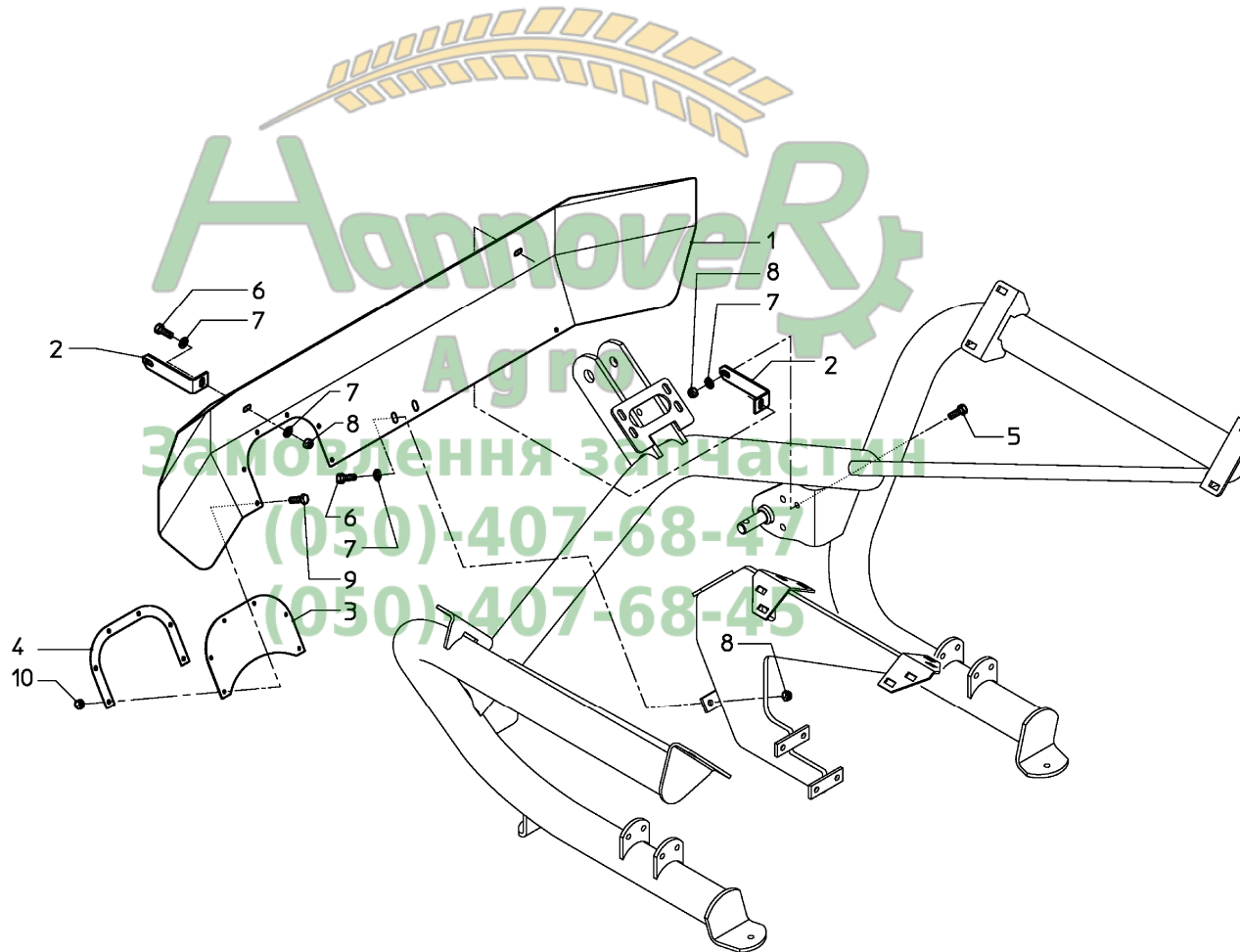
Page 3

© Kverneland Group

Series: 77102-01; Production year from: 2002; Mach. ID: 2102-2103

Date 07.11.2007 9:44

Pos-no	Part-no	Qty
1	VNB2332894	1
2	VNB2332994	2
3	VNB2333078	1
4	VNB2333186	1
5	KG00498900	2
6	KG00498700	6
7	KG01264000	10
8	KG01070000	8
9	KG00494900	6
10	KG01069800	6





RS-C 700/1400: DISC

Page

4

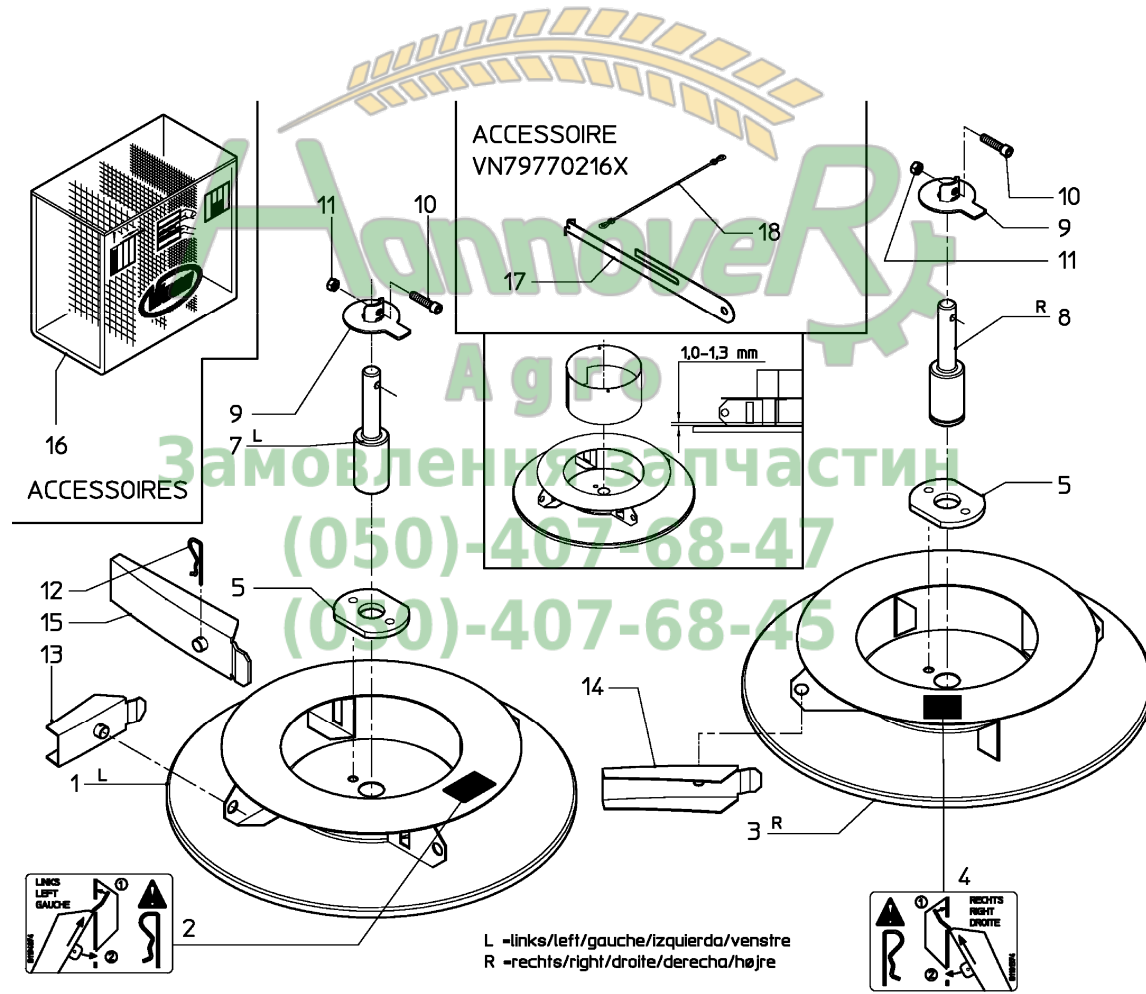
© Kverneland Group

Series: 77102-01; Production year from: 2002; Mach. ID: 2102-2103

Date

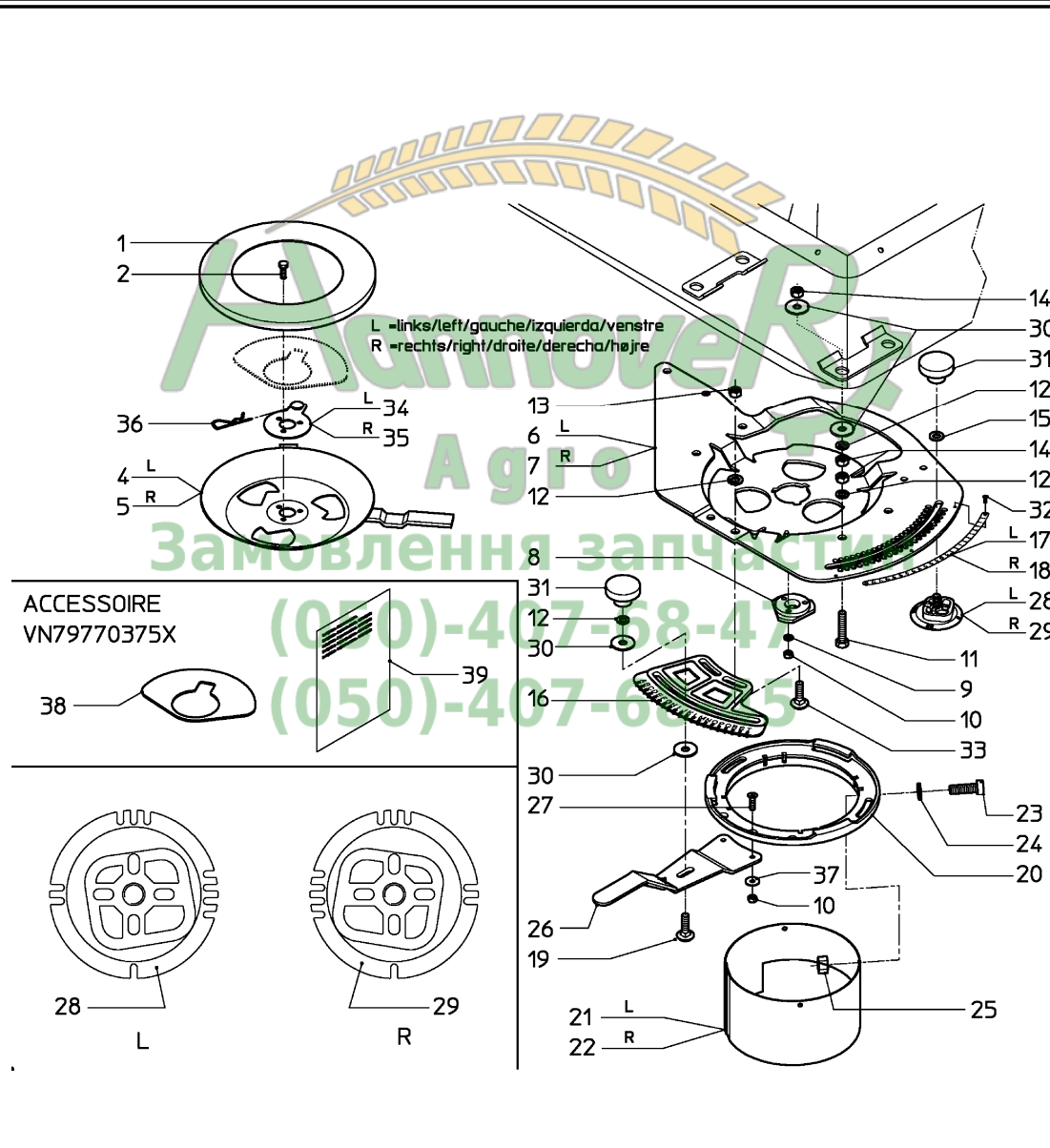
07.11.2007 9:44

Pos-no	Part-no	Qty
1	VNB2307802	1
2	VNB1194874	1
3	VNB2308002	1
4	VNB1181374	1
5	VNB2333494	2
7	VNB2493094	1
8	VNB2493194	1
9	VNB2333794	2
10	KG00565700	2
11	KG01069900	2
12	VNB1082102	8
13	VNB1998902	4
14	VNB1999002	4
15	VNB1999102	4
16	VN79770150	1
17	VNB1709302	1
18	VNB1754278	1





Pos-no	Part-no	Qty
1	VNB2333878	2
2	KG00495300	6
4	VNB2333902	1
5	VNB2334002	1
6	VNB2334186	1
7	VNB2334286	1
8	VNB1578878	2
9	VN30117600	6
10	KG01069800	10
11	KG00499200	8
12	VN30117100	22
13	KG01053800	4
14	KG01044900	24
15	KG01264000	2
16	VNB2068678	2
17	VNB2334378	1
18	VNB2334478	1
19	KG00654500	2
20	VNB1617078	2
21	VNB2334502	1
22	VNB2334602	1
23	KG00713700	8
24	KG01263700	8
25	KG01069700	8
26	VNB2068578	2
27	KG00870000	4
28	VNB2334778	1
29	VNB2334878	1
30	KG01257800	20
31	VN17856588	4
32	VN30109008	6
33	KG00654400	4
34	VNB2602702	1
35	VNB2602802	1
36	VNB1082102	2
37	KG01257400	4
38	VNB2607702	2
39	VN70009471	1





RS-C 700/1400: BEDIENING

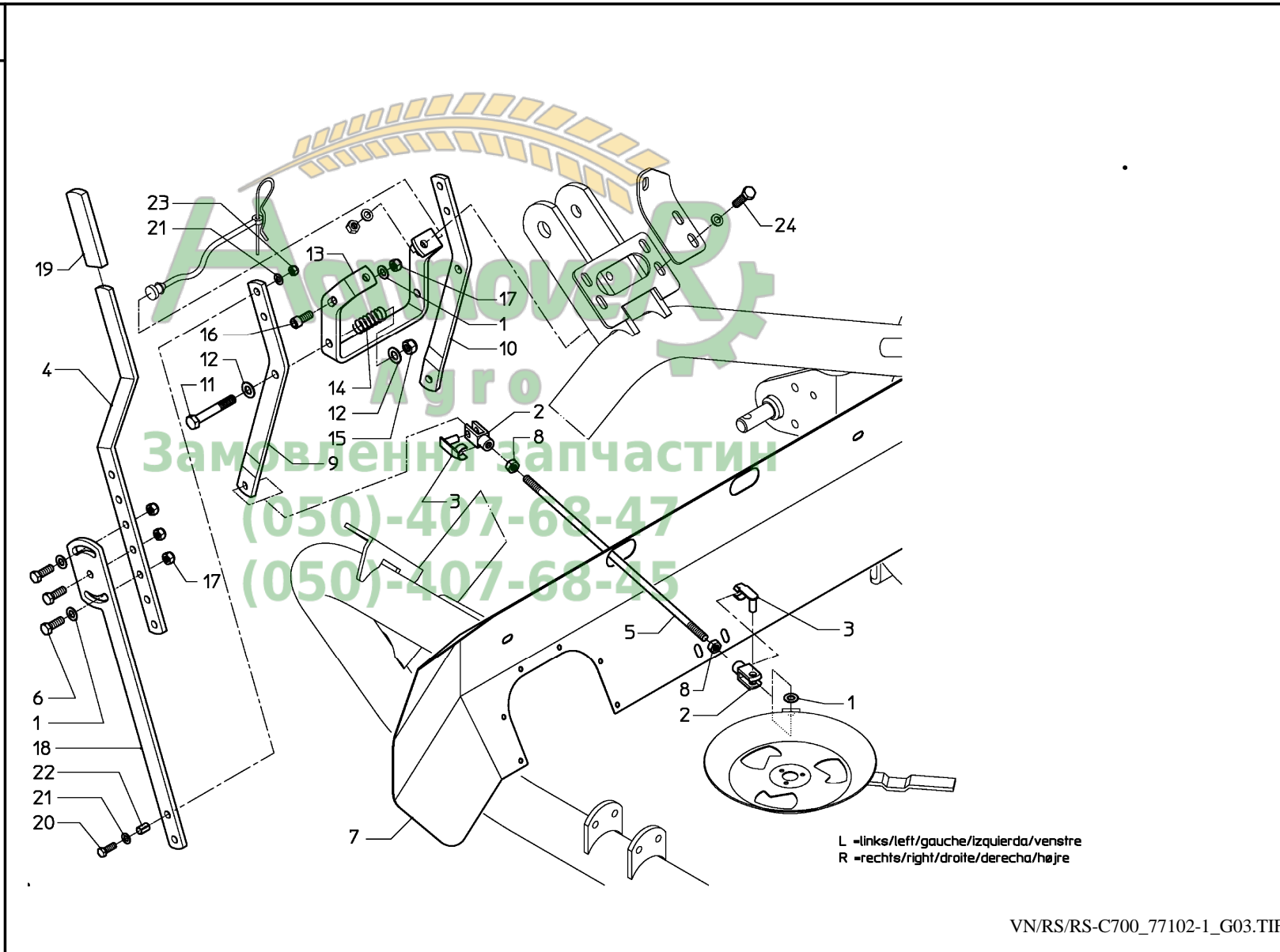
Page 6

© Kverneland Group

Series: 77102-01; Production year from: 2002; Mach. ID: 2102-2103

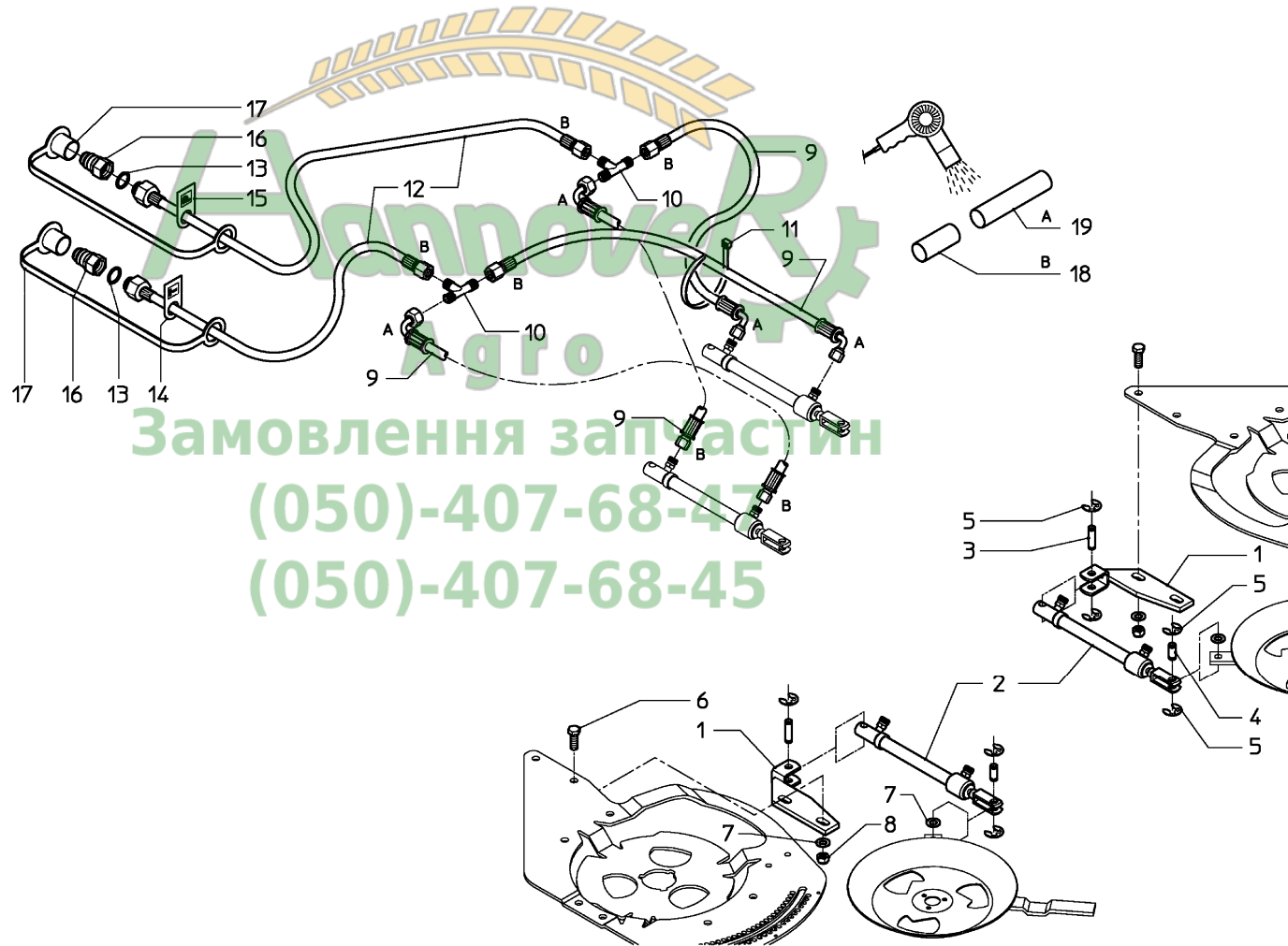
Date 07.11.2007 9:44

Pos-no	Part-no	Qty
1	KG01264000	8
2	VNB2927678	4
3	VNB2927778	4
4	VNB2868494	2
5	VNB2927502	2
6	KG00498800	6
7	VNB2713894	1
8	KG01053800	4
9	VNB2713494	1
10	VNB2713594	1
11	KG00398900	2
12	KG01264100	4
13	VNB2713694	1
14	VN98630051	2
15	KG01070100	2
16	KG00567300	2
17	KG01070000	8
18	VNB2868394	2
19	VN90070600	2
20	KG00497200	4
21	KG01263900	8
22	VN30854116	4
23	KG01069900	4
24	KG00499000	2





Pos-no	Part-no	Qty
1	VNB2334986	2
2	VNB2335094	2
3	VNB1226902	2
4	VNB0736102	2
5	VN30116090	8
6	KG00498800	4
7	KG01264000	6
8	KG01070000	4
9	VNB2030678	4
10	VNB0739093	2
11	VN80504001	2
12	VNB0738978	2
13	VN31419201	2
14	VNB0818078	1
15	VNB0817978	1
16	VN38854081	2
17	VN38854581	2
18	VNB1504578	6
19	VNB1504678	4





# RS-C 700/1400: HOPPER AND SIEVE

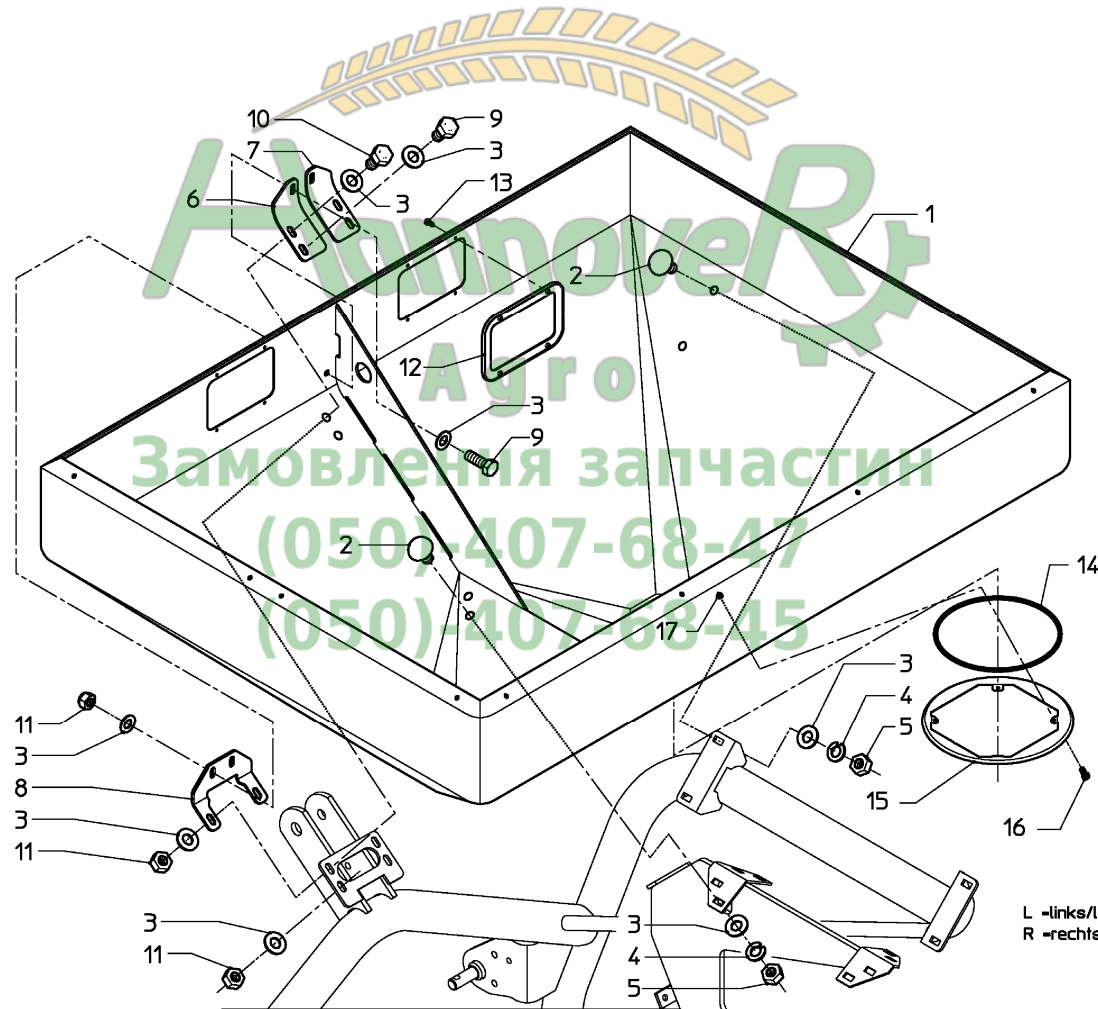
Page 8

© Kverneland Group

Series: 77102-01; Production year from: 2002; Mach. ID: 2102-2103

Date 07.11.2007 9:44

Pos-no	Part-no	Qty
1	VNB2769994	1
2	KG00654400	16
3	KG01264000	28
4	VN30117100	16
5	KG01053800	16
6	VNB2800594	1
7	VNB2800694	1
8	VNB2963794	1
9	KG00498800	4
10	KG00498900	2
11	KG01070000	6
12	VNB2760978	2
13	KG00747600	8
14	VNB2776778	2
15	VNB2759002	2
16	KG00679700	8
17	VN30105400	8



L -links/left/gauche/izquierda/venstre  
R -rechts/right/droite/derecha/højre



RS-C 700/1400: UNIV. JOINT SHAFT

Page

9

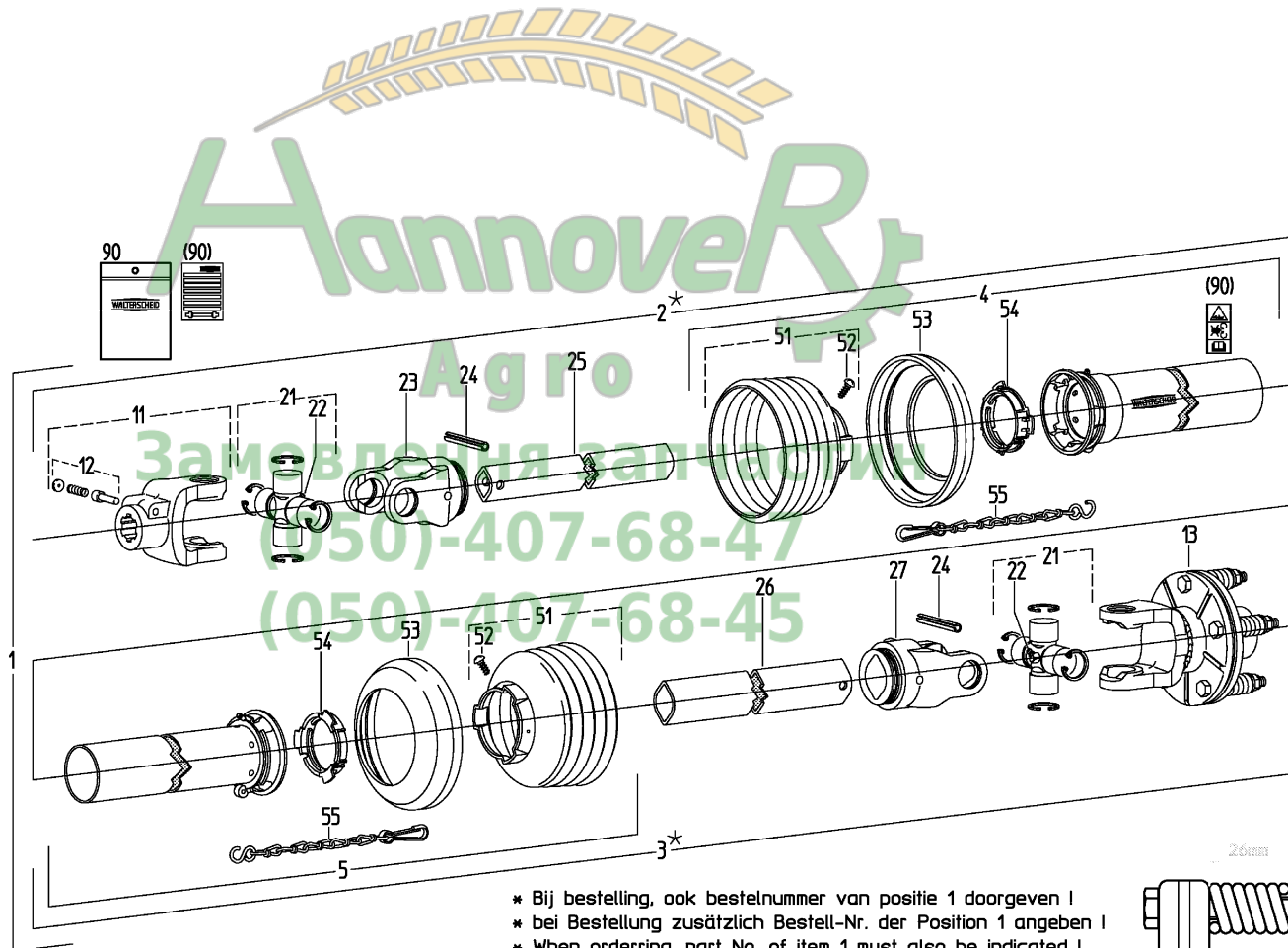
© Kverneland Group

Series: 77102-01; Production year from: 2002; Mach. ID: 2102-2103

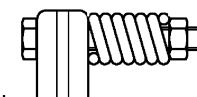
Date

07.11.2007 9:44

Pos-no	Part-no	Qty
1	VN46120082	
2	*	
3	*	
4	VG85.005	
5	VG85.004	
11	VG10.10.00	
12	VGAGRASET101	
13	VG56.117.19	
21	VG10.01.00	
22	VG63.27.00	
23	VG10.48.00	
24	VG61.04.01	
25	VG75.06.15	
26	VG75.12.15	
27	VG10.49.00	
51	VG85.05.05	1
52	VG60.15.00	1
53	VG83.10.03	1
54	VG83.09.01	1
55	VG82.36.03	1
90	VGAGRASET209	1



- \* Bij bestelling, ook bestelnummer van positie 1 doorgeven !
- \* bei Bestellung zusätzlich Bestell-Nr. der Position 1 angeben !
- \* When ordering, part No. of item 1 must also be indicated !
- \* En cas de commande, indiquer aussi la référence du repère 1 !





# RS-C 700/1400: DECAL SCHEMATIC

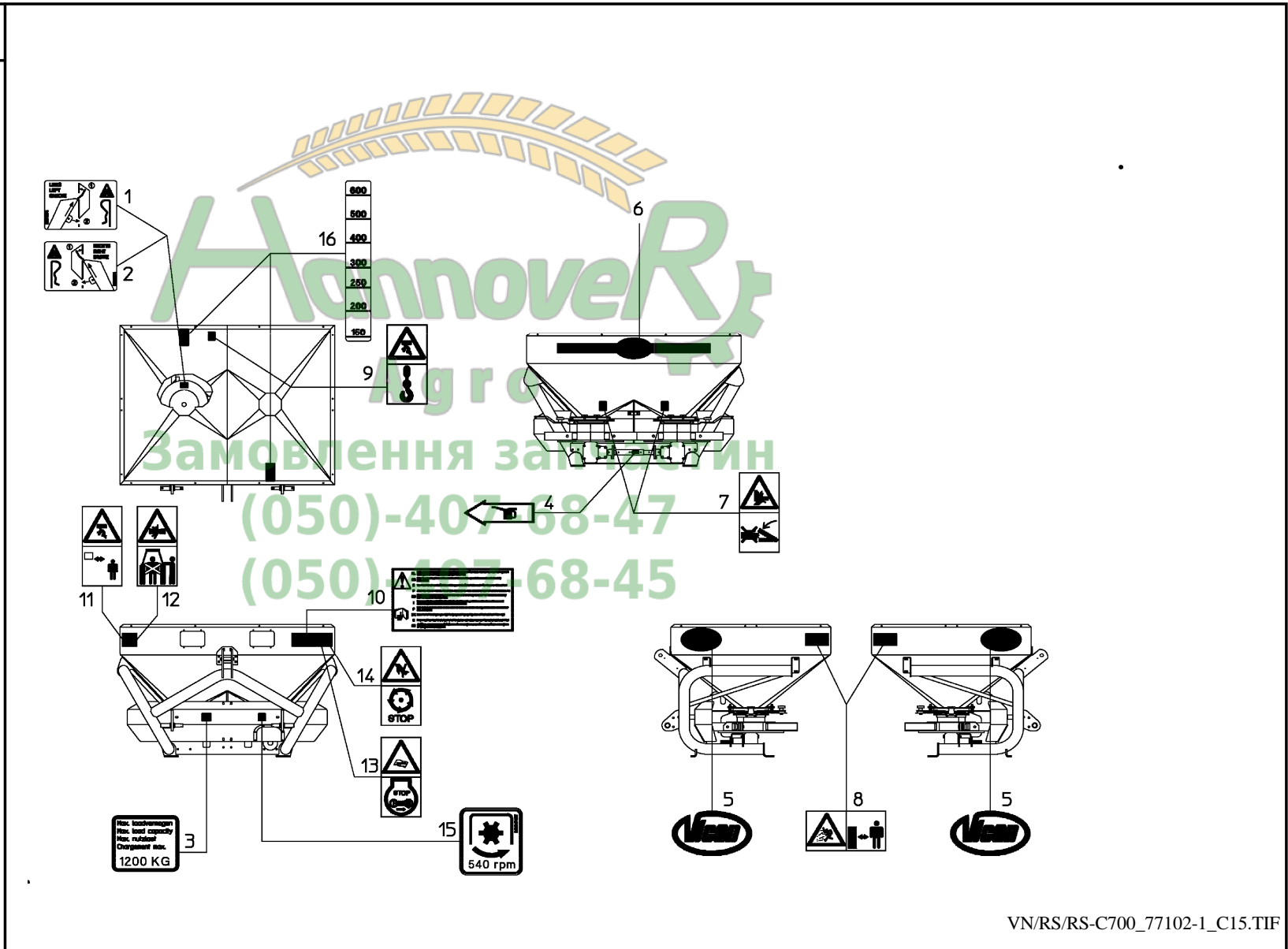
Page 10

© Kverneland Group

Series: 77102-01; Production year from: 2002; Mach. ID: 2102-2103

Date 07.11.2007 9:44

Pos-no	Part-no	Qty
1	VNB1194874	1
2	VNB1181374	1
3	VNB2300874	1
4	VN90090191	1
5	VNB2071674	2
6	VNB2834374	1
7	VGTR2059	2
8	VGTR1010	2
9	VGTR2039	1
10	VNB0903374	1
11	VGTR2015	1
12	VGTR2011	1
13	VGTR2005	1
14	VGTR2023	1
15	VNB1310474	1
16	VNB2778874	2
17	VNB2822600	1





RS-C 700/1400: ACCESSORIES

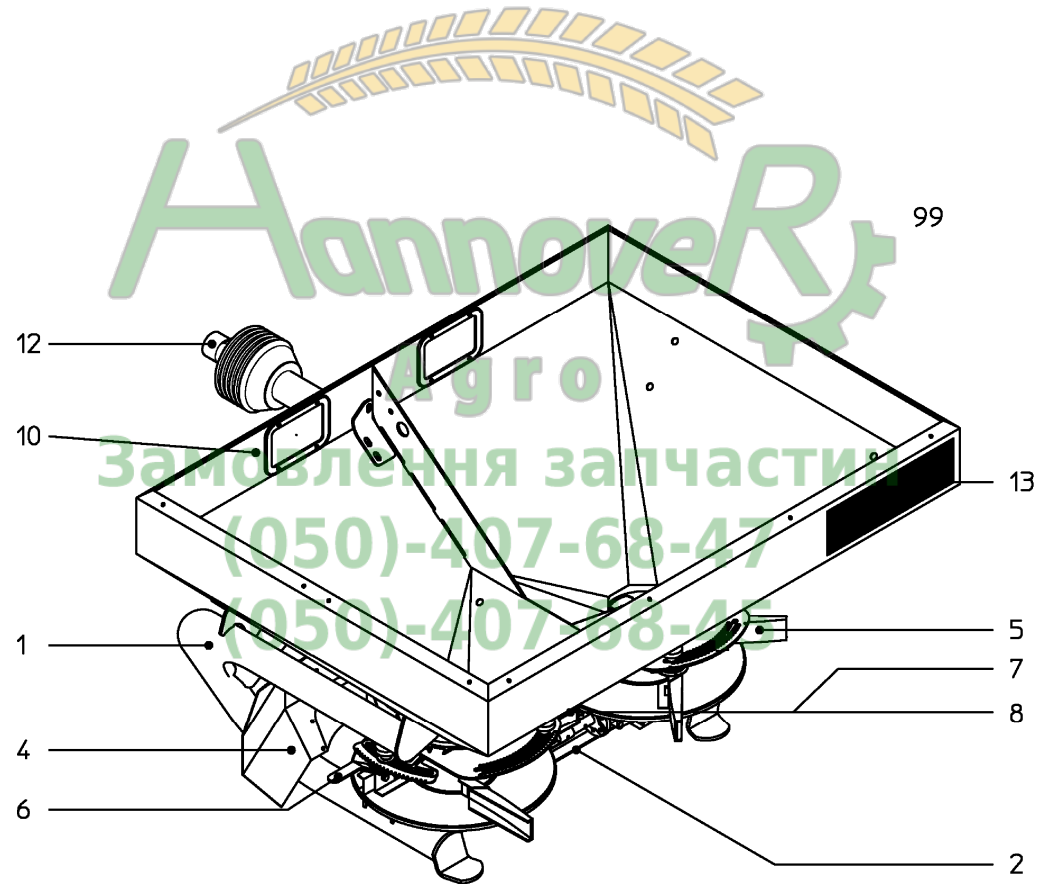
Page 11

© Kverneland Group

Series: 77102-01; Production year from: 2002; Mach. ID: 2102-2103

Date 07.11.2007 9:44

Pos-no Part-no Qty





RS-C 700/1400: LIGHTING SET

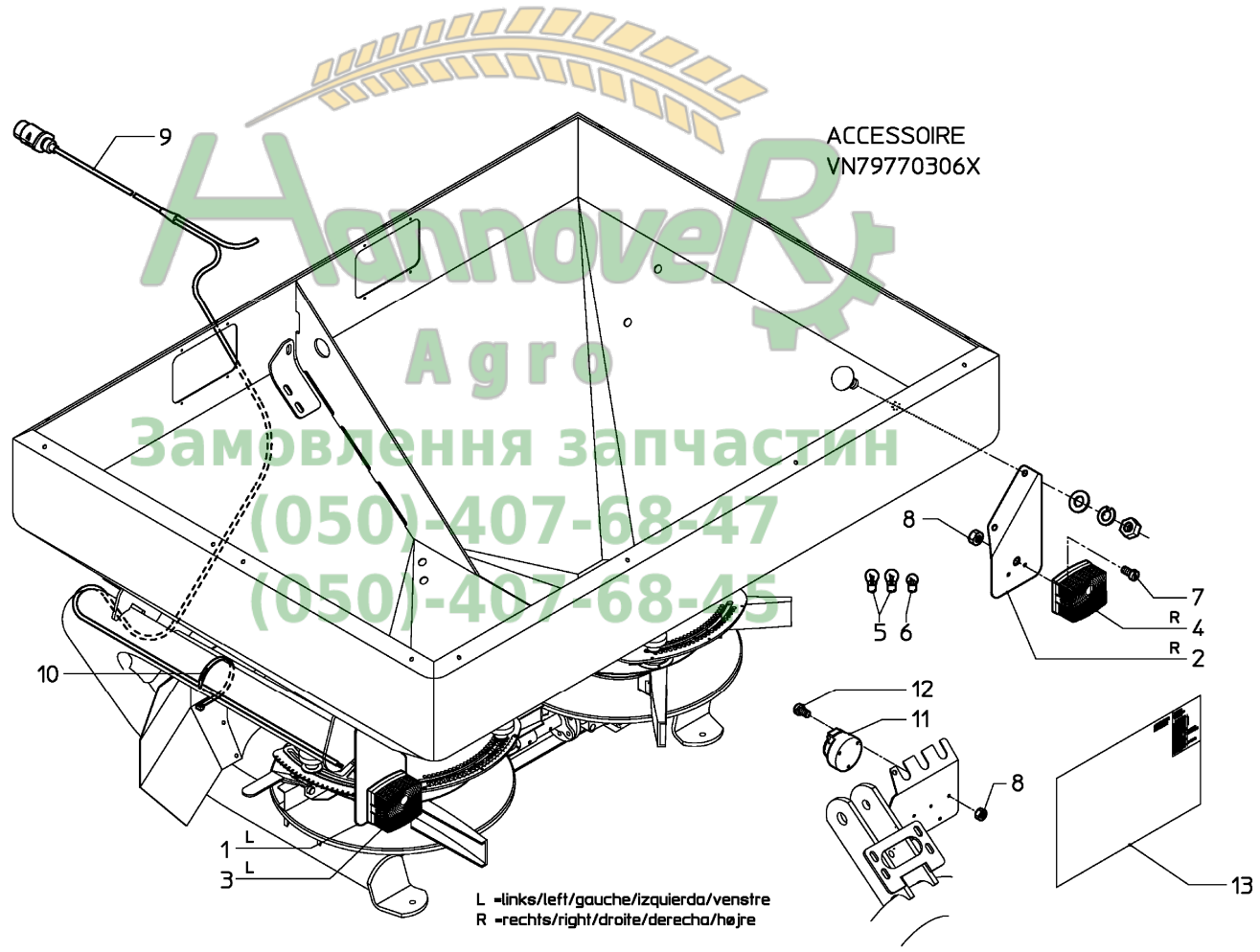
Page 12

© Kverneland Group

Series: 77102-01; Production year from: 2002; Mach. ID: 2102-2103

Date 07.11.2007 9:44

Pos-no	Part-no	Qty
1	VNB2358087	1
2	VNB2358187	1
3	VN48520009	1
4	VN48520005	1
7	KG00713700	4
8	KG01069700	7
9	VNB1896878	1
10	VN80504001	12
11	VNB0341273	1
12	KG00714100	3
13	VN70009391	1





RS-C 700/1400: HOPPER EXTENSION

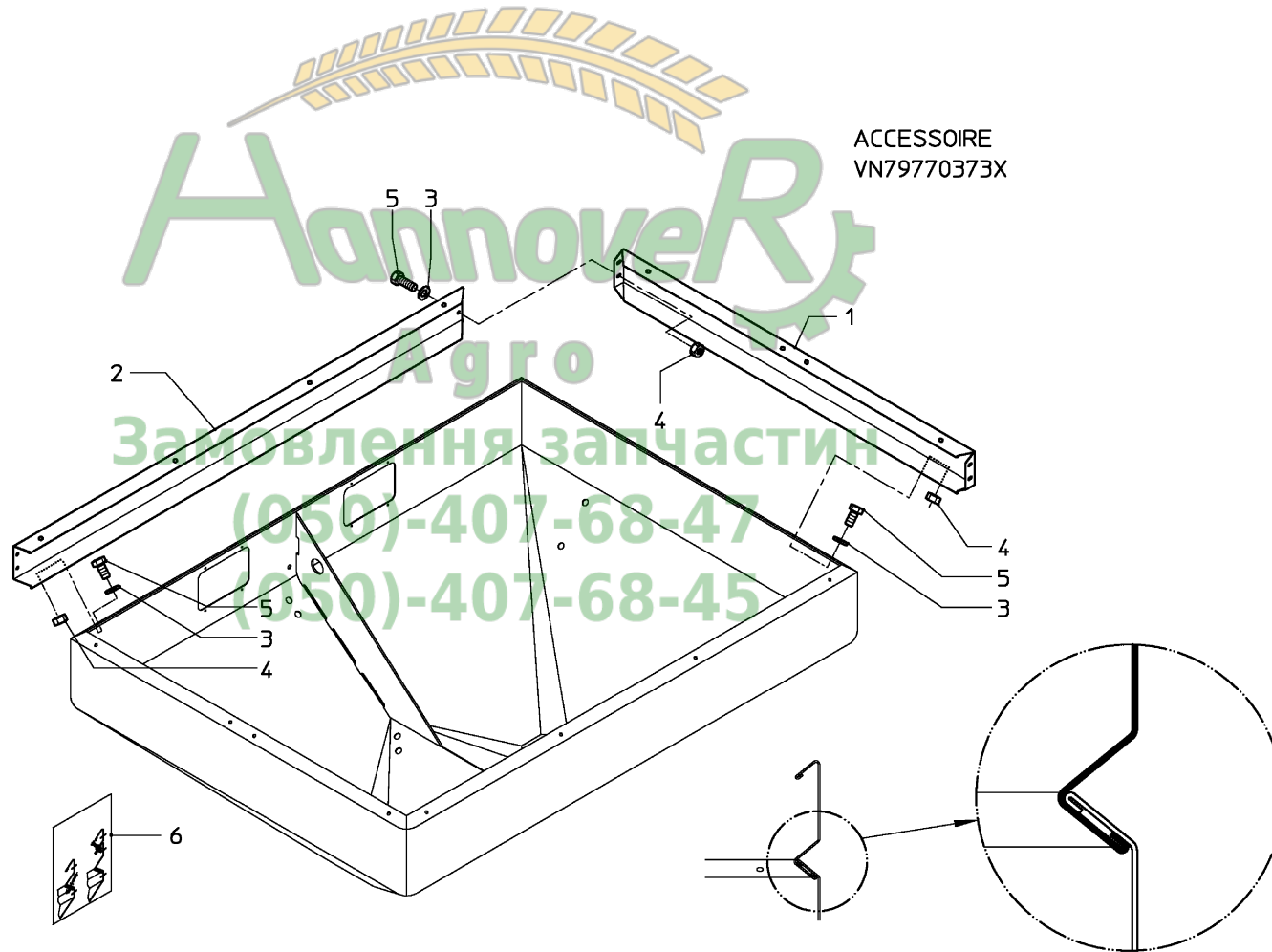
Page 13

© Kverneland Group

Series: 77102-01; Production year from: 2002; Mach. ID: 2102-2103

Date 07.11.2007 9:44

Pos-no	Part-no	Qty
1	VNB1872394	2
2	VNB2545894	2
3	KG01263800	24
4	KG01059600	24
5	KG00495100	24
6	VN70009452	1





RS-C 700/1400: HOPPER EXTENSION

Page 14

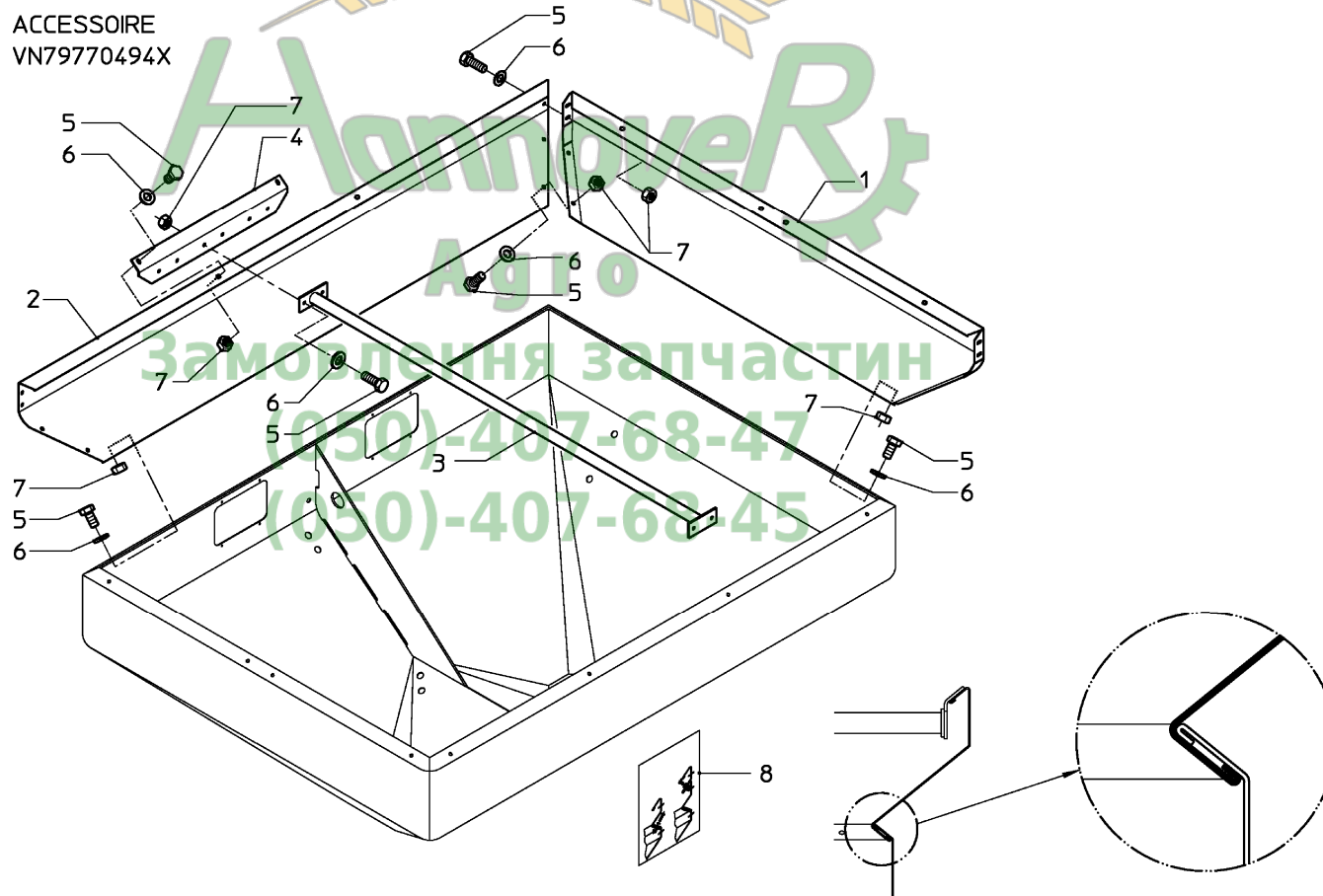
© Kverneland Group

Series: 77102-01; Production year from: 2002; Mach. ID: 2102-2103

Date 07.11.2007 9:44

Pos-no	Part-no	Qty
1	VNB2839394	2
2	VNB2820694	2
3	VNB1871094	1
4	VNB1871294	2
5	KG00495100	40
6	KG01263800	40
7	KG01059600	40
8	VN70009544	1

ACCESSOIRE  
VN79770494X





RS-C 700/1400: LOWER LINKAGE

Page 15

© Kverneland Group

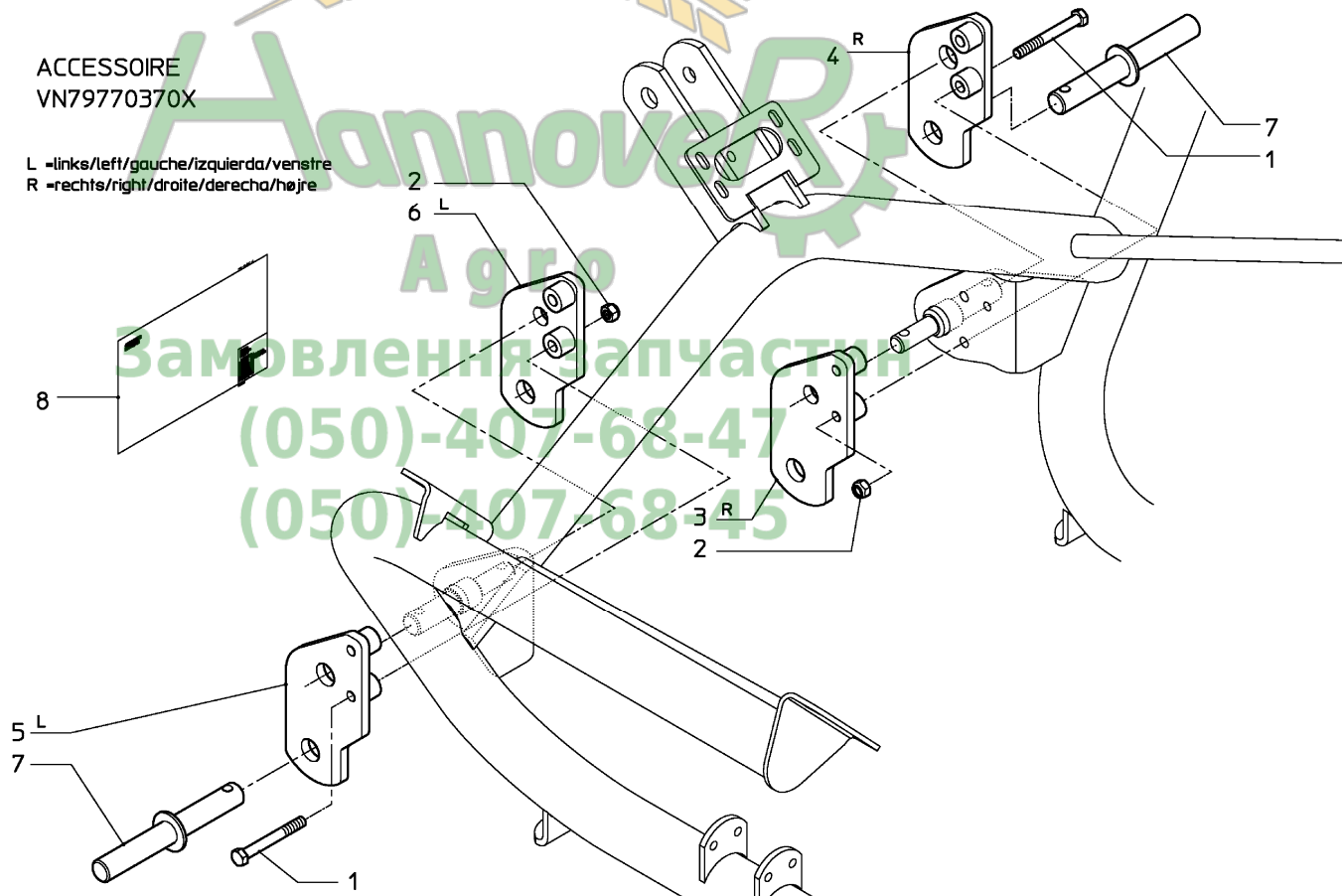
Series: 77102-01; Production year from: 2002; Mach. ID: 2102-2103

Date 07.11.2007 9:44

Pos-no	Part-no	Qty
1	KG00399100	4
2	KG01070100	4
3	VNB2433694	1
4	VNB2433794	1
5	VNB2519394	1
6	VNB2519294	1
7	VNB1599994	2
8	VN70009433	1

ACCESSOIRE  
VN79770370X

L =links/left/gauche/izquierda/venstre  
R =rechts/right/droite/derecha/højre





RS-C 700/1400: TRAMLINER CILINDERSET

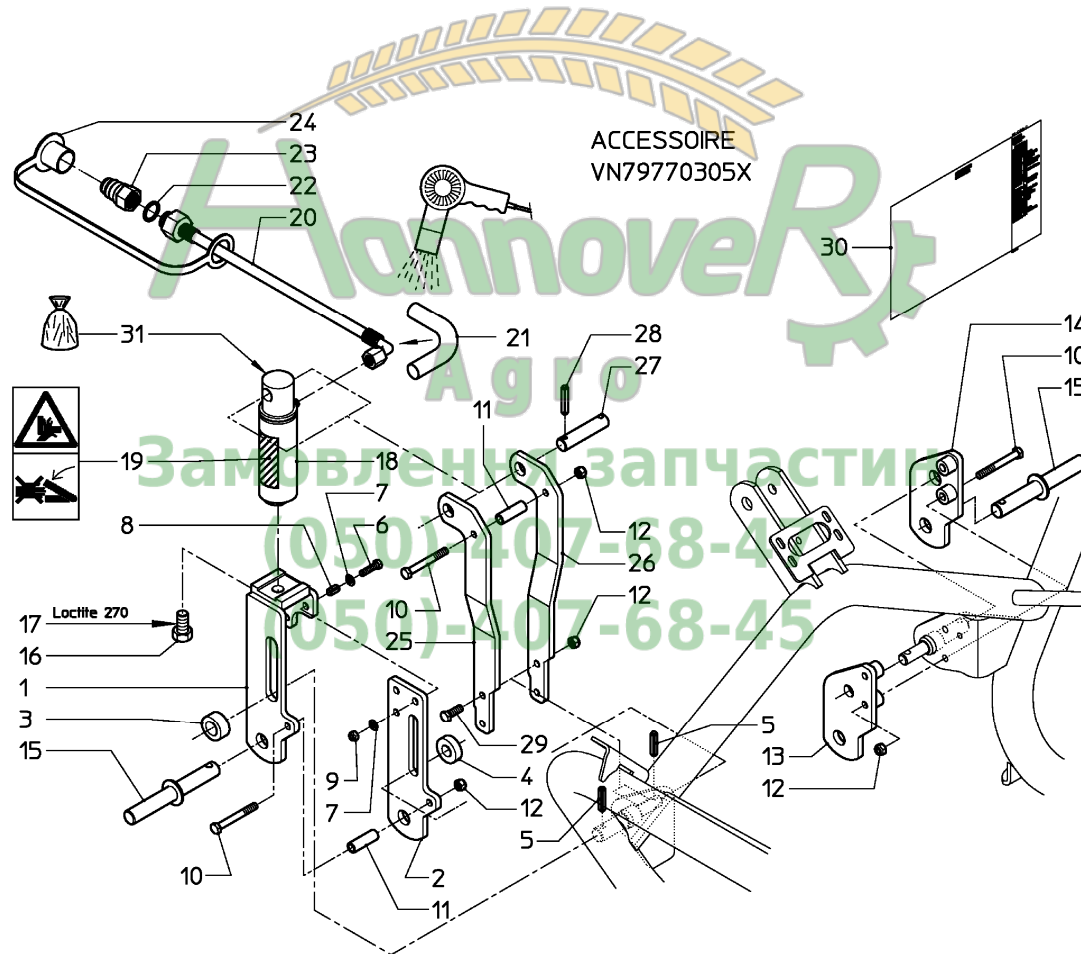
Page 16

© Kverneland Group

Series: 77102-01; Production year from: 2002; Mach. ID: 2102-2103

Date 07.11.2007 9:44

Pos-no	Part-no	Qty
1	VNB2434494	1
2	VNB2434094	1
3	VNB2433194	1
4	VNB2433294	1
5	KG01195562	2
6	KG00499000	3
7	KG01264000	6
8	VN30854905	3
9	KG01070000	3
10	KG00399100	4
11	VNB1160594	2
12	KG01070100	6
13	VNB2433694	1
14	VNB2433794	1
15	VNB1599994	2
16	KG00506600	1
17		
18	VNB0835594	1
19	VGTR2059	1
20	VNB0835278	1
21	VNB1504678	1
22	VN31419201	1
23	VN38854081	1
24	VN38854581	1
25	VNB2433894	1
26	VNB2433994	1
27	VNB1608494	1
28	KG01204300	2
29	KG00501500	2
30	VN70009412	1
31	VNB0835678	1





RS-C 700/1400: FRACTION METER

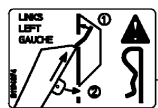
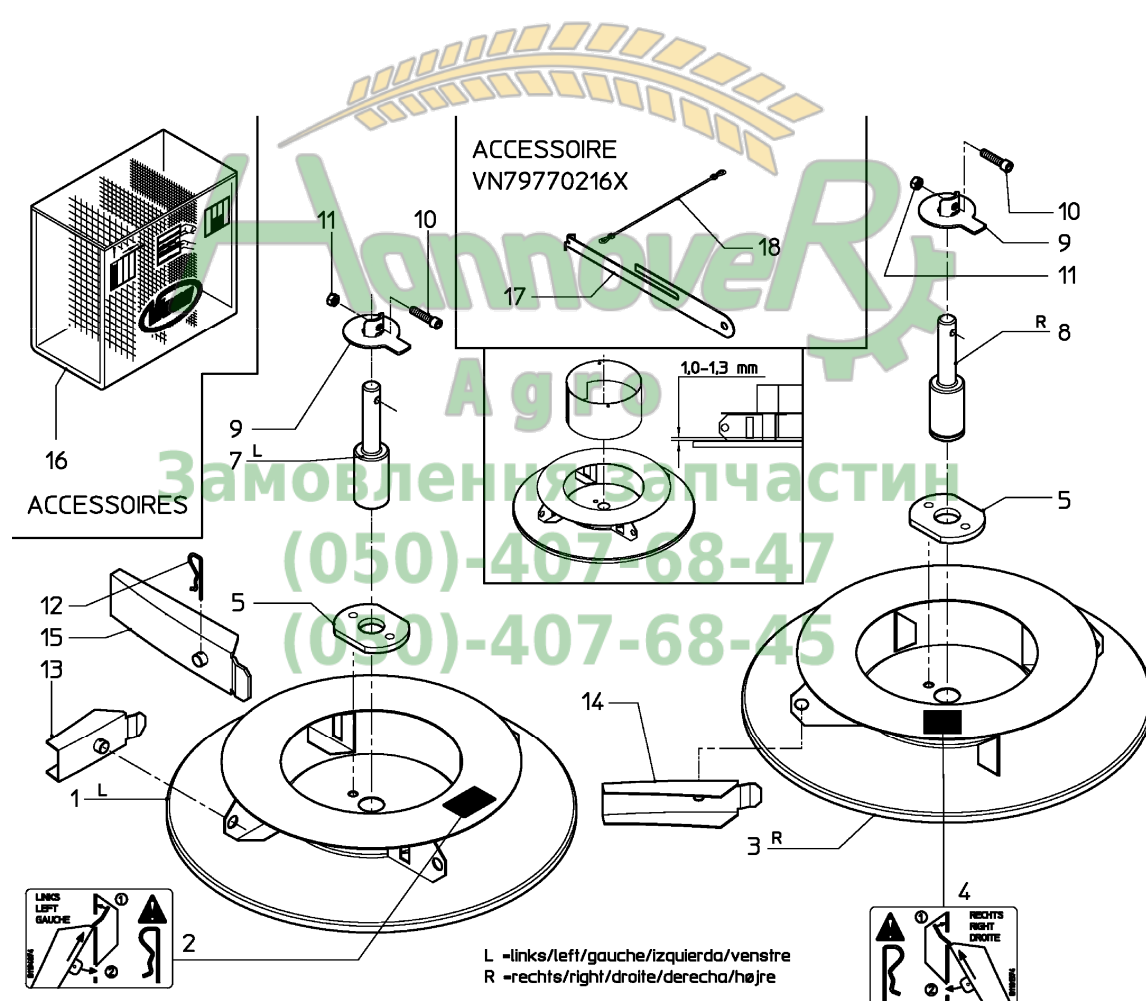
Page 17

© Kverneland Group

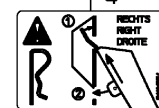
Series: 77102-01; Production year from: 2002; Mach. ID: 2102-2103

Date 07.11.2007 9:44

Pos-no	Part-no	Qty
1	VNB2307802	1
2	VNB1194874	1
3	VNB2308002	1
4	VNB1181374	1
5	VNB2333494	2
7	VNB2493094	1
8	VNB2493194	1
9	VNB2333794	2
10	KG00565700	2
11	KG01069900	2
12	VNB1082102	8
13	VNB1998902	4
14	VNB1999002	4
15	VNB1999102	4
16	VN79770150	1
17	VNB1709302	1
18	VNB1754278	1



L -links/left/gauche/izquierda/venstre  
R -rechts/right/droite/derecha/højre





RS-C 700/1400: 21 MTR. SET

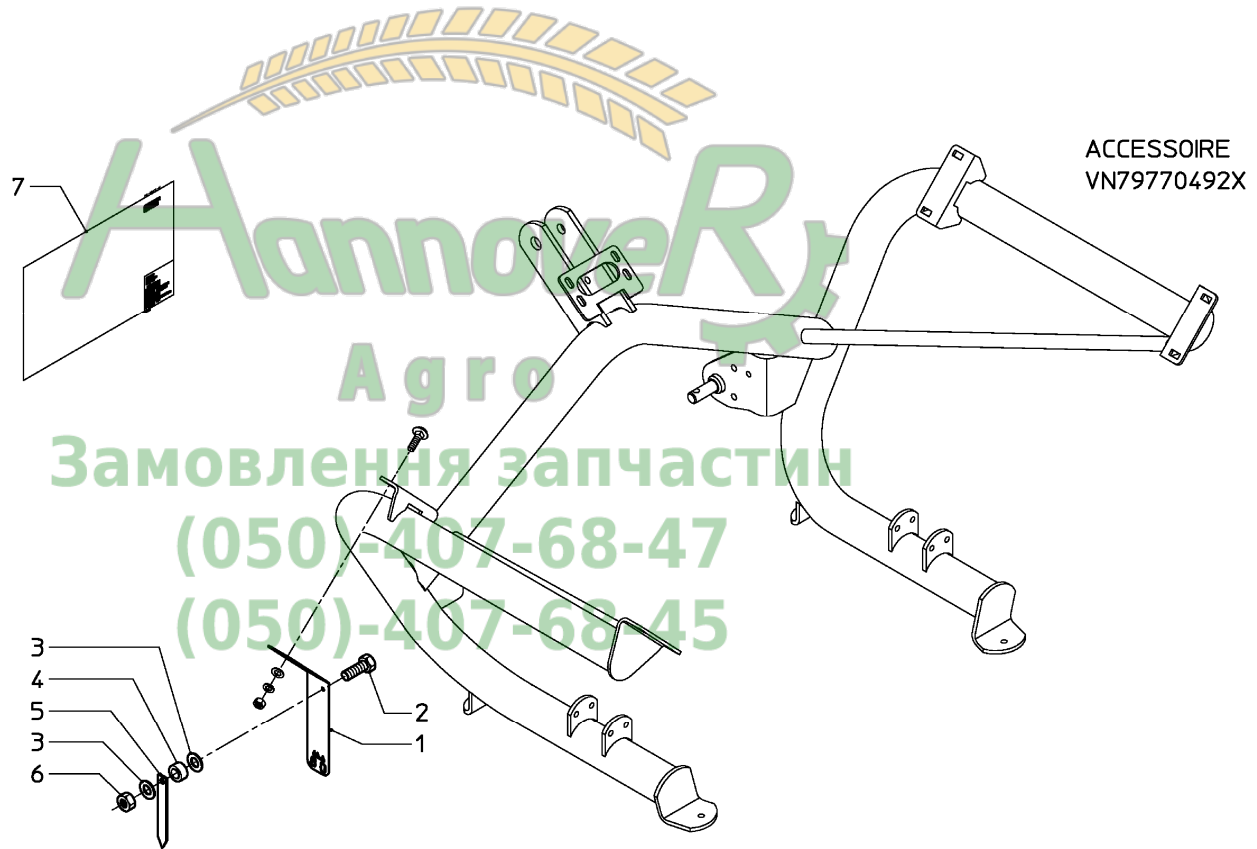
Page 18

© Kverneland Group

Series: 77102-01; Production year from: 2002; Mach. ID: 2102-2103

Date 07.11.2007 9:44

Pos-no	Part-no	Qty
1	VNB2849286	1
2	KG00495200	1
3	KG01257400	2
4	VNB2003302	1
5	VNB2003294	1
6	KG01069800	1
7	VN70009559	1





RS-C 700/1400: TARPAULIN

Page 19

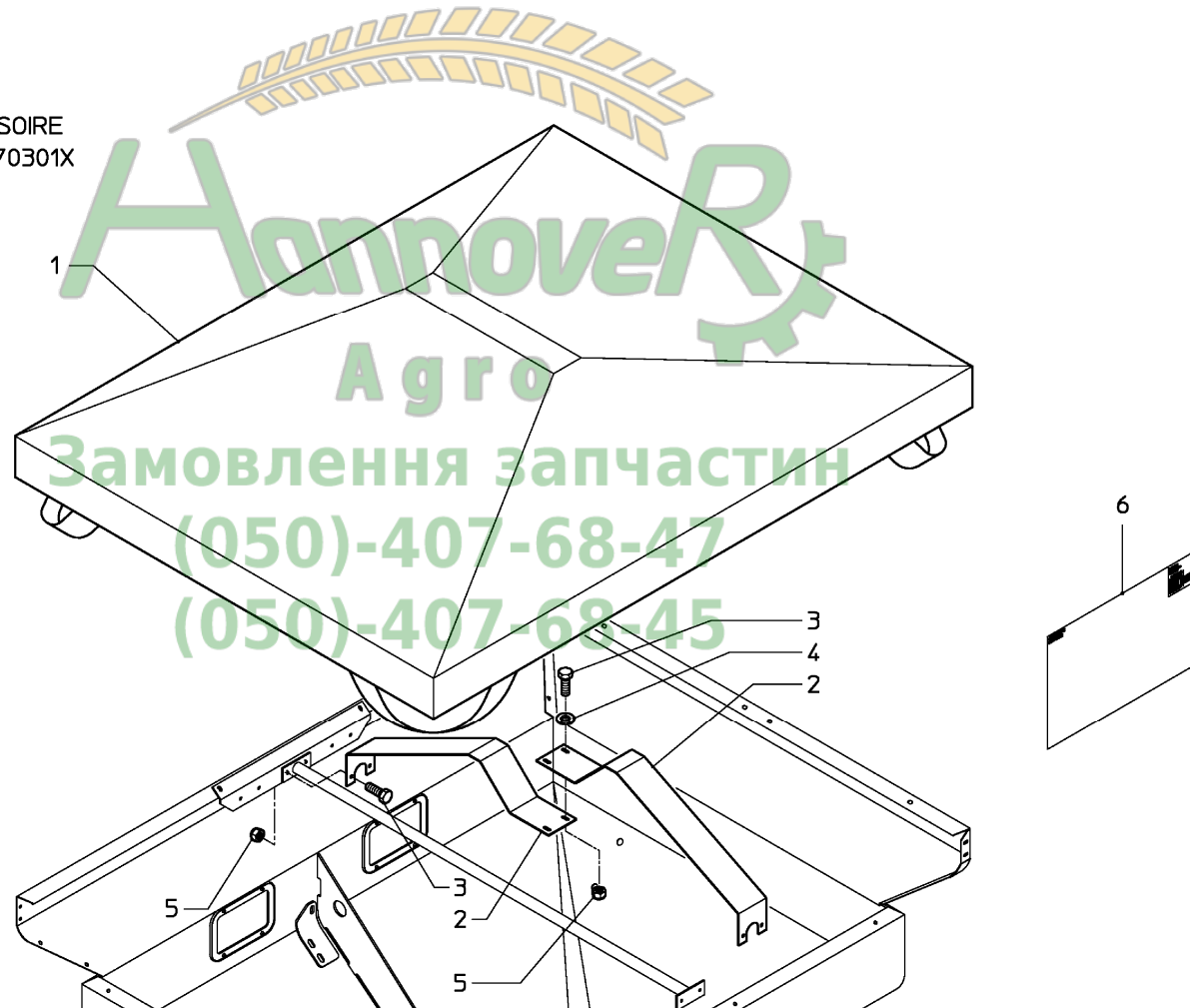
© Kverneland Group

Series: 77102-01; Production year from: 2002; Mach. ID: 2102-2103

Date 07.11.2007 9:44

Pos-no	Part-no	Qty
1	VNB2307078	1
2	VNB2306994	2
3	KG00495200	6
4	KG01263800	2
5	KG01059600	6
6	VN70009395	1

ACCESSOIRE  
VN79770301X





RS-C 700/1400: BOUNDARY SPREADING PLATE

Page 20

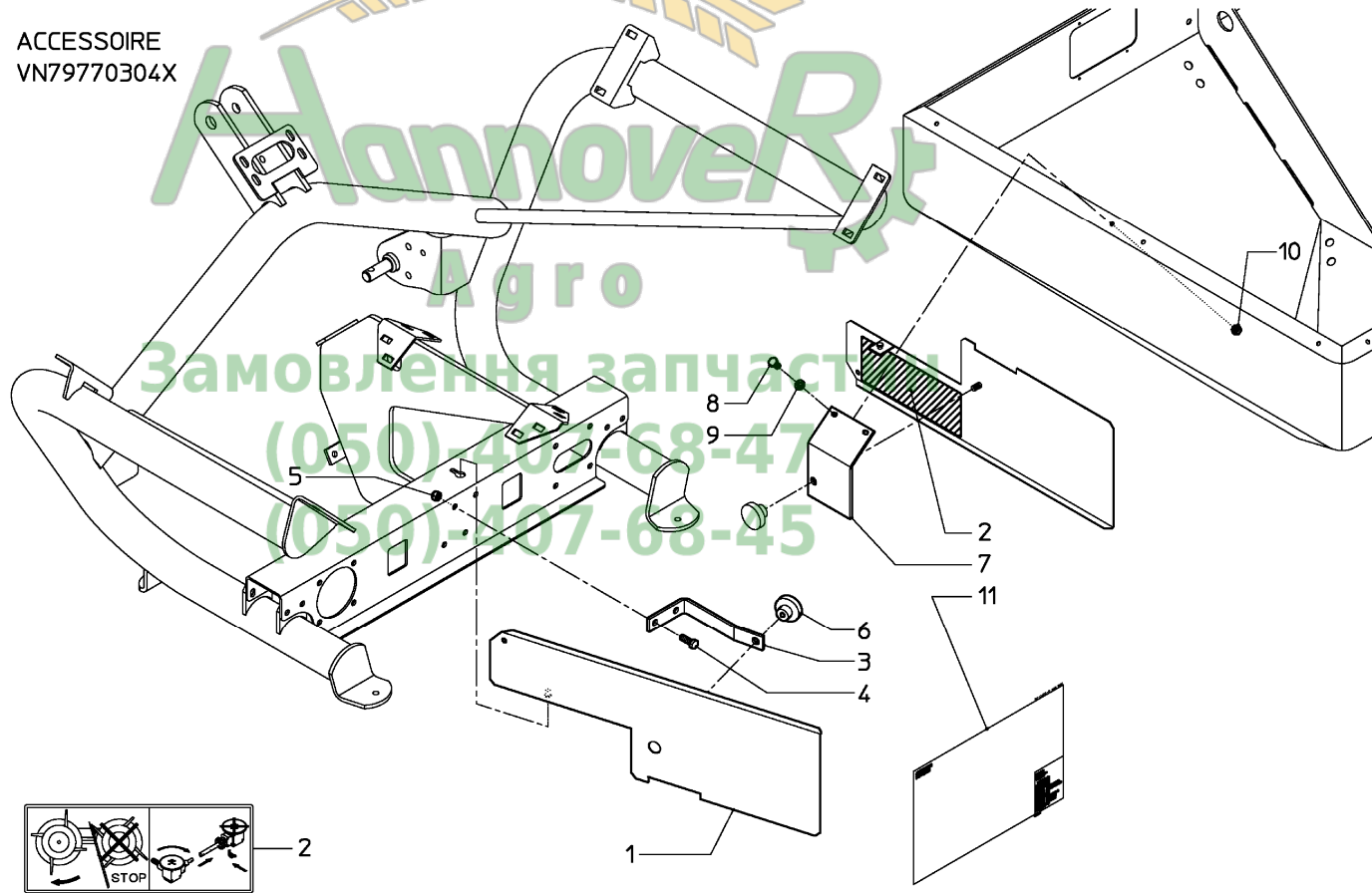
© Kverneland Group

Series: 77102-01; Production year from: 2002; Mach. ID: 2102-2103

Date 07.11.2007 9:44

Pos-no	Part-no	Qty
1	VNB2372894	1
2	VNB2427374	1
3	VNB2831794	1
4	KG00498700	2
5	KG01070000	2
6	VN17856588	1
7	VNB2372594	1
8	KG00495300	2
9	KG01263800	2
10	KG01059600	2
11	VN70009396	1

ACCESSOIRE  
VN79770304X





RS-C 700/1400: HOSE KIT DOUBLE ACTING

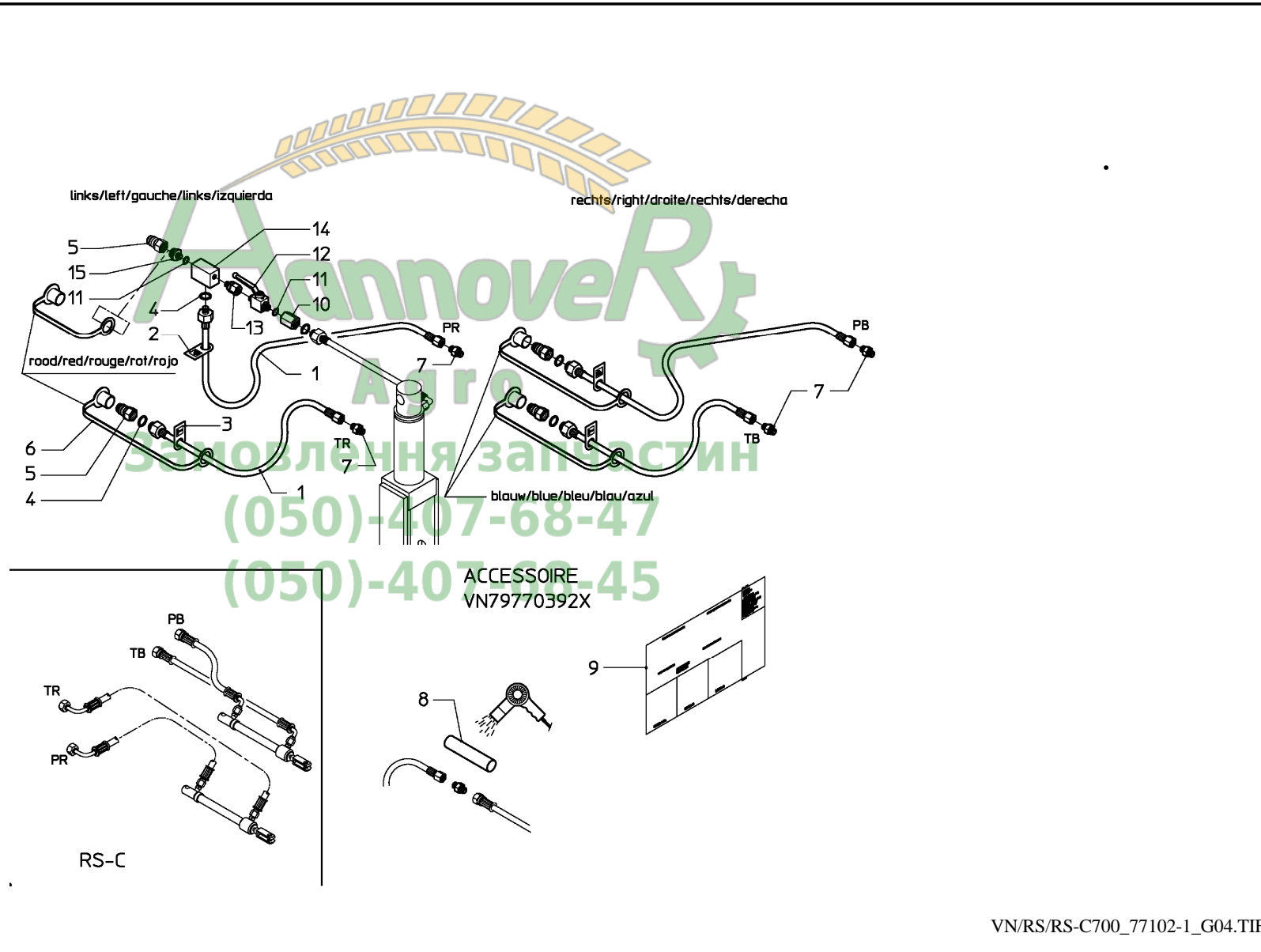
Page 21

© Kverneland Group

Series: 77102-01; Production year from: 2002; Mach. ID: 2102-2103

Date 07.11.2007 9:45

Pos-no	Part-no	Qty
1	VNB0738978	2
2	VNB0817978	1
3	VNB0818078	1
4	VN31419201	2
5	VN38854081	2
6	VN38854586	2
7	VNB0854293	4
8	VNB1504678	4
9	VN70009483	1
10	VNB3084193	1
11	VN31419900	2
12	VN17895704	1
13	VN38820225	1
14	VNB3083893	1
15	VNB1306893	1





RS-C 700/1400: DOUBLE 2-WAY VOLVE

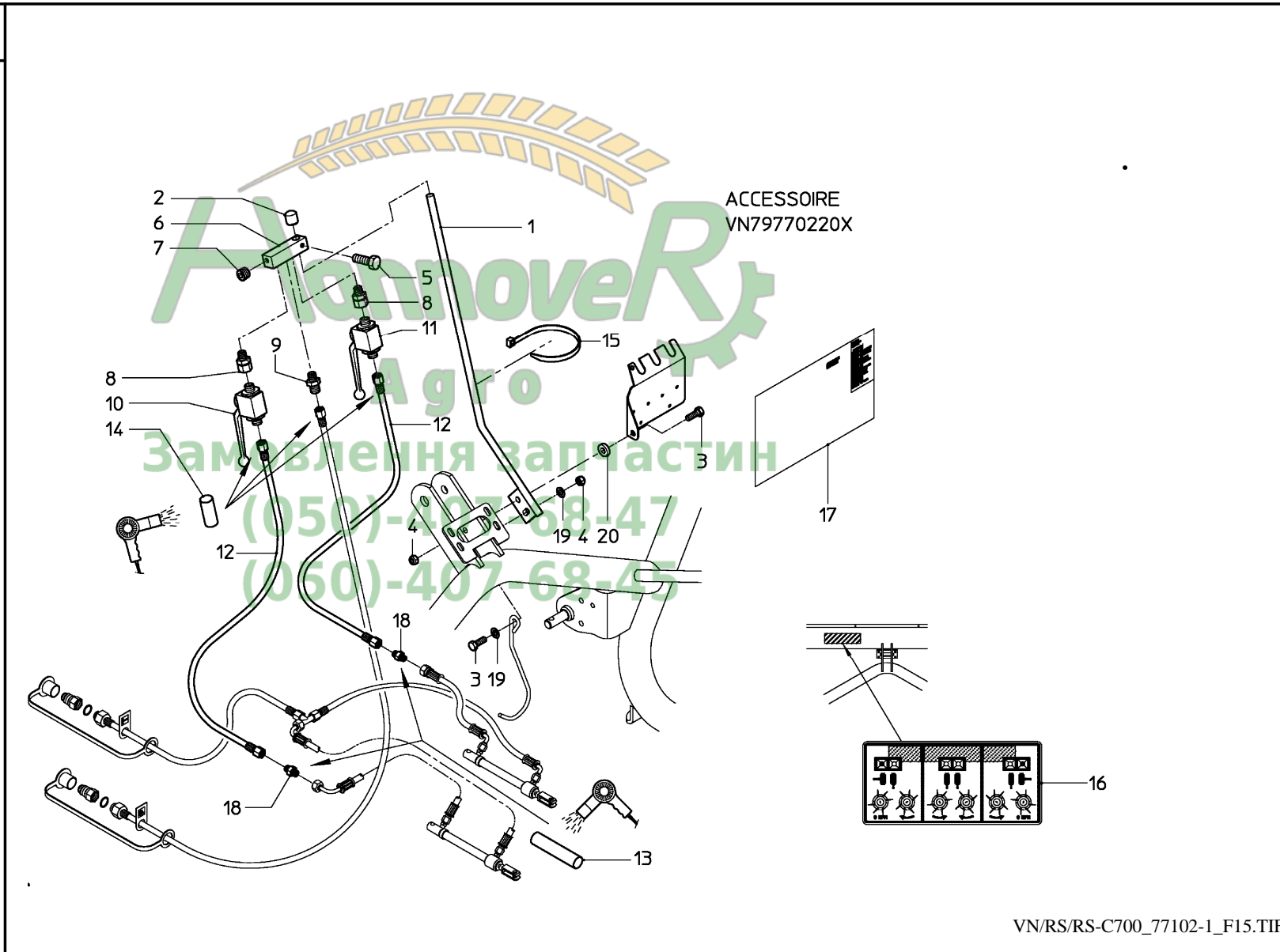
Page 22

© Kverneland Group

Series: 77102-01; Production year from: 2002; Mach. ID: 2102-2103

Date 07.11.2007 9:45

Pos-no	Part-no	Qty
1	VNB1840194	1
2	VNB0854378	1
3	KG00501200	2
4	VN30598012	2
5	KG00498500	1
6	VNB1308693	1
7	KG01031961	1
8	VN38820225	2
9	VN38820194	1
10	VN17895704	1
11	VN17895703	1
12	VNB1797478	2
13	VNB1504678	2
14	VNB1504578	3
15	VN80504001	4
16	VNB1727574	1
17	VN70009207	1
18	VNB0854293	2
19	KG01264100	2
20	VNB1947886	1





RS-C 700/1400: FINE APPLICATION KIT

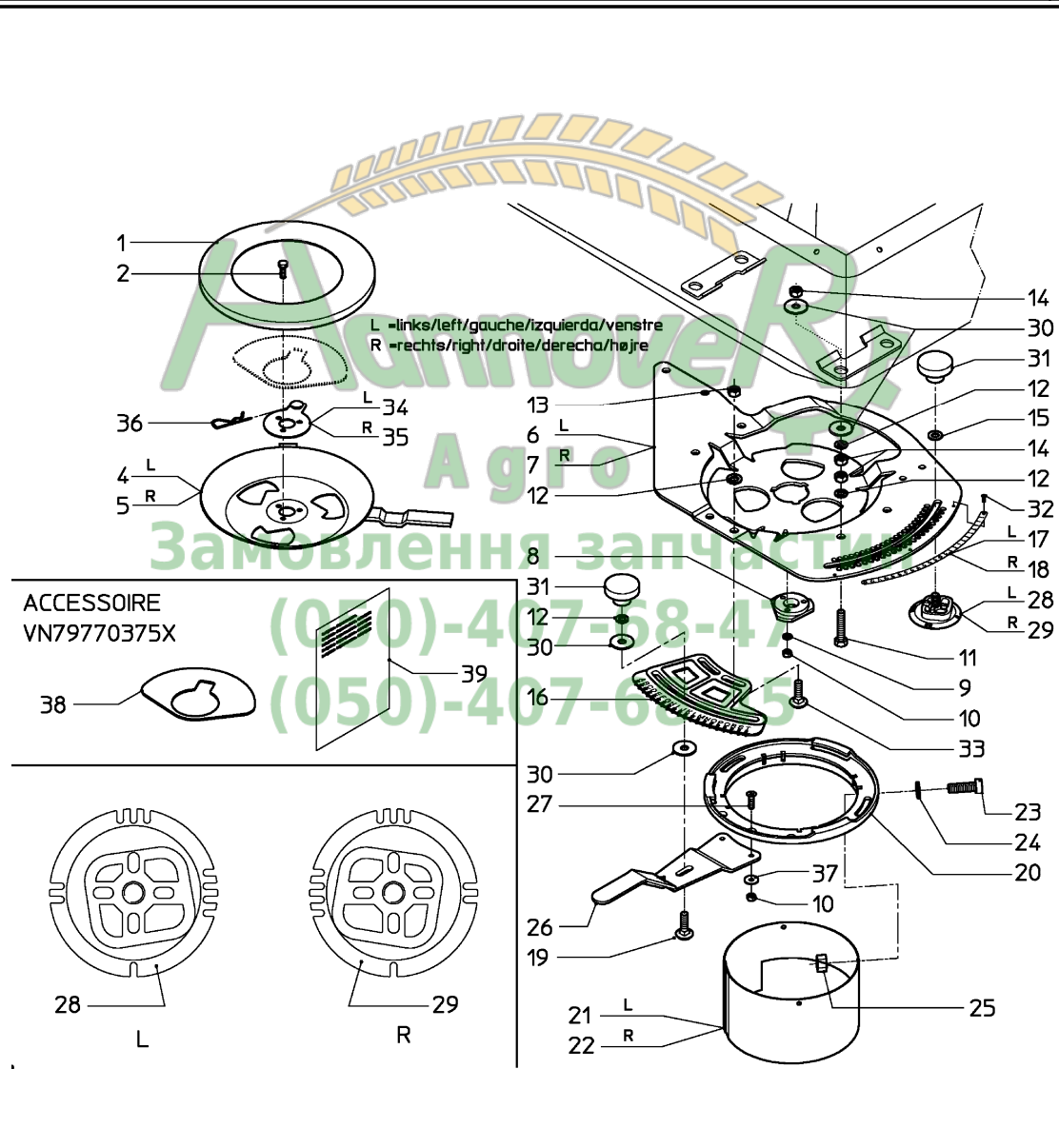
Page 23

© Kverneland Group

Series: 77102-01; Production year from: 2002; Mach. ID: 2102-2103

Date 07.11.2007 9:45

Pos-no	Part-no	Qty
1	VNB2333878	2
2	KG00495300	6
4	VNB2333902	1
5	VNB2334002	1
6	VNB2334186	1
7	VNB2334286	1
8	VNB1578878	2
9	VN30117600	6
10	KG01069800	10
11	KG00499200	8
12	VN30117100	22
13	KG01053800	4
14	KG01044900	24
15	KG01264000	2
16	VNB2068678	2
17	VNB2334378	1
18	VNB2334478	1
19	KG00654500	2
20	VNB1617078	2
21	VNB2334502	1
22	VNB2334602	1
23	KG00713700	8
24	KG01263700	8
25	KG01069700	8
26	VNB2068578	2
27	KG00870000	4
28	VNB2334778	1
29	VNB2334878	1
30	KG01257800	20
31	VN17856588	4
32	VN30109008	6
33	KG00654400	4
34	VNB2602702	1
35	VNB2602802	1
36	VNB1082102	2
37	KG01257400	4
38	VNB2607702	2
39	VN70009471	1





RS-C 700/1400: ACCUMULATORSET

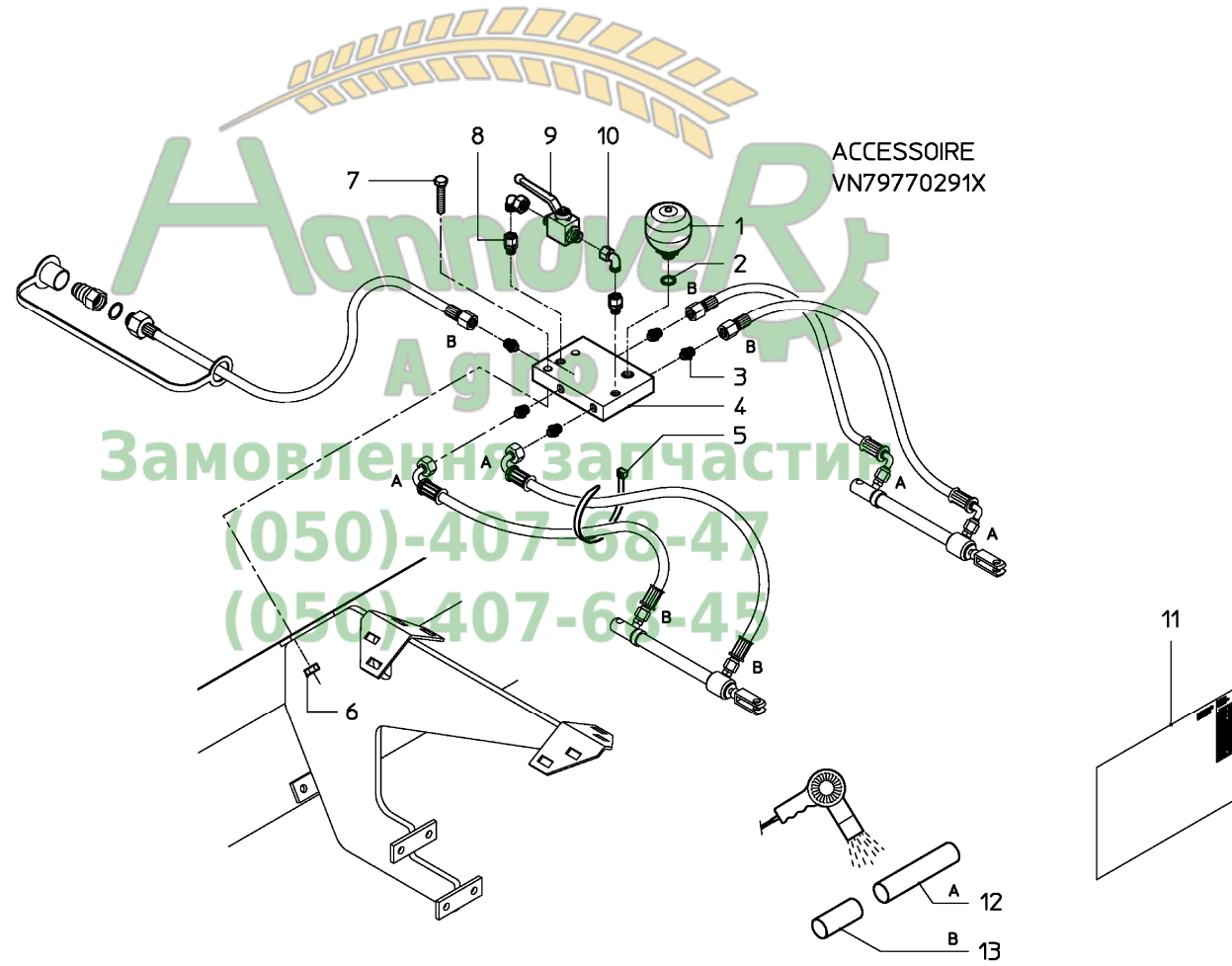
Page 24

© Kverneland Group

Series: 77102-01; Production year from: 2002; Mach. ID: 2102-2103

Date 07.11.2007 9:45

Pos-no	Part-no	Qty
1	VN17883776	1
2	VN31419024	1
3	VN38820194	5
4	VNB2442302	1
5	VN80504001	2
6	KG01070000	2
7	KG00499200	2
8	VN38820225	2
9	VN17895704	1
10	VN38608039	2
11	VN70009417	1
12	VNB1504678	4
13	VNB1504578	5





RS-C 700/1400: SIEVE

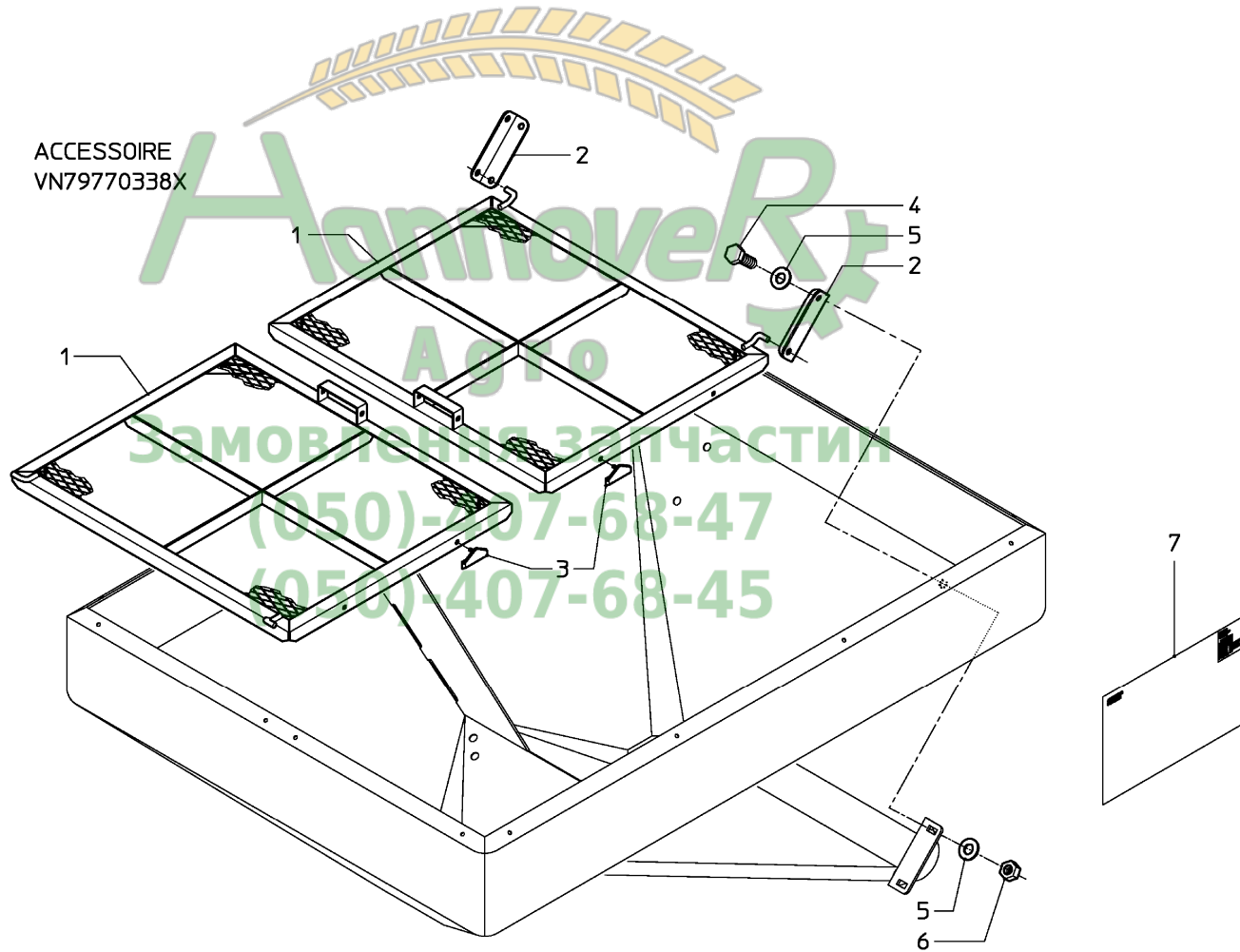
Page 25

© Kverneland Group

Series: 77102-01; Production year from: 2002; Mach. ID: 2102-2103

Date 07.11.2007 9:45

Pos-no	Part-no	Qty
1	VNB2301894	2
2	VNB2301294	4
3	VNB2068778	4
4	KG00498800	8
5	KG01264000	16
6	KG01070000	8
7	VN70009393	1



ACCESSOIRE  
VN79770338X



RS-C 700/1400: CALIBRATION CONTAINER

Page 26

© Kverneland Group

Series: 77102-01; Production year from: 2002; Mach. ID: 2102-2103

Date 07.11.2007 9:45

Pos-no	Part-no	Qty
1	VNB2296678	1
2	VNB2427274	1
3	VGTR2023	1

ACCESSOIRE

