

Агро
RO-M
Замовлення запчастин
(050)-407-68-47
(050)-407-68-45

Spare parts manual

Article number: 70009810

Production year: 2006
Effective: 1001 ≥Mach ID
Prod. Series nr: 77153





Замовлення запчастин

(050)-407-68-47

(050)-407-68-45

AANHAALMOMENTEN/TORQUES/ANZUGSMOMENTE/COUPLES DE SERRAGE/PARES DE APRIETE/ I MOMENTI TORCENTI/ÅTRAGNINGSMOMENT/MOMENTER/ TILTREKKINGSMOMENTER

NL Richtlijnen voor aanhaalmomenten (in Nm) voor zelfborgende moeren, zeskantbouten en moeren.

D Richtlinien für Anzugsmomente (in Nm) für selbstsichernde Muttern, Sechskantschrauben und muttern.

ES Directrices para los pares de apriete (en Nm) para tuercas autoblocantes, tornillos hexagonales y tuercas.

S Riktlinjer för ådragningsmoment (i Nm) för självlåsand bultar, sexkantsbultar och muttrar.

N Retningslinjer for tiltrekkingsmomenter (i Nm) for selvlåsende mutre, sekskantskruer og mutre.

GB Directives for torques (in Nm) for self-locking nuts, hexagonal bolts and nuts.

F Directives relatives aux couples de serrage (en Nm) pour les écrous à auto-blocage, les boulons à six et les écrous.

I Linee guida riguardanti i momenti torcenti (espressi in Nm) per dadi autobloccanti, bulloni esagonali e dadi.

DK Retningslinier for momenter (i Nm) for selvlåsende møtrikker, hexagon bolte og møtrikker.

| KWALITEIT/QUALITY/QUALITÄT QUALITÉ/CALIDAD/QUALITA/KVALITET | 4.6 | | 8.8 | | 10.9 | | 12.9 | |
|--|------|------|------|------|------|------|------|------|
| | 0,10 | 0,13 | 0,10 | 0,13 | 0,10 | 0,13 | 0,10 | 0,13 |
| Wrijving/Friction/Reibung/Frottement/ Fricción/Frizione/Friktion/Friksjon * | | | | | | | | |
| Schroefdraad/Thread/Gewinde/Filetage Rosca/Filettatura/Gänga/Størrelse/ Gjenger | | | | | | | | |
| M5 | 1,7 | 2 | 5 | 6 | 7 | 9 | 8 | 10 |
| M6 | 3 | 4 | 9 | 10 | 13 | 15 | 15 | 18 |
| M8 | 8 | 9 | 21 | 25 | 31 | 36 | 36 | 42 |
| M10 | 16 | 19 | 40 | 50 | 60 | 70 | 70 | 85 |
| M12 | 27 | 32 | 70 | 85 | 105 | 120 | 120 | 145 |
| M14 | 42 | 50 | 115 | 135 | 165 | 195 | 195 | 230 |
| M16 | 65 | 76 | 175 | 210 | 260 | 300 | 300 | 350 |
| M18 | 90 | 110 | 250 | 290 | 350 | 420 | 410 | 490 |
| M20 | 125 | 150 | 350 | 420 | 500 | 600 | 580 | 700 |
| M22 | 170 | 200 | 470 | 560 | 670 | 800 | 780 | 930 |
| M24 | 210 | 250 | 600 | 710 | 860 | 1020 | 1000 | 1180 |

* **NL** De wrijvingscoëfficiënt van 0,10 geldt voor geoliede plaat, gietijzer, geharde vlakken, vette schroefdraad, etc. De hogere waarde van 0,13 geldt voor een droge plaat. Uitzonderingen op deze tabel zijn vermeld in het onderdelen- en/of instructieboek. Aanhaalmomenten voor bouten en moeren met gekartelde onderkant, zoals Tensilock en Whizlock, 10% extra.

* **GB** The friction coefficient of 0.10 applies to oiled sheet, cast iron, hardened surfaces, greasy thread, etc. The higher value of 0.13 applies to dry sheet. Exceptions to this table are stated in the parts- and /or instruction manual. Torques for bolts and nuts with a knurled underside, like Tensilock and Whizlock, 10% extra.

* **D** Der Reibungskoeffizient von 0,10 gilt für geölte Flächen, Gußeisen, gehärtete Flächen, gefettetes Gewinde usw. Der höhere Wert von 0,13 gilt für trockene Flächen. Ausnahmen zu dieser Tabelle sind im Ersatzteilhft und/oder in der Betriebsanleitung. Anzugsmomente für Schrauben und Muttern mit gerändelter Unterseite, wie Tensilock und Whizlock, zuzüglich 10% extra.

* **F** Le coefficient de frottement de 0,10 s'applique aux surfaces huilées, à la fonte, aux surfaces trempées, aux filetages graissés etc. Le coefficient de 0,13 aux surfaces sèches. Les exceptions à se tableau sont mentionnées dans la nomenclature des pièces et/ou dans le manuel d'emploi. Ajoutez 10% pour les boulons et écrous à partie inférieure crénelée, comme les Tensilock et les Whizlock.

* **ES** El coeficiente de fricción de 0,10 es indicado para planchas lubricadas, hierro fundido, superficies endurecidas, rosca grasienta, etc. El valor más alto de 0,13 es para planchas secas. Las excepciones a este cuadro se mencionan en el libro de repuestos y/o manual de instrucciones. Los pares de apriete para tornillos y tuercas con cara inferior dentada, como los Tensilock y Whizlock, 10% extra.

* **I** Il coefficiente di frizione pari a 0,10 si riferisce a superfici oliate, alla ghisa, a superfici temprate, a filettature spesse ecc. Il valore più alto, pari a 0,13, si riferisce a superfici asciutte. Tutte le eccezioni a quanto riportato in questa tabella, si trovano nel libretto dei pezzi o nel libretto delle istruzioni. I momenti torcenti per bulloni e dadi la cui parte inferiore è zigrinata, come i Tensilock (K 100) e Whizlock, sono superiori del 10%.

* **S** Friktionskoefficienten 0,10 gäller oljad plåt, gjutjärn, härdade ytor, smorda gängor etc. Det högre värdet 0,13 gäller torr plåt. Undantag från denna tabell anges i reservdels- och/eller instruktionsboken. Ådragningsmoment för räfflade bultar och muttrar, som Tensilock och Whizlock 10% extra.

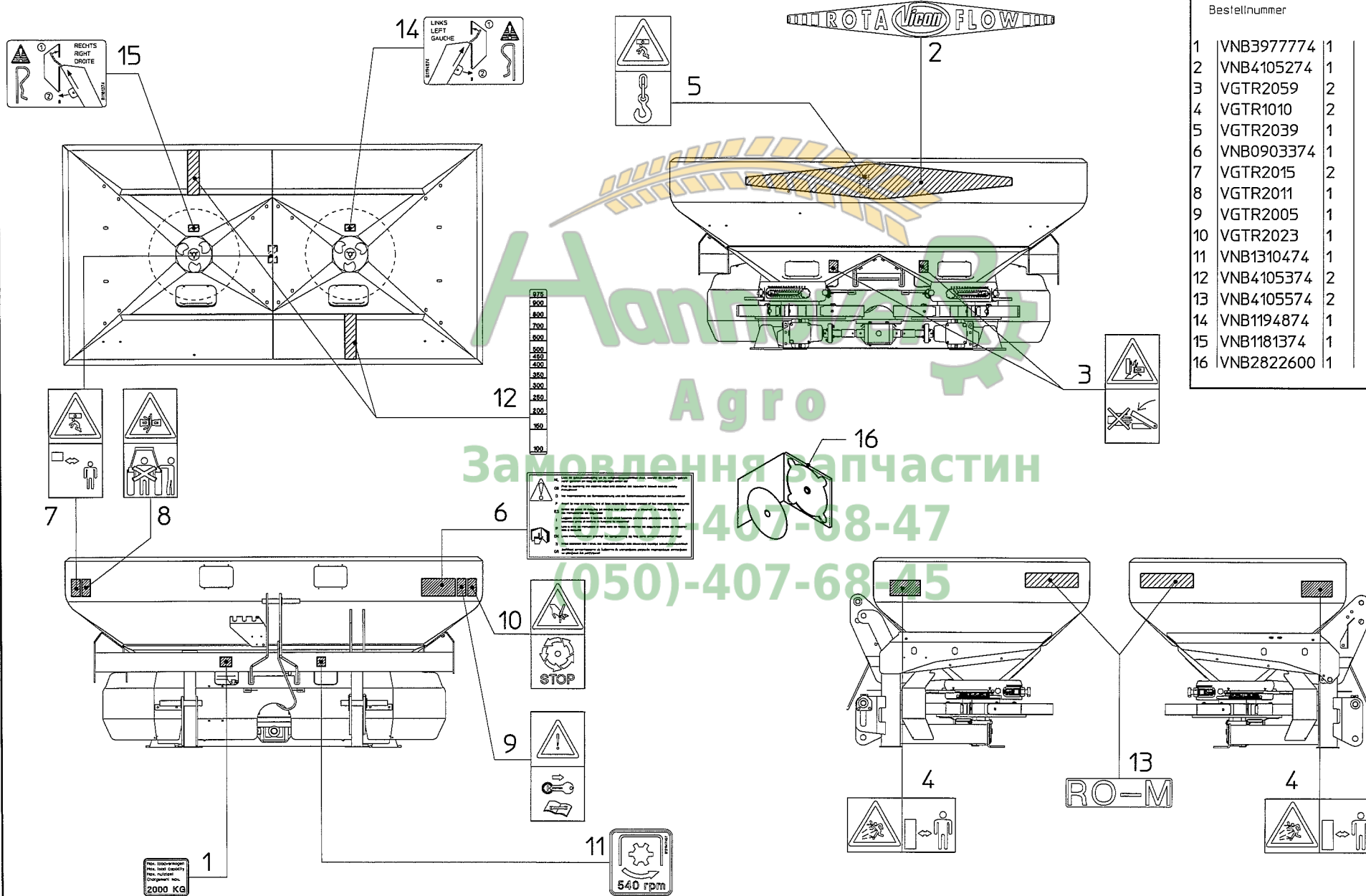
* **DK** Friktionskoefficienten på 0,10 gælder for smurte flader, støbejern, hærdede overflader, fedtholdige gevind etc. Den højere værdi på 0,13 gælder for tørre flader. Undtagelser til tabellen er angivet i reservedels- og/eller instruktionsbog. Når det drejer sig om momenter for bolte og møtrikker med en riflet underside, som Tensilock (K100) og Whizlock, skal der tilføjes 10% ekstra.

* **N** Friksjonskoeffisienten på 0,10 gjelder for smurt plate, støpejern, herdete flater, innfettete gjenger etc. Den høyere verdien på 0,13 gjelder for tørr plate. Unntak fra denne tabellen er angitt i deleboken og/eller i instruksjonsboken. Tiltrekkingsmomenter for skruer og mutre med riflet underkant, som Tensilock (K100) og Whizlock 10% tillegg.

serial number 77153

C16

RO-M



bestelnummer
ordernumber
num. a commander
Bestellnummer

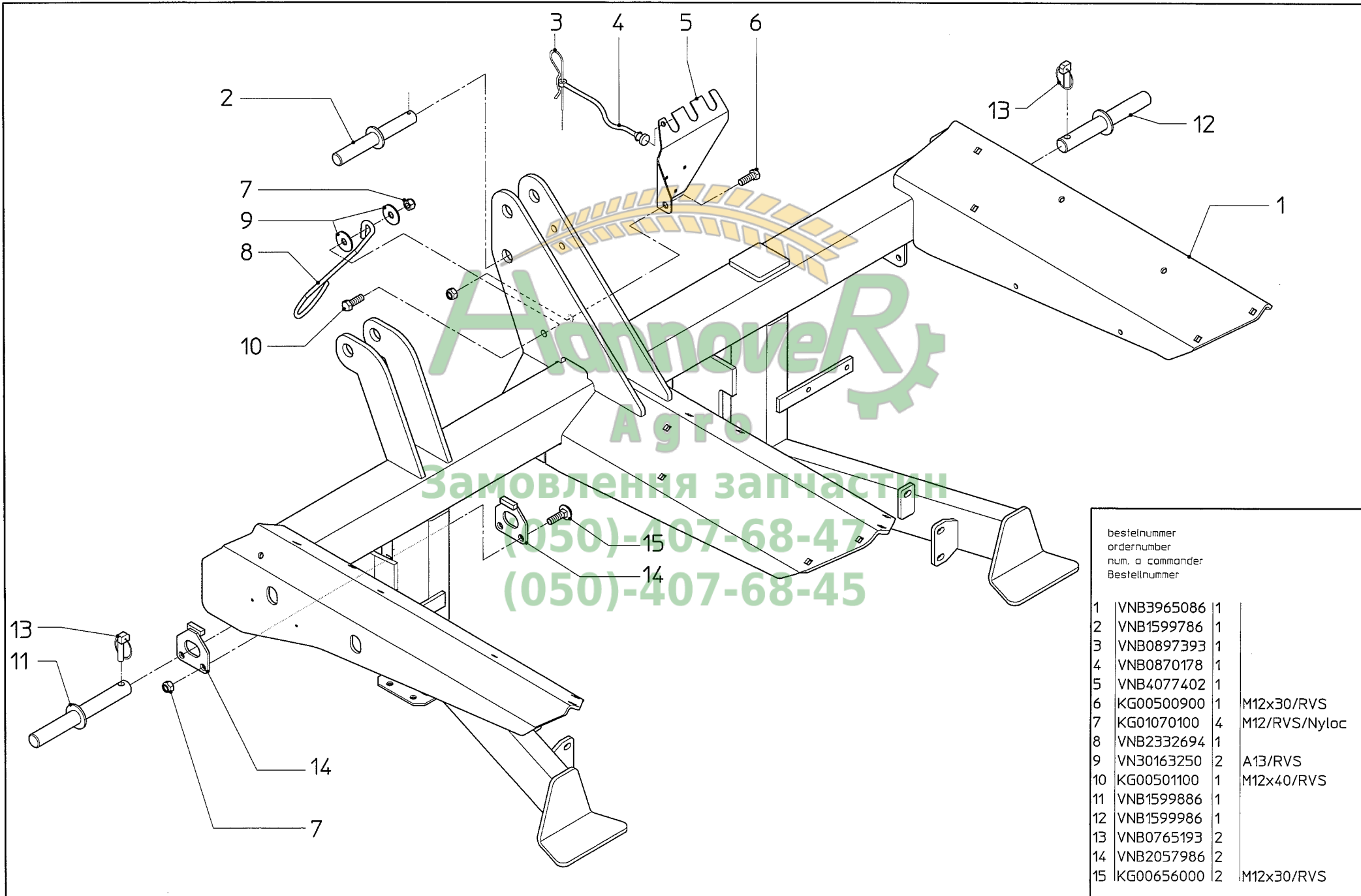
| | | |
|----|------------|---|
| 1 | VNB3977774 | 1 |
| 2 | VNB4105274 | 1 |
| 3 | VGTR2059 | 2 |
| 4 | VGTR1010 | 2 |
| 5 | VGTR2039 | 1 |
| 6 | VNB0903374 | 1 |
| 7 | VGTR2015 | 2 |
| 8 | VGTR2011 | 1 |
| 9 | VGTR2005 | 1 |
| 10 | VGTR2023 | 1 |
| 11 | VNB1310474 | 1 |
| 12 | VNB4105374 | 2 |
| 13 | VNB4105574 | 2 |
| 14 | VNB1194874 | 1 |
| 15 | VNB1181374 | 1 |
| 16 | VNB2822600 | 1 |

Агро
Замовлення запчастин
407-68-47
(050)-407-68-45

serial number 77153

D1

RO-M



bestelnummer
 ordernumber
 num. a commander
 Bestellnummer

| | | | |
|----|------------|---|---------------|
| 1 | VNB3965086 | 1 | |
| 2 | VNB1599786 | 1 | |
| 3 | VNB0897393 | 1 | |
| 4 | VNB0870178 | 1 | |
| 5 | VNB4077402 | 1 | |
| 6 | KG00500900 | 1 | M12x30/RVS |
| 7 | KG01070100 | 4 | M12/RVS/Nyloc |
| 8 | VNB2332694 | 1 | |
| 9 | VN30163250 | 2 | A13/RVS |
| 10 | KG00501100 | 1 | M12x40/RVS |
| 11 | VNB1599886 | 1 | |
| 12 | VNB1599986 | 1 | |
| 13 | VNB0765193 | 2 | |
| 14 | VNB2057986 | 2 | |
| 15 | KG00656000 | 2 | M12x30/RVS |

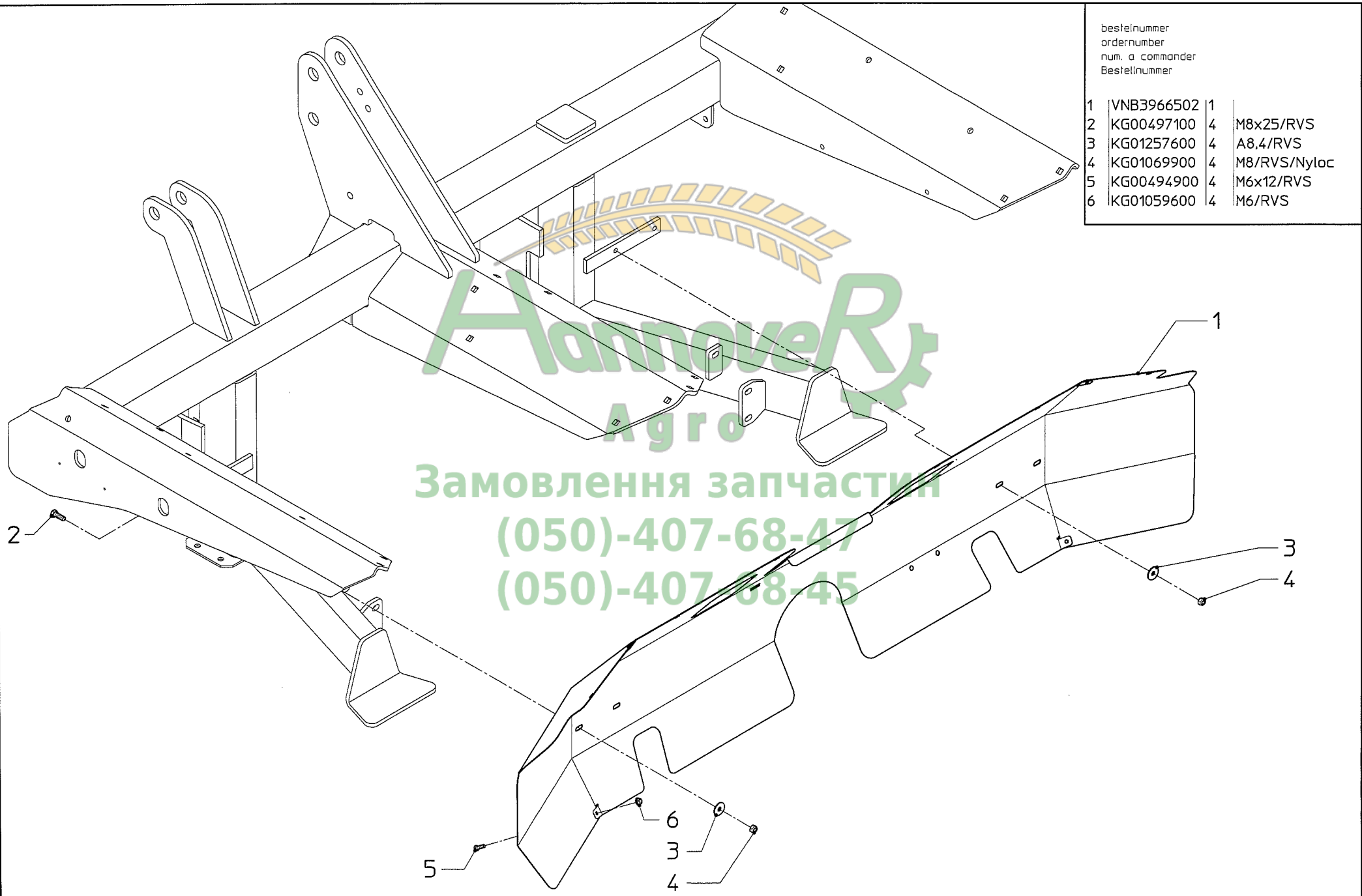
serial number 77153

D2

RO-M

bestelnummer
ordernumber
num. a commander
Bestellnummer

| | | | |
|---|------------|---|--------------|
| 1 | VNB3966502 | 1 | |
| 2 | KG00497100 | 4 | M8x25/RVS |
| 3 | KG01257600 | 4 | A8,4/RVS |
| 4 | KG01069900 | 4 | M8/RVS/Nyloc |
| 5 | KG00494900 | 4 | M6x12/RVS |
| 6 | KG01059600 | 4 | M6/RVS |

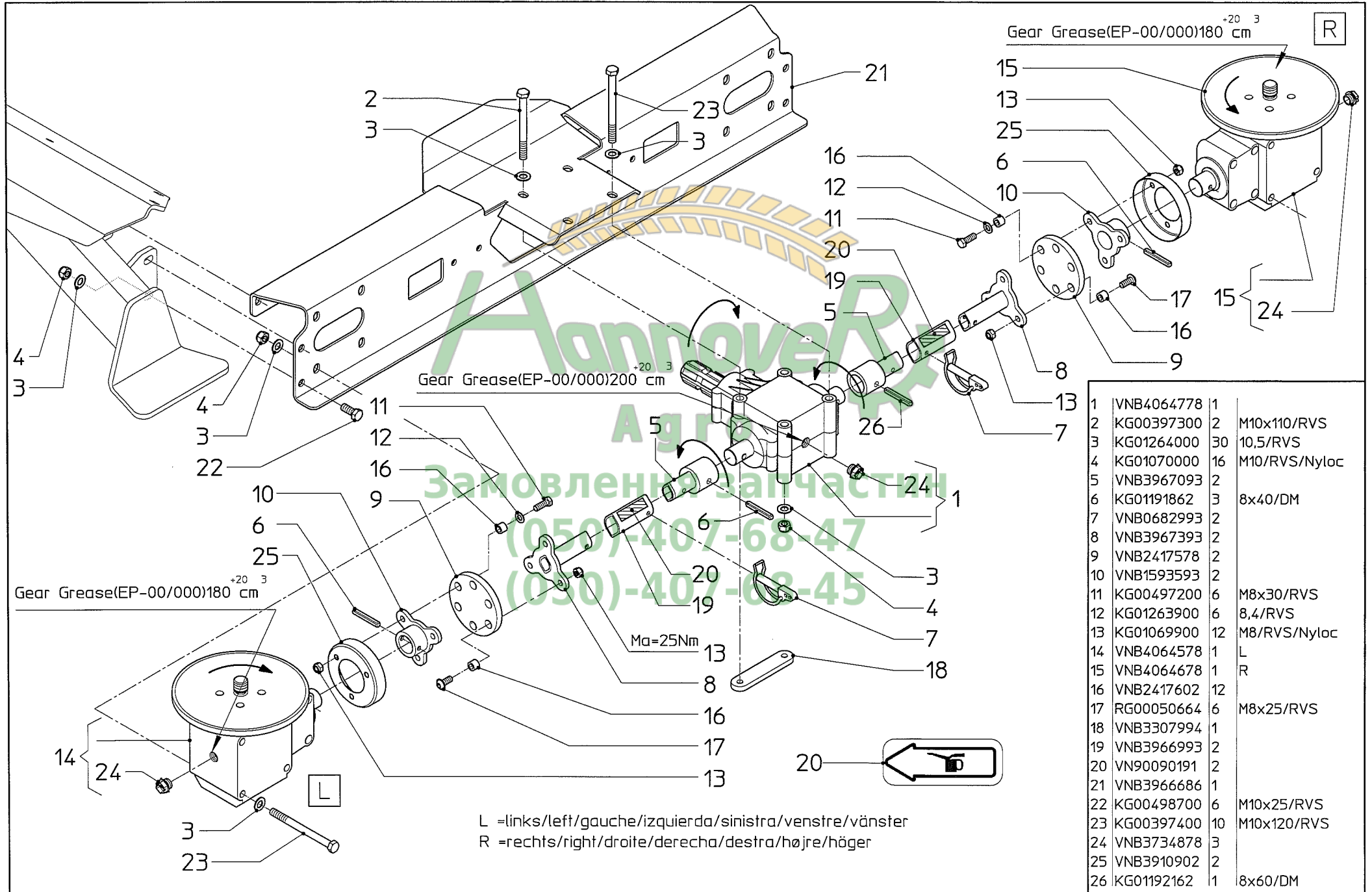


Замовлення запчастин
(050)-407-68-47
(050)-407-68-45

serial number 77153

D3

RO-M



| | | | |
|----|------------|----|---------------|
| 1 | VNB4064778 | 1 | |
| 2 | KG00397300 | 2 | M10x110/RVS |
| 3 | KG01264000 | 30 | 10,5/RVS |
| 4 | KG01070000 | 16 | M10/RVS/Nyloc |
| 5 | VNB3967093 | 2 | |
| 6 | KG01191862 | 3 | 8x40/DM |
| 7 | VNB0682993 | 2 | |
| 8 | VNB3967393 | 2 | |
| 9 | VNB2417578 | 2 | |
| 10 | VNB1593593 | 2 | |
| 11 | KG00497200 | 6 | M8x30/RVS |
| 12 | KG01263900 | 6 | 8,4/RVS |
| 13 | KG01069900 | 12 | M8/RVS/Nyloc |
| 14 | VNB4064578 | 1 | L |
| 15 | VNB4064678 | 1 | R |
| 16 | VNB2417602 | 12 | |
| 17 | RG00050664 | 6 | M8x25/RVS |
| 18 | VNB3307994 | 1 | |
| 19 | VNB3966993 | 2 | |
| 20 | VN90090191 | 2 | |
| 21 | VNB3966686 | 1 | |
| 22 | KG00498700 | 6 | M10x25/RVS |
| 23 | KG00397400 | 10 | M10x120/RVS |
| 24 | VNB3734878 | 3 | |
| 25 | VNB3910902 | 2 | |
| 26 | KG01192162 | 1 | 8x60/DM |

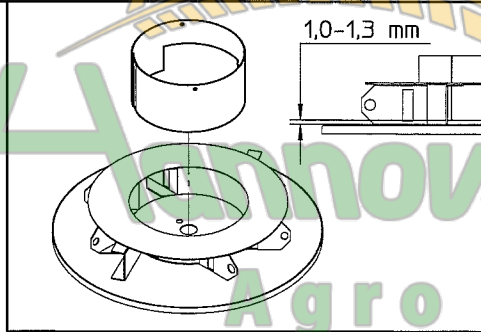
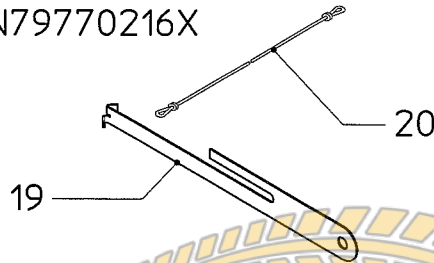
L =links/left/gauche/izquierda/sinistra/venstre/vänster
 R =rechts/right/droite/derecha/destra/højre/höger

serial number 77153

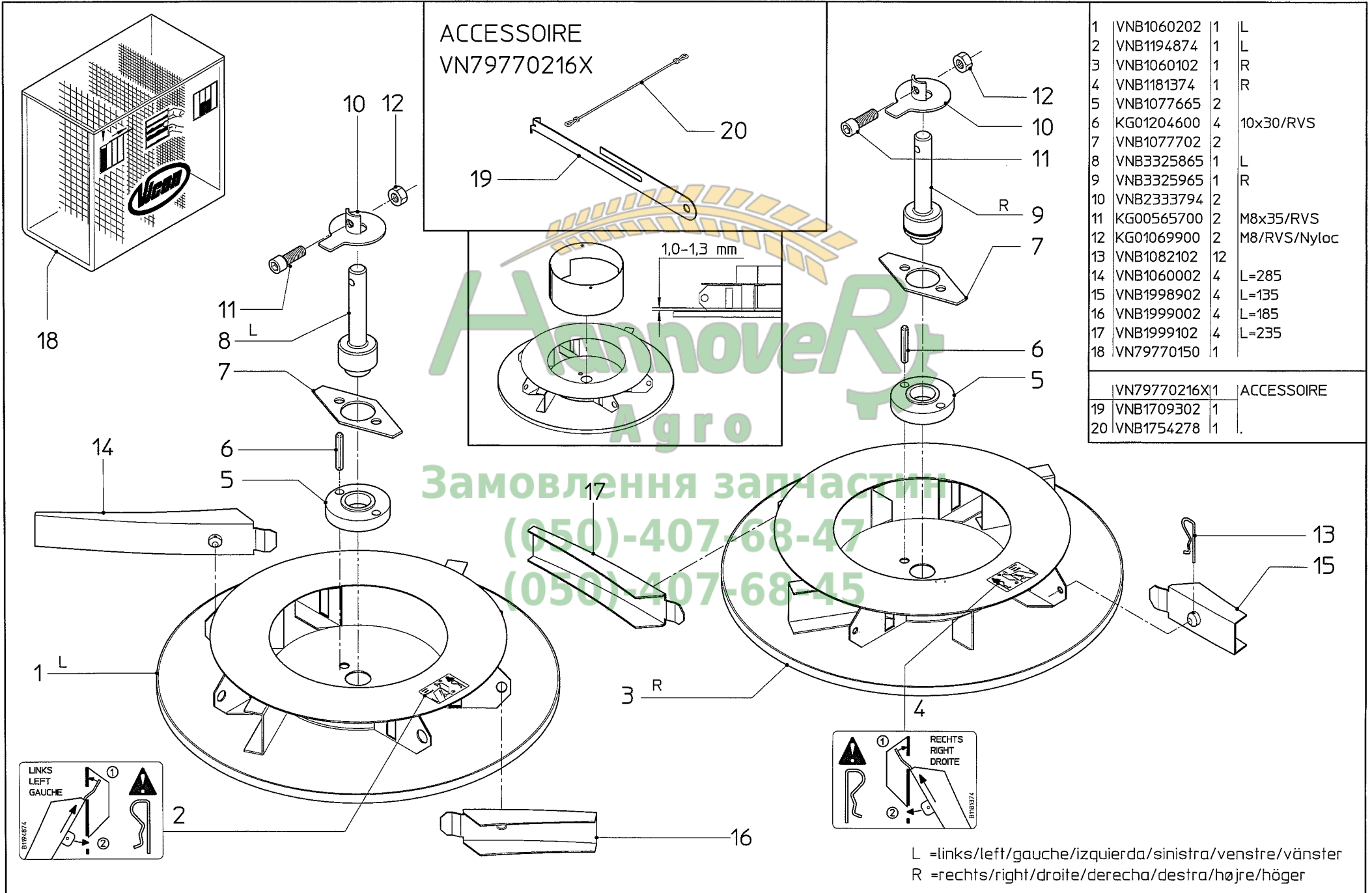
D4

RO-M

ACCESSOIRE
VN79770216X

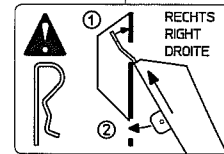
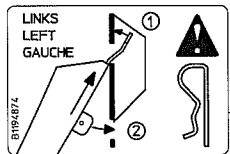


Агров
Замовлення запчастин
(050)-407-68-47
(050)-407-68-45



| | | | |
|----|------------|----|--------------|
| 1 | VNB1060202 | 1 | L |
| 2 | VNB1194874 | 1 | L |
| 3 | VNB1060102 | 1 | R |
| 4 | VNB1181374 | 1 | R |
| 5 | VNB1077665 | 2 | |
| 6 | KG01204600 | 4 | 10x30/RVS |
| 7 | VNB1077702 | 2 | |
| 8 | VNB3325865 | 1 | L |
| 9 | VNB3325965 | 1 | R |
| 10 | VNB2333794 | 2 | |
| 11 | KG00565700 | 2 | M8x35/RVS |
| 12 | KG01069900 | 2 | M8/RVS/Nylac |
| 13 | VNB1082102 | 12 | |
| 14 | VNB1060002 | 4 | L=285 |
| 15 | VNB1998902 | 4 | L=135 |
| 16 | VNB1999002 | 4 | L=185 |
| 17 | VNB1999102 | 4 | L=235 |
| 18 | VN79770150 | 1 | |

| | | | |
|----|-------------|---|------------|
| | VN79770216X | 1 | ACCESSOIRE |
| 19 | VNB1709302 | 1 | |
| 20 | VNB1754278 | 1 | |

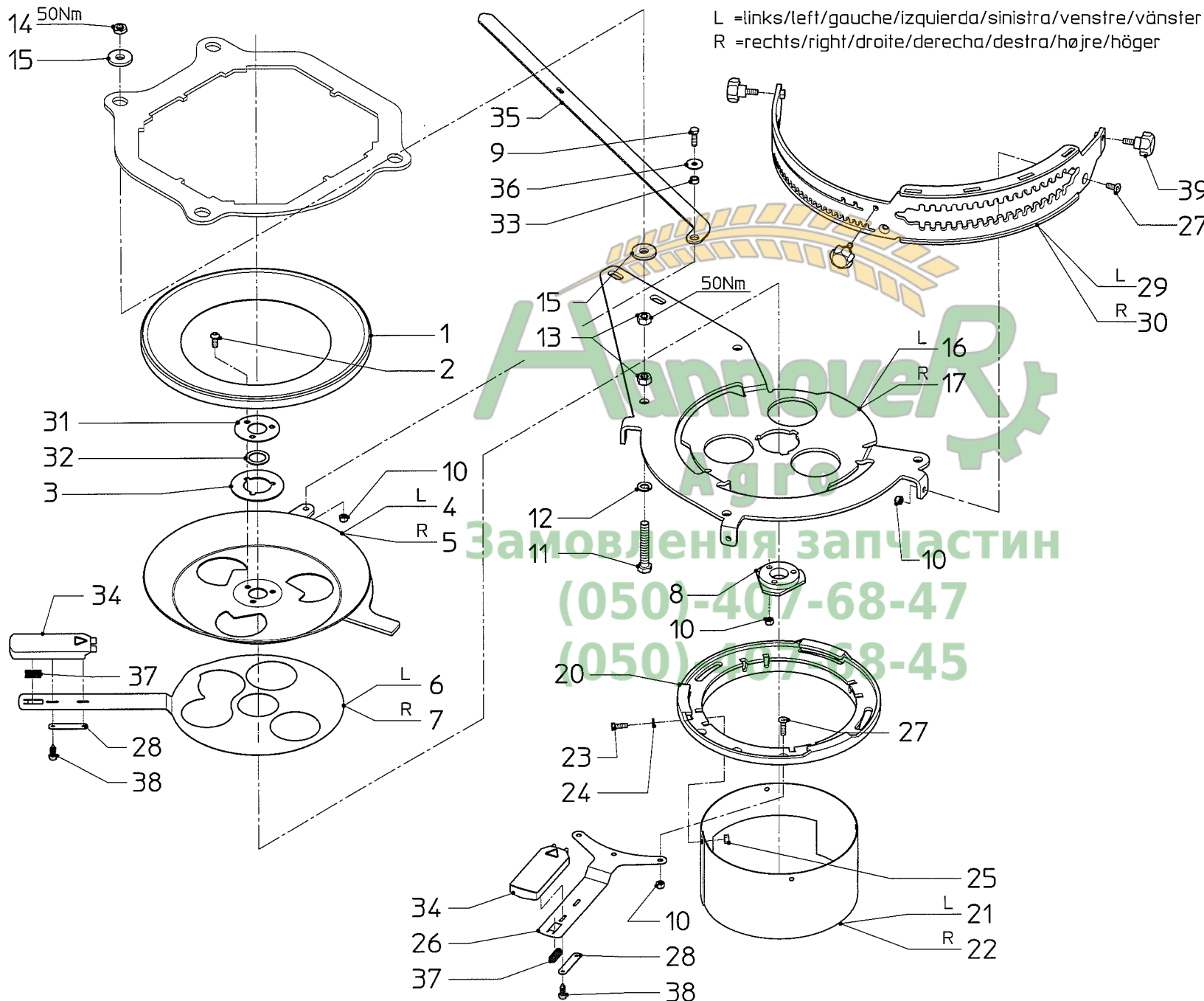


L =links/left/gauche/izquierda/sinistra/venstre/vänster
R =rechts/right/droite/derecha/destra/højre/höger

serial number 77153

D5

RO-M

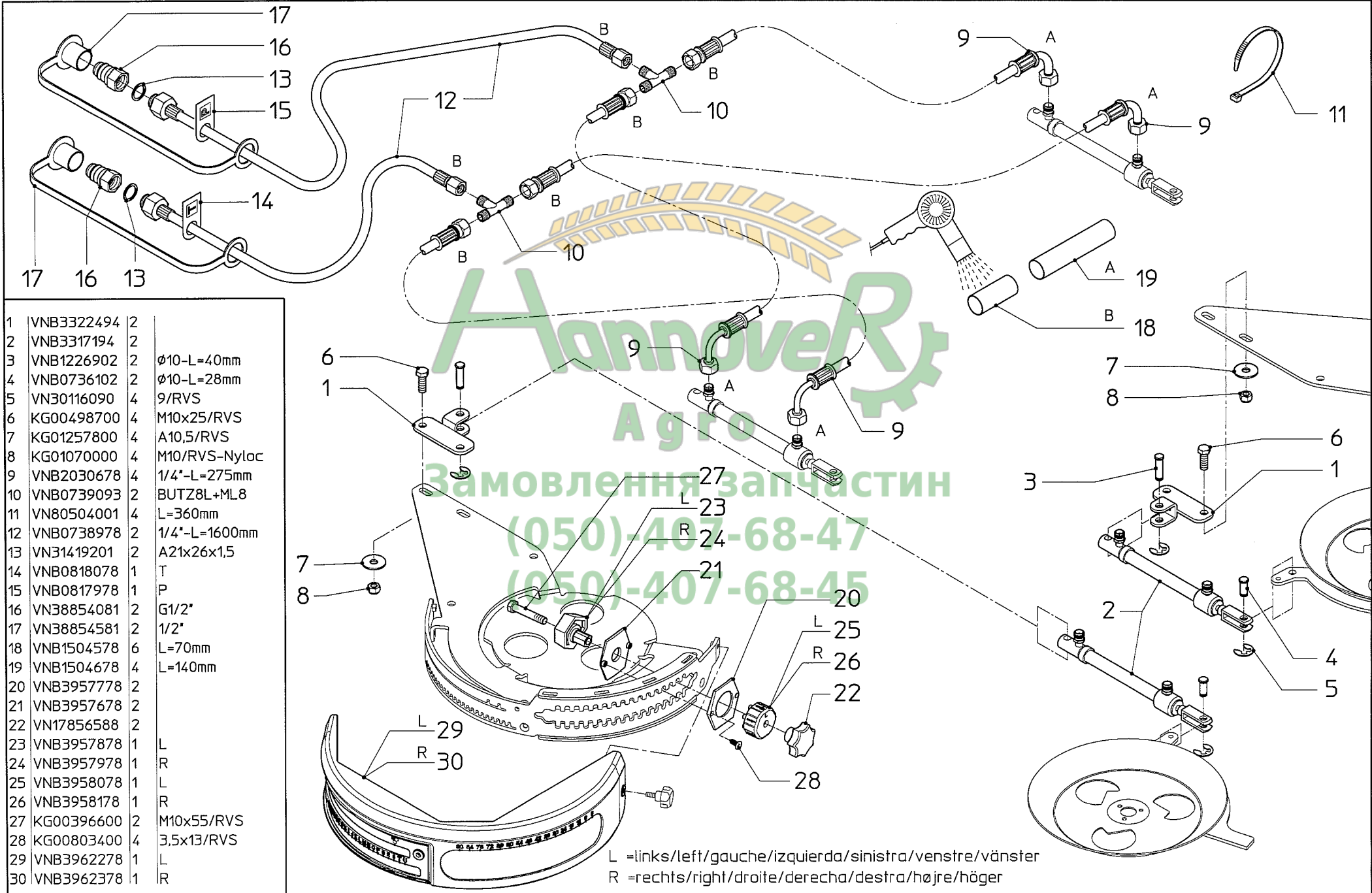


| bestelnummer | | ordernummer | | num. a commander | | Bestellnummer | |
|--------------|------------|-------------|----------------|------------------|--|---------------|--|
| 1 | VNB3317278 | 2 | | | | | |
| 2 | KG00738100 | 6 | M6x16/RVS | | | | |
| 3 | VNB4061702 | 2 | | | | | |
| 4 | VNB3969702 | 1 | L | | | | |
| 5 | VNB3969802 | 1 | R | | | | |
| 6 | VNB3957302 | 1 | L | | | | |
| 7 | VNB3957402 | 1 | R | | | | |
| 8 | VNB4073178 | 2 | | | | | |
| 9 | KG00495200 | 2 | M6x20/RVS | | | | |
| 10 | KG01069800 | 20 | M6/RVS/Nyloc | | | | |
| 11 | KG00499500 | 8 | M10x65/RVS | | | | |
| 12 | VN30117100 | 8 | A10 | | | | |
| 13 | KG01053800 | 16 | M10/RVS | | | | |
| 14 | KG01044900 | 8 | M10/RVS/Form B | | | | |
| 15 | VNB4042702 | 16 | | | | | |
| 16 | VNB3967598 | 1 | L | | | | |
| 17 | VNB3967698 | 1 | R | | | | |
| 20 | VNB1617078 | 2 | | | | | |
| 21 | VNB3970302 | 1 | L | | | | |
| 22 | VNB3970402 | 1 | R | | | | |
| 23 | KG00713700 | 8 | M5x16/RVS | | | | |
| 24 | KG01263700 | 8 | 5,3/RVS | | | | |
| 25 | KG01069700 | 8 | M5/RVS/Nyloc | | | | |
| 26 | VNB3957502 | 2 | | | | | |
| 27 | KG00870000 | 12 | M6x16/RVS | | | | |
| 28 | VNB3559902 | 4 | | | | | |
| 29 | VNB4042498 | 1 | L | | | | |
| 30 | VNB4042598 | 1 | R | | | | |
| 31 | VNB4059402 | 2 | | | | | |
| 32 | VNB4061978 | 2 | | | | | |
| 33 | VNB2003302 | 2 | | | | | |
| 34 | VNB3958278 | 4 | | | | | |
| 35 | VNB4042694 | 2 | | | | | |
| 36 | KG01257400 | 2 | A6,4/RVS | | | | |
| 37 | VNB3970002 | 4 | | | | | |
| 38 | KG00747600 | 8 | 3,5x9,5/RVS | | | | |
| 39 | VNB4077378 | 6 | | | | | |

serial number 77153

D6

RO-M



| | | | |
|----|------------|---|---------------|
| 1 | VNB3322494 | 2 | |
| 2 | VNB3317194 | 2 | |
| 3 | VNB1226902 | 2 | ∅10-L=40mm |
| 4 | VNB0736102 | 2 | ∅10-L=28mm |
| 5 | VN30116090 | 4 | 9/RVS |
| 6 | KG00498700 | 4 | M10x25/RVS |
| 7 | KG01257800 | 4 | A10,5/RVS |
| 8 | KG01070000 | 4 | M10/RVS-Nylac |
| 9 | VNB2030678 | 4 | 1/4"-L=275mm |
| 10 | VNB0739093 | 2 | BUTZ8L+ML8 |
| 11 | VN80504001 | 4 | L=360mm |
| 12 | VNB0738978 | 2 | 1/4"-L=1600mm |
| 13 | VN31419201 | 2 | A21x26x1,5 |
| 14 | VNB0818078 | 1 | T |
| 15 | VNB0817978 | 1 | P |
| 16 | VN38854081 | 2 | G1/2" |
| 17 | VN38854581 | 2 | 1/2" |
| 18 | VNB1504578 | 6 | L=70mm |
| 19 | VNB1504678 | 4 | L=140mm |
| 20 | VNB3957778 | 2 | |
| 21 | VNB3957678 | 2 | |
| 22 | VN17856588 | 2 | |
| 23 | VNB3957878 | 1 | L |
| 24 | VNB3957978 | 1 | R |
| 25 | VNB3958078 | 1 | L |
| 26 | VNB3958178 | 1 | R |
| 27 | KG00396600 | 2 | M10x55/RVS |
| 28 | KG00803400 | 4 | 3,5x13/RVS |
| 29 | VNB3962278 | 1 | L |
| 30 | VNB3962378 | 1 | R |

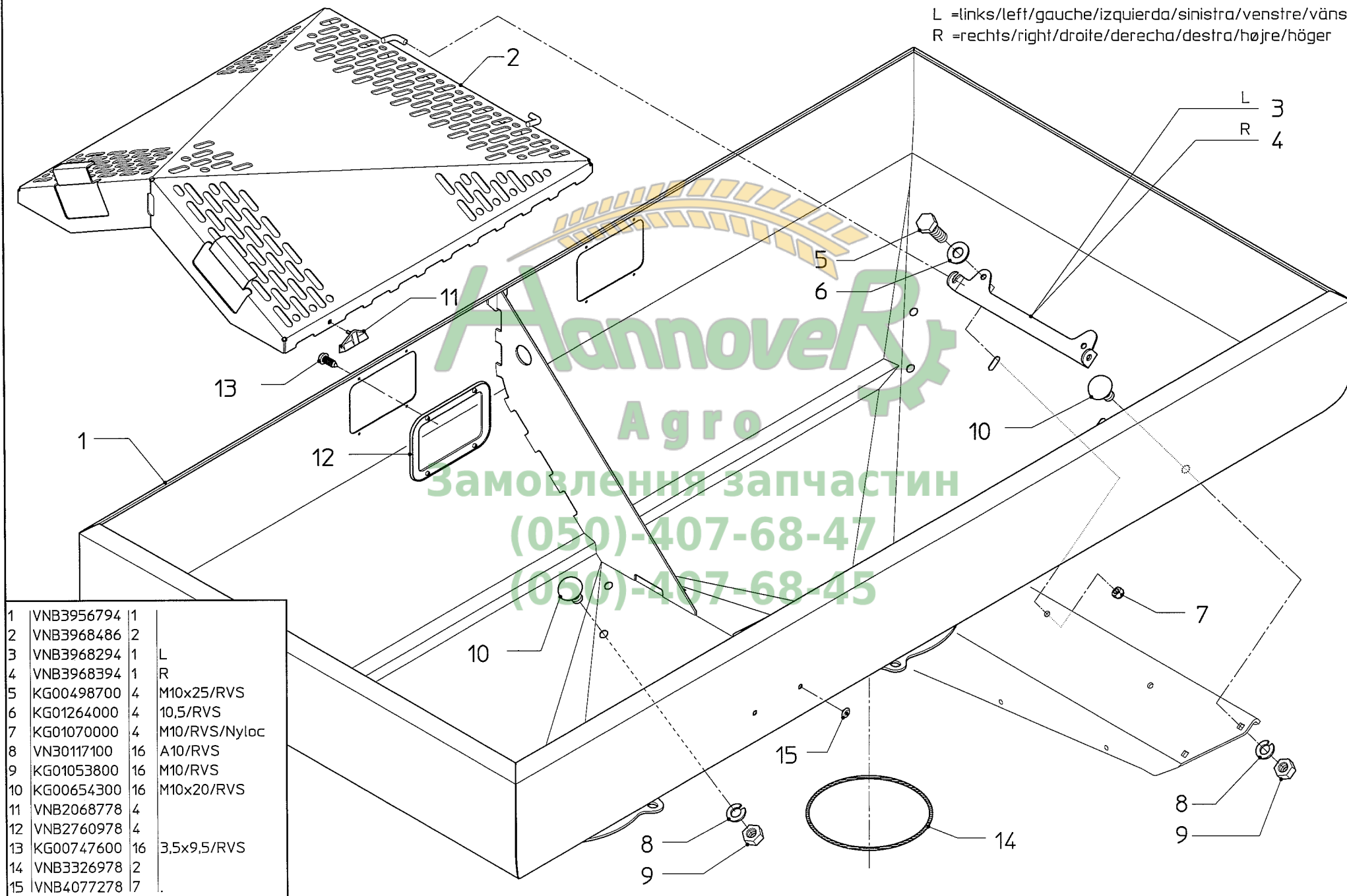
L =links/left/gauche/izquierda/sinistra/venstre/vänster
 R =rechts/right/droite/derecha/dextra/højre/höger

serial number 77153

D7

RO-M

L =links/left/gauche/izquierda/sinistra/venstre/vänster
R =rechts/right/droite/derecha/destra/højre/höger

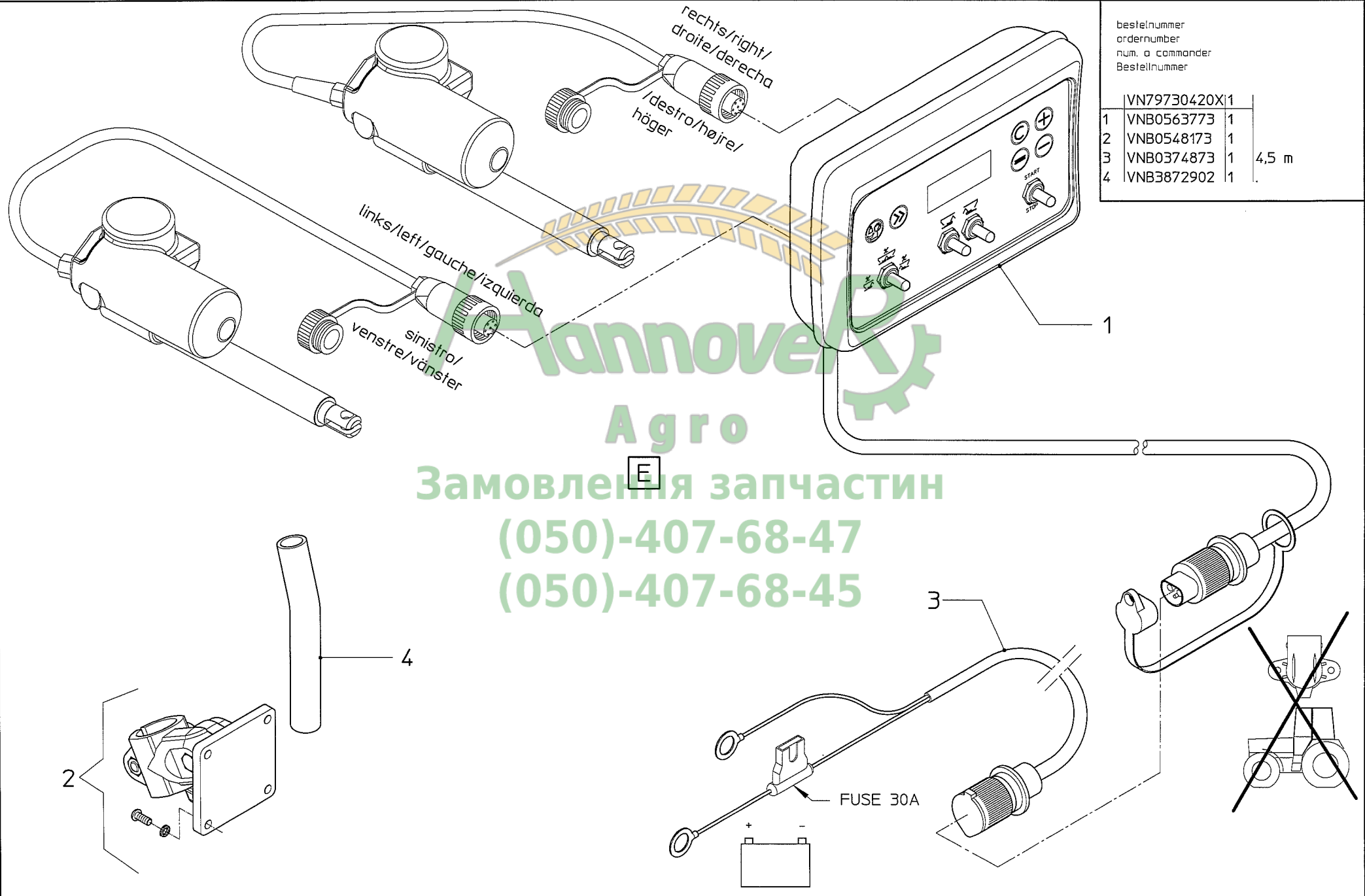


| | | | |
|----|------------|----|---------------|
| 1 | VNB3956794 | 1 | |
| 2 | VNB3968486 | 2 | |
| 3 | VNB3968294 | 1 | L |
| 4 | VNB3968394 | 1 | R |
| 5 | KG00498700 | 4 | M10x25/RVS |
| 6 | KG01264000 | 4 | 10,5/RVS |
| 7 | KG01070000 | 4 | M10/RVS/Nyloc |
| 8 | VN30117100 | 16 | A10/RVS |
| 9 | KG01053800 | 16 | M10/RVS |
| 10 | KG00654300 | 16 | M10x20/RVS |
| 11 | VNB2068778 | 4 | |
| 12 | VNB2760978 | 4 | |
| 13 | KG00747600 | 16 | 3,5x9,5/RVS |
| 14 | VNB3326978 | 2 | |
| 15 | VNB4077278 | 7 | |

serial number 77153

D8

RO-M



bestelnummer
ordernumber
num. o commander
Bestellnummer

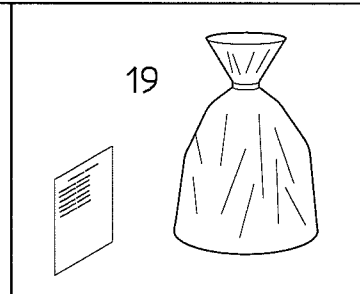
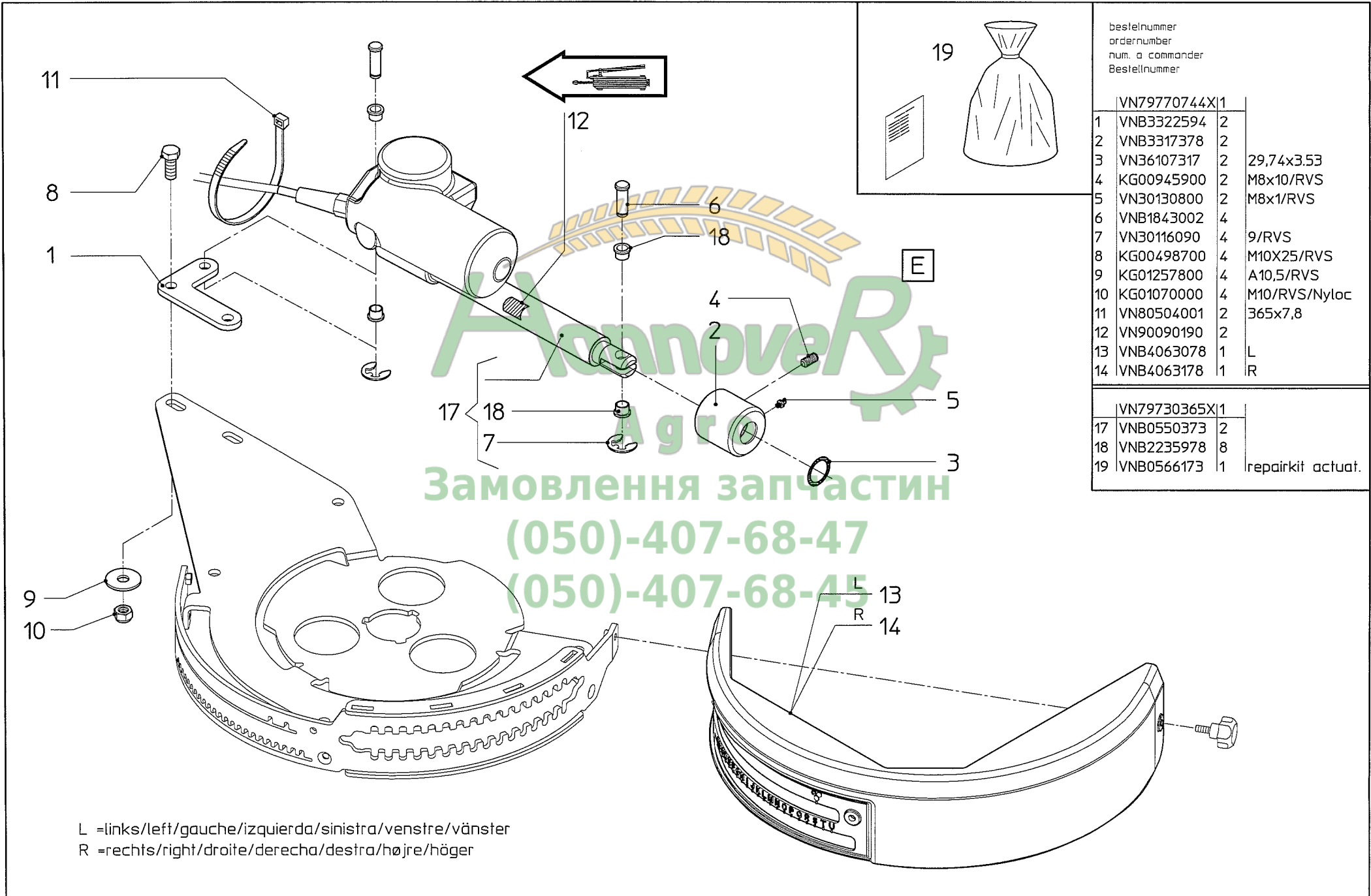
| | |
|--------------|--------------------|
| VN79730420X1 | |
| 1 | VNB0563773 1 |
| 2 | VNB0548173 1 |
| 3 | VNB0374873 1 4,5 m |
| 4 | VNB3872902 1 |

E
Замовлення запчастин
(050)-407-68-47
(050)-407-68-45

serial number 77153

D9

RO-M



| | |
|------------------|--------------------------------|
| bestelnummer | VN79770744X1 |
| ordernumber | |
| num. a commander | |
| Bestellnummer | |
| 1 | VNB3322594 2 |
| 2 | VNB3317378 2 |
| 3 | VN36107317 2 29,74x3.53 |
| 4 | KG00945900 2 M8x10/RVS |
| 5 | VN30130800 2 M8x1/RVS |
| 6 | VNB1843002 4 |
| 7 | VN30116090 4 9/RVS |
| 8 | KG00498700 4 M10X25/RVS |
| 9 | KG01257800 4 A10,5/RVS |
| 10 | KG01070000 4 M10/RVS/Nyloc |
| 11 | VN80504001 2 365x7,8 |
| 12 | VN90090190 2 |
| 13 | VNB4063078 1 L |
| 14 | VNB4063178 1 R |
| <hr/> | |
| VN79730365X1 | |
| 17 | VNB0550373 2 |
| 18 | VNB2235978 8 |
| 19 | VNB0566173 1 repairkit actuat. |

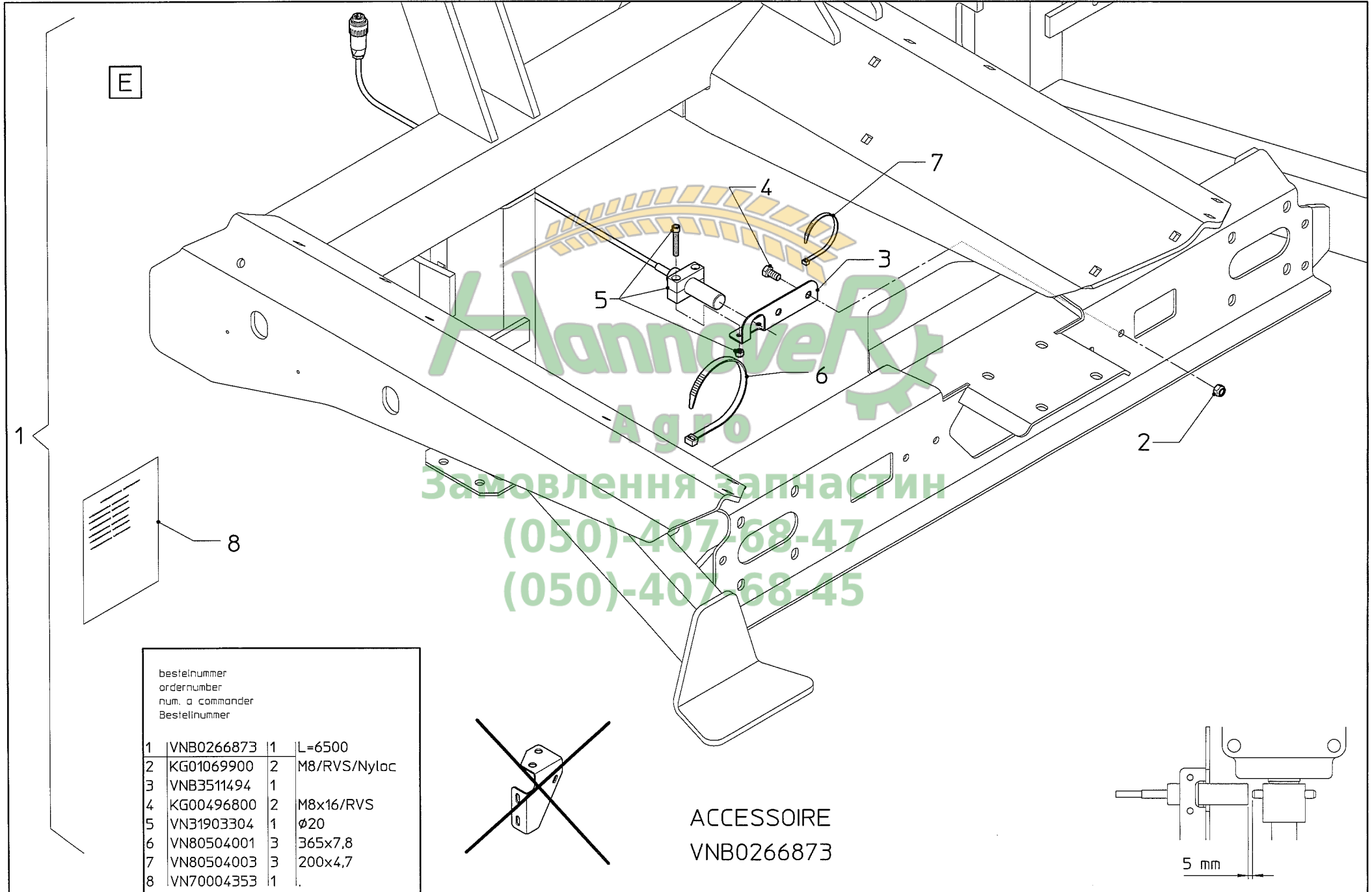
Замовлення запчастин
 (050)-407-68-47
 (050)-407-68-45

L =links/left/gauche/izquierda/sinistra/venstre/vänster
 R =rechts/right/droite/derecha/destra/højre/höger

serial number 77153

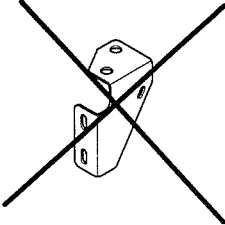
D10

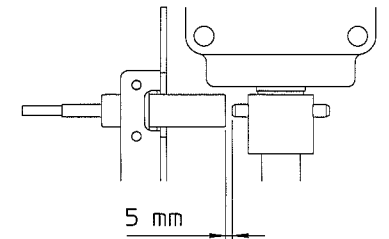
RO-M



bestelnummer
ordernumber
num. a commander
Bestellnummer

| | | | |
|---|------------|---|--------------|
| 1 | VNB0266873 | 1 | L=6500 |
| 2 | KG01069900 | 2 | M8/RVS/Nyloc |
| 3 | VNB3511494 | 1 | |
| 4 | KG00496800 | 2 | M8x16/RVS |
| 5 | VN31903304 | 1 | ø20 |
| 6 | VN80504001 | 3 | 365x7,8 |
| 7 | VN80504003 | 3 | 200x4,7 |
| 8 | VN70004353 | 1 | |

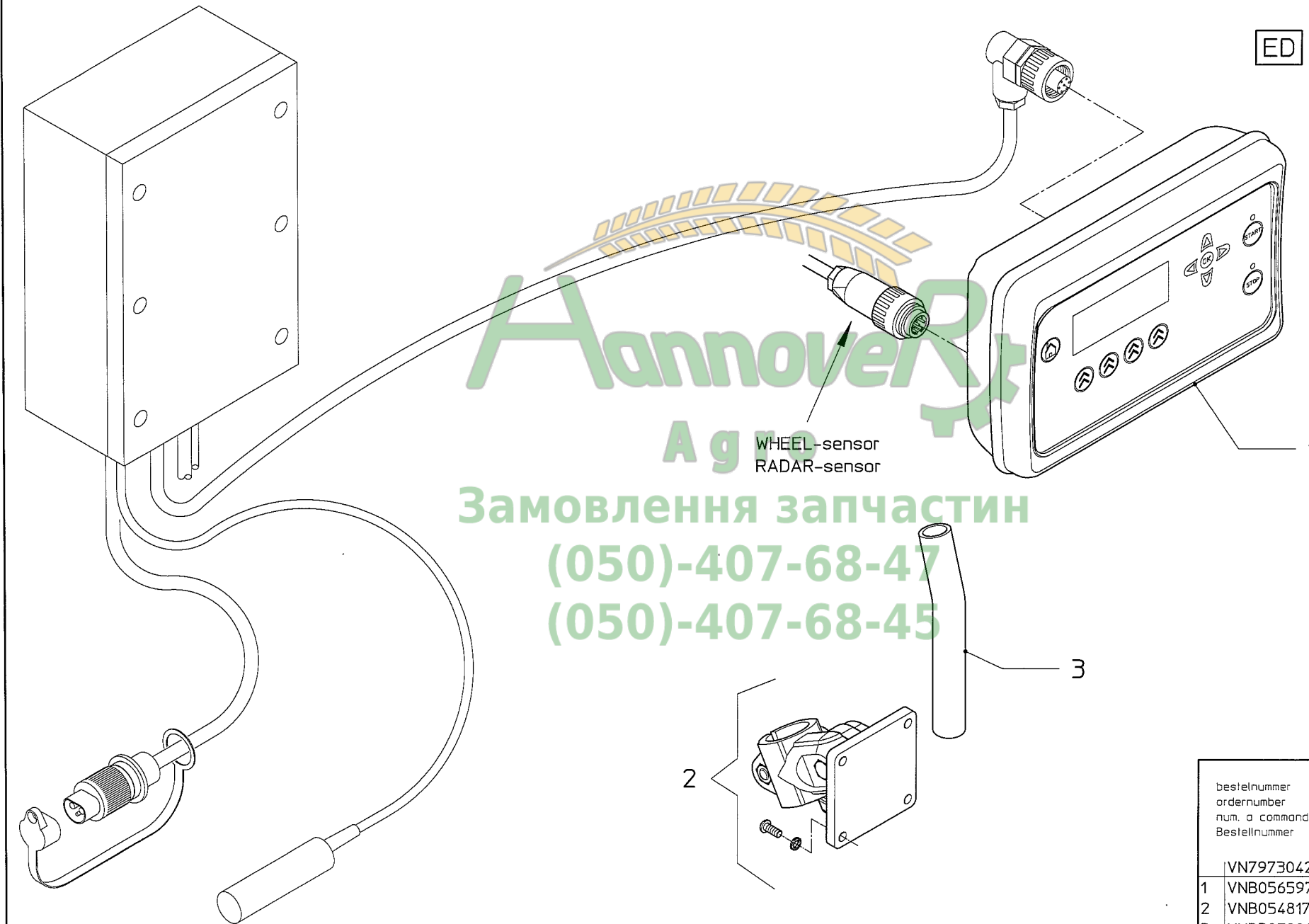
~~~~
ACCESSOIRE
VNB0266873



serial number 77153

D11

RO-M



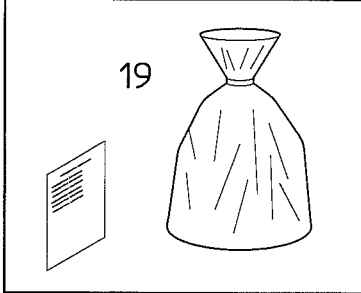
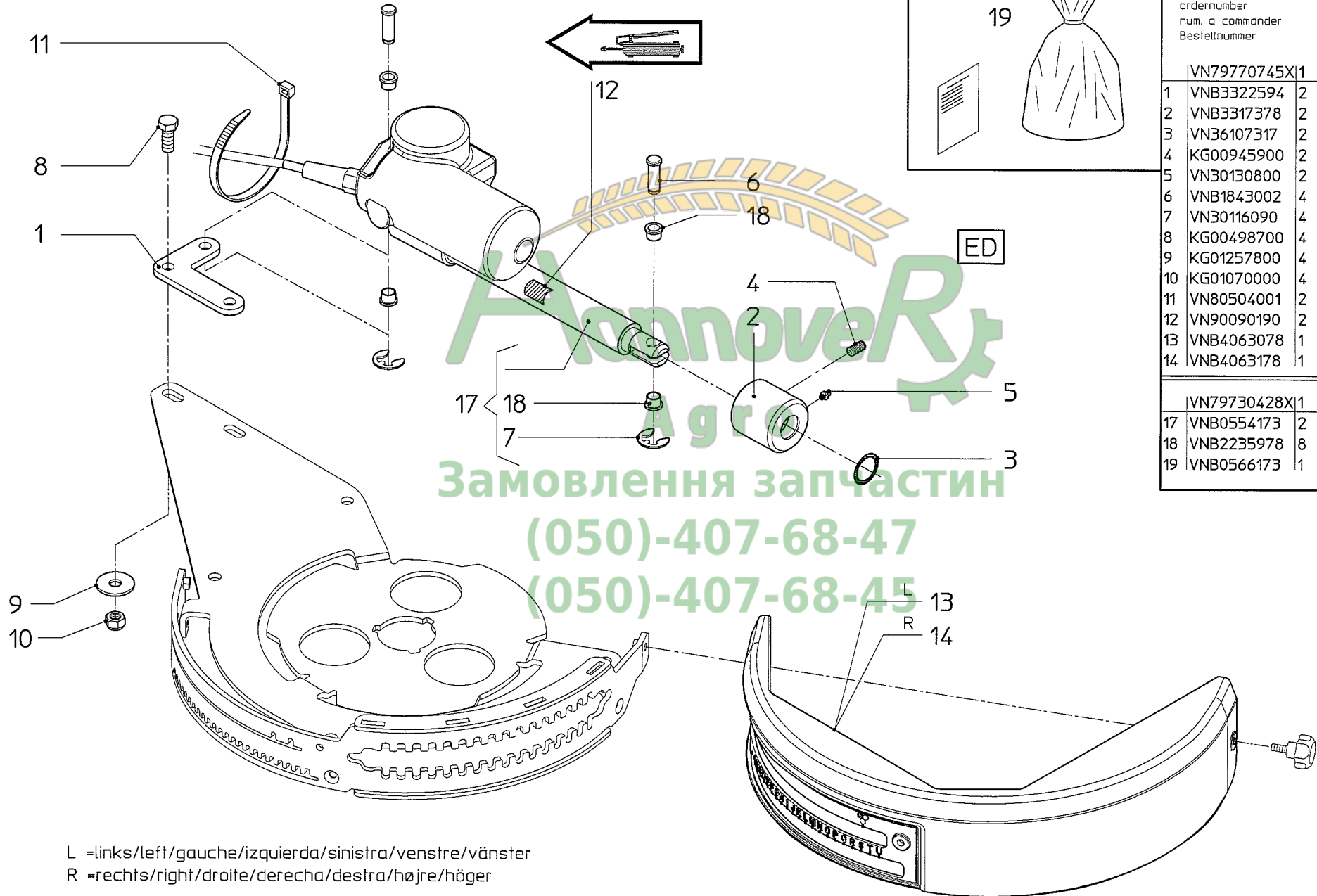
Замовлення запчастин
(050)-407-68-47
(050)-407-68-45

| | | |
|------------------|--------------|---|
| bestelnummer | | |
| ordernumber | | |
| num. a commander | | |
| Bestellnummer | | |
| | VN79730429X1 | |
| 1 | VNB0565973 | 1 |
| 2 | VNB0548173 | 1 |
| 3 | VNB3872902 | 1 |

serial number 77153

D12

RO-M



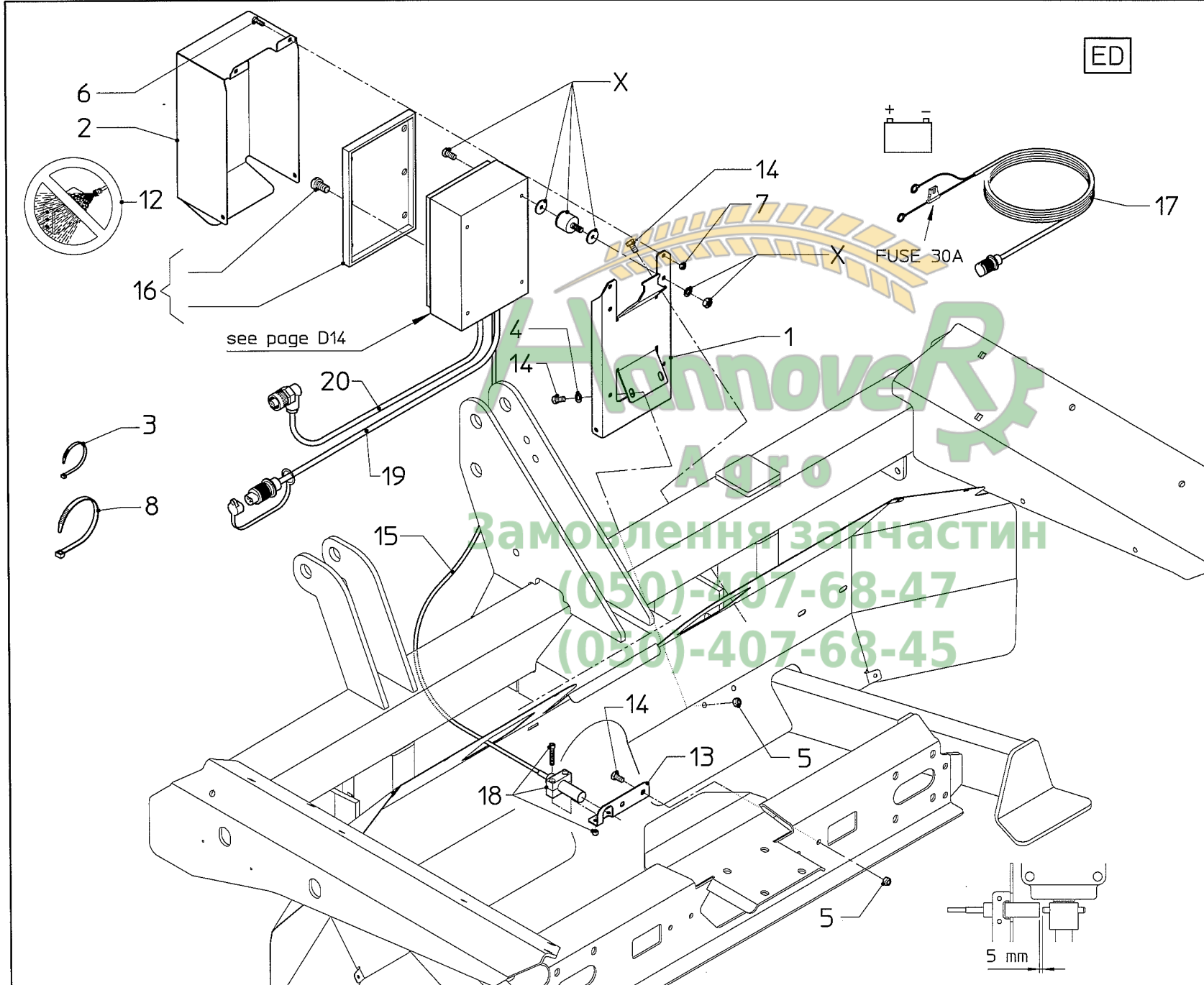
| | | | |
|------------------|--------------|---|-------------------|
| bestelnummer | VN79770745X1 | | |
| ordernumber | | | |
| num. a commander | | | |
| Bestellnummer | | | |
| 1 | VNB3322594 | 2 | |
| 2 | VNB3317378 | 2 | |
| 3 | VN36107317 | 2 | 29,74x3.53 |
| 4 | KG00945900 | 2 | M8x10/RVS |
| 5 | VN30130800 | 2 | M8x1/RVS |
| 6 | VNB1843002 | 4 | |
| 7 | VN30116090 | 4 | 9/RVS |
| 8 | KG00498700 | 4 | M10X25/RVS |
| 9 | KG01257800 | 4 | A10,5/RVS |
| 10 | KG01070000 | 4 | M10/RVS/Nyloc |
| 11 | VN80504001 | 2 | 365x7,8 |
| 12 | VN90090190 | 2 | |
| 13 | VNB4063078 | 1 | L |
| 14 | VNB4063178 | 1 | R |
| | | | |
| | VN79730428X1 | | |
| 17 | VNB0554173 | 2 | |
| 18 | VNB2235978 | 8 | |
| 19 | VNB0566173 | 1 | repairkit actual. |

L =links/left/gauche/izquierda/sinistra/venstre/vänster
 R =rechts/right/droite/derecha/destra/højre/höger

serial number 77153

D13

RO-M



| bestelnummer | | ordernumber | | num. o commander | | Bestellnummer | |
|--------------|------------|-------------|--------------|------------------|--|---------------|--|
| VN79770745X1 | | | | | | | |
| 1 | VNB4101294 | 1 | | | | | |
| 2 | VNB4101394 | 1 | | | | | |
| 3 | VN80504003 | 6 | 200x4,7 | | | | |
| 4 | KG01263900 | 2 | 8,4/RVS | | | | |
| 5 | KG01069900 | 6 | M8/RVS/Nyloc | | | | |
| 6 | KG00494900 | 4 | M6x12/RVS | | | | |
| 7 | KG01069800 | 4 | M6/RVS/Nyloc | | | | |
| 8 | VN80504001 | 2 | 365x7,8 | | | | |
| 12 | VNB2426674 | 1 | | | | | |
| 13 | VNB3511494 | 1 | | | | | |
| 14 | KG00496800 | 6 | M8x16/RVS | | | | |

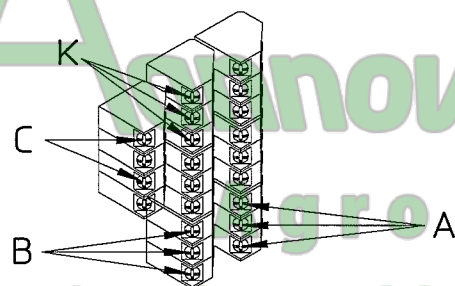
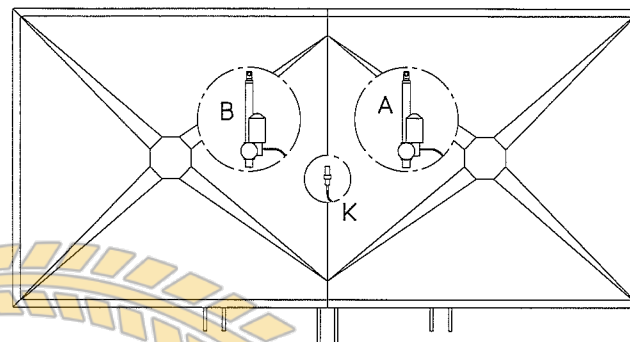
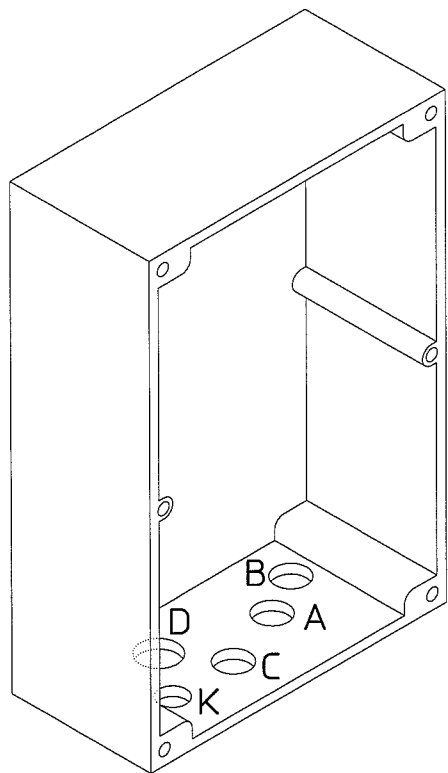
| VN79730428X1 | | | |
|--------------|------------|---|-------|
| 15 | VNB0446473 | 1 | 2 m |
| 16 | VNB0489473 | 1 | |
| 17 | VNB0374873 | 1 | 4,5 m |
| 18 | VN31903304 | 1 | Ø20 |
| 19 | VNB0268173 | 1 | 6 m |
| 20 | VNB0260173 | 1 | 6 m |
| X | VNB2559578 | 4 | |

Ханновер Агро
 Заповнення замчастин
 (050)-407-68-47
 (030)-407-68-45

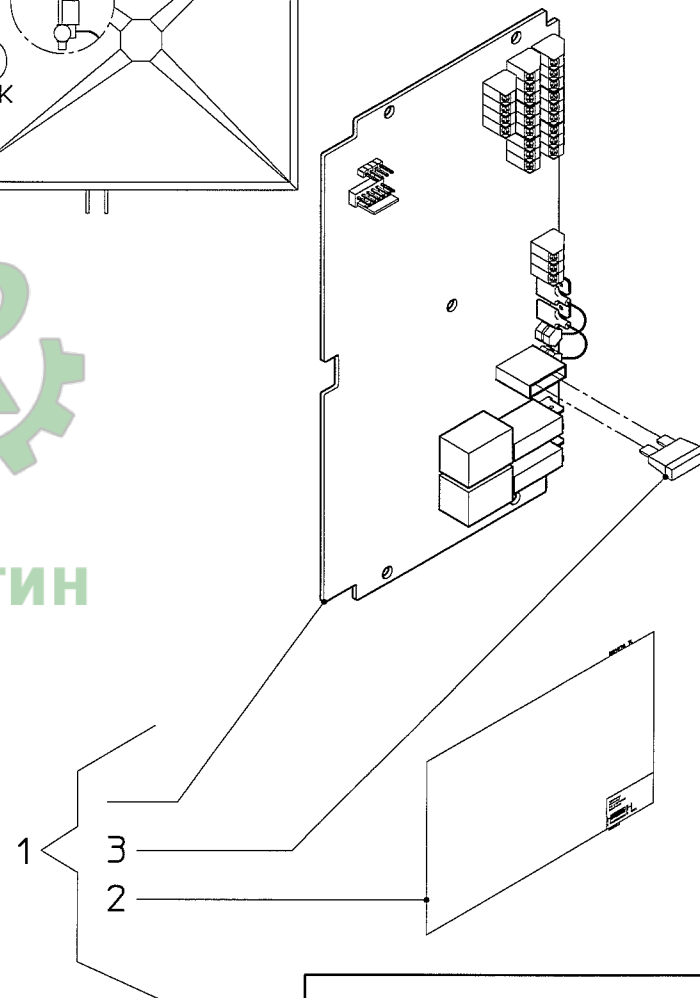
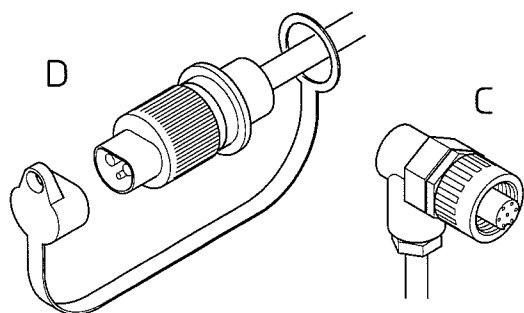
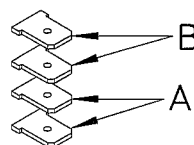
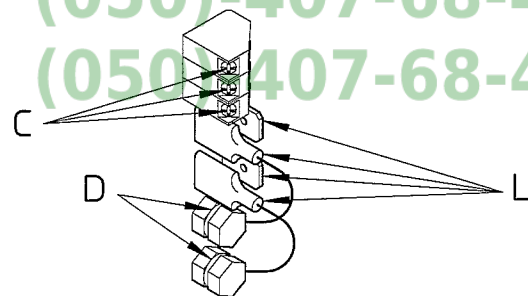
serial number 77153

D14

RO-M



Замовлення запчастин
(050)-407-68-47
(050)-407-68-45



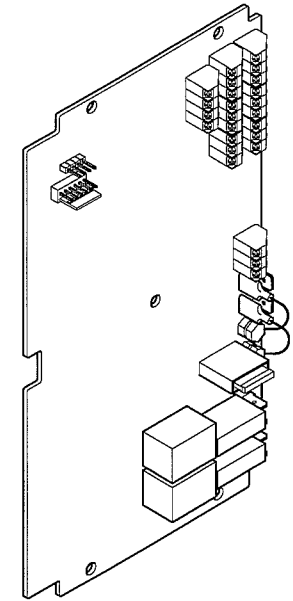
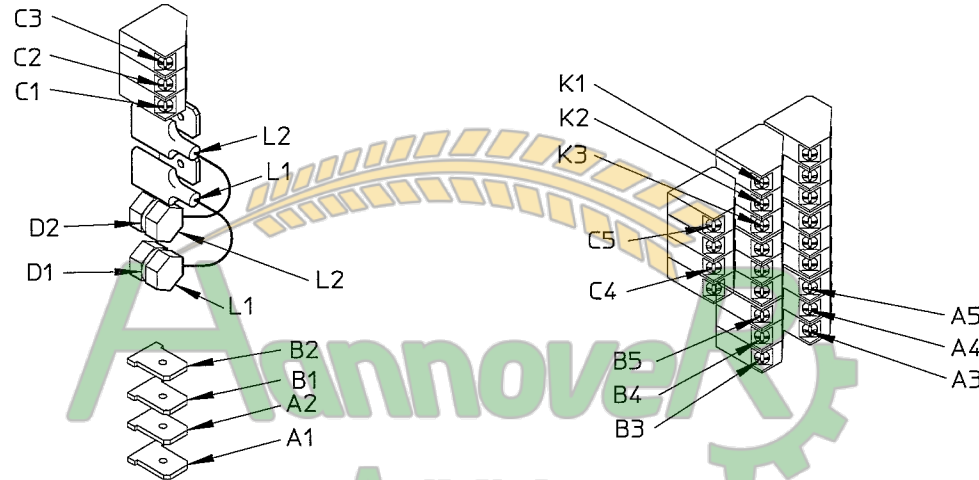
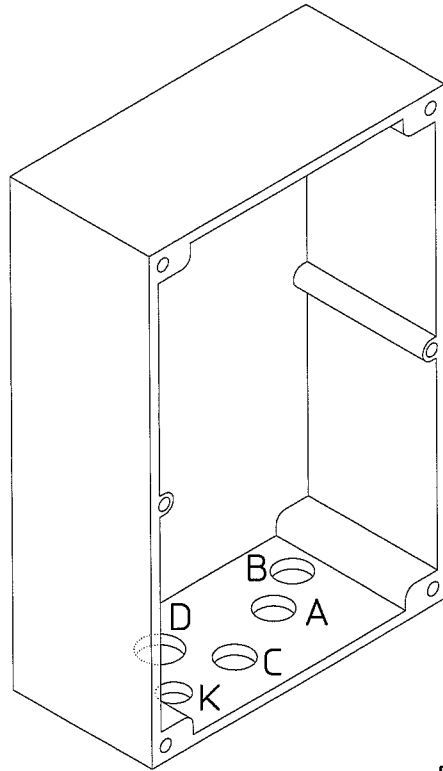
bestellnummer
ordernumber
num. a commander
Bestellnummer

| | | | |
|---|------------|---|-----|
| 1 | VN79730450 | 1 | |
| 2 | VN70009784 | 1 | |
| 3 | VNB0064273 | 1 | 25A |

serial number 77153

D15

RO-M



Замовлення запчастин

(050)-407-68-47

(050)-407-68-45

| KLEUR | COLOR | KABEL CABLE CÂBLE CAVO | FARBE | COULEUR | COLOR | COLORE | FARVE | FÄRG |
|-------------------|---------------------|---------------------------------|---------------------|--------------------|-----------------------|-----------------------|-------------------|------------------|
| geel+rood | yellow+red | A1 & B1 | gelb+rot | jaune+rouge | amarillo+rojo | giallo+rosso | gul+rød | gul+röd |
| wit(oranje)+groen | white(orange)+green | A2 & B2 | weiss(orange)+gruen | blanc(orange)+vert | blanco(naranja)+verde | bianco(arancia)+verde | hvid(orange)+grøn | vit(orange)+grön |
| bruin | brown | A3 & B3 | braun | brun | maron | marrone | brun | brun |
| blauw | blue | A4 & B4 | blau | bleu | azul | azzurro | blå | blå |
| zwart | black | A5 & B5 | schwarz | noir | negro | nero | sort | svart |
| zwart | black | C1 | schwarz | noir | negro | nero | sort | svart |
| groen | green | C2 | gruen | vert | verde | verde | grøn | grön |
| oranje | orange | C3 | orange | orange | naranzo | arancia | orange | orange |
| geel | yellow | C4 | gelb | jaune | amarillo | giallo | gul | gul |
| blauw | blue | C5 | blau | bleu | azul | azzurro | blå | blå |
| bruin | brown | D1 | braun | brun | maron | marrone | brun | brun |
| blauw | blue | D2 | blau | bleu | azul | azzurro | blå | blå |
| blauw | blue | K1 | blau | bleu | azul | azzurro | blå | blå |
| zwart | black | K2 | schwarz | noir | negro | nero | sort | svart |
| bruin | brown | K3 | braun | brun | maron | marrone | brun | brun |
| rood | red | L1 | rot | rouge | rojo | rosso | rød | röd |
| zwart | black | L2 | schwarz | noir | negro | nero | sort | svart |

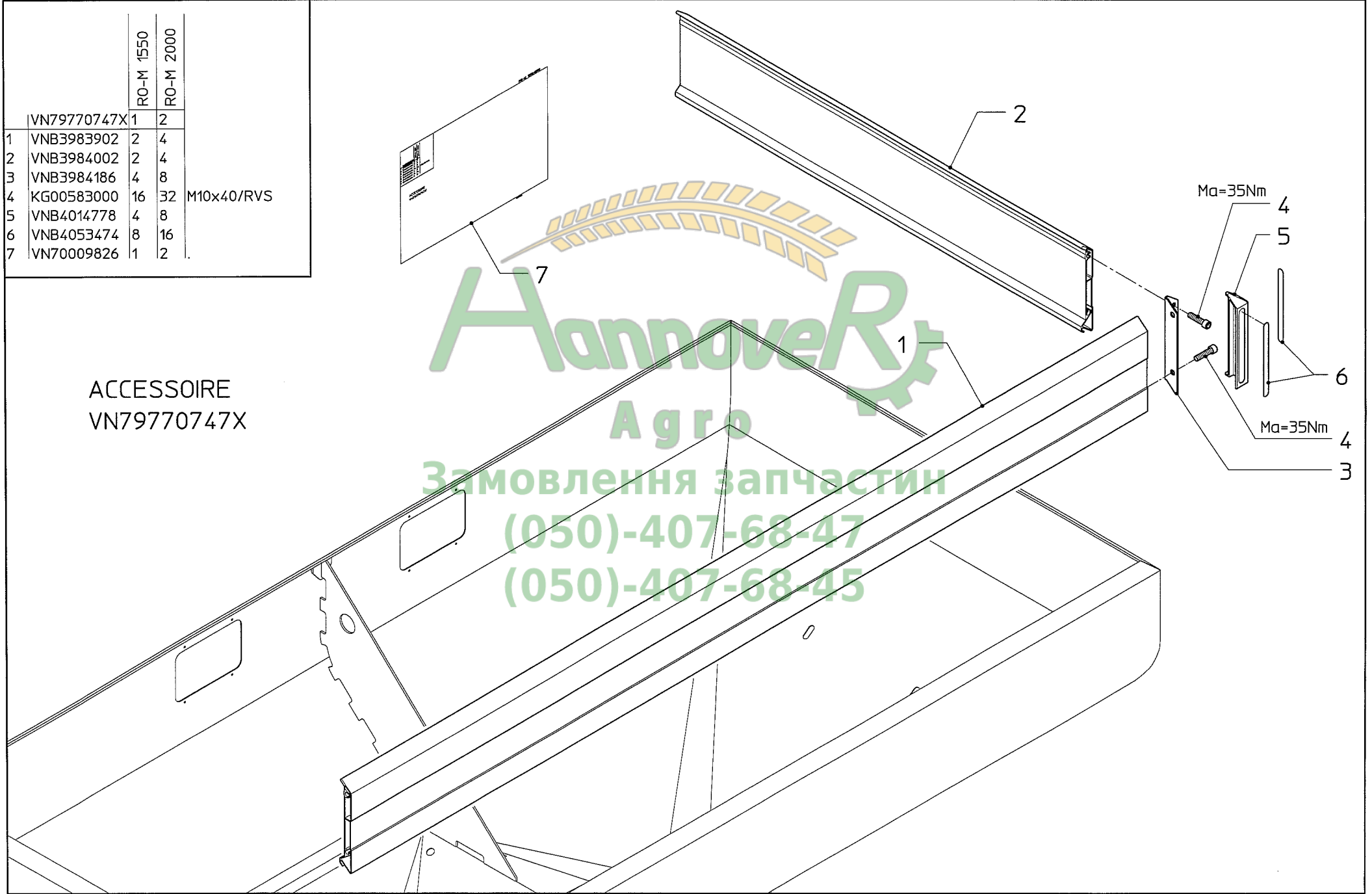
serial number 77153

D16

RO-M 1550/2000

| | RO-M 1550 | RO-M 2000 |
|--------------|-----------|-----------|
| VN79770747X | 1 | 2 |
| 1 VNB3983902 | 2 | 4 |
| 2 VNB3984002 | 2 | 4 |
| 3 VNB3984186 | 4 | 8 |
| 4 KG00583000 | 16 | 32 |
| 5 VNB4014778 | 4 | 8 |
| 6 VNB4053474 | 8 | 16 |
| 7 VN70009826 | 1 | 2 |

M10x40/RVS



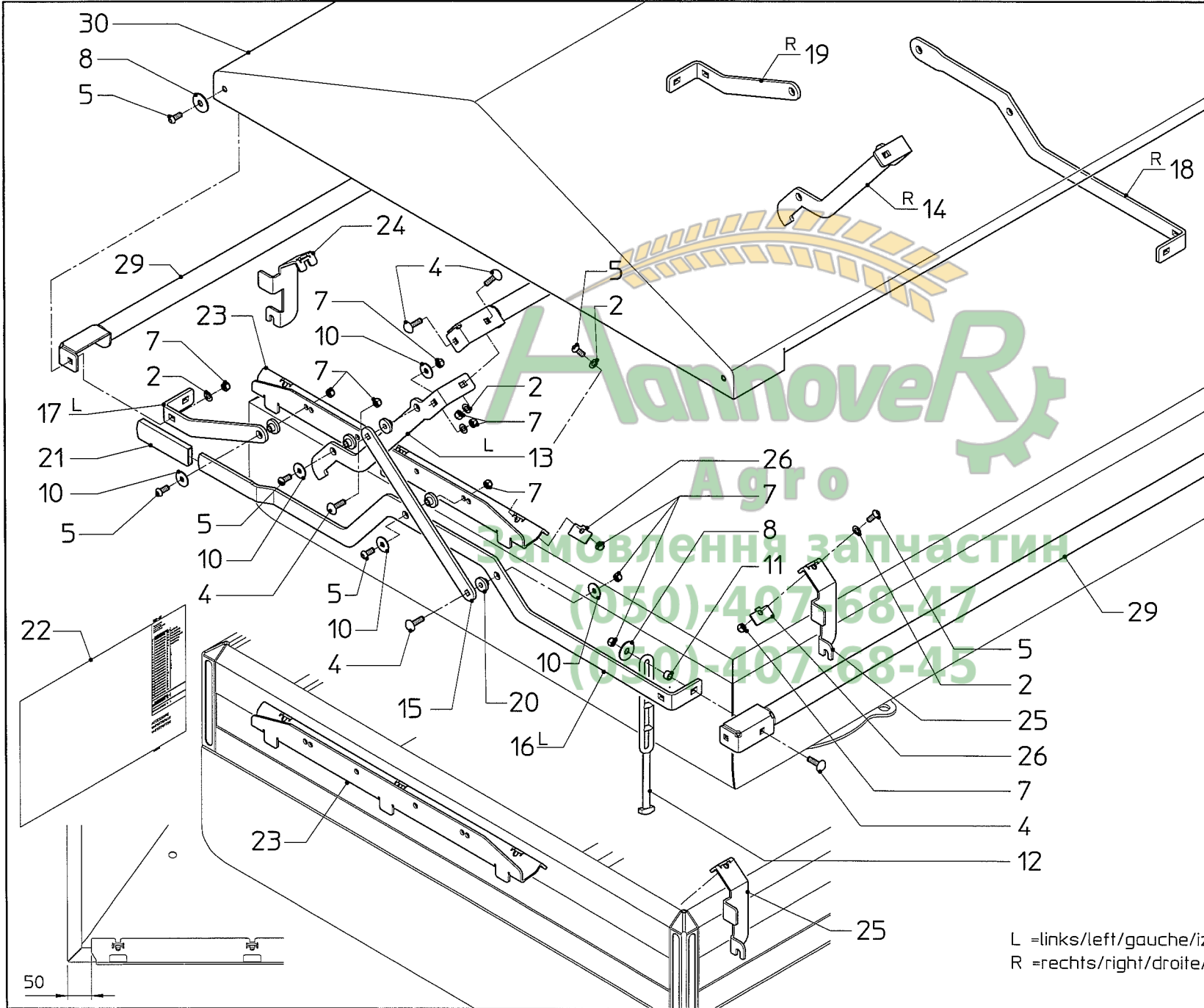
ACCESSOIRE
VN79770747X

Hannover
Agro
Замовлення запчастин
(050)-407-68-47
(050)-407-68-45

serial number 77153

E1

RO-M



bestelnummer
ordernumber
num. a commander
Bestellnummer

| | | | |
|----|-------------|----|--------------|
| | VN79770764X | 1 | |
| 2 | KG01263900 | 18 | 8,4/RVS |
| 4 | KG00652900 | 12 | M8x30/RVS |
| 5 | KG00739500 | 20 | M8x25/RVS |
| 7 | KG01069900 | 32 | M8/RVS/Nylac |
| 8 | KG01257800 | 8 | A10,5/RVS |
| 10 | KG01257600 | 10 | A8,4/RVS |
| 11 | VNB2092402 | 4 | |
| 12 | VNB3443478 | 4 | |
| 13 | VNB4079194 | 1 | L |
| 14 | VNB4079294 | 1 | R |
| 15 | VNB4079394 | 2 | |
| 16 | VNB4078994 | 1 | L |
| 17 | VNB3603394 | 1 | L |
| 18 | VNB4079094 | 1 | R |
| 19 | VNB3603594 | 1 | R |
| 20 | VNB3603602 | 10 | |
| 21 | VN90070600 | 1 | |
| 22 | VN70009844 | 1 | |
| 23 | VNB4079494 | 2 | |
| 24 | VNB4078694 | 2 | |
| 25 | VNB4078594 | 2 | |
| 26 | VNB4078402 | 10 | |

| | | |
|----|-------------|----|
| | VN79770772X | 1 |
| 29 | VNB4078794 | 13 |
| 30 | VNB4079678 | 11 |

ACCESSOIRE
VN79770764X
VN79770772X

L =links/left/gauche/izquierda/sinistra/venstre/vänster
R =rechts/right/droite/derecha/dextra/højre/höger

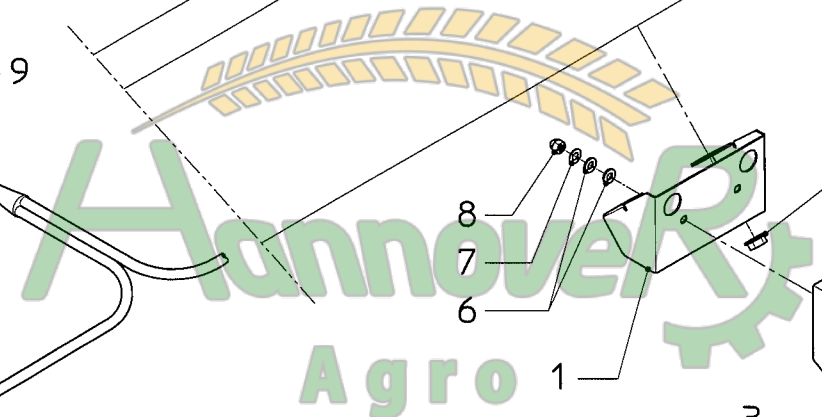
serial number 77153

E2

RO-M

ACCESSOIRE
VN79770767X

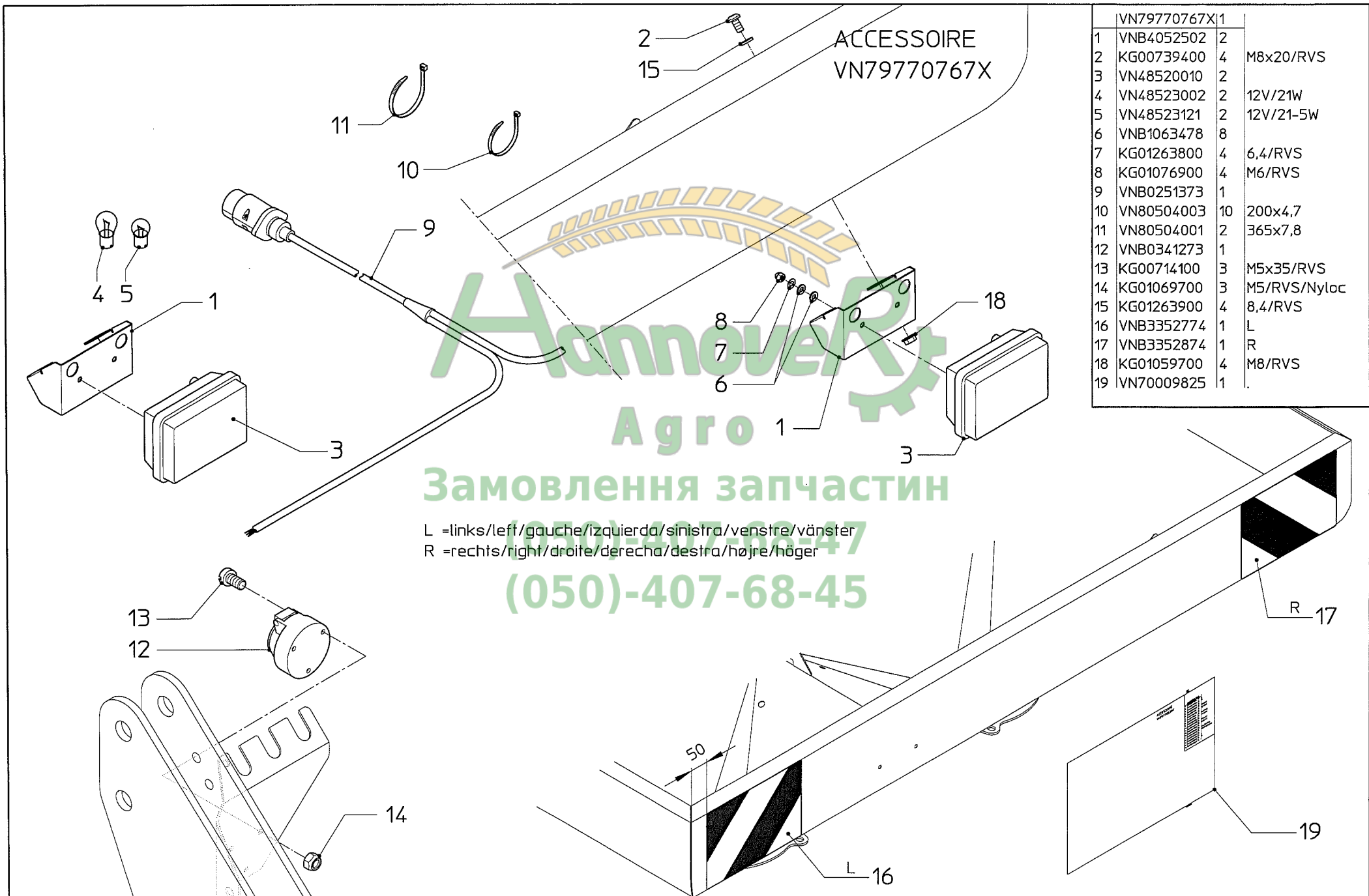
| | | | |
|----|-------------|----|--------------|
| | VN79770767X | 1 | |
| 1 | VNB4052502 | 2 | |
| 2 | KG00739400 | 4 | M8x20/RVS |
| 3 | VN48520010 | 2 | |
| 4 | VN48523002 | 2 | 12V/21W |
| 5 | VN48523121 | 2 | 12V/21-5W |
| 6 | VNB1063478 | 8 | |
| 7 | KG01263800 | 4 | 6,4/RVS |
| 8 | KG01076900 | 4 | M6/RVS |
| 9 | VNB0251373 | 1 | |
| 10 | VN80504003 | 10 | 200x4,7 |
| 11 | VN80504001 | 2 | 365x7,8 |
| 12 | VNB0341273 | 1 | |
| 13 | KG00714100 | 3 | M5x35/RVS |
| 14 | KG01069700 | 3 | M5/RVS/Nyloc |
| 15 | KG01263900 | 4 | 8,4/RVS |
| 16 | VNB3352774 | 1 | L |
| 17 | VNB3352874 | 1 | R |
| 18 | KG01059700 | 4 | M8/RVS |
| 19 | VN70009825 | 1 | |



Замовлення запчастин

L =links/left/gauche/izquierda/sinistra/venstre/vänster
R =rechts/right/droite/derecha/destra/højre/höger

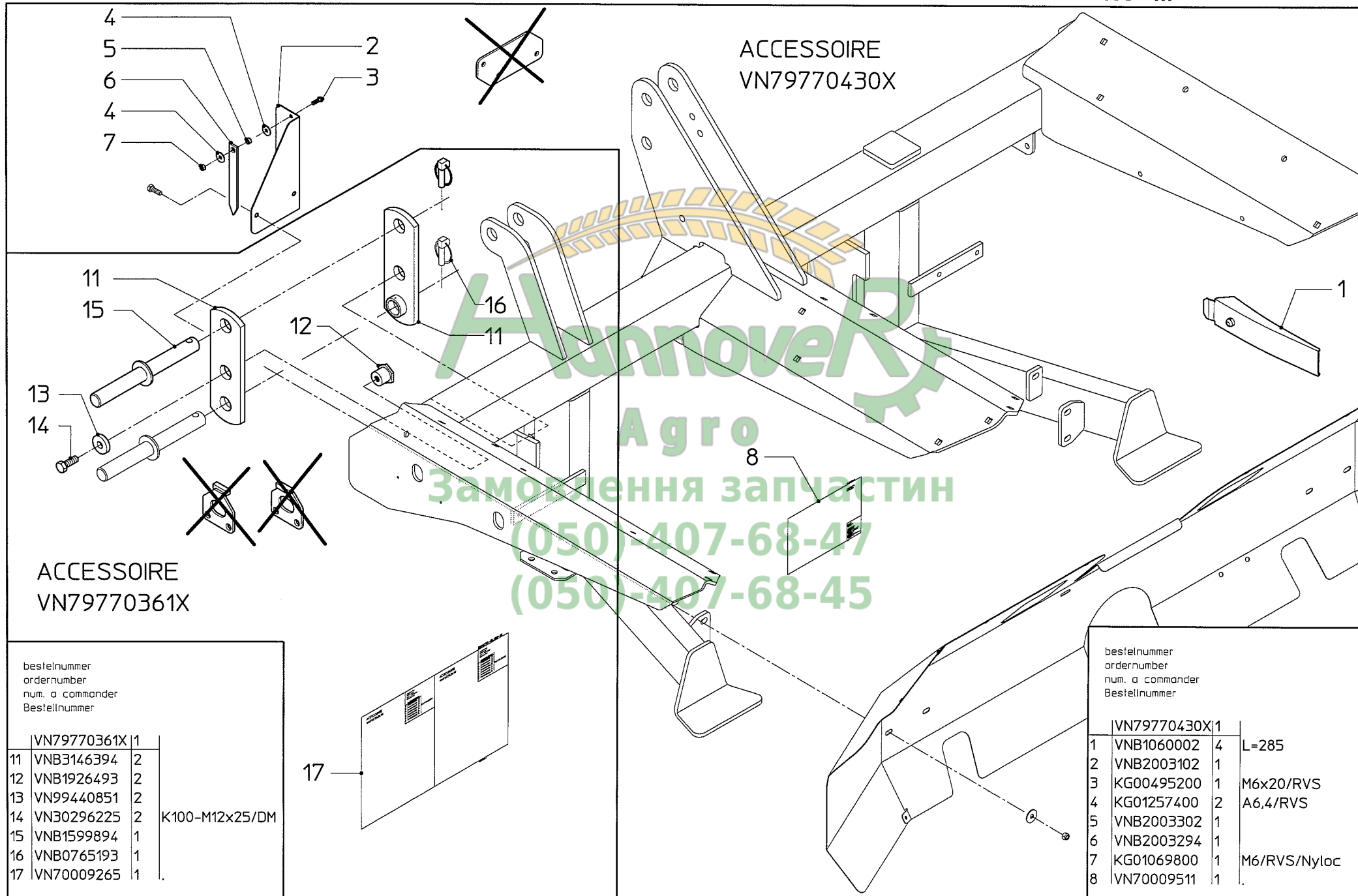
(050)-407-68-47
(050)-407-68-45



serial number 77153

E3

RO-M

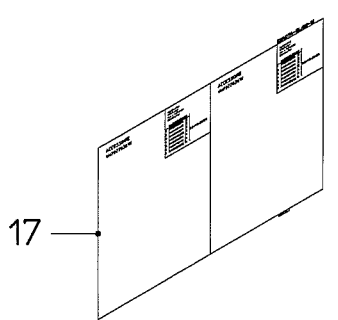


ACCESSOIRE
VN79770430X

ACCESSOIRE
VN79770361X

Агроексперт
Агро
Замовлення запчастин
(050)-407-68-47
(050)-407-68-45

| bestelnummer ordernumber num. a commander Bestellnummer | | |
|--|---|----------------|
| VN79770361X | 1 | |
| 11 VNB3146394 | 2 | |
| 12 VNB1926493 | 2 | |
| 13 VN99440851 | 2 | |
| 14 VN30296225 | 2 | K100-M12x25/DM |
| 15 VNB1599894 | 1 | |
| 16 VNB0765193 | 1 | |
| 17 VN70009265 | 1 | |



| bestelnummer ordernumber num. a commander Bestellnummer | | |
|--|---|--------------|
| VN79770430X1 | | |
| 1 VNB1060002 | 4 | L=285 |
| 2 VNB2003102 | 1 | |
| 3 KG00495200 | 1 | M6x20/RVS |
| 4 KG01257400 | 2 | A6,4/RVS |
| 5 VNB2003302 | 1 | |
| 6 VNB2003294 | 1 | |
| 7 KG01069800 | 1 | M6/RVS/Nyloc |
| 8 VN70009511 | 1 | |

serial number 77153

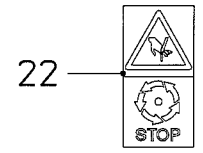
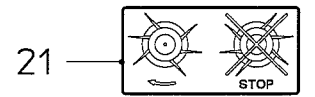
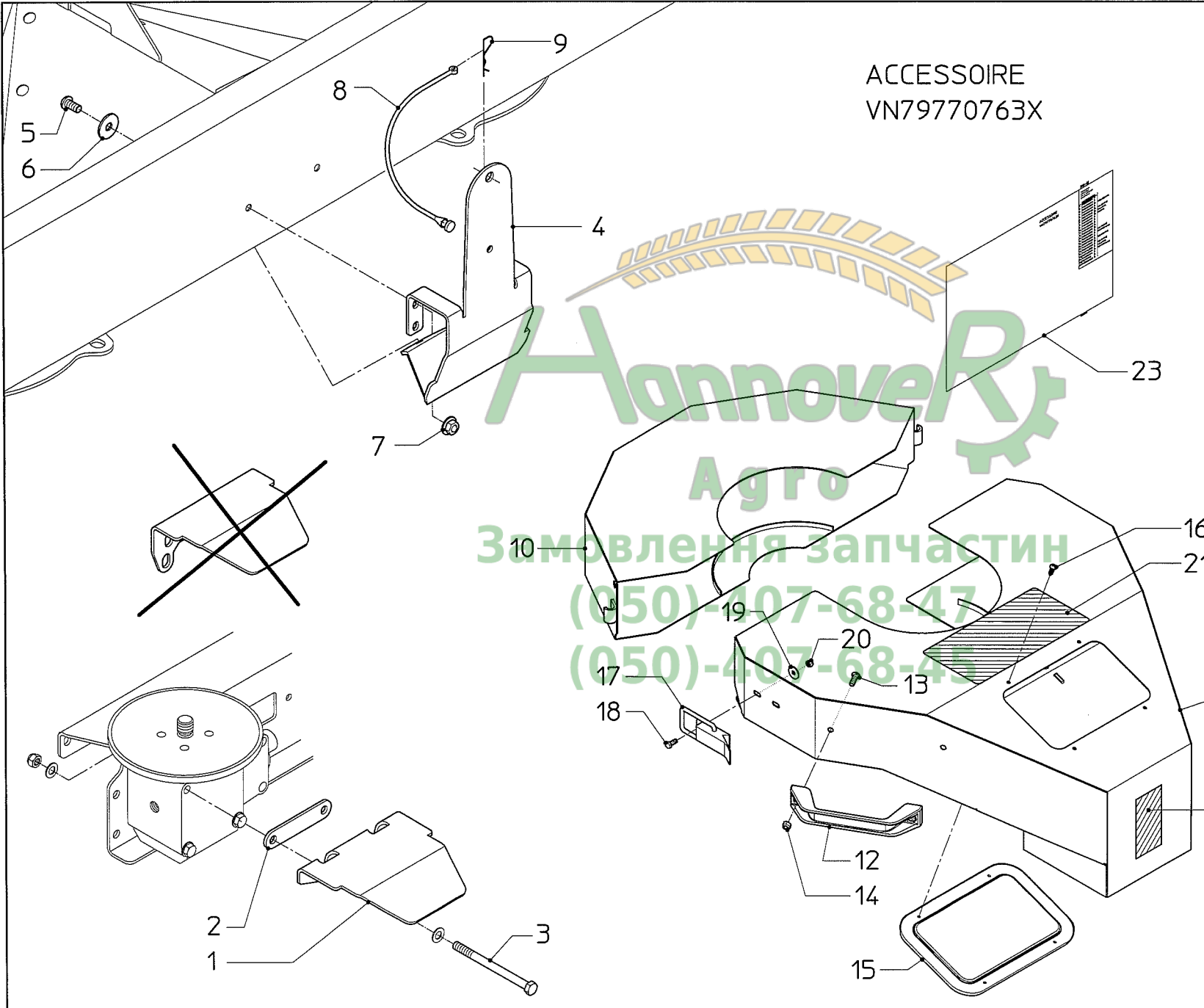
E4

RO-M

ACCESSOIRE
VN79770763X

bestelnummer
ordernumber
num. a commander
Bestellnummer

| | VN79770763X | 1 | |
|----|-------------|---|--------------|
| 1 | VNB4085294 | 1 | |
| 2 | VNB4085394 | 1 | |
| 3 | KG00397500 | 2 | M10x130/RVS |
| 4 | VNB4085494 | 1 | |
| 5 | KG00739400 | 3 | M8x20/RVS |
| 6 | KG01257600 | 3 | A8,4/RVS |
| 7 | KG01059700 | 3 | M8/RVS |
| 8 | VNB0870178 | 1 | |
| 9 | VNB1082102 | 1 | |
| 10 | VNB4086094 | 1 | |
| 11 | VNB4086794 | 1 | |
| 12 | RG00040217 | 2 | |
| 13 | KG00738100 | 4 | M6x16/RVS |
| 14 | KG01069800 | 4 | M6/RVS/Nyloc |
| 15 | VNB2760978 | 1 | |
| 16 | KG00747600 | 4 | 3,5x9,5/RVS |
| 17 | VNB1100802 | 2 | |
| 18 | KG00493700 | 4 | M5x12/RVS |
| 19 | VN30163500 | 4 | A5,4/RVS |
| 20 | KG01069700 | 4 | M5/RVS/Nyloc |
| 21 | VNB3708174 | 1 | |
| 22 | VGTR2023 | 1 | |
| 23 | VN70009829 | 1 | |



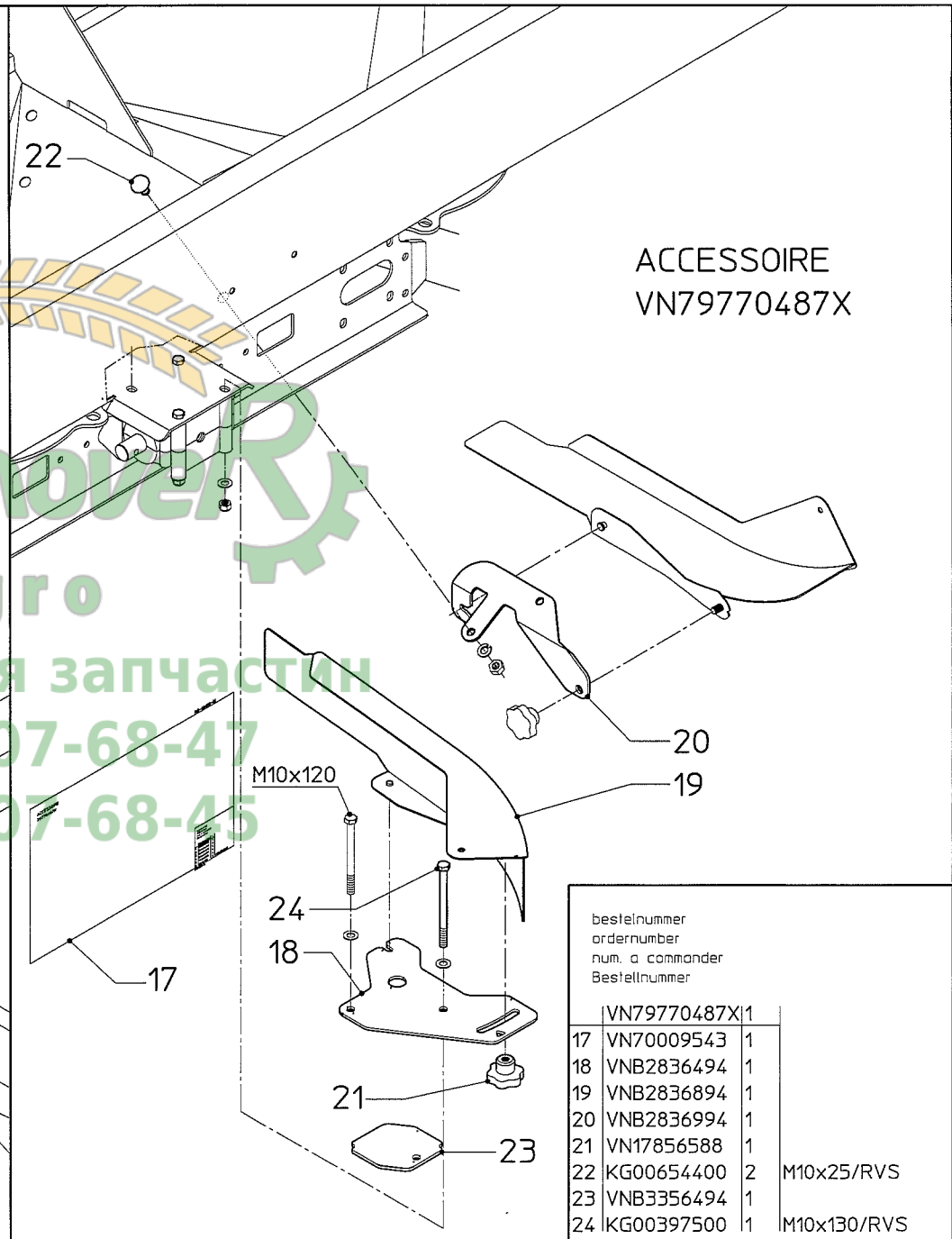
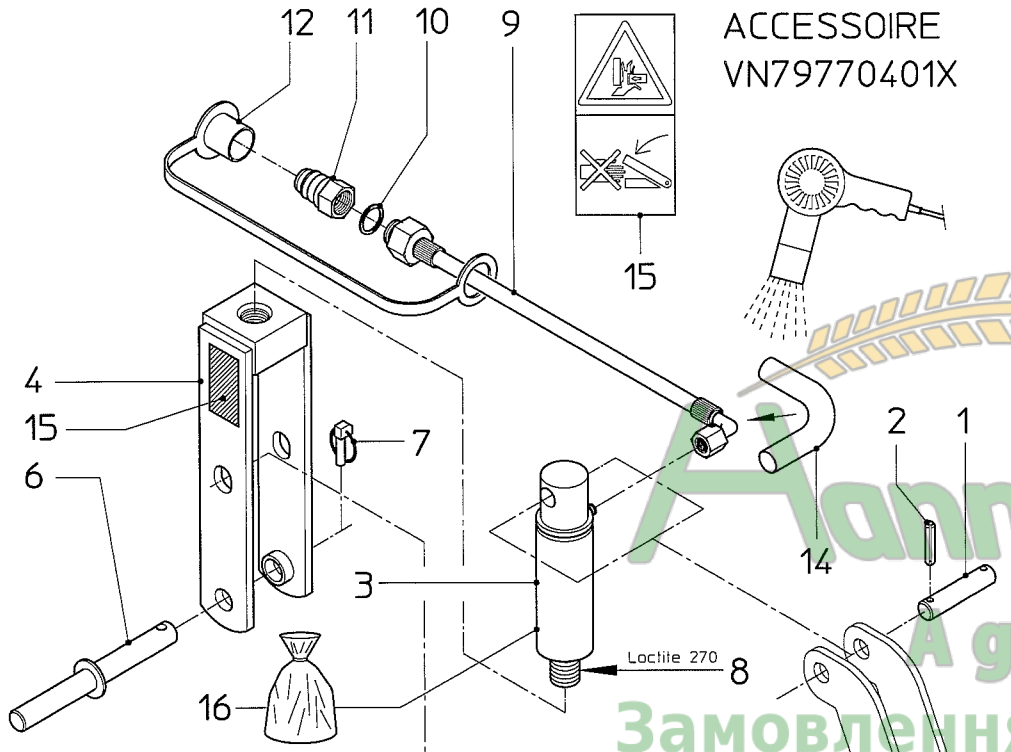
serial number 77153

E5

RO-M

ACCESSOIRE
VN79770401X

ACCESSOIRE
VN79770487X



bestelnummer
ordernumber
num. a commander
Bestellnummer

| | VN79770401X | 1 | |
|----|-------------|---|-------------|
| 1 | VNB1608494 | 1 | |
| 2 | KG01204300 | 2 | 8x40/RVS |
| 3 | VNB2498994 | 1 | |
| 4 | VNB2705594 | 1 | |
| 6 | VNB1599894 | 1 | |
| 7 | VNB0765193 | 1 | |
| 8 | Loctite 270 | | |
| 9 | VNB0835278 | 1 | 1/4"-2000mm |
| 10 | VN31419201 | 1 | 21x26x1,5 |
| 11 | VN38854081 | 1 | 1/2" |
| 12 | VN38854581 | 1 | 1/2" |
| 13 | VN70009499 | 1 | |
| 14 | VNB1504678 | 1 | L=140mm |
| 15 | VGTR2059 | 1 | |
| 16 | VNB0835678 | 1 | sealkit |

bestelnummer
ordernumber
num. a commander
Bestellnummer

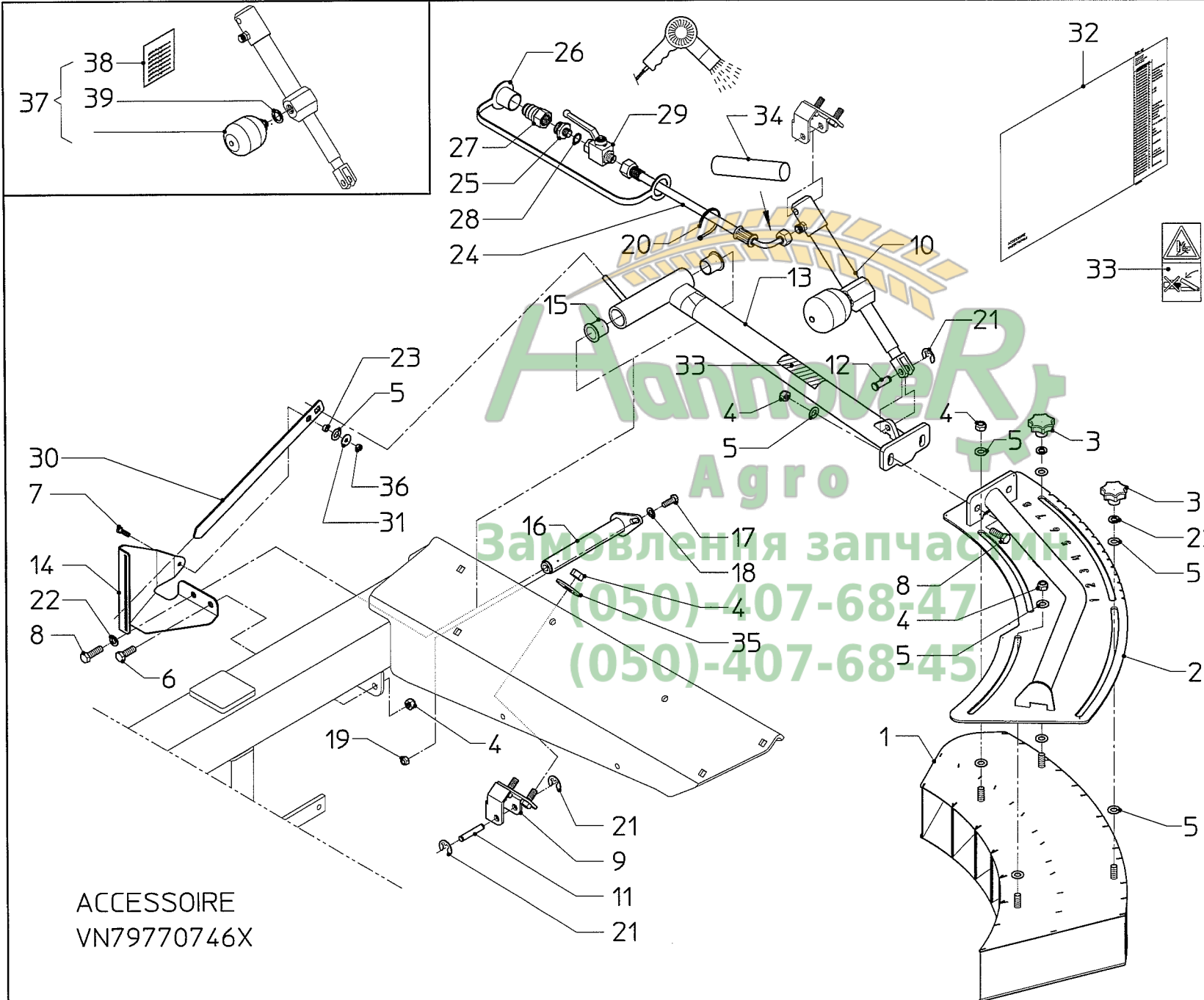
| | VN79770487X | 1 | |
|----|-------------|---|-------------|
| 17 | VN70009543 | 1 | |
| 18 | VNB2836494 | 1 | |
| 19 | VNB2836894 | 1 | |
| 20 | VNB2836994 | 1 | |
| 21 | VN17856588 | 1 | |
| 22 | KG00654400 | 2 | M10x25/RVS |
| 23 | VNB3356494 | 1 | |
| 24 | KG00397500 | 1 | M10x130/RVS |

Замовлення запчастин
(050)-407-68-47
(050)-407-68-45

serial number 77153

E6

RO-M



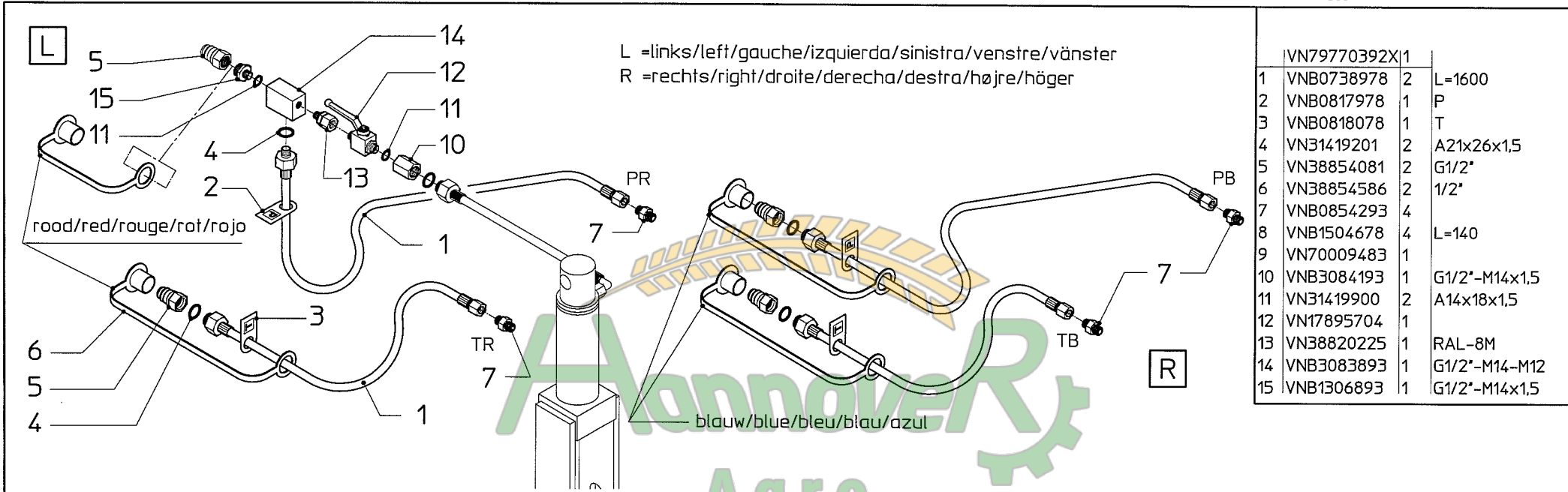
| bestelnummer | ordernumber | num. a commander | Bestelnummer |
|--------------|-------------|------------------|----------------|
| VN79770746X | 1 | | |
| 1 | VNB3914302 | 1 | |
| 2 | VNB3886194 | 1 | |
| 3 | VN17856588 | 2 | |
| 4 | KG01070000 | 7 | M10/RVS/Nyloc |
| 5 | KG01264000 | 11 | 10,5/RVS |
| 6 | KG00498700 | 1 | M10x25/RVS |
| 7 | KG00495200 | 1 | M6x20/RVS |
| 8 | KG00498800 | 3 | M10x30/RVS |
| 9 | VNB4095194 | 1 | |
| 10 | VNB4008194 | 1 | |
| 11 | VNB3507502 | 1 | L=58 |
| 12 | VNB1843002 | 1 | L=35 |
| 13 | VNB4010794 | 1 | |
| 14 | VNB4095902 | 1 | |
| 15 | VNB3085978 | 2 | |
| 16 | VNB3913093 | 1 | |
| 17 | KG00497100 | 1 | M8x25/RVS |
| 18 | KG01263900 | 1 | 8,4/RVS |
| 19 | KG01069900 | 1 | M8/RVS/Nyloc |
| 20 | VN80504003 | 5 | 200x4,7 |
| 21 | VN30116090 | 3 | 9/RVS |
| 22 | VN30117100 | 3 | A10/RVS |
| 23 | VNB2003302 | 1 | |
| 24 | VNB3069178 | 1 | 1/4"-L=3000 mm |
| 25 | VNB1306893 | 1 | |
| 26 | VN38854581 | 1 | 1/2" |
| 27 | VN38854081 | 1 | G1/2" |
| 28 | VN31419900 | 1 | A14x18x1,5 |
| 29 | VN90007711 | 1 | |
| 30 | VNB4096094 | 1 | |
| 31 | KG01257400 | 1 | A6,4/RVS |
| 32 | VN70009830 | 1 | |
| 33 | VGTR2059 | 1 | |
| 34 | VNB1504678 | 1 | L=140 mm |
| 35 | KG01257800 | 2 | A10,5/RVS |
| 36 | KG01069800 | 1 | M6/RVS/Nyloc |
| 37 | VN79750037 | 1 | |
| 38 | VN70003641 | 1 | |
| 39 | VN31419016 | 1 | A17x21x1,5 |

ACCESSOIRE
VN79770746X

serial number 77153

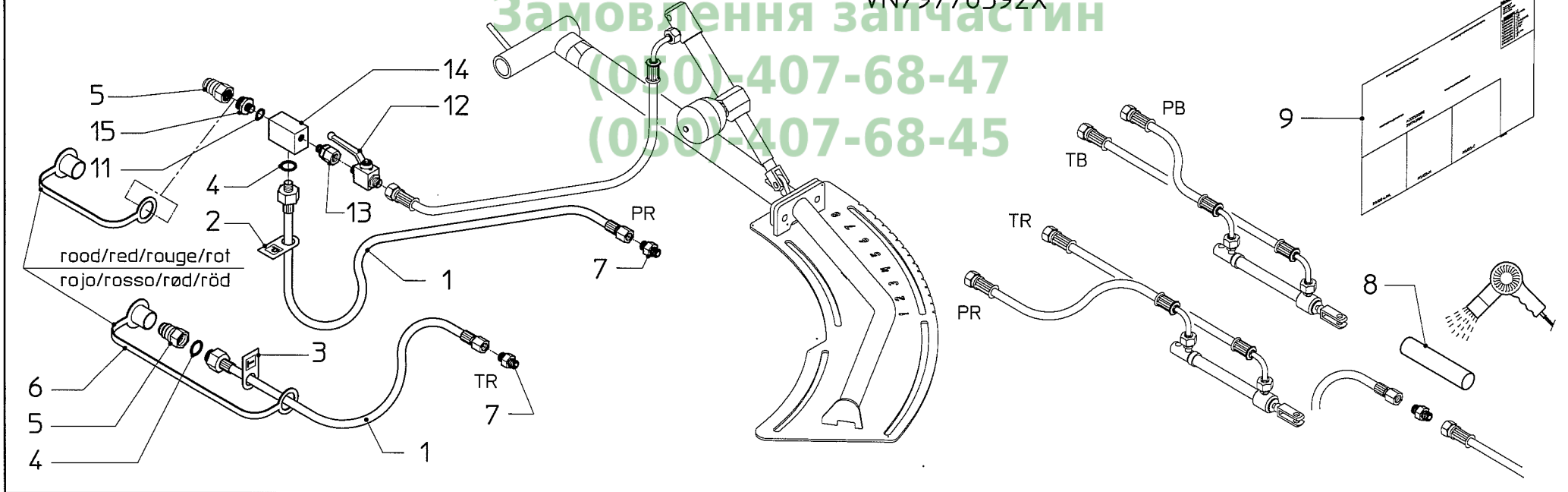
E7

RO-M



| | | |
|---------------|------------|-----------------|
| VN79770392X 1 | | |
| 1 | VNB0738978 | 2 L=1600 |
| 2 | VNB0817978 | 1 P |
| 3 | VNB0818078 | 1 T |
| 4 | VN31419201 | 2 A21x26x1,5 |
| 5 | VN38854081 | 2 G1/2" |
| 6 | VN38854586 | 2 1/2" |
| 7 | VNB0854293 | 4 L=140 |
| 8 | VNB1504678 | 4 |
| 9 | VN70009483 | 1 |
| 10 | VNB3084193 | 1 G1/2"-M14x1,5 |
| 11 | VN31419900 | 2 A14x18x1,5 |
| 12 | VN17895704 | 1 |
| 13 | VN38820225 | 1 RAL-8M |
| 14 | VNB3083893 | 1 G1/2"-M14-M12 |
| 15 | VNB1306893 | 1 G1/2"-M14x1,5 |

links/left/gauche/links/izquierda/sinistra/venstre/vänster

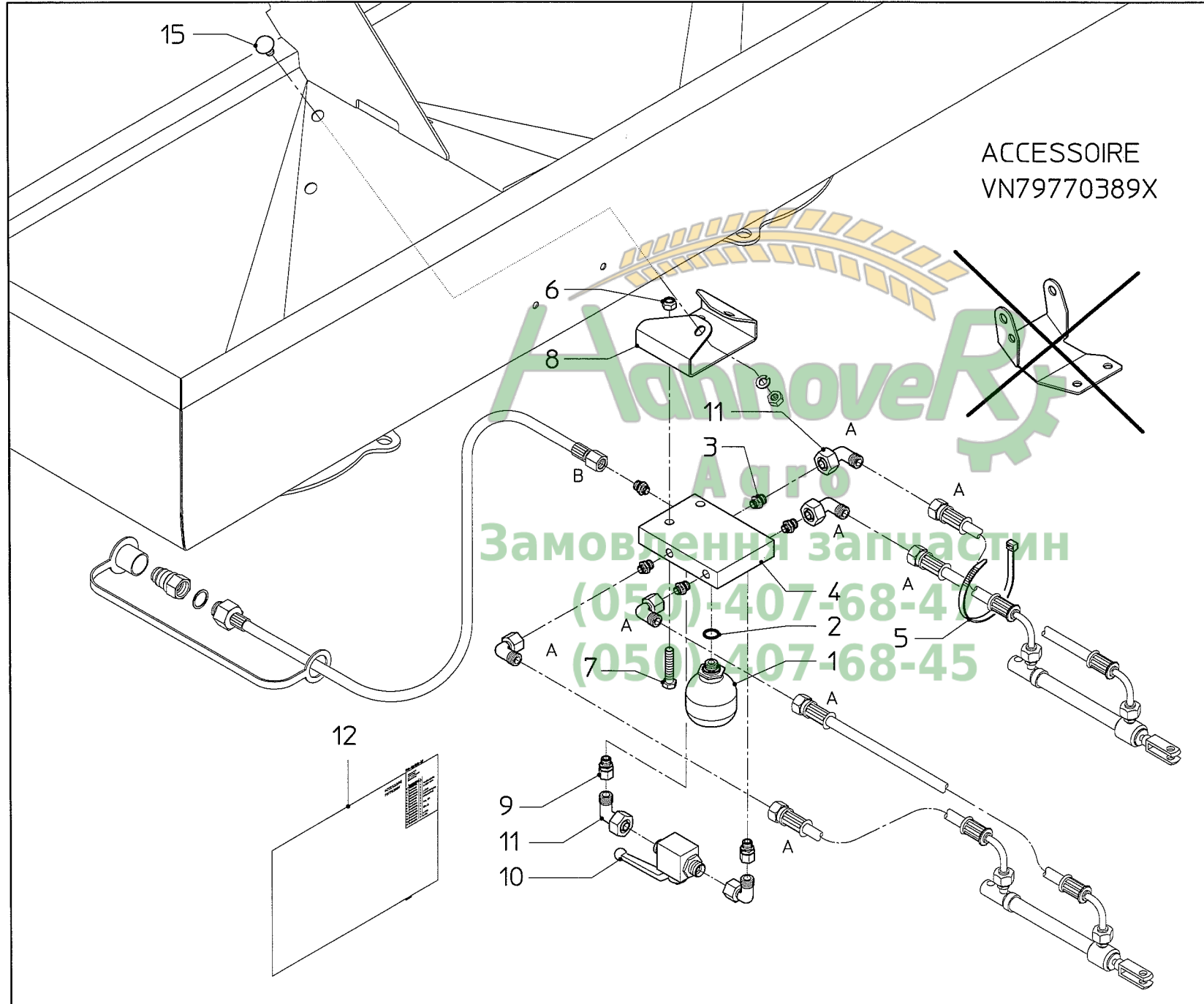


Агро
Замовлення запчастин
(050)-407-68-47
(050)-407-68-45

serial number 77153

E8

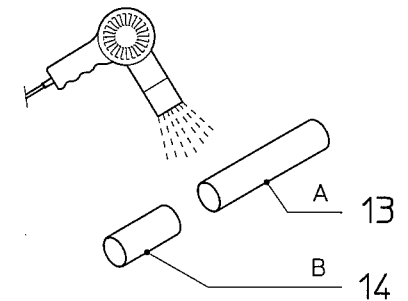
RO-M



ACCESSOIRE
VN79770389X

bestelnummer
ordernumber
num. a commander
Bestellnummer

| | VN79770389X | 1 |
|----|-------------|-----------------|
| 1 | VN17883776 | 1 |
| 2 | VN31419024 | 1 16x20x1,5/CU |
| 3 | VN38820194 | 5 S-GEV 8LM |
| 4 | VNB2442302 | 1 |
| 5 | VN80504001 | 2 L=360 |
| 6 | KG01070000 | 2 M10/RVS/Nyloc |
| 7 | KG00499000 | 2 M10x40/RVS |
| 8 | VNB3731094 | 1 |
| 9 | VN38820225 | 2 RAL 8M |
| 10 | VN17895704 | 1 |
| 11 | VN38608039 | 6 EEL-8 |
| 12 | VN70009481 | 1 |
| 13 | VNB1504678 | 8 L=140 |
| 14 | VNB1504578 | 1 L=70 |
| 15 | KG00654400 | 2 M10x25/RVS |



serial number 77153

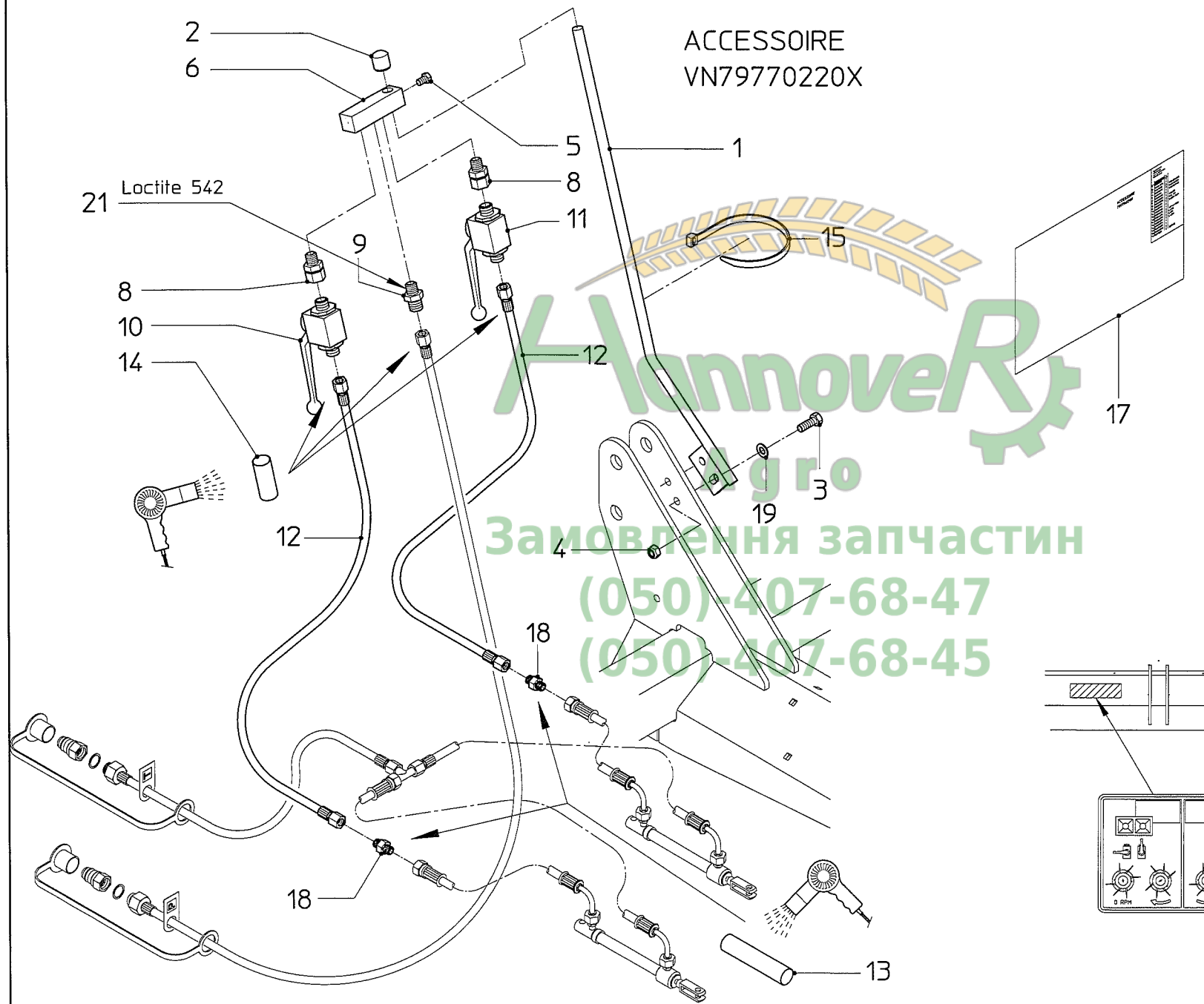
E9

RO-M

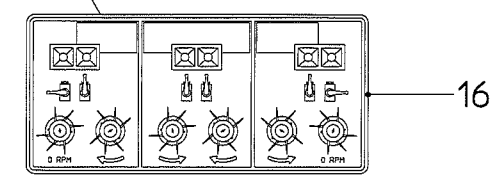
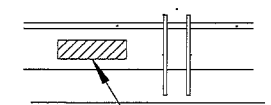
ACCESSOIRE
VN79770220X

bestellnummer
ordernumber
num. a commander
Bestellnummer

| VN79770220X | | 1 |
|-------------|------------|---------------|
| 1 | VNB1840194 | 1 |
| 2 | VNB0854378 | 1 |
| 3 | KG00501200 | 2 M12x45/RVS |
| 4 | VN30598012 | 2 K10/M12/DM |
| 5 | KG00498500 | 1 M10x16/RVS |
| 6 | VNB1308693 | 1 |
| 8 | VN38820225 | 2 RAL 8M |
| 9 | VN38820194 | 1 S-GEV 8LM |
| 10 | VN17895704 | 1 |
| 11 | VN17895703 | 1 |
| 12 | VNB1797478 | 2 1/4"-L=1250 |
| 13 | VNB1504678 | 2 L=140 |
| 14 | VNB1504578 | 3 L=70 |
| 15 | VN80504001 | 4 L=360 |
| 16 | VNB1727574 | 1 |
| 17 | VN70009207 | 1 |
| 18 | VNB0854293 | 2 |
| 19 | KG01264100 | 2 13/RVS |
| 21. | . | Loctite 542 |



Замовлення запчастин
(050)-407-68-47
(050)-407-68-45



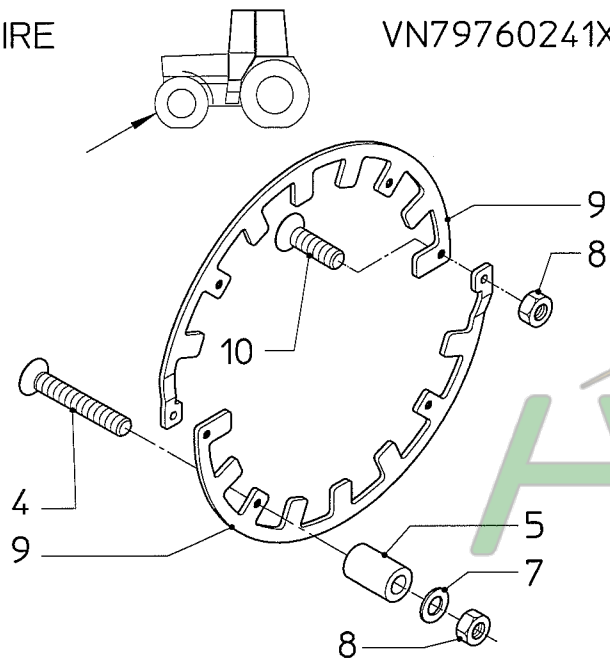
serial number 77153

E10

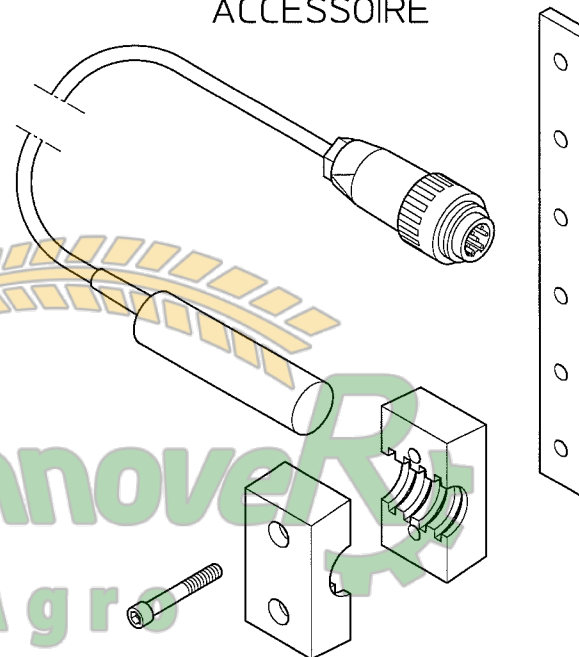
RO-M

ACCESSOIRE

VN79760241X-Ø420



ACCESSOIRE



bestelnummer
ordernumber
num. a commander
Bestellnummer

| VN79760240X 1 | | | |
|---------------|------------|---|--------------|
| 3 | VNB1517586 | 1 | Ø350 |
| 4 | KG00872200 | 4 | M8x50/RVS |
| 5 | VNB1153493 | 4 | |
| 7 | KG01263900 | 4 | 8,4/RVS |
| 8 | KG01069900 | 4 | M8/RVS/Nylac |

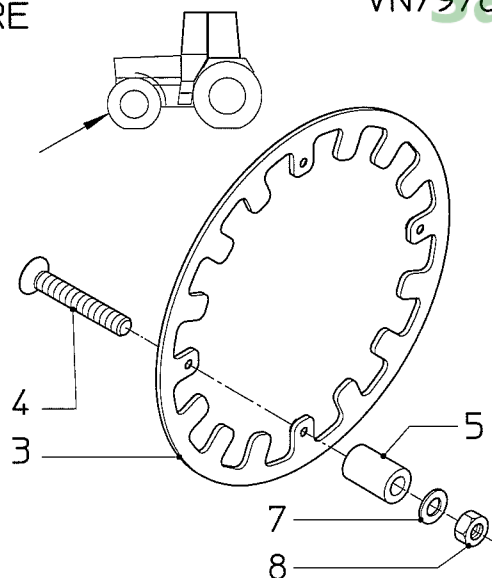
| VN79760241X 1 | | | |
|---------------|------------|---|--------------|
| 4 | KG00872200 | 4 | M8x50/RVS |
| 5 | VNB1153493 | 4 | |
| 7 | KG01263900 | 4 | 8,4/RVS |
| 8 | KG01069900 | 6 | M8/RVS/Nylac |
| 9 | VNB2928086 | 2 | Ø420 |
| 10 | KG00871700 | 2 | M8x25/RVS |

| | | | |
|----|------------|---|---------|
| 11 | VNB0304073 | 1 | 6 mtr |
| 12 | VNB0326573 | 1 | 2,5 mtr |

| | | | |
|----|-------------|---|---|
| 15 | IVNB0430273 | 1 | 1 |
|----|-------------|---|---|

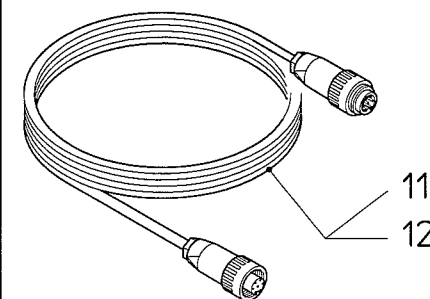
ACCESSOIRE

VN79760240X-Ø350



Запчасти
(050)-407-68-47
(050)-407-68-45
WHEEL-SENSOR

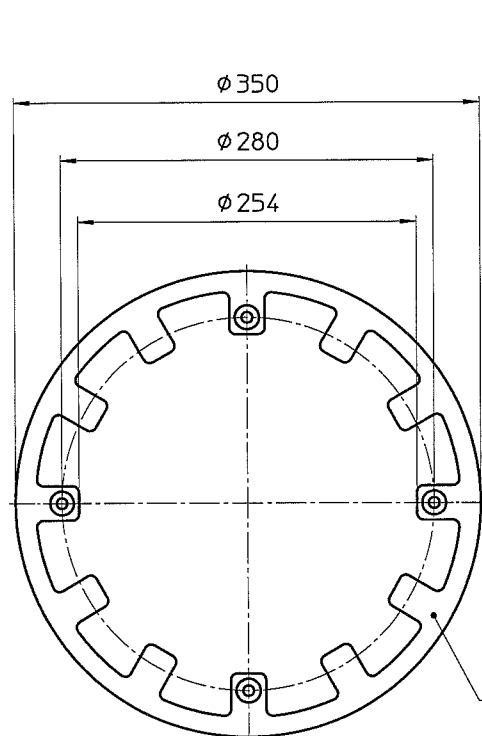
ACCESSOIRE
EXTENSION CABLE



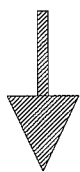
serial number 77153

E11

RO-M

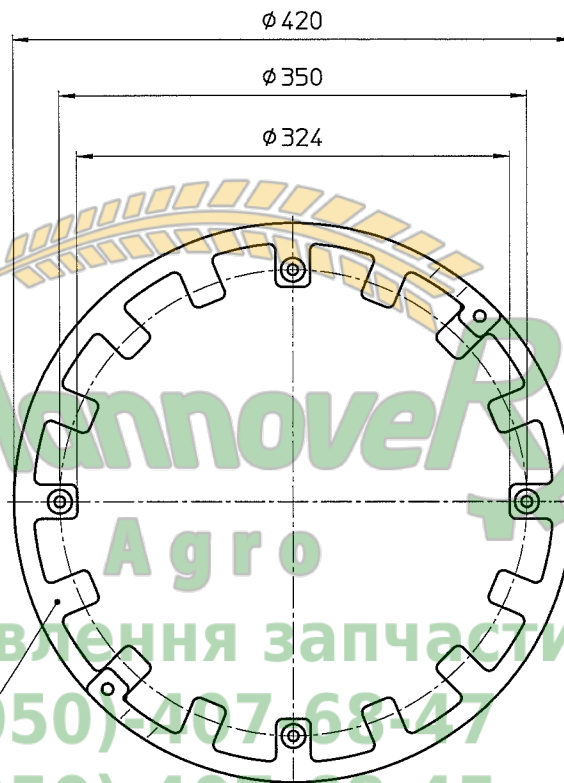


VNB1517586

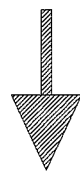


X = 4,5 mm

Y = 9 mm

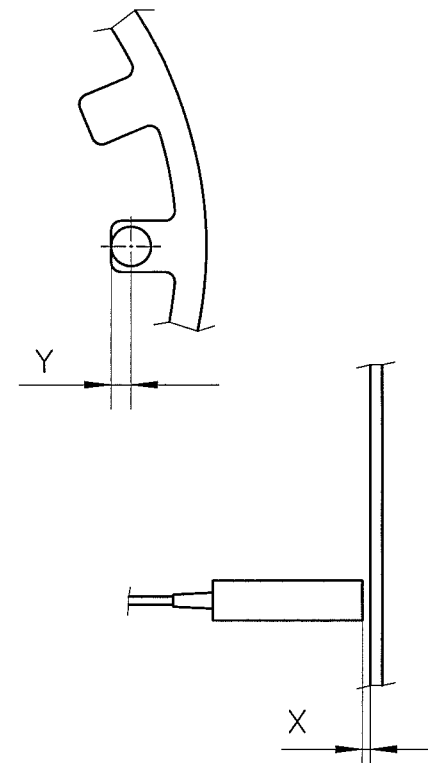


VNB2928086 (2x)



X = 3,5 mm

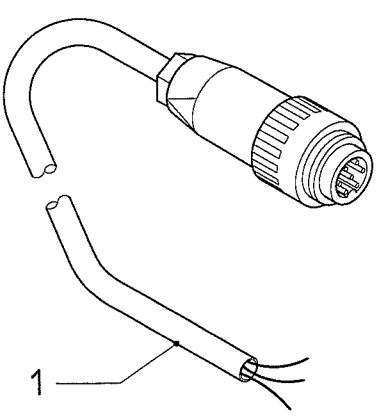
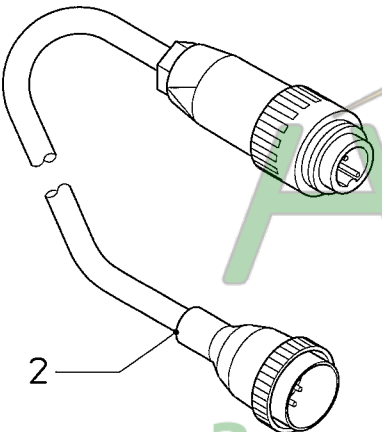
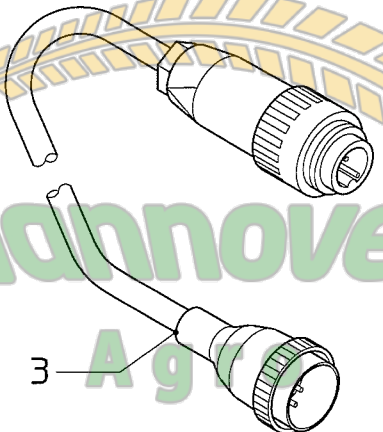
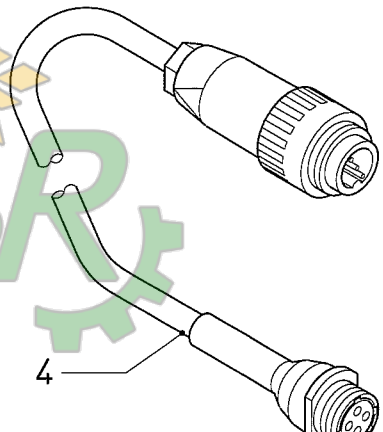
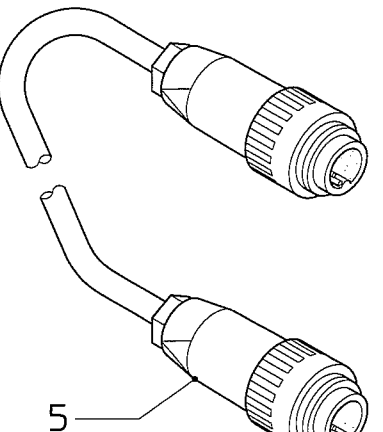
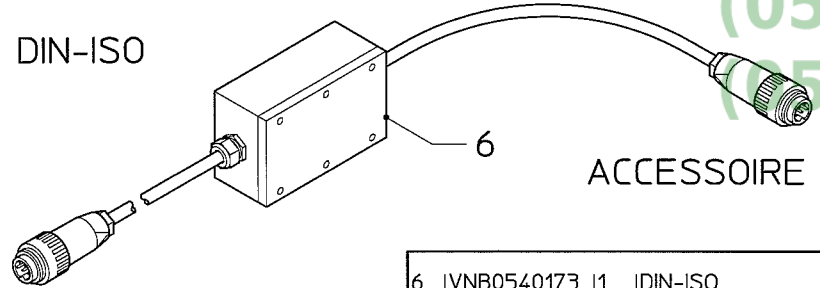
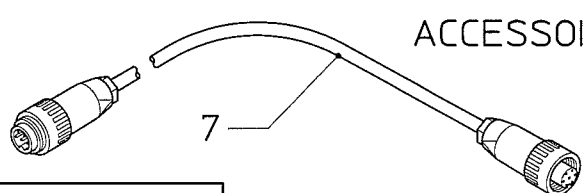
Y = 10,5 mm



Annover Agro
Замовлення запчастин
(050)-407-68-47
(050)-407-68-45

| | | | |
|---|------------|---|------------|
| 1 | VNB1517586 | 1 | $\phi 350$ |
| 2 | VNB2928086 | 2 | $\phi 420$ |

CABLE FOR RADAR SENSOR TRACTOR

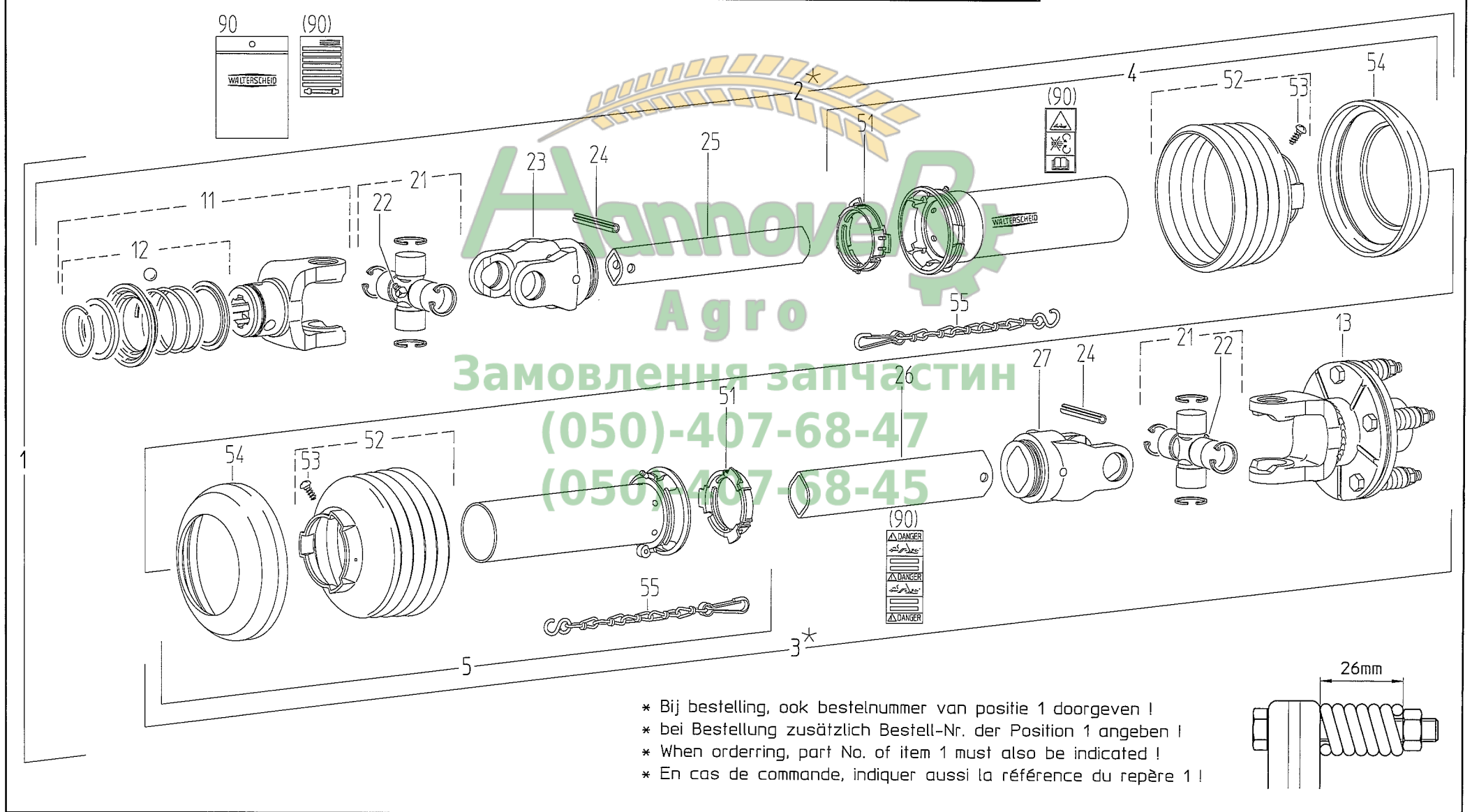
| SELF-MADE | DATATRONIC-1 | DATATRONIC-2 | DICKEY JOHN | DIN-ISO |
|--|---|--|---|---|
| <p>ACCESSOIRE</p>  | <p>ACCESSOIRE</p>  | <p>ACCESSOIRE</p>  | <p>ACCESSOIRE</p>  | <p>ACCESSOIRE</p>  |
| <p>1 IVNB0303973 I1 ISelf-made</p> | <p>2 IVNB0305873 I1 IDatatronic-1(MF)</p> | <p>3 IVNB0385273 I1 IDatatronic-2(MF)</p> | <p>4 IVNB0305973 I1 IDickey John</p> | <p>5 IVNB0386773 I1 IDIN-ISO</p> |
| <p>DIN-ISO</p>  <p>ACCESSOIRE</p> | | <p>(050)-407-68-47 (050)-407-68-45</p> | | |
| <p>6 IVNB0540173 I1 IDIN-ISO</p> | | | | |
| <p>DIN-ISO</p>  <p>ACCESSOIRE</p> | | | | |
| <p>7 IVNB0391073 I1 IDIN-ISO/1,5m</p> | | | | |

serial number 77153

C1

RO-M

| | | | | | | | | |
|---|--------------|-----------------------|------------------|--------------------------------|---------------|--------------|-------------------|---------|
| | Walterscheid | | 11 VG10.83.40 | AZG2100-1 3/8*(6) | 24 VG61.04.01 | ISO8752-8x50 | 53 VG365305 | 3,5x9,5 |
| 1 | VN46120092 | W100E-SD05-910-K94/1 | 12 VGagraset 173 | | 25 VG75.02.15 | 00c-800 | 54 VG83.10.03 | |
| 2 | * | WH2100-SD05-856 | 13 VG56.117.19 | K94/1-2100-1 3/8*(6)ZV-M=400Nm | 26 VG75.06.15 | 0a-800 | 55 VG82.36.03 | |
| 3 | * | WH2100-SD05-841-K94/1 | 21 VG10.01.00 | | 27 VG10.49.00 | RG2100-0a | 90 VGagraset 207. | |
| 4 | VG85.005 | SDH05-A1000-850506-K | 22 VG63.27.00 | BM8x1 | 51 VG83.09.01 | | | |
| 5 | VG85.004 | SDH05-J1000-850506-K | 23 VG10.48.00 | RG2100-00a | 52 VG85.05.06 | n=RP6 | | |



NUMERICAL INDEX / NUMMERN-VERZEICHNIS / INDEX NUMERIQUE / NUMERIEKE INDEX / INDICE DE NUMEROS

| 1 RO-M | | | | | | | | | | | | | |
|-------------|----------|-------------|----------|-------------|----------|---------------|----------|-------------|----------|-------------|----------|-------------|----------|
| Part no. | Page: 01 | Part no. | Page: 02 | Part no. | Page: 03 | Part no. | Page: 04 | Part no. | Page: 05 | Part no. | Page: 06 | Part no. | Page: 07 |
| Teile-nr. | Selle | Teile-nr. | Selle | Teile-nr. | Selle | Teile-nr. | Selle | Teile-nr. | Selle | Teile-nr. | Selle | Teile-nr. | Selle |
| No. de ref. | Page | No. de ref. | Page | No. de ref. | Page | No. de ref. | Page | No. de ref. | Page | No. de ref. | Page | No. de ref. | Page |
| Onderd. nr. | Pagina | Onderd. nr. | Pagina | Onderd. nr. | Pagina | Onderd. nr. | Pagina | Onderd. nr. | Pagina | Onderd. nr. | Pagina | Onderd. nr. | Pagina |
| Nom. de pza | Pagina | Nom. de pza | Pagina | Nom. de pza | Pagina | Nom. de pza | Pagina | Nom. de pza | Pagina | Nom. de pza | Pagina | Nom. de pza | Pagina |
| KG00396600 | D06 | KG00738100 | D05 | KG01070000 | D07 | VG10.49.00 | C01 | VN30117100 | D05 | VN70003641 | E06 | VN79770763 | E04 |
| KG00397300 | D03 | KG00738100 | E04 | KG01070000 | D09 | VG10.83.40 | C01 | VN30117100 | D07 | VN70004353 | D10 | VN79770764 | E01 |
| KG00397400 | D03 | KG00739400 | E02 | KG01070000 | D12 | VG365305 | C01 | VN30117100 | E06 | VN70009207 | E09 | VN79770767 | E02 |
| KG00397500 | E04 | KG00739400 | E04 | KG01070000 | E06 | VG56.117.19 | C01 | VN30130800 | D09 | VN70009265 | E03 | VN79770772 | E01 |
| KG00397500 | E05 | KG00739500 | E01 | KG01070000 | E08 | VG61.04.01 | C01 | VN30130800 | D12 | VN70009481 | E08 | VN80504001 | D06 |
| KG00493700 | E04 | KG00747600 | D05 | KG01070100 | D01 | VG63.27.00 | C01 | VN30163250 | D01 | VN70009483 | E07 | VN80504001 | D09 |
| KG00494900 | D02 | KG00747600 | D07 | KG01076900 | E02 | VG75.02.15 | C01 | VN30163500 | E04 | VN70009499 | E05 | VN80504001 | D10 |
| KG00494900 | D13 | KG00747600 | E04 | KG01191862 | D03 | VG75.06.15 | C01 | VN30296225 | E03 | VN70009511 | E03 | VN80504001 | D12 |
| KG00495200 | D05 | KG00803400 | D06 | KG01192162 | D03 | VG82.36.03 | C01 | VN30598012 | E09 | VN70009543 | E05 | VN80504001 | D13 |
| KG00495200 | E03 | KG00870000 | D05 | KG01204300 | E05 | VG83.09.01 | C01 | VN31419016 | E06 | VN70009784 | D14 | VN80504001 | E02 |
| KG00495200 | E06 | KG00871700 | E10 | KG01204600 | D04 | VG83.10.03 | C01 | VN31419024 | E08 | VN70009825 | E02 | VN80504001 | E08 |
| KG00496800 | D10 | KG00872200 | E10 | KG01257400 | D05 | VG85.004 | C01 | VN31419201 | D06 | VN70009826 | D16 | VN80504001 | E09 |
| KG00496800 | D13 | KG00945900 | D09 | KG01257400 | E03 | VG85.005 | C01 | VN31419201 | E05 | VN70009829 | E04 | VN80504003 | D10 |
| KG00497100 | D02 | KG00945900 | D12 | KG01257400 | E06 | VG85.05.06 | C01 | VN31419201 | E07 | VN70009830 | E06 | VN80504003 | D13 |
| KG00497100 | E06 | KG01044900 | D05 | KG01257600 | D02 | VGAGRASET 173 | C01 | VN31419900 | E06 | VN70009844 | E01 | VN80504003 | E02 |
| KG00497200 | D03 | KG01053800 | D05 | KG01257600 | E01 | VGAGRASET 207 | C01 | VN31419900 | E07 | VN79730365 | D09 | VN80504003 | E06 |
| KG00498500 | E09 | KG01053800 | D07 | KG01257600 | E04 | VGTR1010 | C16 | VN31903304 | D10 | VN79730420 | D08 | VN90007711 | E06 |
| KG00498700 | D03 | KG01059600 | D02 | KG01257800 | D06 | VGTR2005 | C16 | VN31903304 | D13 | VN79730428 | D12 | VN90070600 | E01 |
| KG00498700 | D06 | KG01059700 | E02 | KG01257800 | D09 | VGTR2011 | C16 | VN36107317 | D09 | VN79730428 | D13 | VN90090190 | D09 |
| KG00498700 | D07 | KG01059700 | E04 | KG01257800 | D12 | VGTR2015 | C16 | VN36107317 | D12 | VN79730429 | D11 | VN90090190 | D12 |
| KG00498700 | D09 | KG01069700 | D05 | KG01257800 | E01 | VGTR2023 | C16 | VN38608039 | E08 | VN79730450 | D14 | VN90090191 | D03 |
| KG00498700 | D12 | KG01069700 | E02 | KG01257800 | E06 | VGTR2023 | E04 | VN38820194 | E08 | VN79750037 | E06 | VN99440851 | E03 |
| KG00498700 | E06 | KG01069700 | E04 | KG01263700 | D05 | VGTR2039 | C16 | VN38820194 | E09 | VN79760240 | E10 | VNB0064273 | D14 |
| KG00498800 | E06 | KG01069800 | D05 | KG01263800 | E02 | VGTR2059 | C16 | VN38820225 | E07 | VN79760241 | E10 | VNB0251373 | E02 |
| KG00499000 | E08 | KG01069800 | D13 | KG01263900 | D03 | VGTR2059 | E05 | VN38820225 | E08 | VN79770150 | D04 | VNB0260173 | D13 |
| KG00499500 | D05 | KG01069800 | E03 | KG01263900 | D13 | VGTR2059 | E06 | VN38820225 | E09 | VN79770216 | D04 | VNB0266873 | D10 |
| KG00500900 | D01 | KG01069800 | E04 | KG01263900 | E01 | VN17856588 | D06 | VN38854081 | D06 | VN79770220 | E09 | VNB0268173 | D13 |
| KG00501100 | D01 | KG01069800 | E06 | KG01263900 | E02 | VN17856588 | E05 | VN38854081 | E05 | VN79770361 | E03 | VNB0303973 | E12 |
| KG00501200 | E09 | KG01069900 | D02 | KG01263900 | E06 | VN17856588 | E06 | VN38854081 | E06 | VN79770389 | E08 | VNB0304073 | E10 |
| KG00565700 | D04 | KG01069900 | D03 | KG01263900 | E10 | VN17883776 | E08 | VN38854081 | E07 | VN79770392 | E07 | VNB0305873 | E12 |
| KG00583000 | D16 | KG01069900 | D04 | KG01264000 | D03 | VN17895703 | E09 | VN38854581 | D06 | VN79770401 | E05 | VNB0305973 | E12 |
| KG00652900 | E01 | KG01069900 | D10 | KG01264000 | D07 | VN17895704 | E07 | VN38854581 | E05 | VN79770430 | E03 | VNB0326573 | E10 |
| KG00654300 | D07 | KG01069900 | D13 | KG01264000 | E06 | VN17895704 | E08 | VN38854581 | E06 | VN79770487 | E05 | VNB0341273 | E02 |
| KG00654400 | E05 | KG01069900 | E01 | KG01264100 | E09 | VN17895704 | E09 | VN38854586 | E07 | VN79770744 | D09 | VNB0374873 | D08 |
| KG00654400 | E08 | KG01069900 | E06 | RG00040217 | E04 | VN30116090 | D06 | VN46120092 | C01 | VN79770745 | D12 | VNB0374873 | D13 |
| KG00656000 | D01 | KG01069900 | E10 | RG00050664 | D03 | VN30116090 | D09 | VN48520010 | E02 | VN79770745 | D13 | VNB0385273 | E12 |
| KG00713700 | D05 | KG01070000 | D03 | VG10.01.00 | C01 | VN30116090 | D12 | VN48523002 | E02 | VN79770746 | E06 | VNB0386773 | E12 |
| KG00714100 | E02 | KG01070000 | D06 | VG10.48.00 | C01 | VN30116090 | E06 | VN48523121 | E02 | VN79770747 | D16 | VNB0391073 | E12 |

NUMERICAL INDEX / NUMMERN-VERZEICHNIS / INDEX NUMERIQUE / NUMERIEKE INDEX / INDICE DE NUMEROS

1 RO-M

| Part no. Teile-nr. No. de ref. Onderd. nr. Nom. de pza | Page: 08 Selle Page Pagina Pagina | Part no. Teile-nr. No. de ref. Onderd. nr. Nom. de pza | Page: 09 Selle Page Pagina Pagina | Part no. Teile-nr. No. de ref. Onderd. nr. Nom. de pza | Page: 10 Selle Page Pagina Pagina | Part no. Teile-nr. No. de ref. Onderd. nr. Nom. de pza | Page: 11 Selle Page Pagina Pagina | Part no. Teile-nr. No. de ref. Onderd. nr. Nom. de pza | Page: 12 Selle Page Pagina Pagina | Part no. Teile-nr. No. de ref. Onderd. nr. Nom. de pza | Page: 13 Selle Page Pagina Pagina |
|--|---|--|---|--|---|--|---|--|---|--|---|
| VNB0430273 | E10 | VNB1077665 | D04 | VNB1840194 | E09 | VNB3084193 | E07 | VNB3957678 | D06 | VNB4059402 | D05 |
| VNB0446473 | D13 | VNB1077702 | D04 | VNB1843002 | D09 | VNB3085978 | E06 | VNB3957778 | D06 | VNB4061702 | D05 |
| VNB0489473 | D13 | VNB1082102 | D04 | VNB1843002 | D12 | VNB3146394 | E03 | VNB3957878 | D06 | VNB4061978 | D05 |
| VNB0540173 | E12 | VNB1082102 | E04 | VNB1843002 | E06 | VNB3307994 | D03 | VNB3957978 | D06 | VNB4063078 | D09 |
| VNB0548173 | D08 | VNB1100802 | E04 | VNB1926493 | E03 | VNB3317194 | D06 | VNB3958078 | D06 | VNB4063078 | D12 |
| VNB0548173 | D11 | VNB1153493 | E10 | VNB1998902 | D04 | VNB3317278 | D05 | VNB3958178 | D06 | VNB4063178 | D09 |
| VNB0550373 | D09 | VNB1181374 | C16 | VNB1999002 | D04 | VNB3317378 | D09 | VNB3958278 | D05 | VNB4063178 | D12 |
| VNB0554173 | D12 | VNB1181374 | D04 | VNB1999102 | D04 | VNB3317378 | D12 | VNB3962278 | D06 | VNB4064578 | D03 |
| VNB0563773 | D08 | VNB1194874 | C16 | VNB2003102 | E03 | VNB3322494 | D06 | VNB3962378 | D06 | VNB4064678 | D03 |
| VNB0565973 | D11 | VNB1194874 | D04 | VNB2003294 | E03 | VNB3322594 | D09 | VNB3965086 | D01 | VNB4064778 | D03 |
| VNB0566173 | D09 | VNB1226902 | D06 | VNB2003302 | D05 | VNB3322594 | D12 | VNB3966502 | D02 | VNB4073178 | D05 |
| VNB0566173 | D12 | VNB1306893 | E06 | VNB2003302 | E03 | VNB3325865 | D04 | VNB3966686 | D03 | VNB4077278 | D07 |
| VNB0682993 | D03 | VNB1306893 | E07 | VNB2003302 | E06 | VNB3325965 | D04 | VNB3966993 | D03 | VNB4077378 | D05 |
| VNB0736102 | D06 | VNB1308693 | E09 | VNB2030678 | D06 | VNB3326978 | D07 | VNB3967093 | D03 | VNB4077402 | D01 |
| VNB0738978 | D06 | VNB1310474 | C16 | VNB2057986 | D01 | VNB3352774 | E02 | VNB3967393 | D03 | VNB4078402 | E01 |
| VNB0738978 | E07 | VNB1504578 | D06 | VNB2068778 | D07 | VNB3352874 | E02 | VNB3967598 | D05 | VNB4078594 | E01 |
| VNB0739093 | D06 | VNB1504578 | E08 | VNB2092402 | E01 | VNB3356494 | E05 | VNB3967698 | D05 | VNB4078694 | E01 |
| VNB0765193 | D01 | VNB1504578 | E09 | VNB2235978 | D09 | VNB3443478 | E01 | VNB3968294 | D07 | VNB4078794 | E01 |
| VNB0765193 | E03 | VNB1504678 | D06 | VNB2235978 | D12 | VNB3507502 | E06 | VNB3968394 | D07 | VNB4078994 | E01 |
| VNB0765193 | E05 | VNB1504678 | E05 | VNB2332694 | D01 | VNB3511494 | D10 | VNB3968486 | D07 | VNB4079094 | E01 |
| VNB0817978 | D06 | VNB1504678 | E06 | VNB2333794 | D04 | VNB3511494 | D13 | VNB3969702 | D05 | VNB4079194 | E01 |
| VNB0817978 | E07 | VNB1504678 | E07 | VNB2417578 | D03 | VNB3559902 | D05 | VNB3969802 | D05 | VNB4079294 | E01 |
| VNB0818078 | D06 | VNB1504678 | E08 | VNB2417602 | D03 | VNB3603394 | E01 | VNB3970002 | D05 | VNB4079394 | E01 |
| VNB0818078 | E07 | VNB1504678 | E09 | VNB2426674 | D13 | VNB3603594 | E01 | VNB3970302 | D05 | VNB4079494 | E01 |
| VNB0835278 | E05 | VNB1517586 | E10 | VNB2442302 | E08 | VNB3603602 | E01 | VNB3970402 | D05 | VNB4079678 | E01 |
| VNB0835678 | E05 | VNB1517586 | E11 | VNB2498994 | E05 | VNB3708174 | E04 | VNB3977774 | C16 | VNB4085294 | E04 |
| VNB0854293 | E07 | VNB1593593 | D03 | VNB2559578 | D13 | VNB3731094 | E08 | VNB3983902 | D16 | VNB4085394 | E04 |
| VNB0854293 | E09 | VNB1599786 | D01 | VNB2705594 | E05 | VNB3734878 | D03 | VNB3984002 | D16 | VNB4085494 | E04 |
| VNB0854378 | E09 | VNB1599886 | D01 | VNB2760978 | D07 | VNB3872902 | D08 | VNB3984186 | D16 | VNB4086094 | E04 |
| VNB0870178 | D01 | VNB1599894 | E03 | VNB2760978 | E04 | VNB3872902 | D11 | VNB4008194 | E06 | VNB4086794 | E04 |
| VNB0870178 | E04 | VNB1599894 | E05 | VNB2822600 | C16 | VNB3886194 | E06 | VNB4010794 | E06 | VNB4095194 | E06 |
| VNB0897393 | D01 | VNB1599986 | D01 | VNB2836494 | E05 | VNB3910902 | D03 | VNB4014778 | D16 | VNB4095902 | E06 |
| VNB0903374 | C16 | VNB1608494 | E05 | VNB2836894 | E05 | VNB3913093 | E06 | VNB4042498 | D05 | VNB4096094 | E06 |
| VNB1060002 | D04 | VNB1617078 | D05 | VNB2836994 | E05 | VNB3914302 | E06 | VNB4042598 | D05 | VNB4101294 | D13 |
| VNB1060002 | E03 | VNB1709302 | D04 | VNB2928086 | E10 | VNB3956794 | D07 | VNB4042694 | D05 | VNB4101394 | D13 |
| VNB1060102 | D04 | VNB1727574 | E09 | VNB2928086 | E11 | VNB3957302 | D05 | VNB4042702 | D05 | VNB4105274 | C16 |
| VNB1060202 | D04 | VNB1754278 | D04 | VNB3069178 | E06 | VNB3957402 | D05 | VNB4052502 | E02 | VNB4105374 | C16 |
| VNB1063478 | E02 | VNB1797478 | E09 | VNB3083893 | E07 | VNB3957502 | D05 | VNB4053474 | D16 | VNB4105574 | C16 |



Замовлення запчастин

(050)-407-68-47

(050)-407-68-45



RO-M

1001 ≥Mach ID



**Kverneland Group Nieuw-Venep B.V.
Hoofdweg 1278
NL-2153 LR Nieuw-Venep
The Netherlands**

Замовлення запчастин

(050)-407-68-47

(050)-407-68-45

© Kverneland group

All rights reserved. No part of this book may be reproduced, stored in a database or retrieval system, or published in any form or in any way, electronically, mechanically, optically, by print, photo print, microfilm (including micro and macro fiche), or any other means, including all video and CD systems, without prior written permission from the publisher.

