

Замовлення запчастин
RO-EDW
(050)-407-68-47
(050)-407-68-45

Spare Parts Manual

Article number:	VN70009952-1
Language:	EN
Production year (from):	2009
Prod. Series nr (from):	VN20801
01251 < Mach. ID <=	



Замовлення запчастин

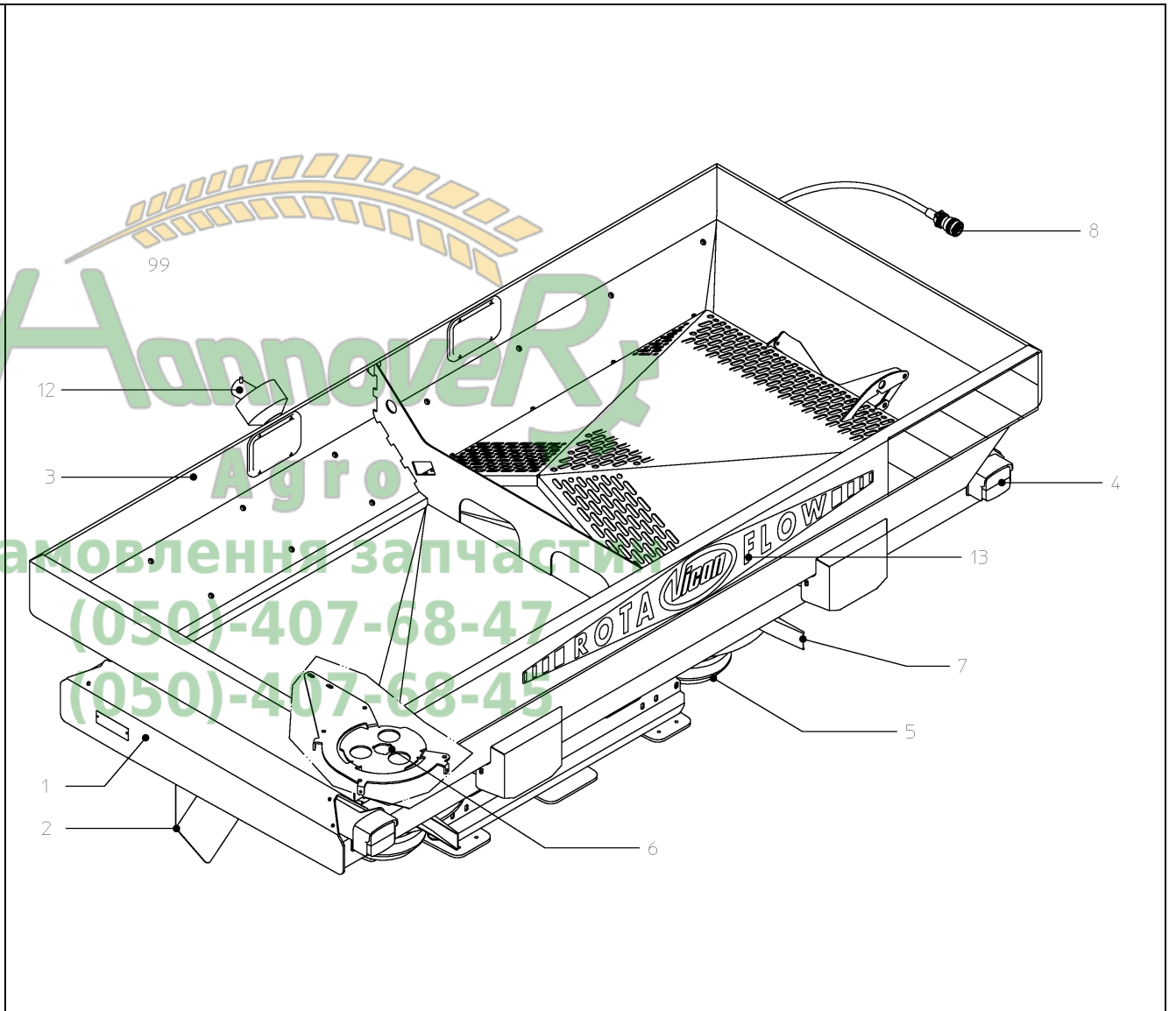
(050)-407-68-47

(050)-407-68-45

RO-EDW / Table of Contents



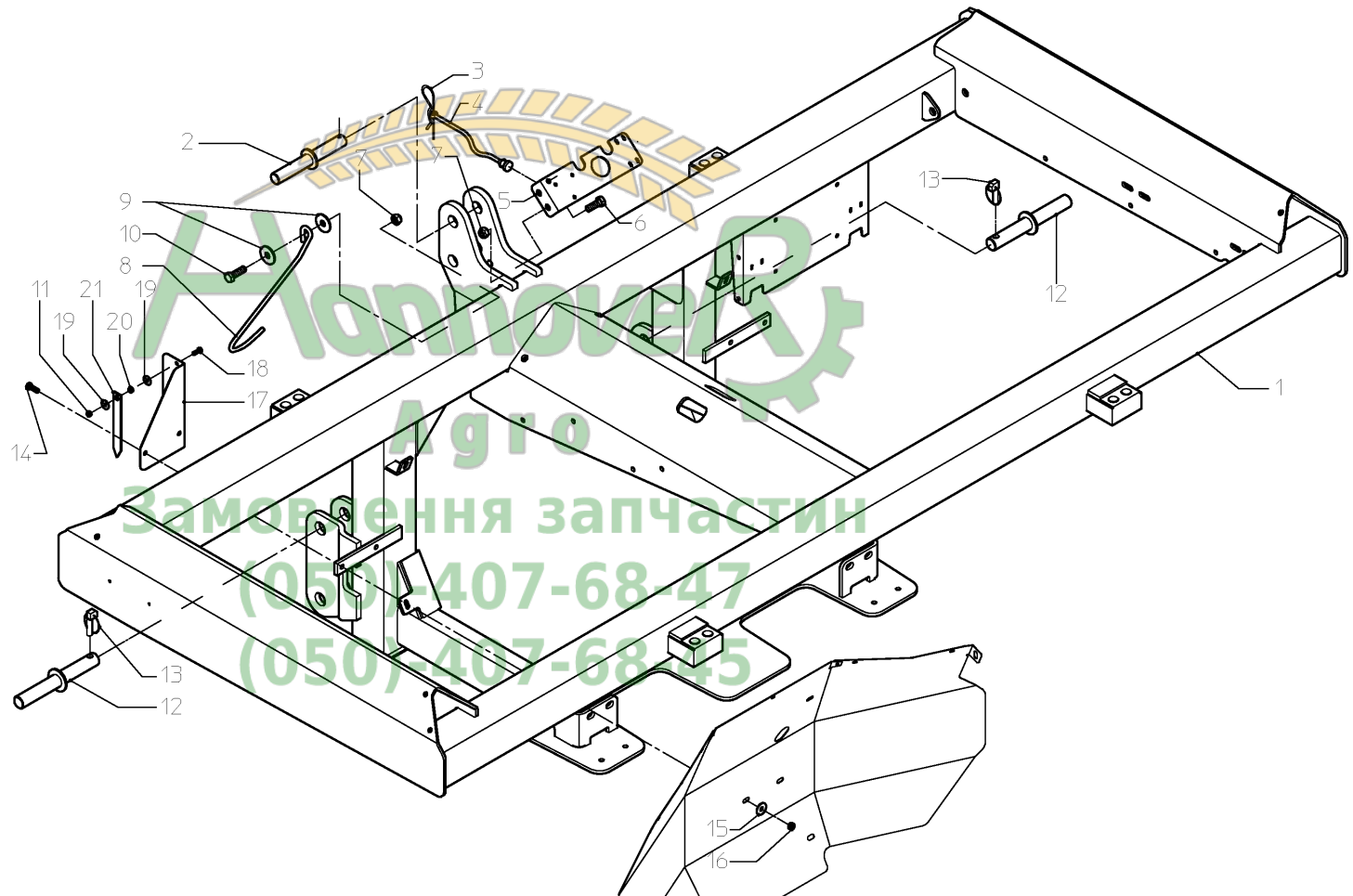
PosNo.	Assembly group	Page
1	FRAME	1
2	PROTECTION	2
2	PROTECTION	3
3	HOPPER AND SIEVE (1500 L)	4
3	HOPPER AND SIEVE (1875 L)	5
4	LIGHTING	6
5	DRIVE	7
6	DOSAGE	8
7	DISC, BROADCASTER	9
8	CONTROL, ISO	10
8	CONTROL, ISO	11
8	CONTROL, ISO	12
8	CONTROL, ISO	13
12	UNIV. JOINT SHAFT	14
13	DECAL SCHEMATIC	15
13	DECAL SCHEMATIC	16
99	ACCESSORIES	17
99	HOPPER EXTENSION (1500 L)	18
99	HOPPER EXTENSION (1875 L)	19
99	CLAMP EXTENSION	20
99	TARPAULIN (1500 L)	21
99	TARPAULIN (1875 L)	22
99	HOPPER EMPTYING SET	23
99	LADDERSET	24
99	FEELER GAUGE	25
99	CALIBRATION CONTAINER	26
99	BOUNDARY SPREADING PLATE	27
99	TRIMFLOW	28
99	WHEELSET	29
99	SPREADING PATTERN CONTROLSET	30
99	CONTROL BOX FOCUS	31
99	CONTROL BOX TELLUS	32
99	CABLES	33
99	CABLES	34
99	WHEELRINGS	35
99	SENSORS AND CABLES	36
99	RADARCABLES	37



RO-EDW / FRAME



PosNo.	Part No.	Qty.
1	VNB4281086	1
2	VNB1599786	1
3	VNB0897393	1
4	VNB0870178	1
5	VNB3358794	1
6	KG00501000	2
7	KG01070100	3
8	VNB2332694	1
9	KG01901600	2
10	KG00501200	1
11	KG01069800	1
12	VNB1599986	2
13	VNB0765193	2
14	KG00497100	2
15	KG01901400	2
16	KG01069900	2
17	VNB2003102	1
18	KG00495200	1
19	KG01901300	2
20	VNB2003302	1
21	VNB2003294	1

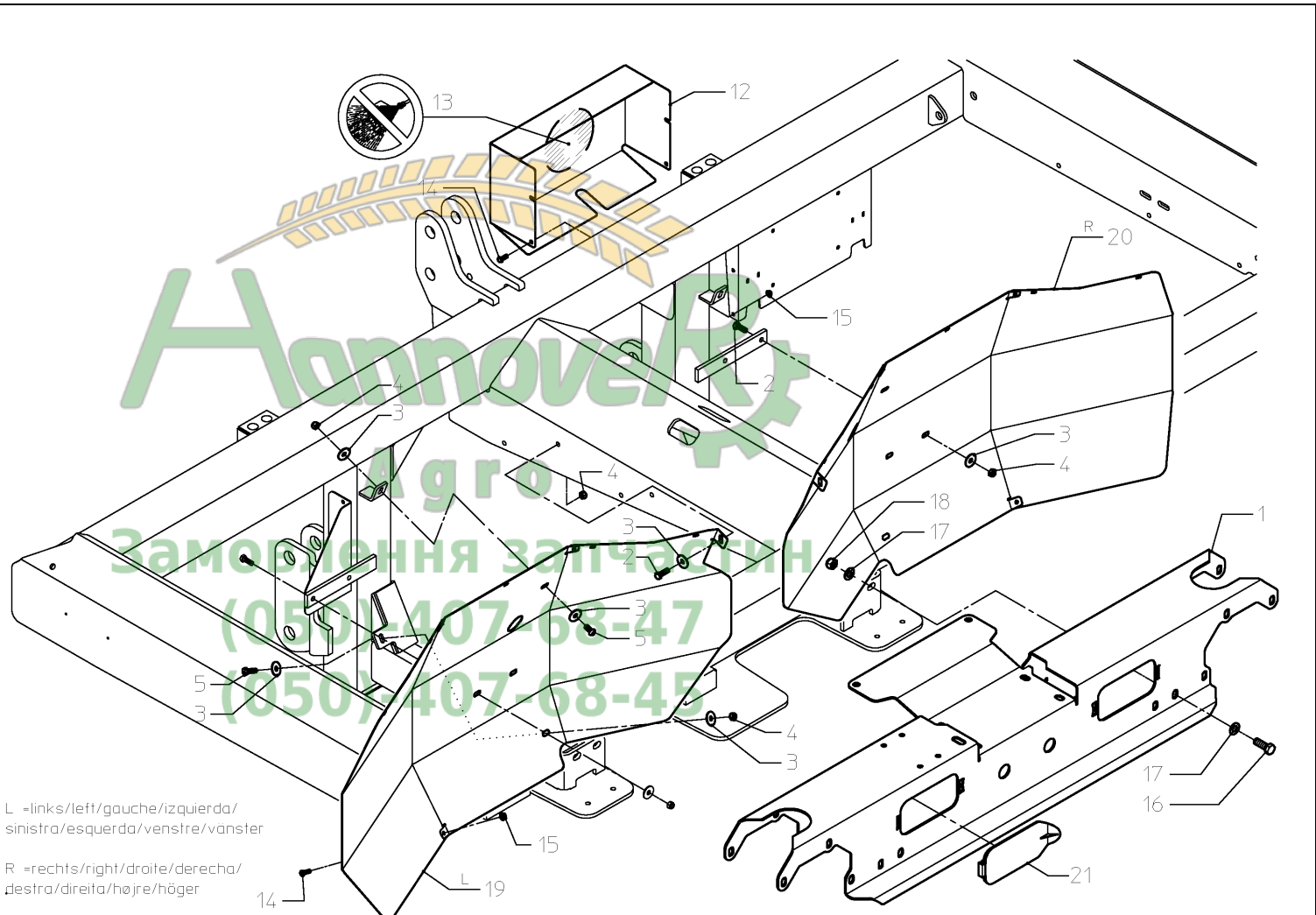


ROEDW_VN20801_L01

RO-EDW / PROTECTION



PosNo.	Part No.	Qty.
1	VNB4344486	1
2	KG00497100	4
3	KG01901400	12
4	KG01069900	8
5	KG00739400	4
12	VNB4281502	1
13	VNB2426674	1
14	KG00494900	8
15	KG01059600	8
16	KG00501000	8
17	KG01264100	16
18	KG01070100	8
19	VNB4381402	1
20	VNB4381502	1
21	VNB4253078	2



L =links/left/gauche/izquierda/
sinistra/esquerda/venstre/vänster

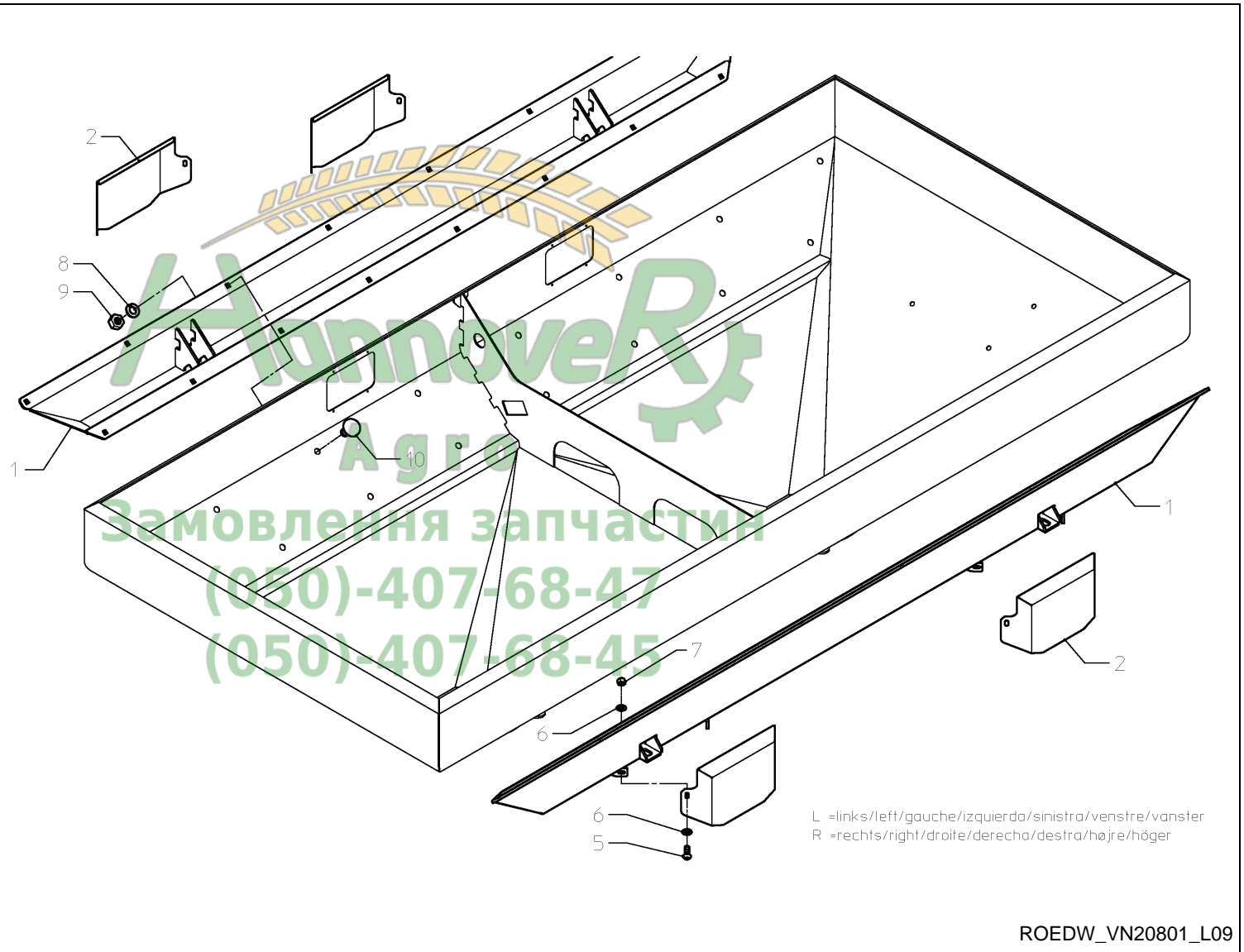
R =rechts/right/droite/derecha/
destra/direita/højre/höger

ROEDW_VN20801_L02

RO-EDW / PROTECTION



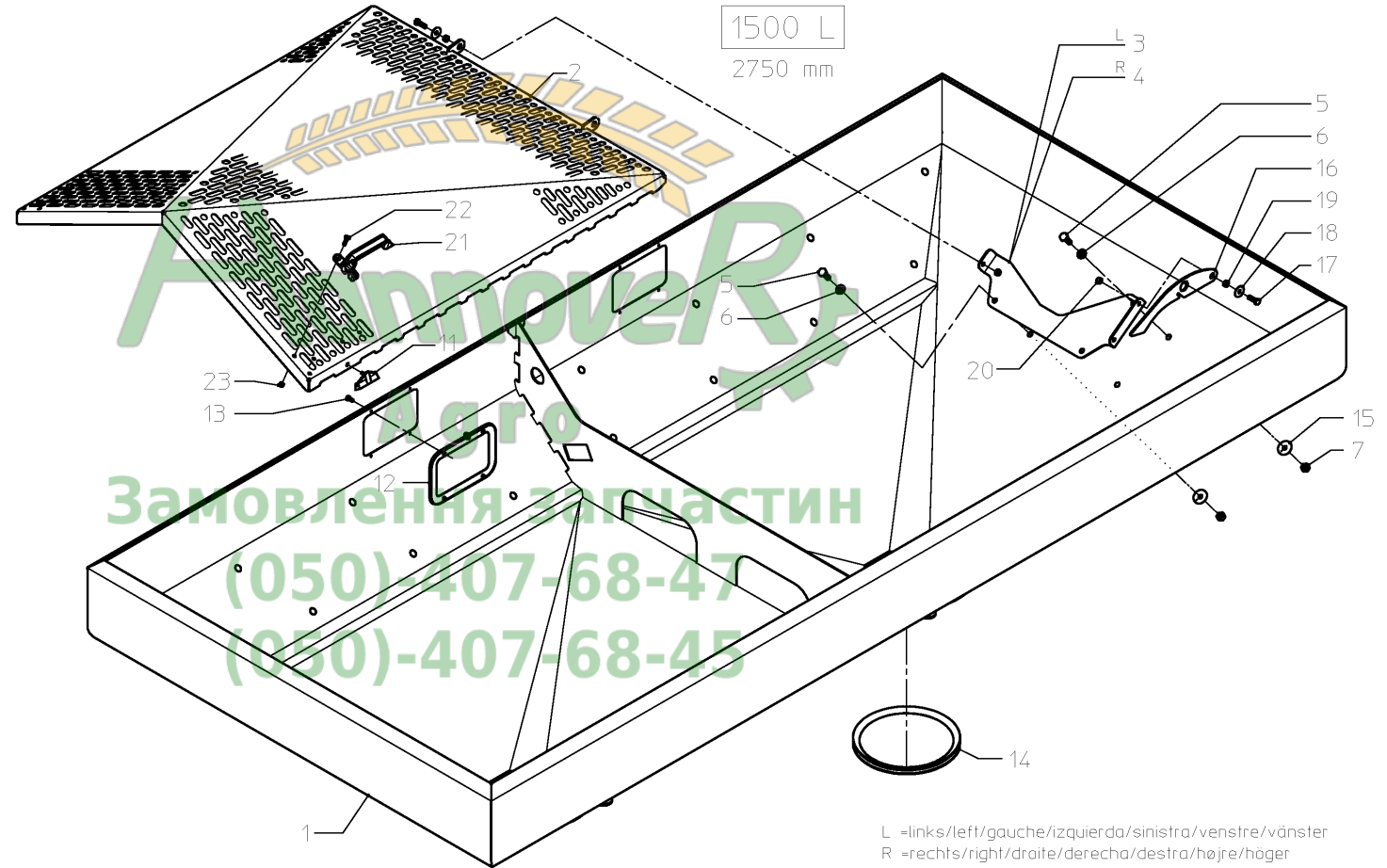
PosNo.	Part No.	Qty.
1	VNB4281294	2
2	VNB4190102	4
5	KG00739400	8
6	KG01263900	16
7	KG01069900	8
8	VN30117100	32
9	KG01053800	32
10	KG00654300	32



RO-EDW / HOPPER AND SIEVE (1500 L)



PosNo.	Part No.	Qty.
1	VNB4261794	1
2	VNB4277786	2
3	VNB4277994	1
4	VNB4278094	1
5	KG00498700	6
6	KG01264000	6
7	KG01070000	6
11	VNB2068778	4
12	VNB2760978	4
13	KG00747600	16
14	VNB4319078	2
15	KG01901500	6
16	VNB4627794	2
17	KG00497100	6
18	KG01901400	6
19	VNB4270602	6
20	KG01069900	6
21	VNB4627578	2
22	KG00870000	6
23	KG01069800	6



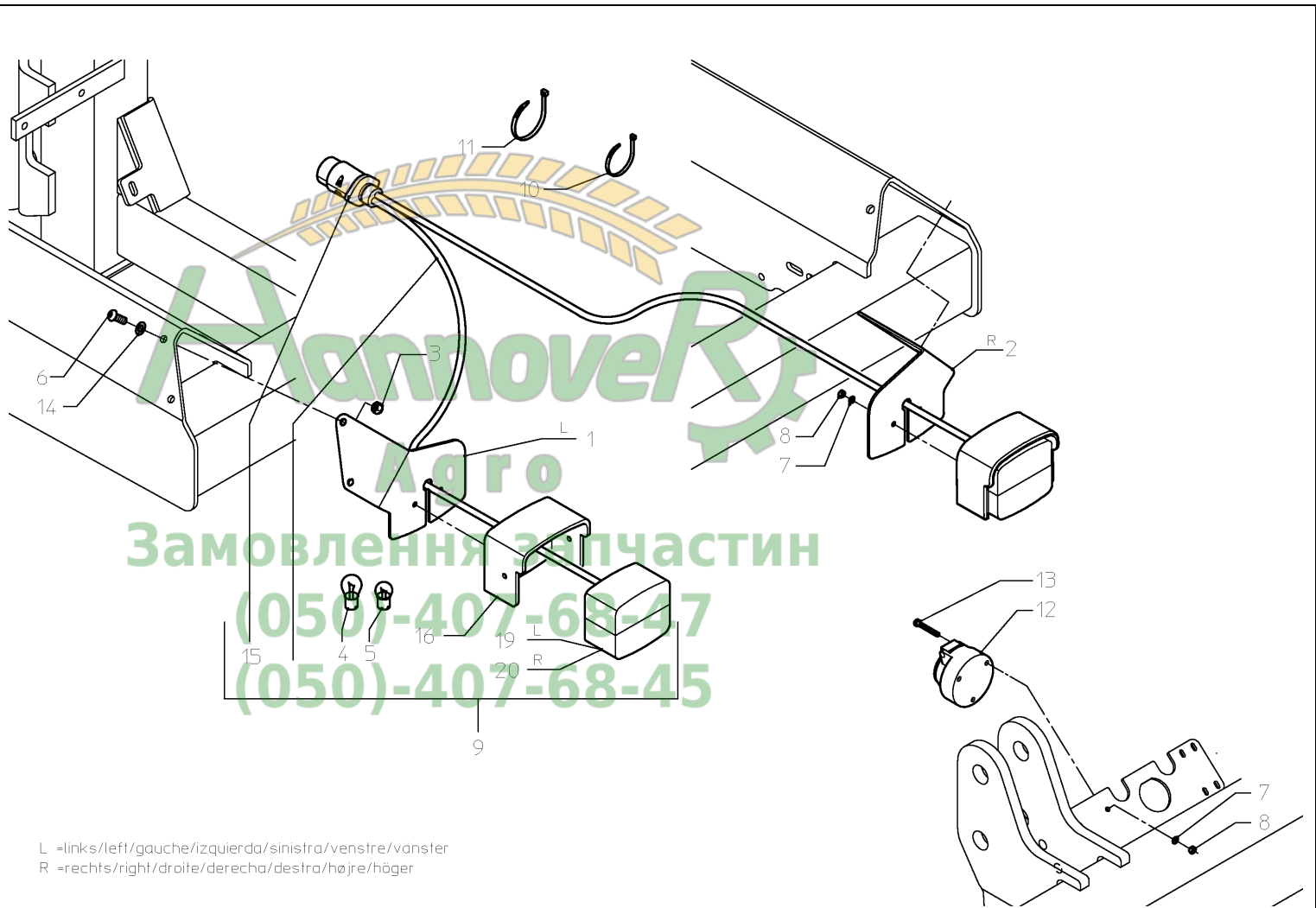
L =links/left/gauche/izquierda/sinistra/venstre/vänster
 R =rechts/right/droite/derecha/destra/højre/höger

ROEDW_VN20801_L07

RO-EDW / LIGHTING



PosNo.	Part No.	Qty.
1	VNB4281602	1
2	VNB4281702	1
3	KG01069900	4
4	VN48523002	4
5	VN48523001	2
6	KG00739400	4
7	KG01283000	7
8	KG01053400	7
9	VNB4255678	1
10	VN80504003	12
11	VN80504001	2
12	VNB0341273	1
13	KG00714100	3
14	KG01263900	4
15	VN48101007	1
16	VNB3620578	2
19	VNB3452478	1
20	VNB3452378	1

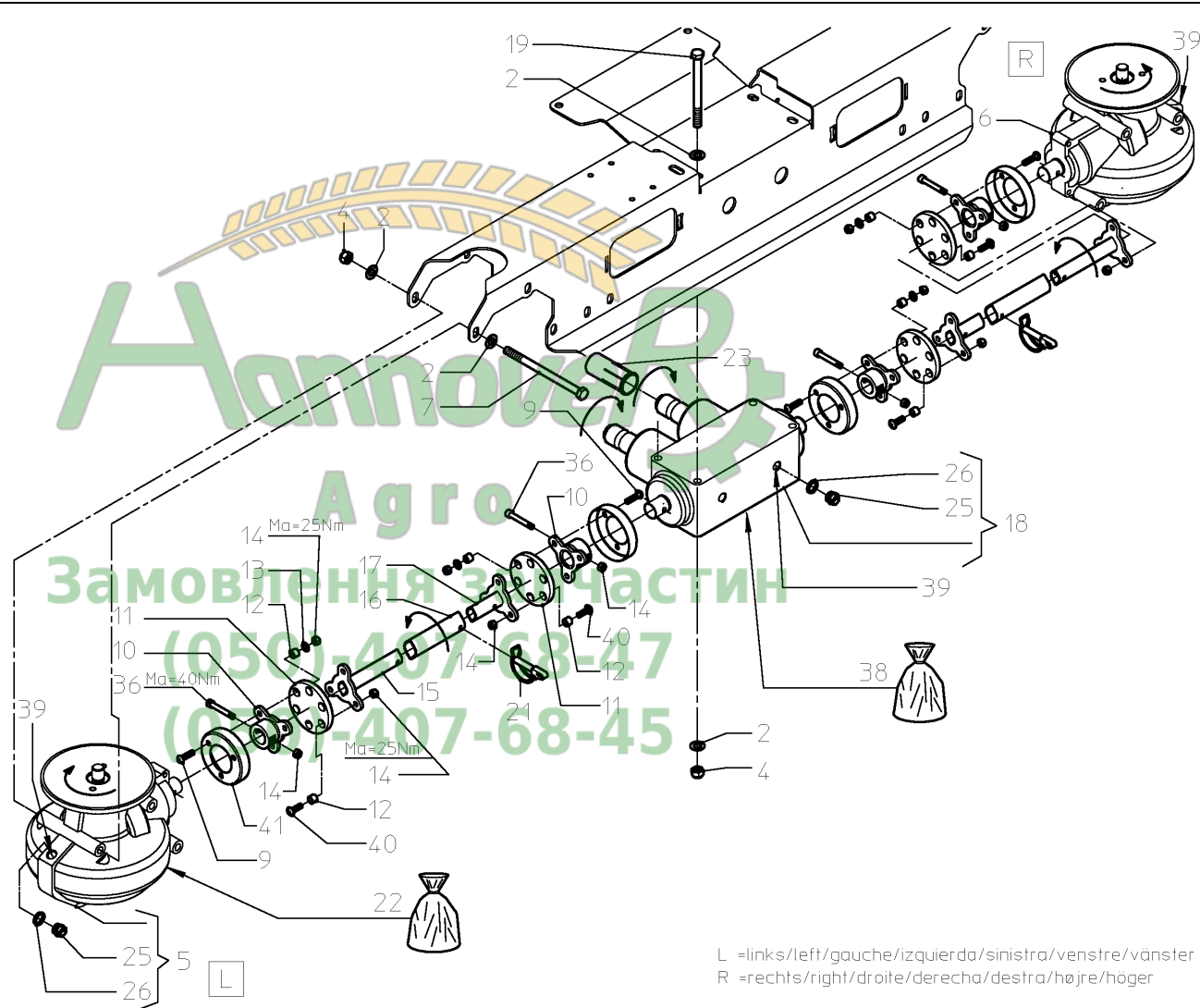


ROEDW_VN20801_L10

RO-EDW / DRIVE



PosNo.	Part No.	Qty.
2	KG01264100	20
4	KG01070100	10
5	VNB4064878	1
6	VNB4064978	1
7	KG00399800	6
9	KG00739600	12
10	VNB4347693	4
11	VNB2417578	4
12	VNB2417602	24
13	KG01263900	12
14	KG01069900	28
15	VNB4347993	2
16	VNB4348393	2
17	VNB4348193	2
18	VNB4341978	1
19	KG00399400	4
21	VNB0682993	2
22	VNB4466478	2
23	VNB3550678	1
25	VNB3588378	4
26	VNB3588478	4
36	VNB4348493	4
38	VNB4466678	1
39		
40	RG00050664	12
41	VNB3910902	4



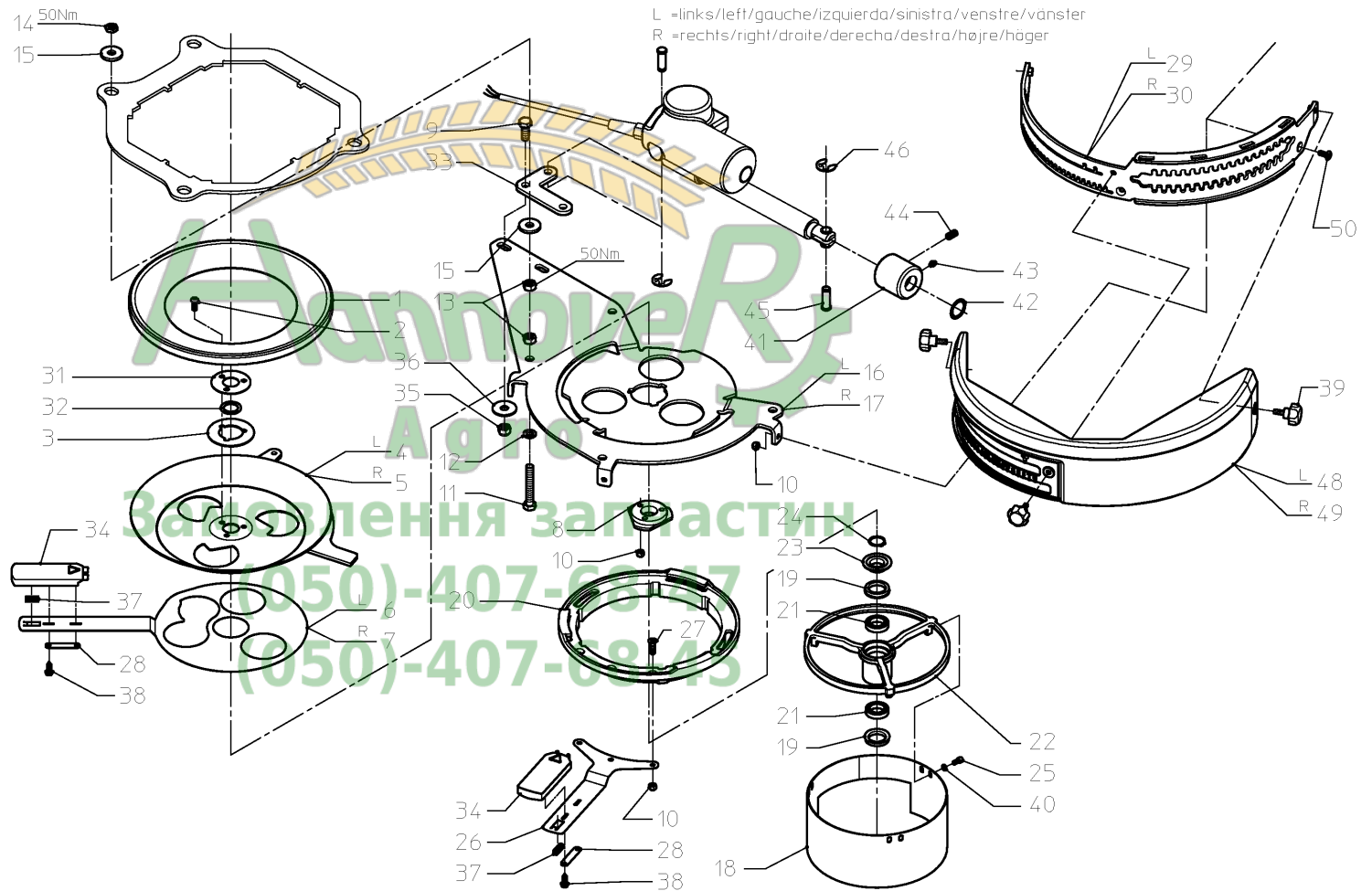
L =links/left/gauche/izquierda/sinistra/vestre/vänster
 R =rechts/right/droite/derecha/destra/højre/höger

ROEDW_VN20801_L04

RO-EDW / DOSAGE



PosNo.	Part No.	Qty.
1	VNB3317278	2
2	KG00738100	6
3	VNB4061702	2
4	VNB3969702	1
5	VNB3969802	1
6	VNB3957302	1
7	VNB3957402	1
8	VNB4073178	2
9	KG00498700	4
10	KG01069800	18
11	KG00499500	8
12	VN30117100	8
13	KG01053800	16
14	KG01044900	8
15	VNB4042702	16
16	VNB3967598	1
17	VNB3967698	1
18	VNB4239702	2
19	VN36112005	4
20	VNB4060978	2
21	KG01421400	4
22	VNB4225402	2
23	VNB4023502	2
24	KG01107862	2
25	KG00562400	6
26	VNB3957502	2
27	KG00870000	6
28	VNB3559902	4
29	VNB4042498	1
30	VNB4042598	1
31	VNB4059402	2
32	VNB4061978	2
33	VNB3322594	2
34	VNB3958278	4
35	KG01070000	4
36	KG01901500	4
37	VNB3970002	4
38	KG00747600	8
39	VNB4077378	6
40	KG01283000	6

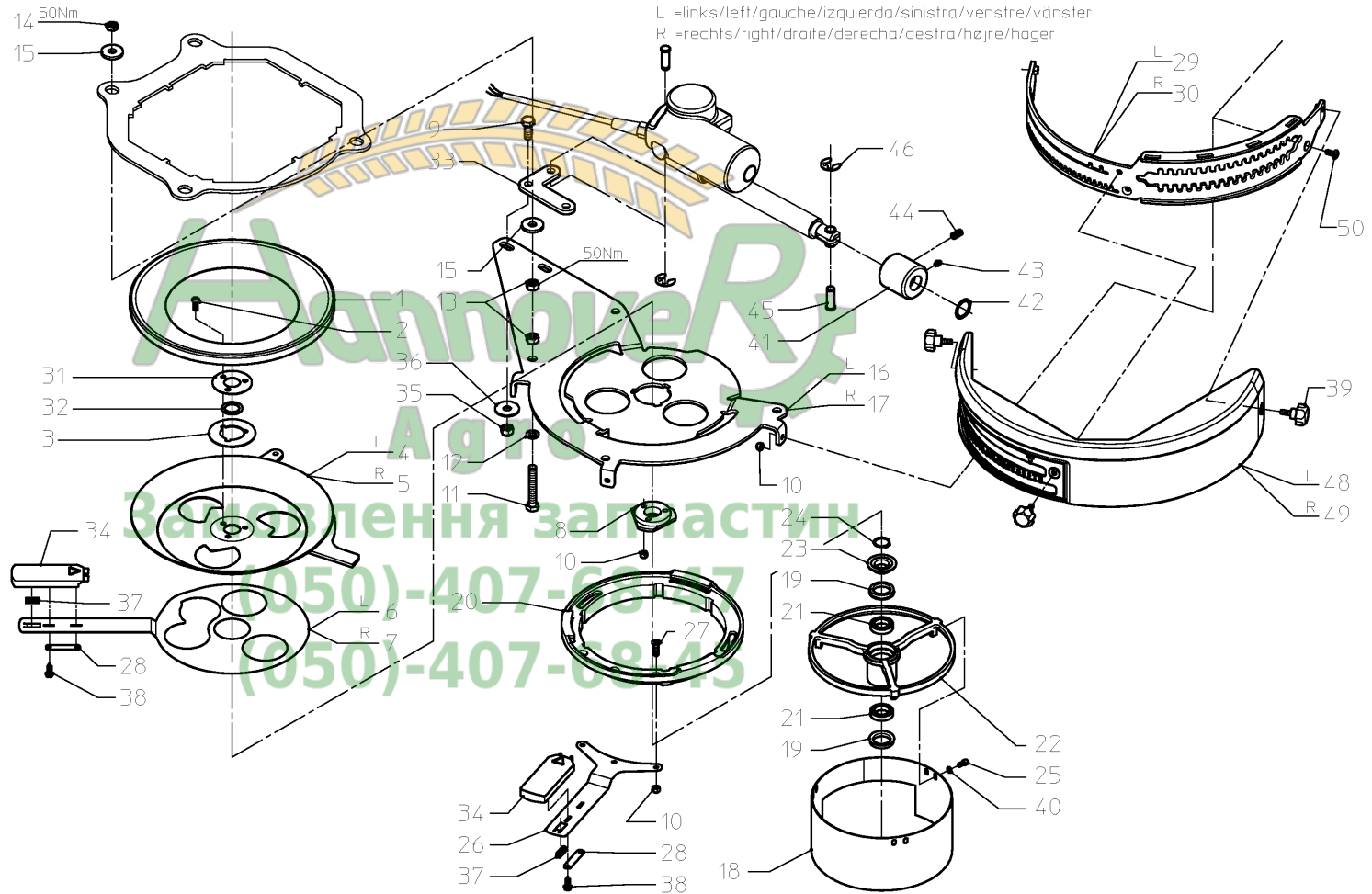


ROEDW_VN20801_L06

RO-EDW / DOSAGE



PosNo.	Part No.	Qty.
41	VNB3317378	2
42	VN36107317	2
43	VN30130800	2
44	KG00945900	2
45	VNB1843002	4
46	VN30116090	4
48	VNB4063078	1
49	VNB4063178	1
50	KG00870200	6



ROEDW_VN20801_L06

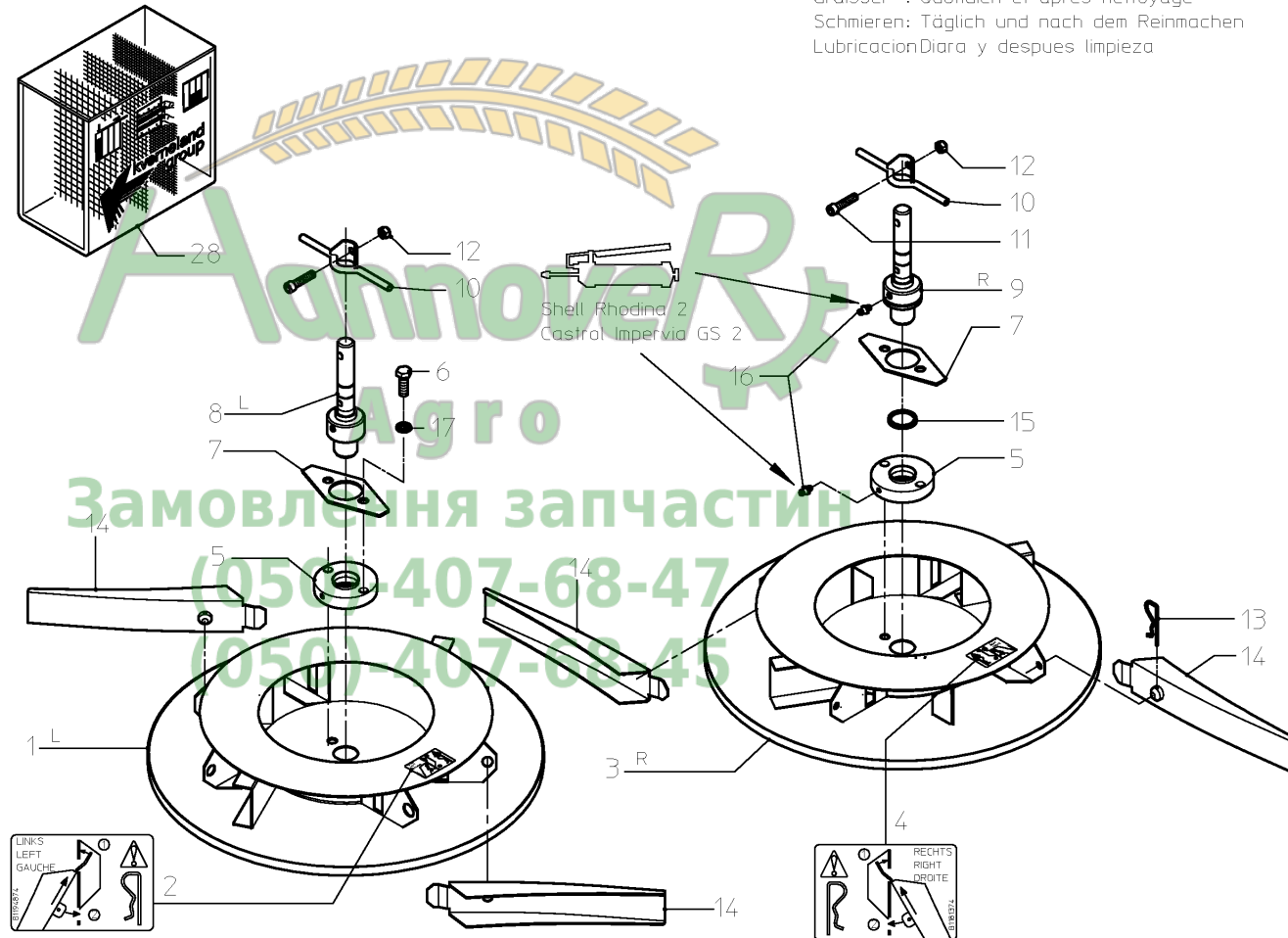
RO-EDW / DISC, BROADCASTER



PosNo.	Part No.	Qty.
1	VNB3414002	1
2	VNB1194874	1
3	VNB3414102	1
4	VNB1181374	1
5	VNB3388365	2
6	KG00498800	4
7	VNB3388402	2
8	VNB4077502	1
9	VNB4077602	1
10	VNB3717802	2
11	KG00565700	2
12	KG01069900	2
13	VNB1082102	12
14	VNB1060002	12
15	VN36112032	2
16	VN30130800	4
17	KG01283300	4
28	VN79771219	1

L =links/left/gauche/izquierda/sinistra/venstre/vänster
 R =rechts/right/droite/derecha/destra/højre/höger

Smeren : Dagelijks en na het schoonmaken
 Lubricate : Daily and after cleaning
 Graisser : Quotidien et après nettoyage
 Schmierer : Täglich und nach dem Reinmachen
 Lubricacion Diaria y despues limpieza

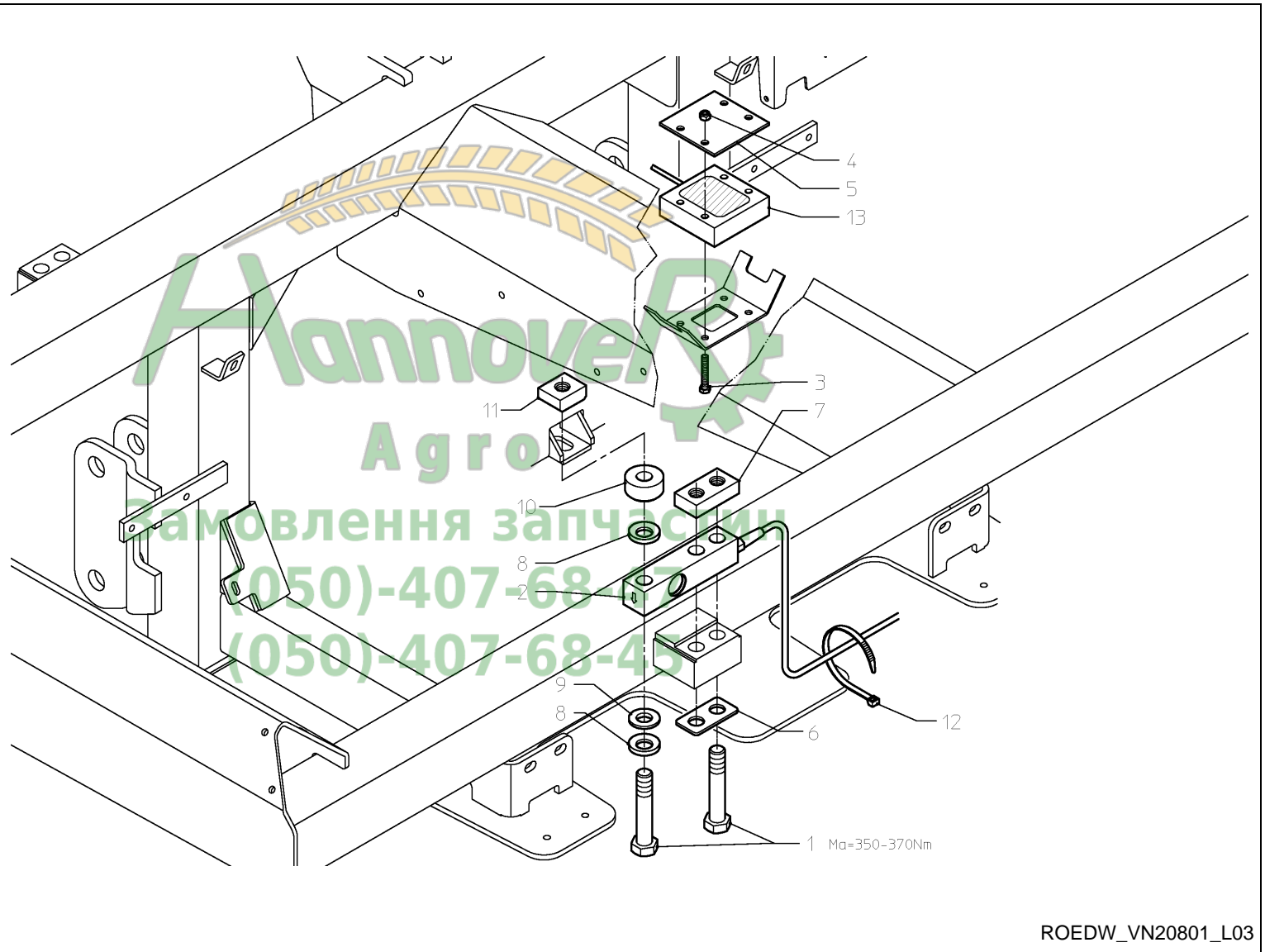


ROEDW_VN20801_L05

RO-EDW / CONTROL, ISO



PosNo.	Part No.	Qty.
1	KG00433200	12
2	VNB4070073	4
3	KG00497600	4
4	KG01069900	4
5	VNB2336686	1
6	VNB4190702	4
7	VNB4190602	4
8	VNB4281802	8
9	VNB4281902	4
10	VNB4282002	4
11	VNB4190502	4
12	VN80504001	6
13	VNB0522373	1

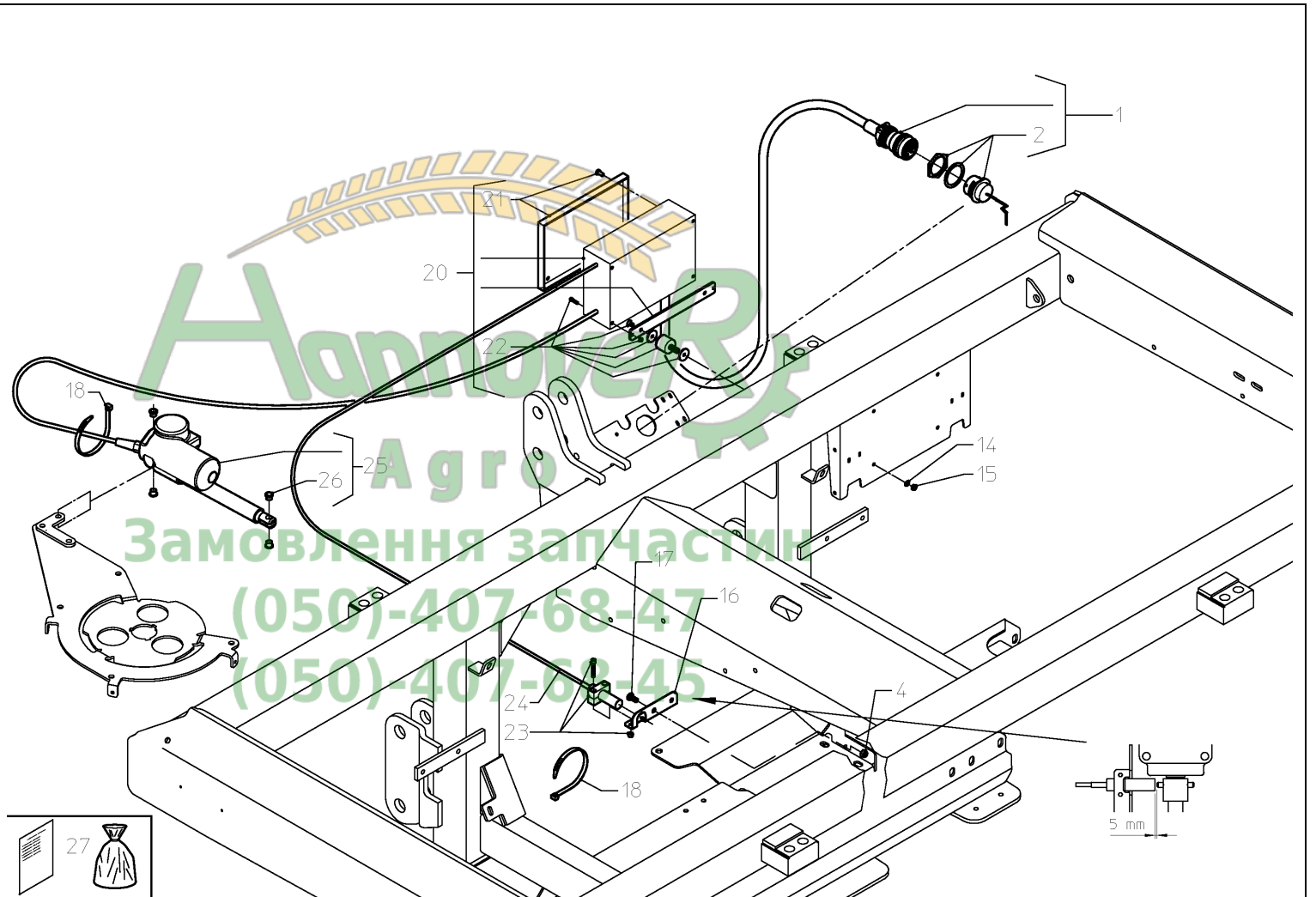


ROEDW_VN20801_L03

RO-EDW / CONTROL, ISO



PosNo.	Part No.	Qty.
1	VNB0563673	1
2	VNB0547873	1
4	KG01069900	2
14	VN30117600	4
15	KG01053500	4
16	VNB4256202	1
17	KG00496800	2
18	VN80504001	4
20	VNB0578473	1
21	VNB0489473	1
22	MT00000532	1
23	VN31903304	1
24	VNB0446473	1
25	VNB0554173	2
26	VNB2235978	8
27	VNB0566173	1

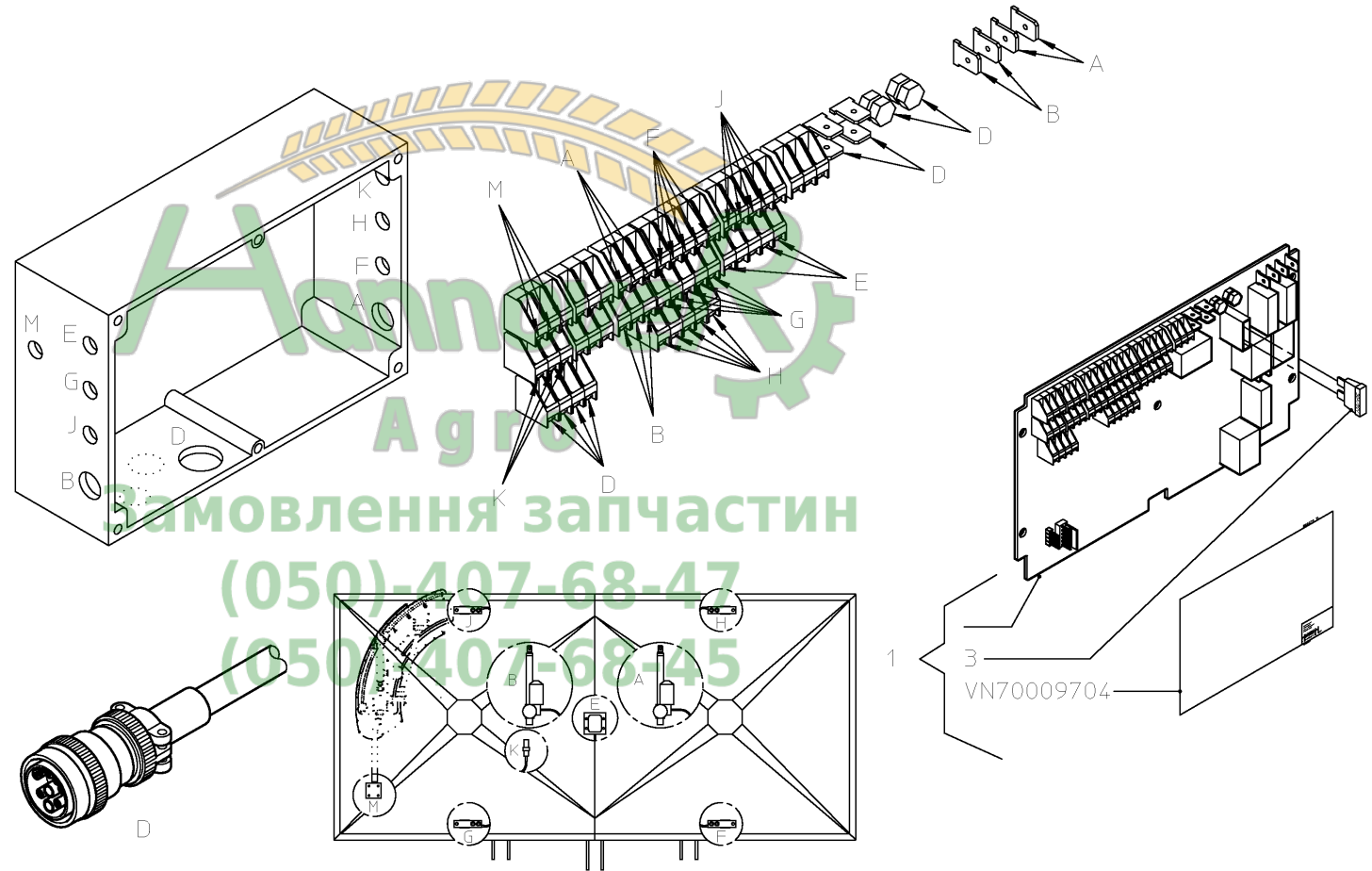


ROEDW_VN20801_L17

RO-EDW / CONTROL, ISO



PosNo.	Part No.	Qty.
1	VN79730444	1
3	VNB0066573	1

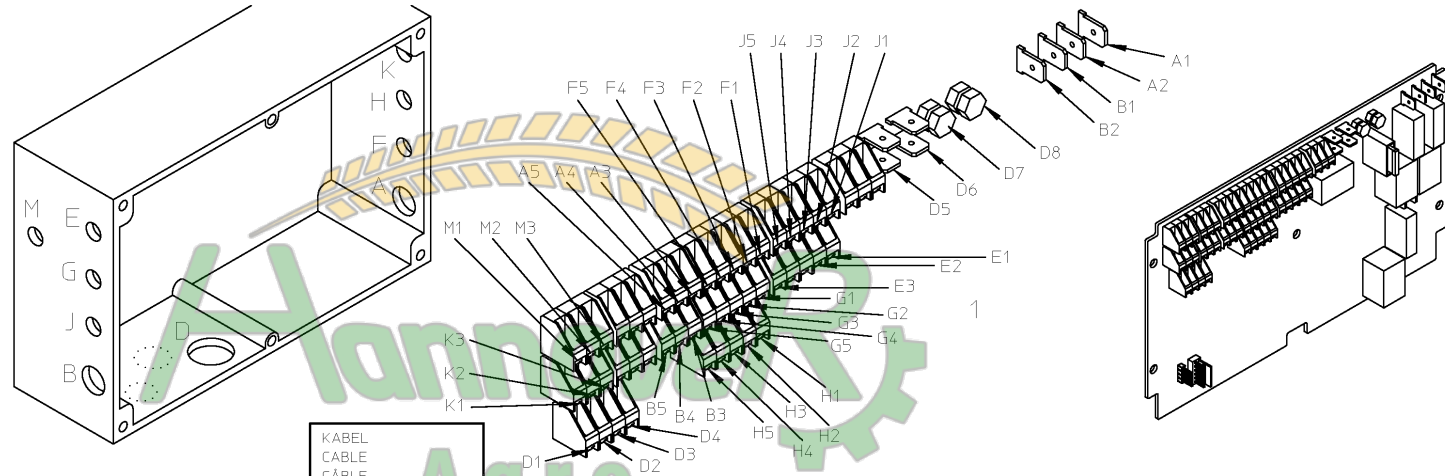


ROEDW_VN20801_L11

RO-EDW / CONTROL, ISO



PosNo. Part No. Qty.



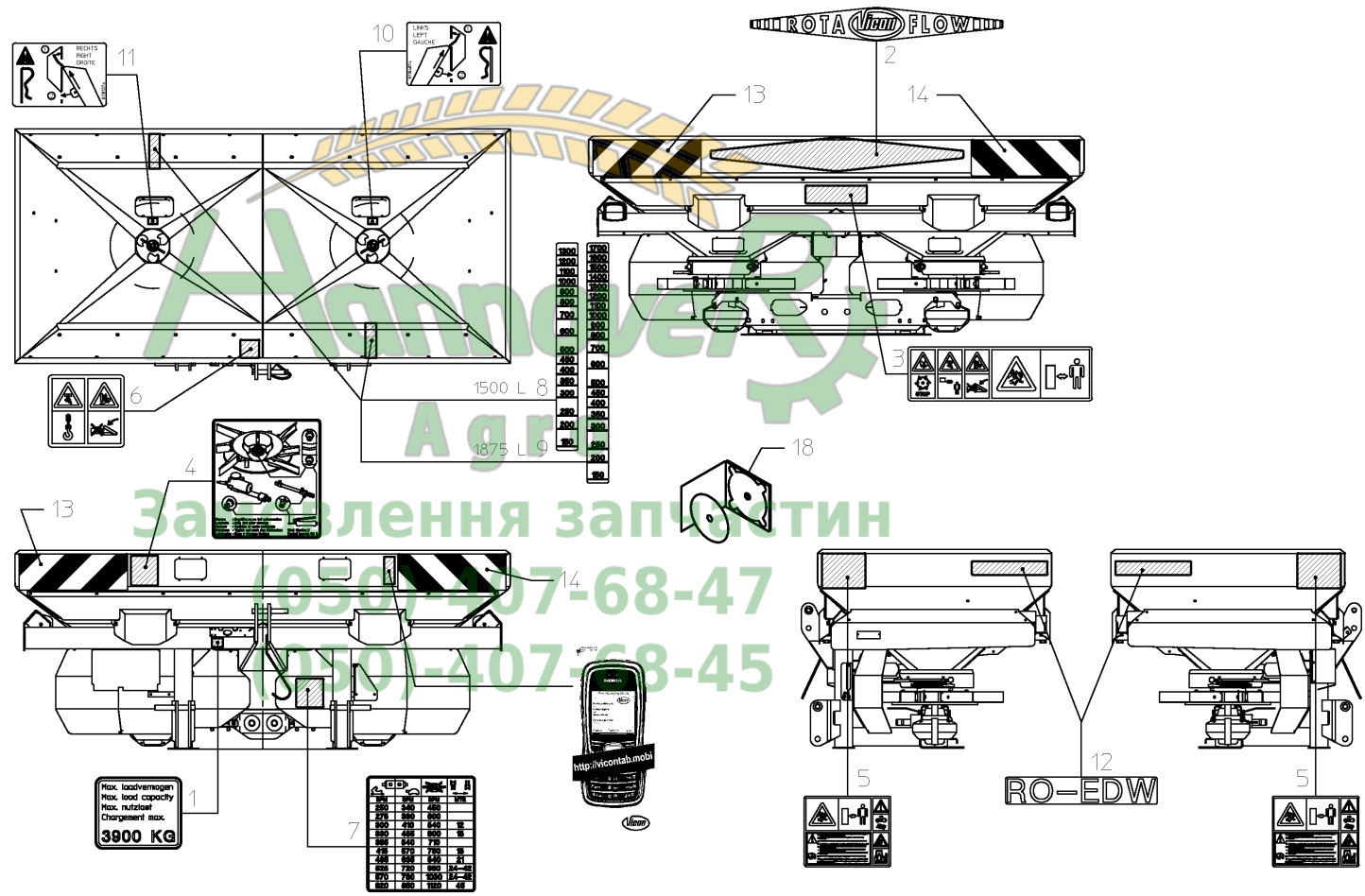
KABEL
CABLE
CAVLO

KLEUR	COLOR	CABLE CAVLO	FARBE	COULEUR	COLOR	COLORE	FARVE	FÄRG
geel+rood	yellow+red	A1 & B1	gelb+rot	jaune+rouge	amarillo+rojo	giallo+rosso	gul+red	gul+röd
wit/oranje)+groen	white/orange)+green	A2 & B2	weiss/orange)+gruen	blanc/orange)+vert	blanco/oranja)+verde	bianco/tarancia)+verde	hvid/orange)+grön	vitt/orange)+grön
bruin	brown	A3 & B3	braun	maron	brun	marrone	brun	brun
blauw	blue	A4 & B4	blau	bleu	azul	azzurro	blå	blå
zwart	black	A5 & B5	schwarz	noir	negro	nero	sort	svart
groen	green	D1	gruen	vert	verde	verde	grön	grön
zwart	black	D2 =0,75mm	schwarz	noir	negro	nero	sort	svart
geel	yellow	D3	gelb	jaune	amarillo	giallo	gul	gul
rood	red	D4 =0,75mm	rot	rouge	rojo	rosso	röd	röd
zwart	black	D5 =2,5mm	schwarz	noir	negro	nero	sort	svart
rood	red	D6 =2,5mm	rot	rouge	rojo	rosso	röd	röd
zwart	black	D7 =6mm	schwarz	noir	negro	nero	sort	svart
rood	red	D8 =6mm	rot	rouge	rojo	rosso	röd	röd
bruin	brown	E1	braun	maron	brun	marrone	brun	brun
zwart (geel/groen)	black (yellow/green)	E2	schwarz (gelb/gruen)	noir (jaune/vert)	negro (amarillo/verde)	nero (giallo/verde)	sort (gul/grön)	svart (gul/grön)
blauw	blue	E3	blau	bleu	azul	azzurro	blå	blå
rood	red	F1 & G1 & H1 & J1	rot	rouge	rojo	rosso	röd	röd
groen	green	F2 & G2 & H2 & J2	grun	vert	verde	verde	grön	grön
wit	white	F3 & G3 & H3 & J3	weiss	blanc	blanco	bianco	hvid	vitt
zwart	black	F4 & G4 & H4 & J4	schwarz	noir	negro	nero	sort	svart
afscherming blauw	shielding blue	F5 & G5 & H5 & J5	abschirmung blau	blindage bleu	blindaje azul	scudo azzurro	afskærmming blå	avskærmming blå
blauw	blue	K1 & M1	blau	bleu	azul	azzurro	blå	blå
zwart	black	K2 & M2	schwarz	noir	negro	nero	sort	svart
bruin	brown	K3 & M3	braun	maron	brun	marrone	brun	brun

ROEDW_VN20801_L12

RO-EDW / DECAL SCHEMATIC

PosNo.	Part No.	Qty.
1	VNB4053074	1
2	VNB4105274	1
3	VNB4377074	1
4	VNB4493474	1
5	VNB4376974	2
6	VNB4377174	1
7	VNB3444974	1
8	VNB4105474	2
9	VNB4366374	2
10	VNB1194874	1
11	VNB1181374	1
12	VNB4105774	2
13	VNB4377474	2
14	VNB4377574	2
18	VNB2822600	1

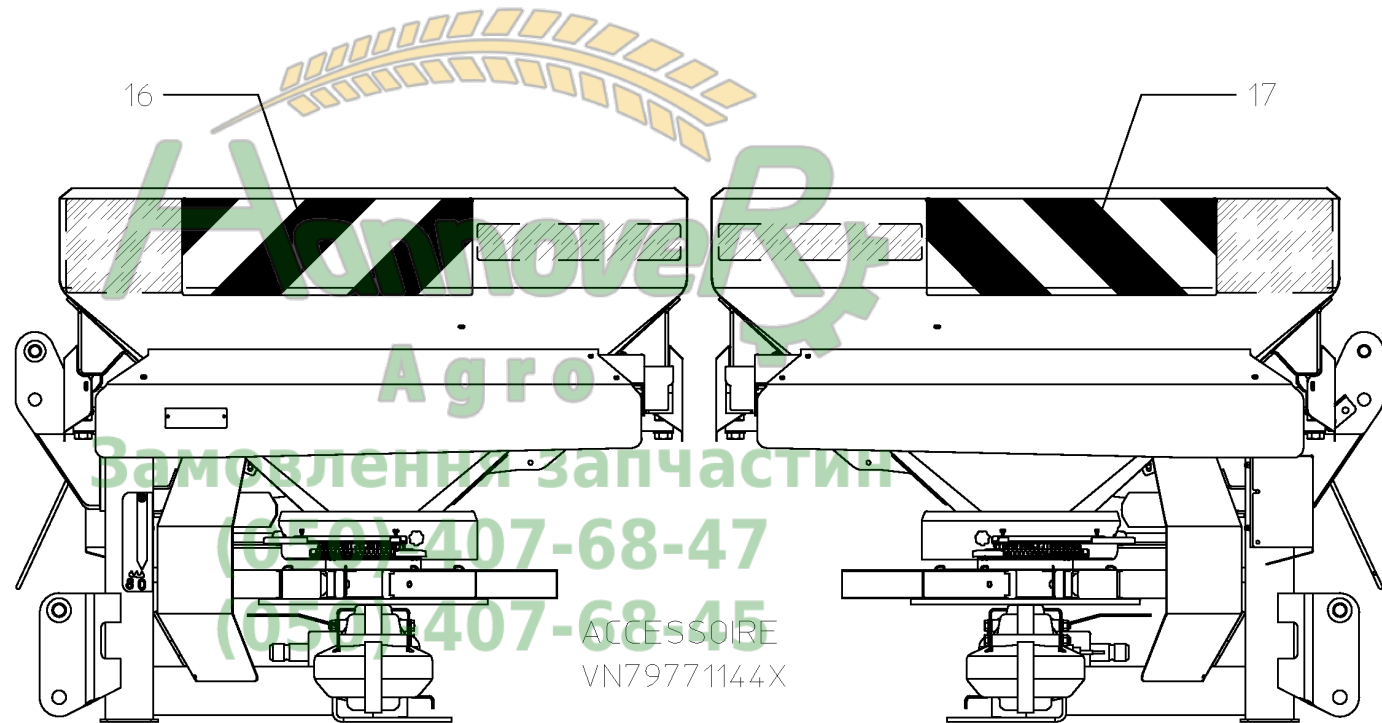


ROEDW_VN20801_C11

RO-EDW / DECAL SCHEMATIC



PosNo.	Part No.	Qty.
16	VNB4377474	1
17	VNB4377574	1

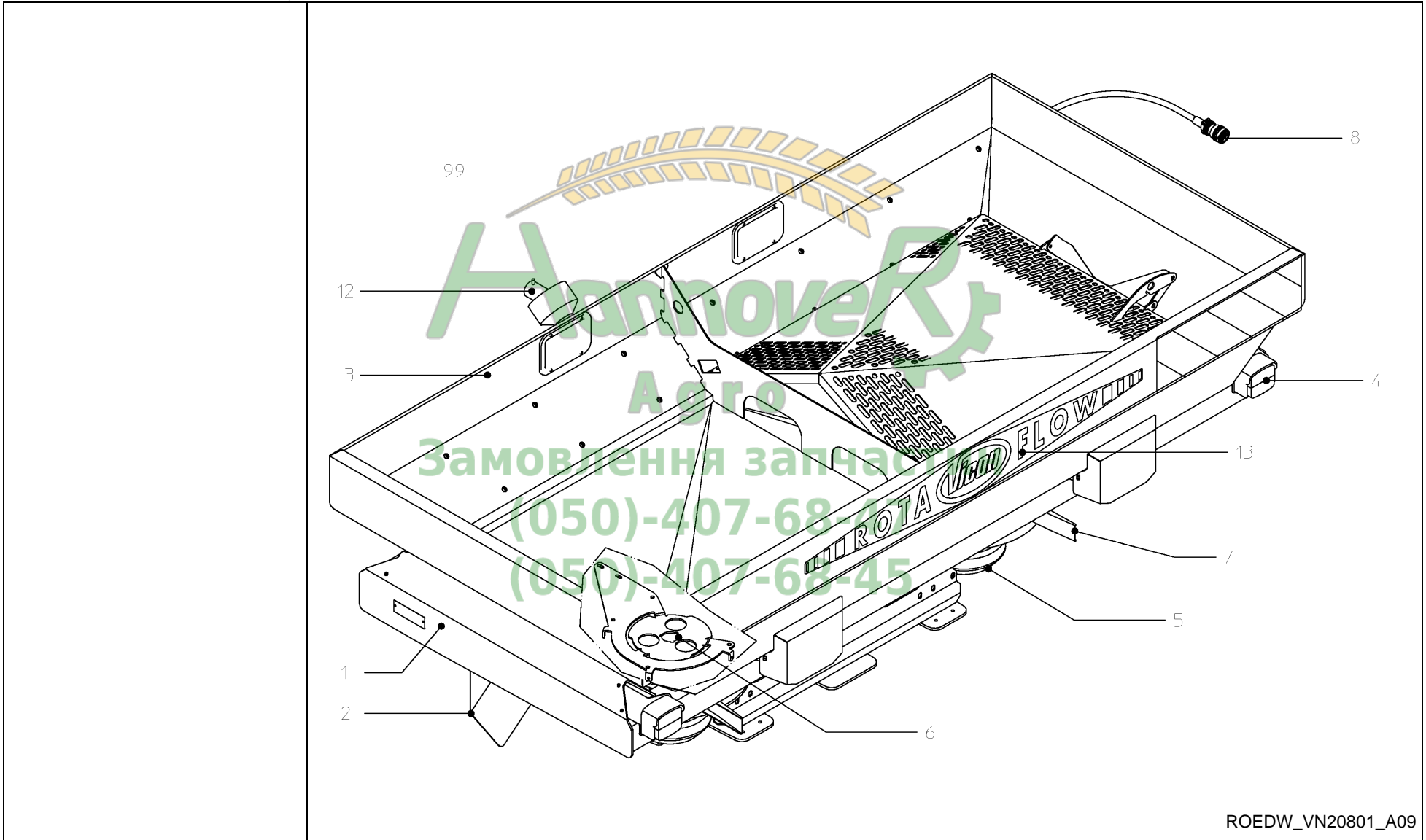


ROEDW_VN20801_C12

RO-EDW / ACCESSORIES



PosNo. Part No. Qty.

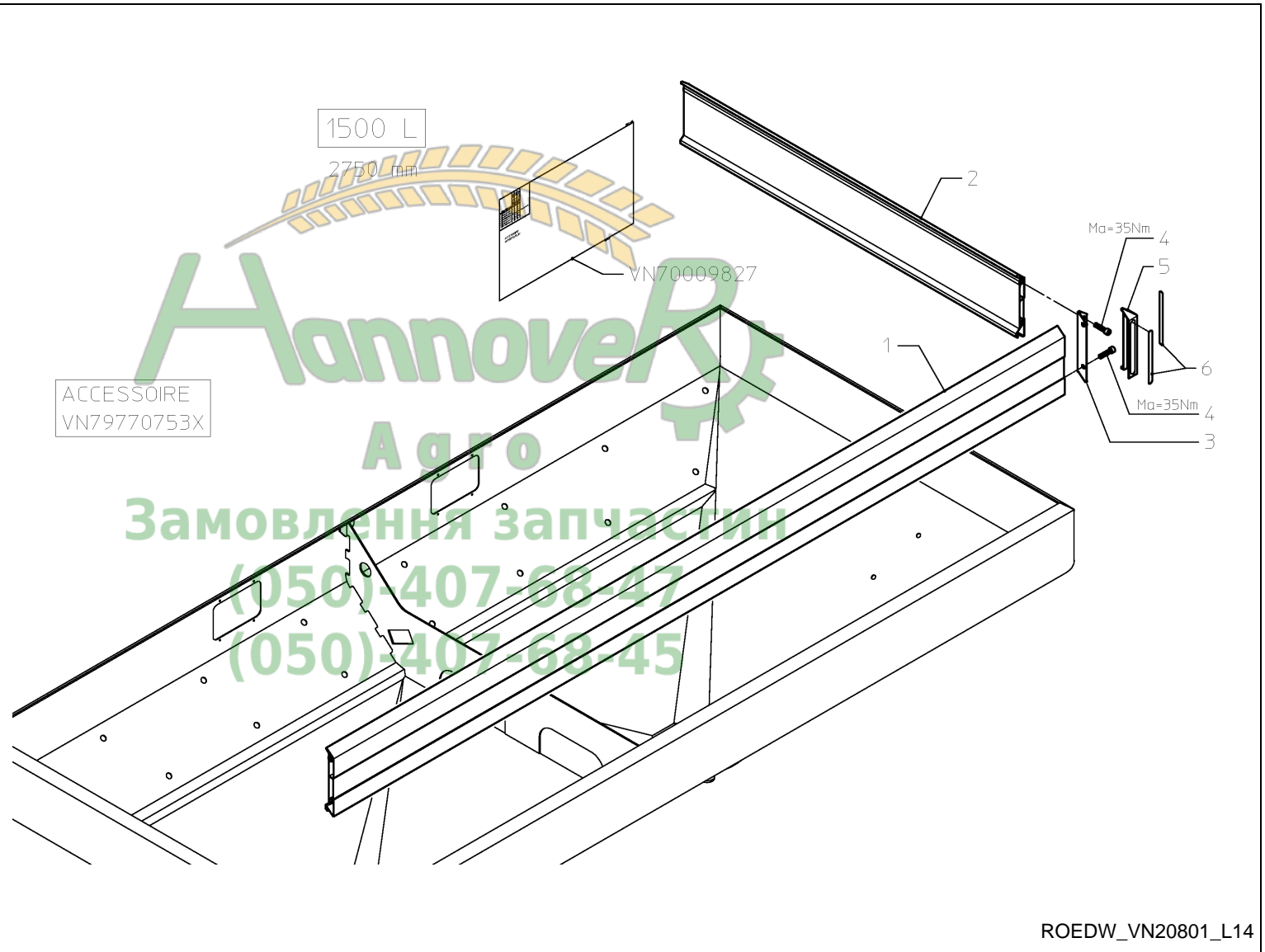


ROEDW_VN20801_A09

RO-EDW / HOPPER EXTENSION (1500 L)



PosNo.	Part No.	Qty.
1	VNB4014802	2
2	VNB4014902	2
3	VNB3984186	4
4	VNB4218178	16
5	VNB4014778	4
6	VNB4053474	8

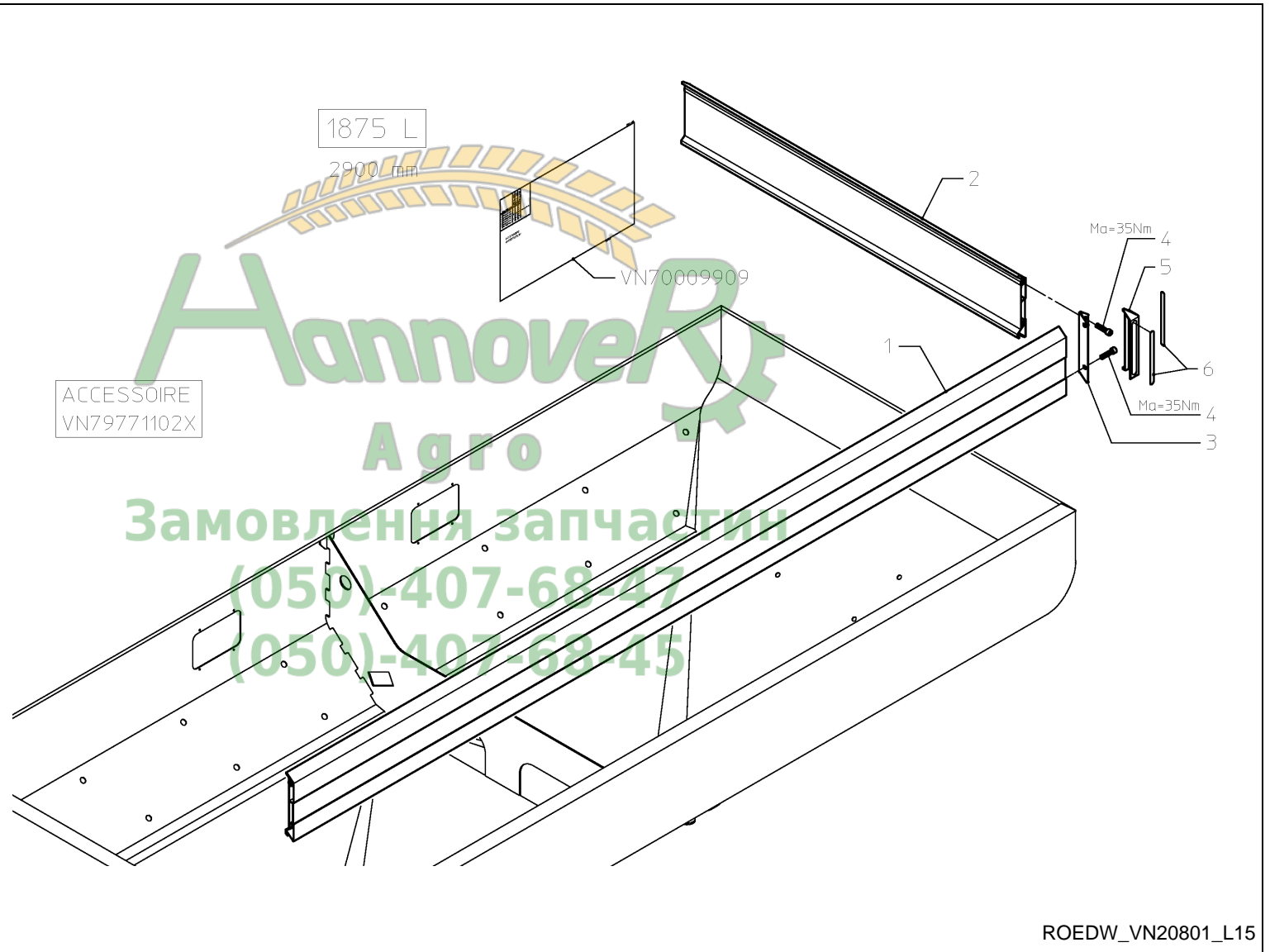


ROEDW_VN20801_L14

RO-EDW / HOPPER EXTENSION (1875 L)



PosNo.	Part No.	Qty.
1	VNB4328202	2
2	VNB4014902	2
3	VNB3984186	4
4	VNB4218178	16
5	VNB4014778	4
6	VNB4053474	8

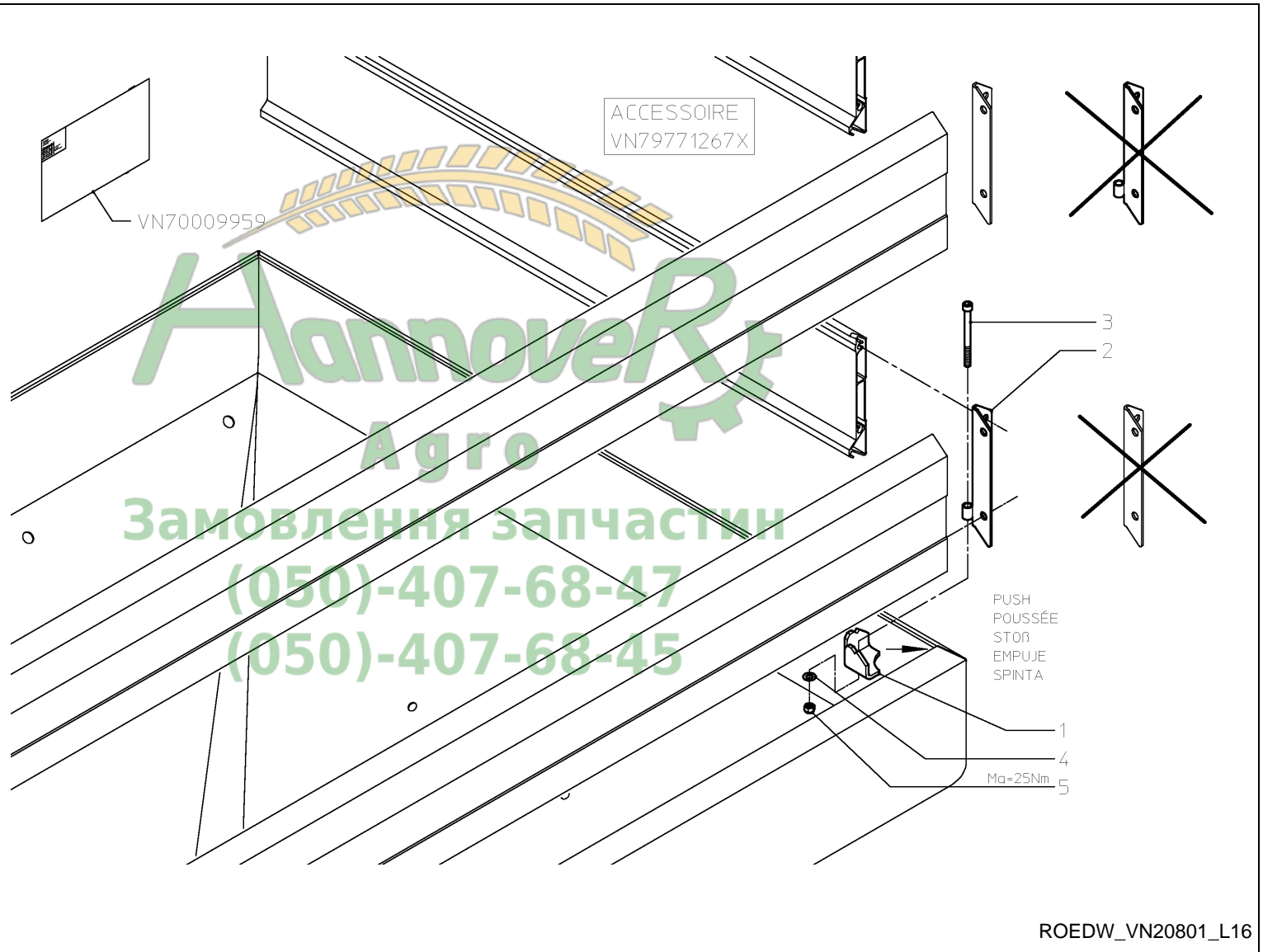


ROEDW_VN20801_L15

RO-EDW / CLAMP EXTENSION



PosNo.	Part No.	Qty.
1	VNB4512294	4
2	VNB4512386	4
3	KG00566500	4
4	KG01263900	4
5	KG01069900	4

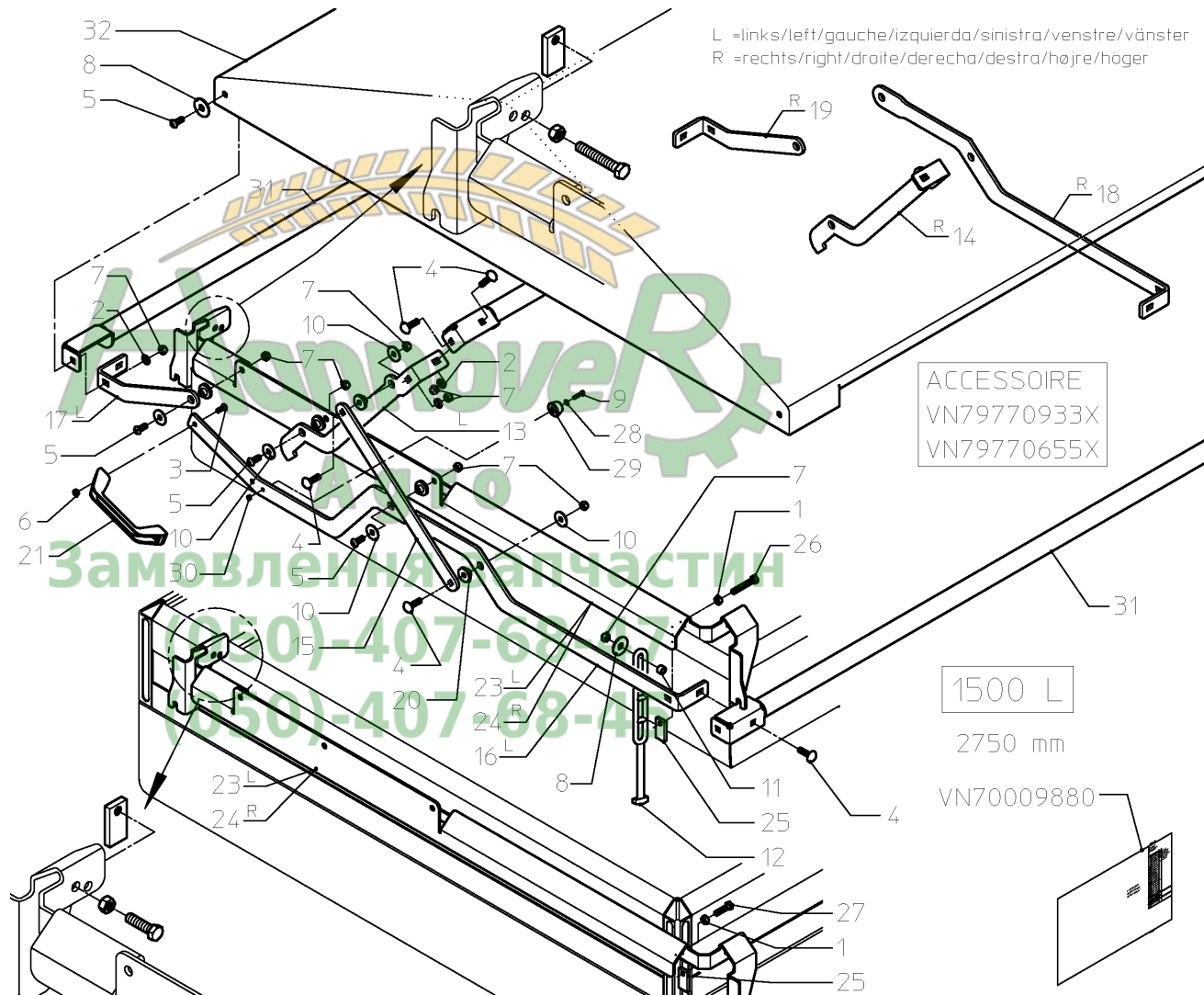


ROEDW_VN20801_L16

RO-EDW / TARPAULIN (1500 L)



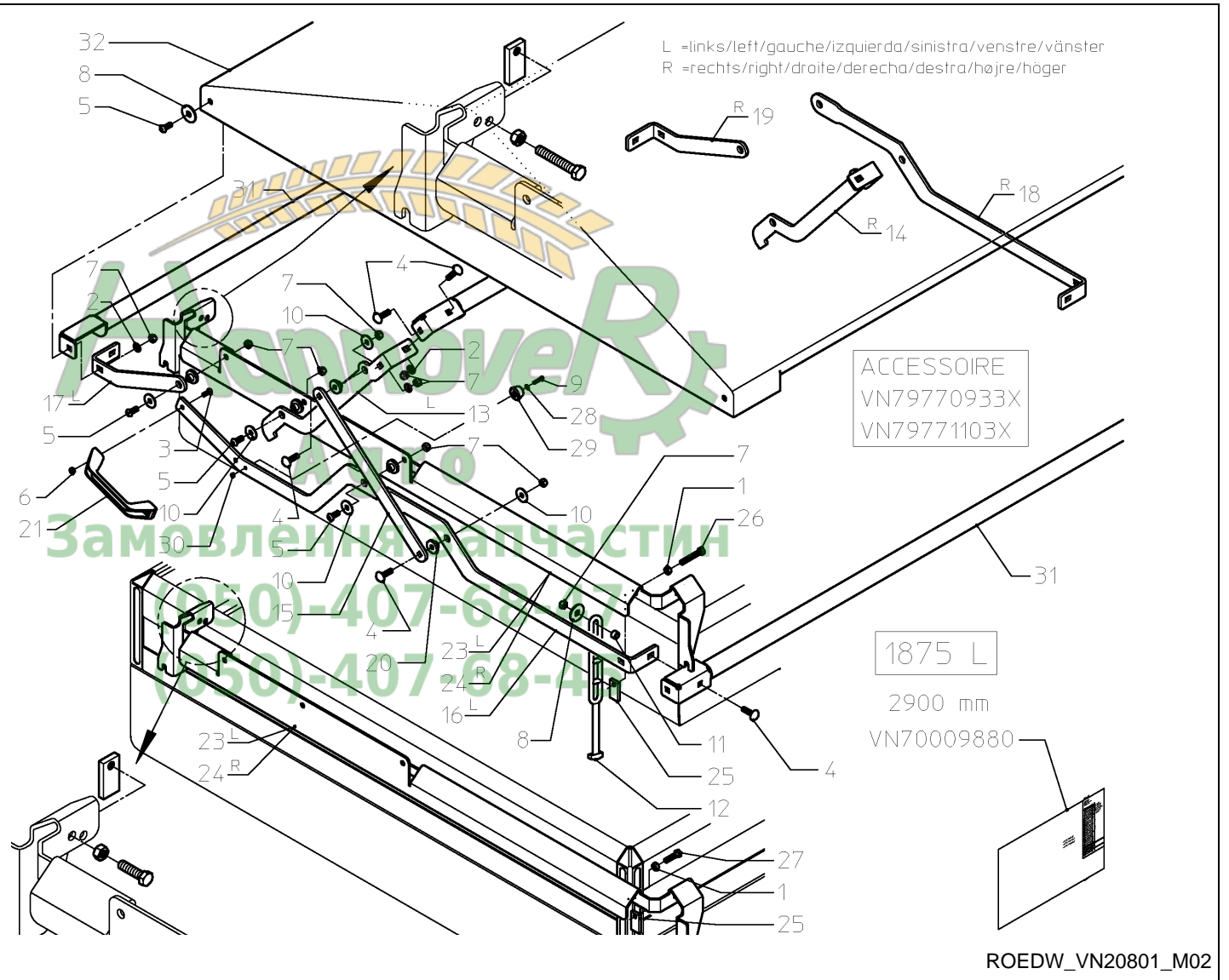
PosNo.	Part No.	Qty.
1	KG01053700	8
2	KG01263900	8
3	KG00738100	2
4	KG00652900	12
5	KG00739600	10
6	KG01053500	2
7	KG01069900	22
8	KG01901500	8
9	KG00712600	1
10	KG01901400	10
11	VNB2092402	4
12	VNB3443478	4
13	VNB3602694	1
14	VNB3602794	1
15	VNB3603194	2
16	VNB4306994	1
17	VNB3603394	1
18	VNB3708094	1
19	VNB3603594	1
20	VNB4487278	10
21	RG00040217	1
23	VNB4306794	1
24	VNB4306894	1
25	VNB4309102	8
26	KG00497600	8
27	KG00497200	8
28	KG01263600	1
29	VNB3447178	1
30	KG01069600	1
31	VNB3707494	3
32	VNB4079778	1



RO-EDW / TARPAULIN (1875 L)



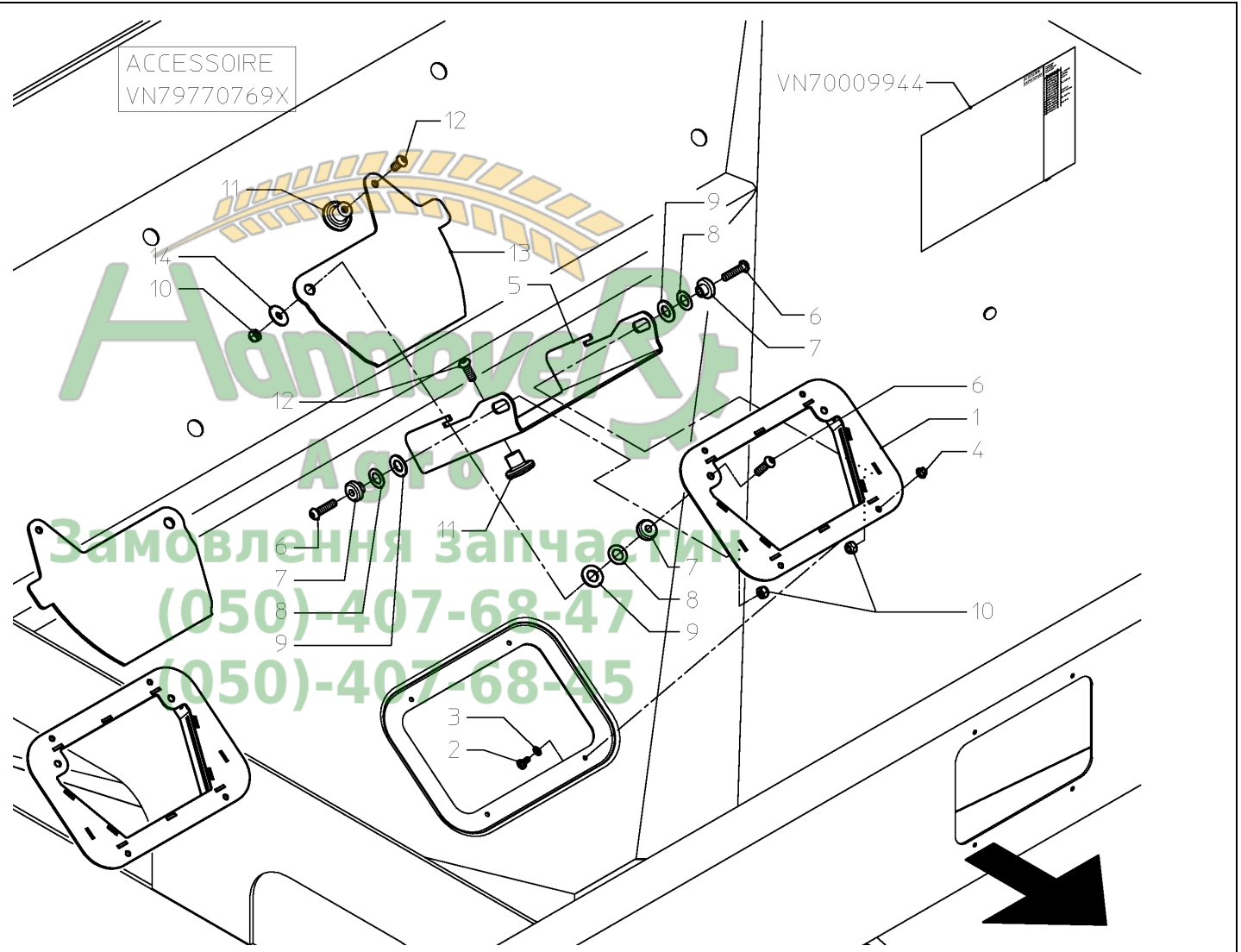
PosNo.	Part No.	Qty.
1	KG01053700	8
2	KG01263900	8
3	KG00738100	2
4	KG00652900	12
5	KG00739600	10
6	KG01053500	2
7	KG01069900	22
8	KG01901500	8
9	KG00712600	1
10	KG01901400	10
11	VNB2092402	4
12	VNB3443478	4
13	VNB3602694	1
14	VNB3602794	1
15	VNB3603194	2
16	VNB4306994	1
17	VNB3603394	1
18	VNB3708094	1
19	VNB3603594	1
20	VNB4487278	10
21	RG00040217	1
23	VNB4306794	1
24	VNB4306894	1
25	VNB4309102	8
26	KG00497600	8
27	KG00497200	8
28	KG01263600	1
29	VNB3447178	1
30	KG01069600	1
31	VNB4373494	3
32	VNB4283878	1



RO-EDW / HOPPER EMPTYING SET



PosNo.	Part No.	Qty.
1	VNB4407802	2
2	KG00679900	8
3	KG01263600	8
4	VN30105400	8
5	VNB4408202	2
6	KG00738300	6
7	VNB4423502	6
8	VNB4451002	6
9	KG01264000	6
10	KG01069800	6
11	VNB4334578	4
12	KG00738100	4
13	VNB4408302	2
14	KG01901300	2

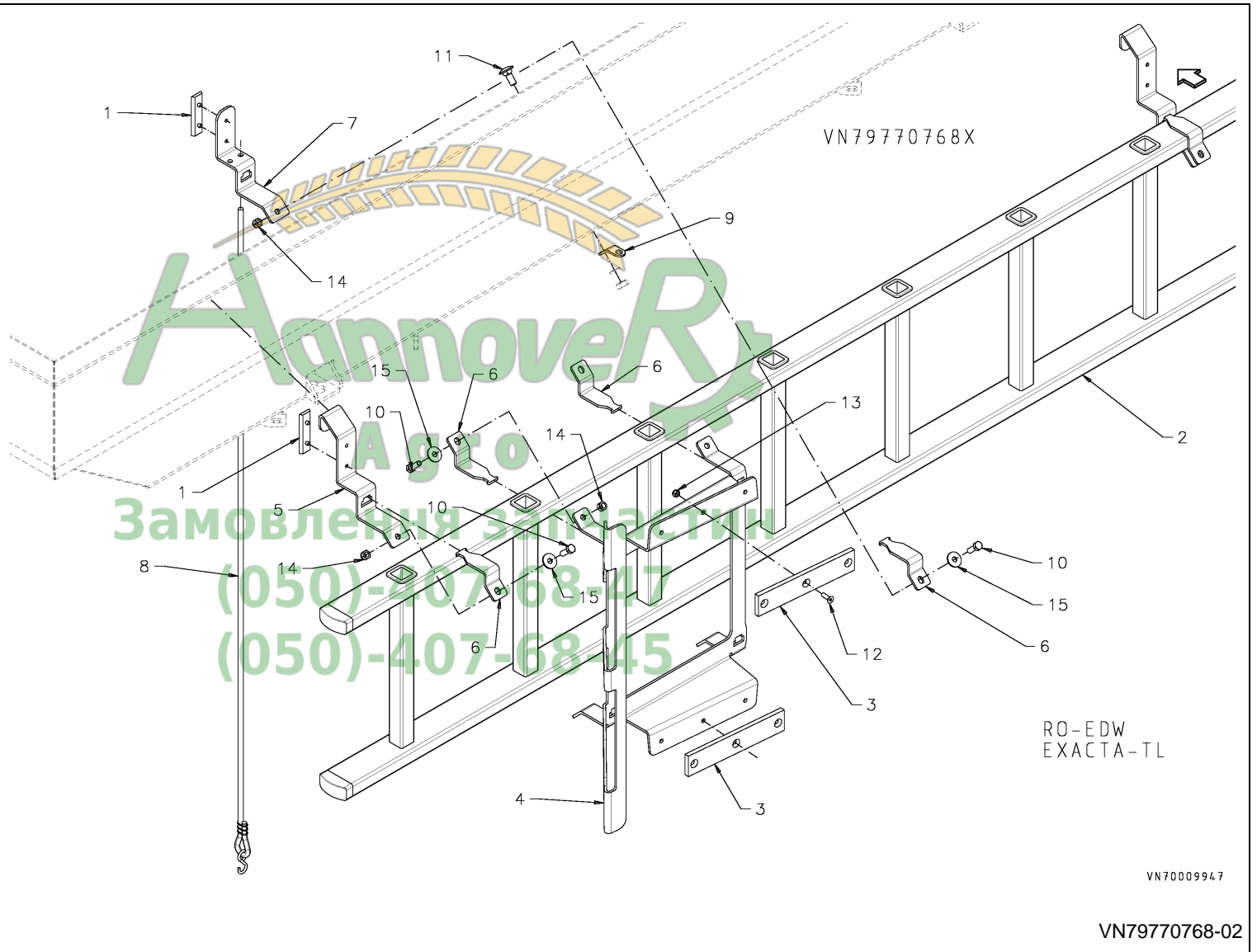


ROEDW_VN20801_M04

RO-EDW / LADDERSET



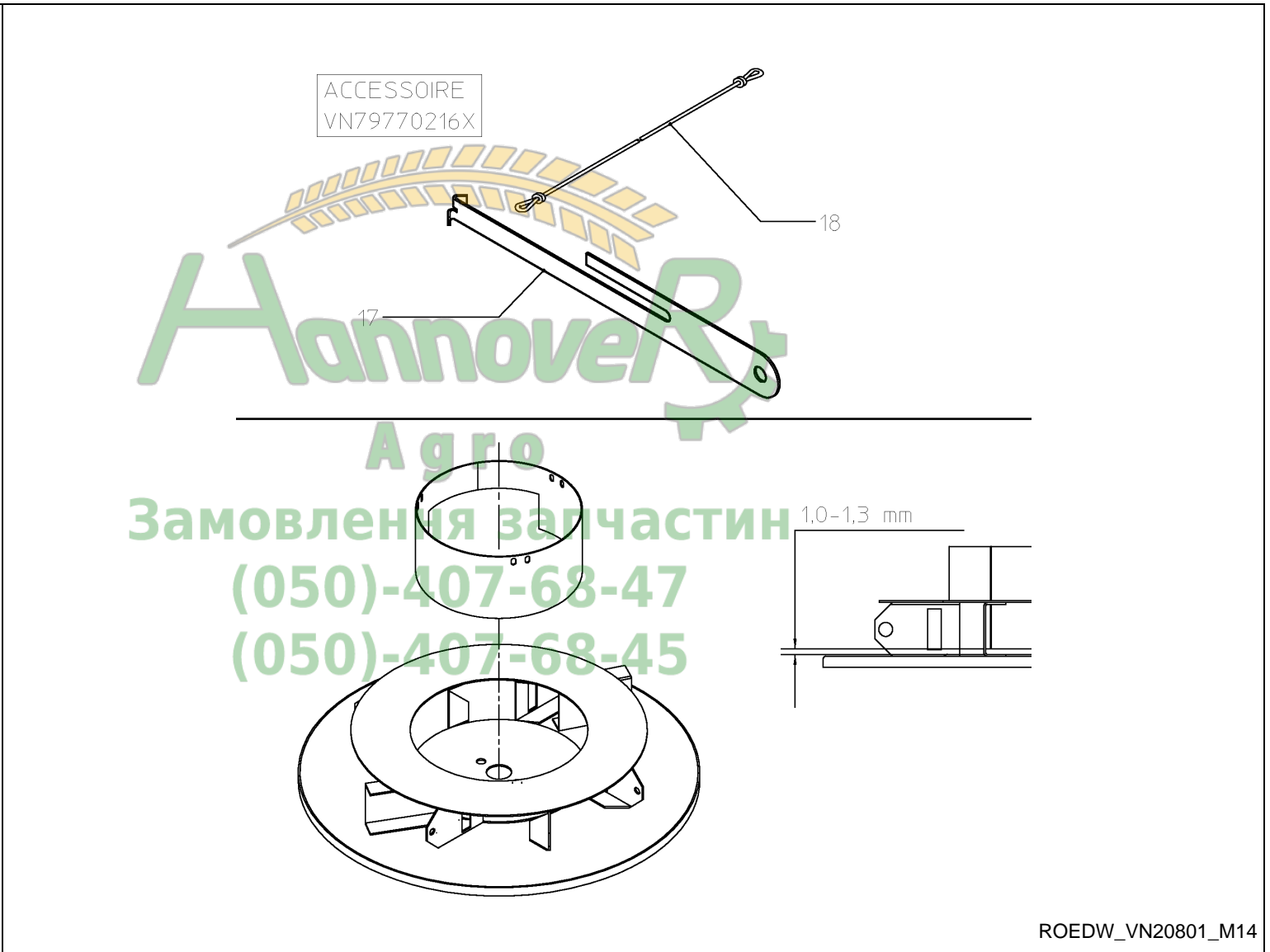
PosNo.	Part No.	Qty.
1	VNB0810878	3
2	VNB4442278	1
3	VNB4450578	2
4	VNB4451194	1
5	VNB4451294	2
6	VNB4451394	7
7	VNB4451494	1
8	VNB4451978	1
9	VNB4473502	1
10	KG00497100	7
11	KG00654400	1
12	KG00870200	6
13	KG01069800	6
14	KG01069900	7
15	KG01901400	7



RO-EDW / FEELER GAUGE



PosNo.	Part No.	Qty.
17	VNB1709302	1
18	VNB1754278	1

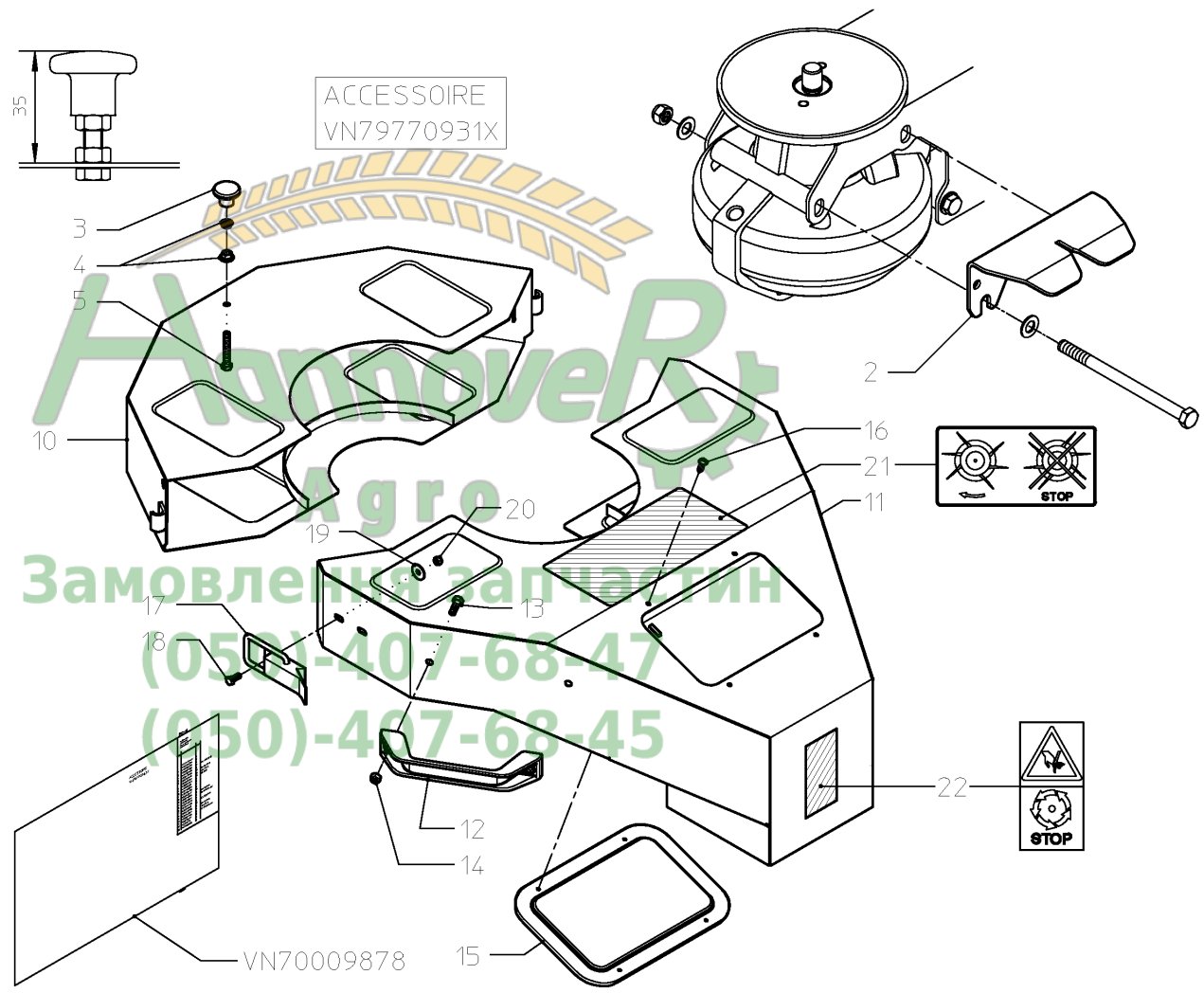


ROEDW_VN20801_M14

RO-EDW / CALIBRATION CONTAINER



PosNo.	Part No.	Qty.
2	VNB4332994	1
3	VNB4334578	1
4	KG01059600	2
5	KG00495300	1
10	VNB4332194	1
11	VNB4332094	1
12	RG00040217	2
13	KG00495100	4
14	KG01069800	4
15	VNB2760978	1
16	KG00747600	4
17	VNB1100802	2
18	KG00493700	4
19	KG01901200	4
20	KG01069700	4
21	VNB3708174	1
22	VGTR2023	1

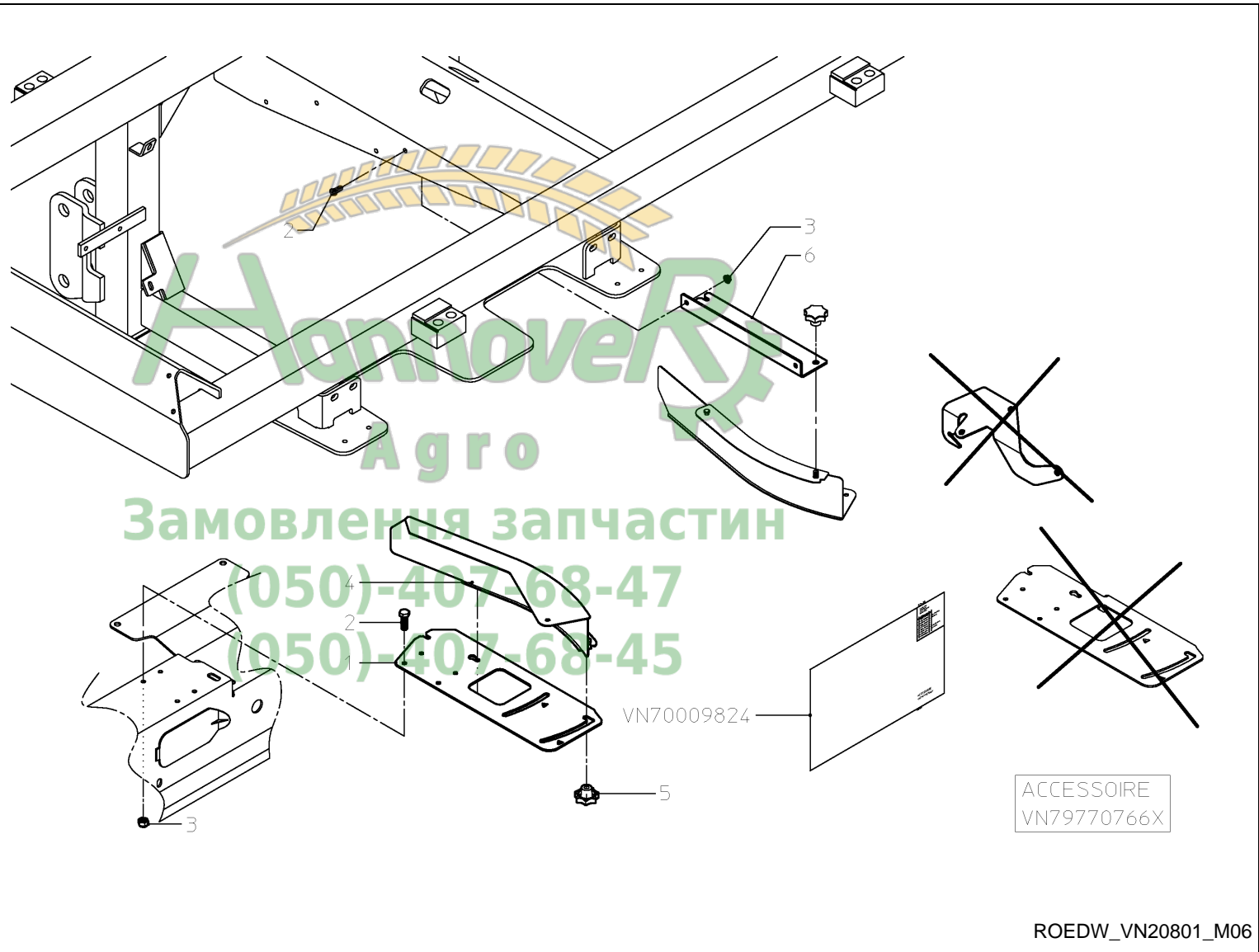


ROEDW_VN20801_M05

RO-EDW / BOUNDARY SPREADING PLATE



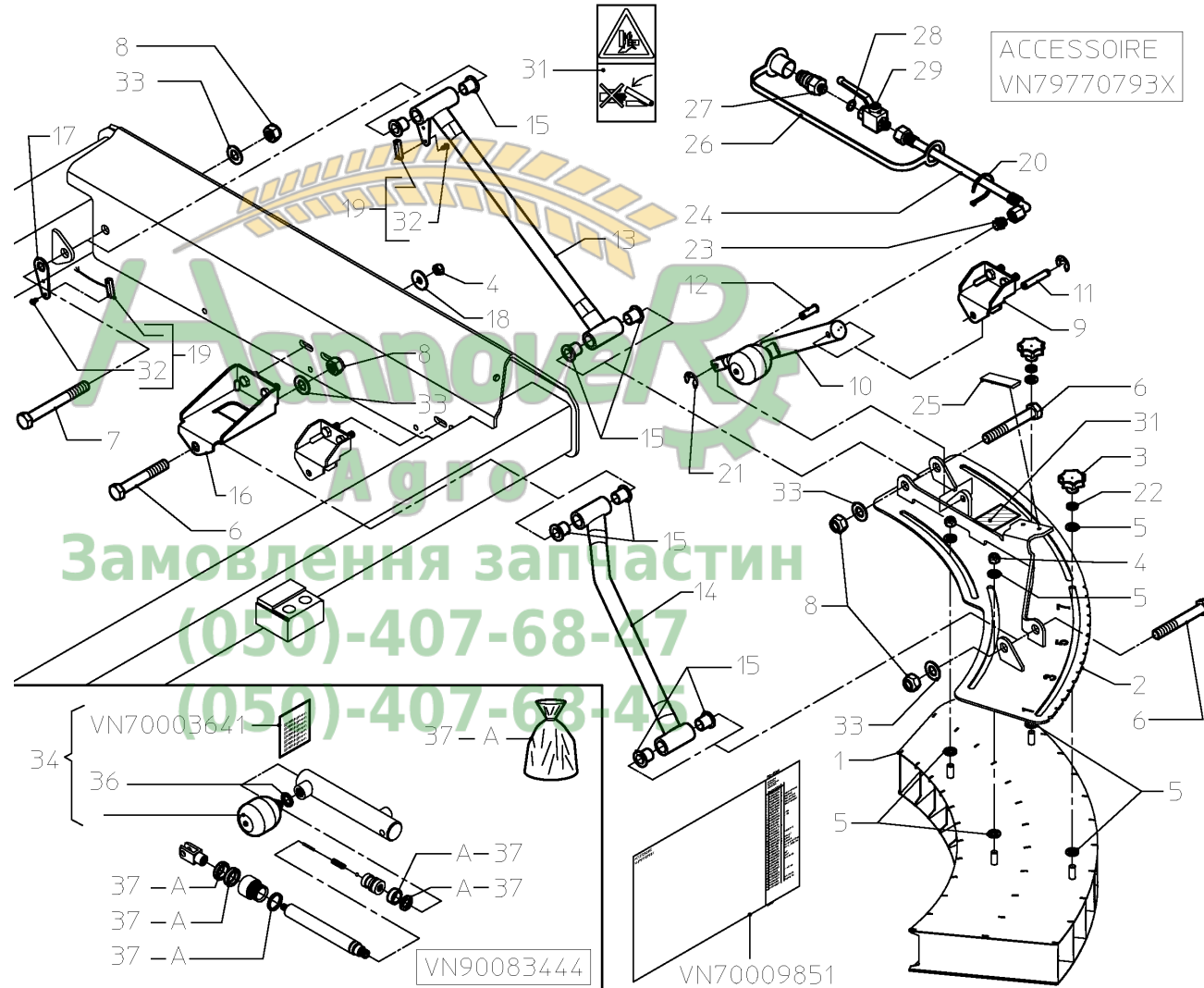
PosNo.	Part No.	Qty.
1	VNB3428494	1
2	KG00496900	6
3	KG01059700	6
4	VNB3428094	1
5	VN17856588	1
6	VNB4190994	1



RO-EDW / TRIMFLOW



PosNo.	Part No.	Qty.
1	VNB4580502	1
2	VNB4570494	1
3	VN17856588	2
4	KG01070000	6
5	KG01264000	8
6	KG00402500	3
7	KG00402800	1
8	KG01070300	4
9	VNB4191793	1
10	VN90083444	1
11	VNB3507502	1
12	VNB1843002	1
13	VNB4191094	1
14	VNB4191494	1
15	VNB3281778	8
16	VNB4194693	1
17	VNB4192002	1
18	KG01901500	4
19	VNB0450173	1
20	VN80504003	5
21	VN30116090	3
22	VN30117100	2
23	VNB4297902	1
24	VNB4297478	1
25	VNB0810878	1
26	VN38854581	1
27	RG00048610	1
28	VN31419900	1
29	VN90007711	1
31	VGTR2059	1
32	KG00746800	4
33	KG01264300	4
34	VN79750037	1
36	VN31419016	1
37	VN79750027	1

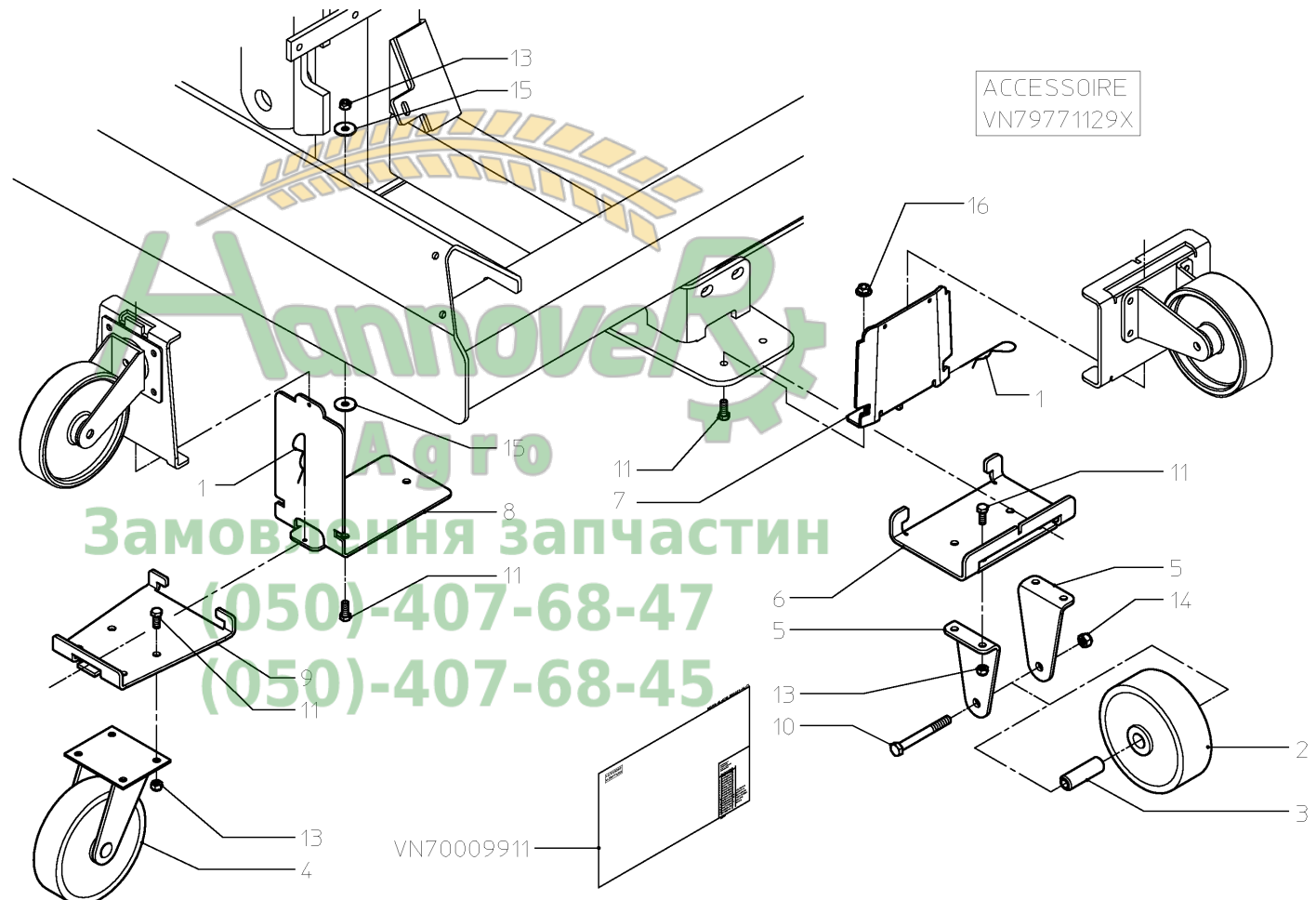


ROEDW_VN20801_M07

RO-EDW / WHEELSET



PosNo.	Part No.	Qty.
1	VNB0765393	4
2	VNB1380878	2
3	VNB1402486	2
4	VNB1907978	2
5	VNB3770294	4
6	VNB3843994	2
7	VNB4376594	2
8	VNB3876594	2
9	VNB3876694	2
10	KG00397100	2
11	KG00496900	26
13	KG01069900	22
14	KG01070000	2
15	KG01901400	12
16	KG01059700	4

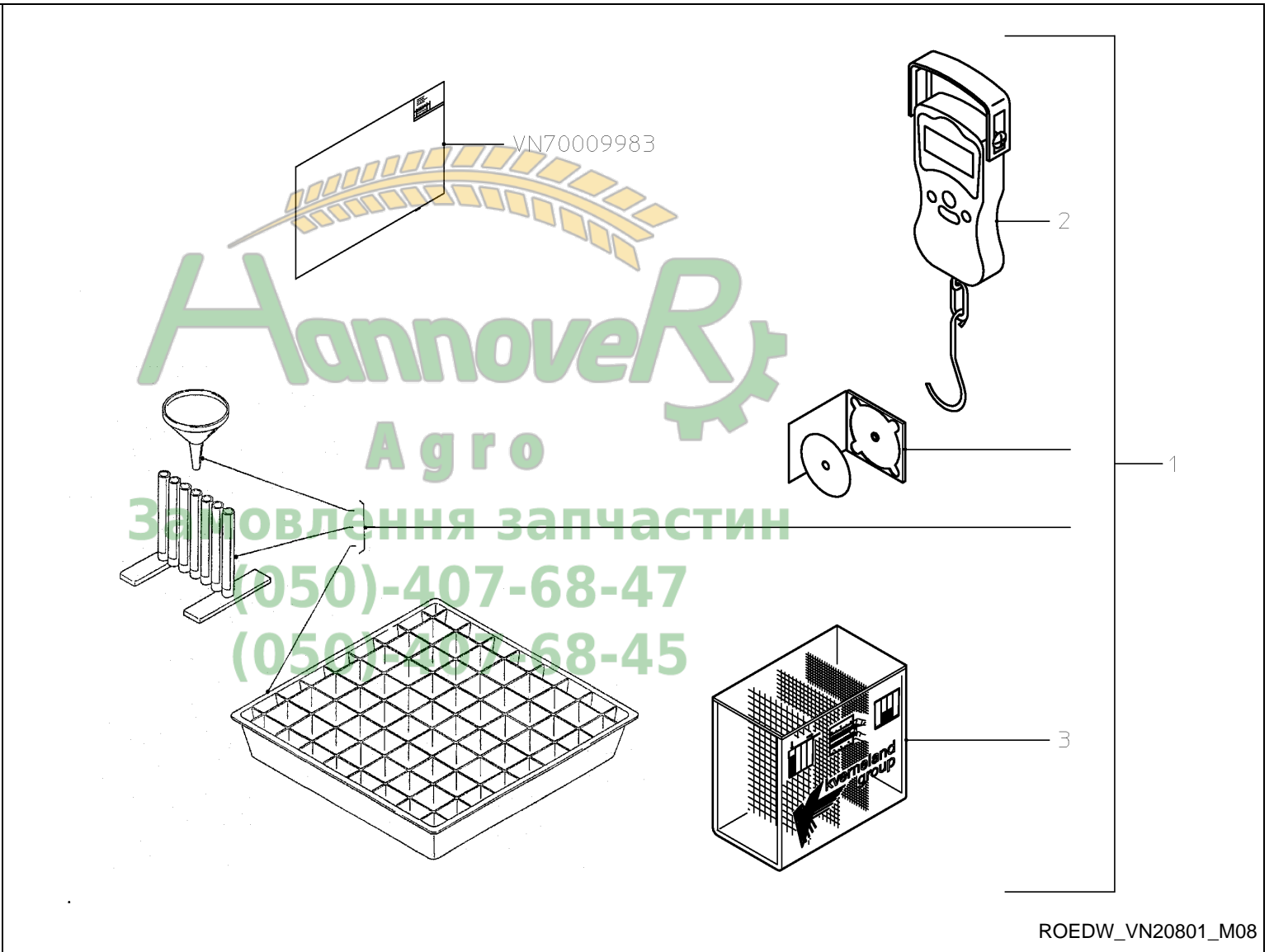


ROEDW_VN20801_M03

RO-EDW / SPREADING PATTERN CONTROLSET



PosNo.	Part No.	Qty.
1	VN79771400	1
2	AC353924	1
3	VN79771219	1

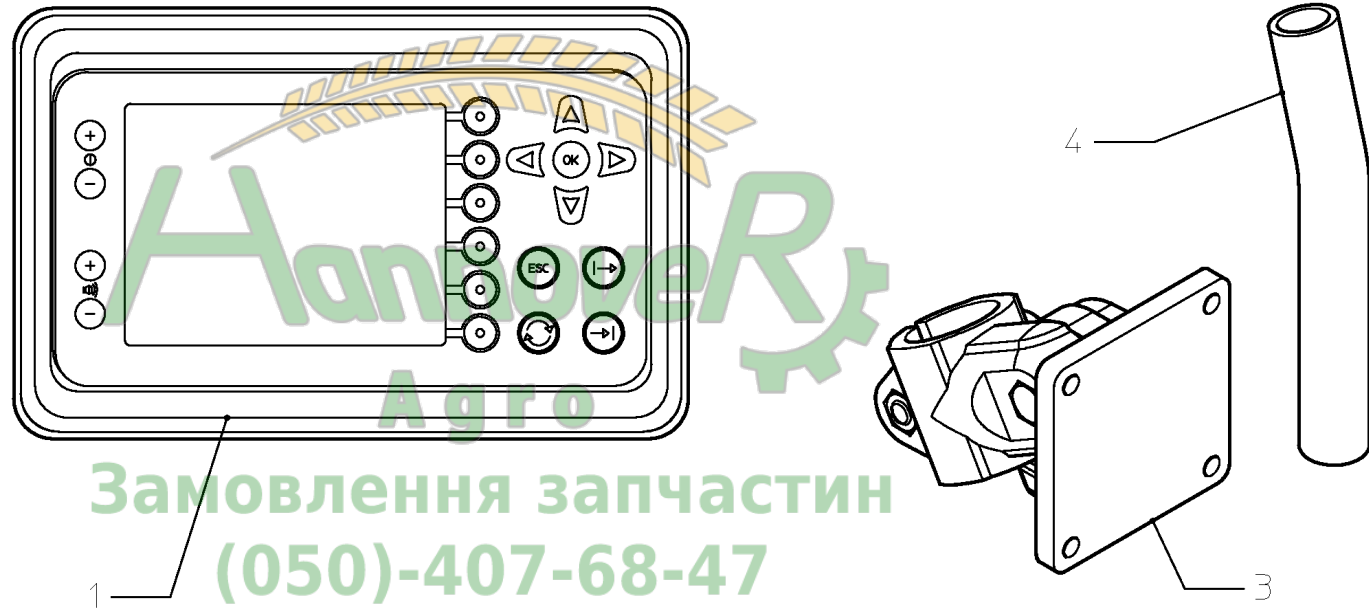


ROEDW_VN20801_M08

RO-EDW / CONTROL BOX FOCUS



PosNo.	Part No.	Qty.
1	VN79730439	1
3	VNB0548173	1
4	VNB3872902	1



Замовлення запчастин
 (050)-407-68-47
 (050)-407-68-45

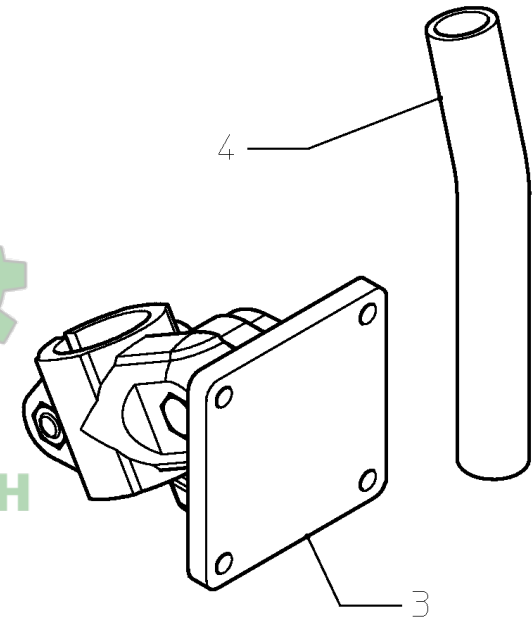
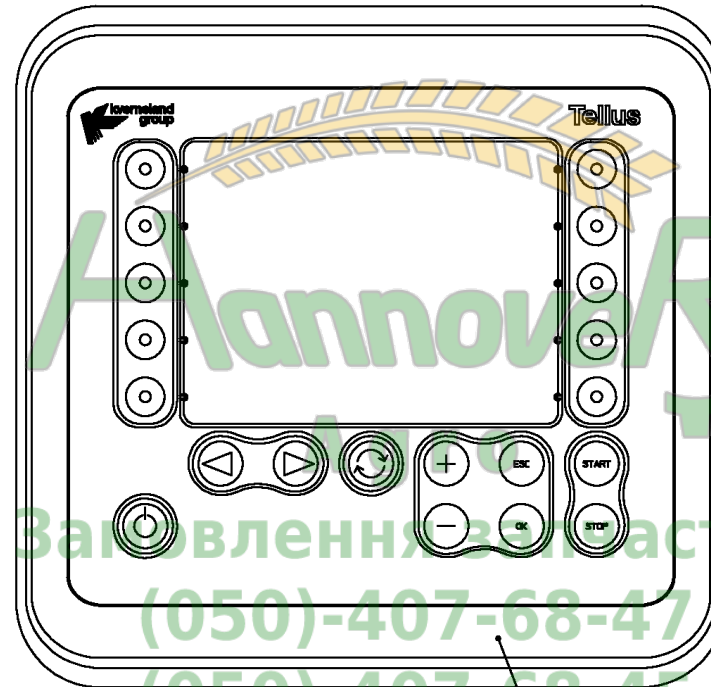
Focus II

ACCESSOIRE

RO-EDW / CONTROL BOX TELLUS



PosNo.	Part No.	Qty.
2	VN79730309	1
3	VNB0548173	1
4	VNB3872902	1



Tellus

ACCESSOIRE

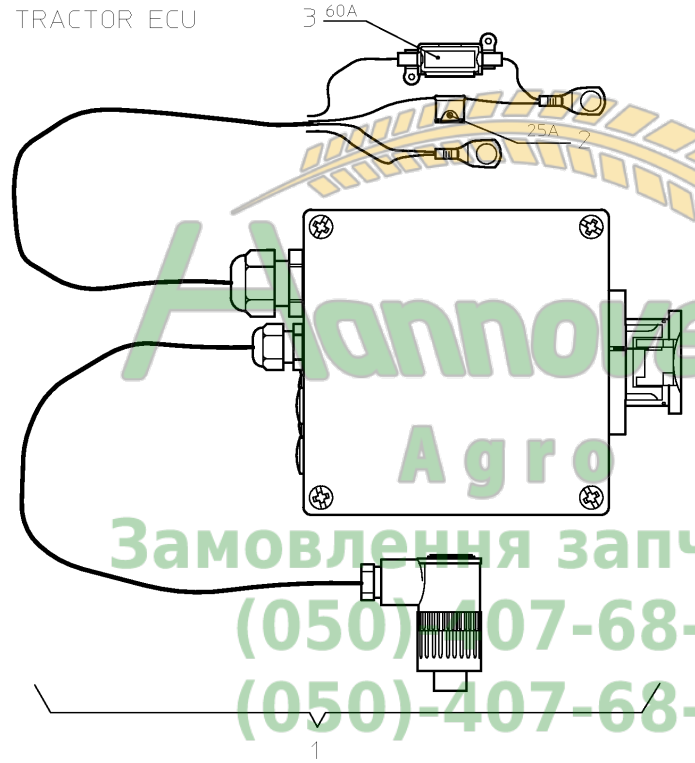
ROEDW_VN20801_M15

RO-EDW / CABLES



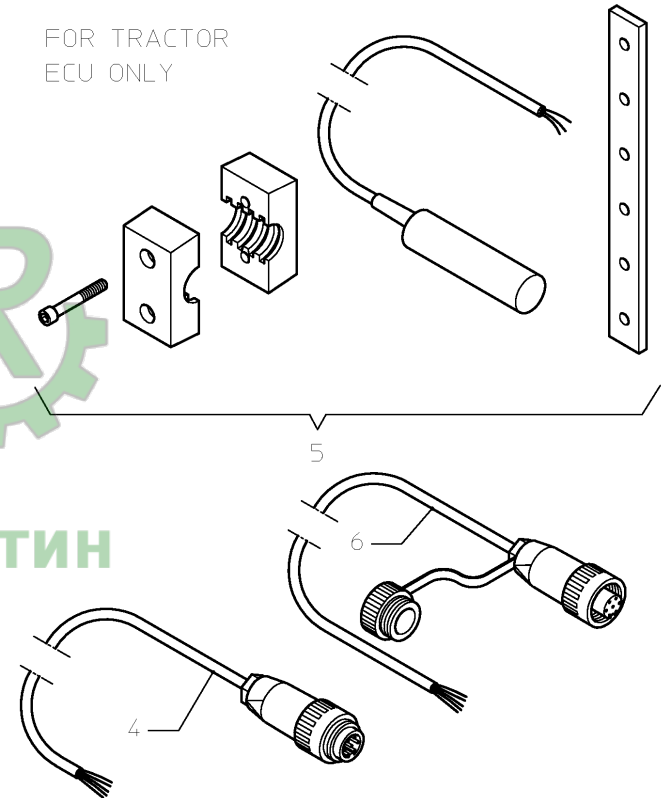
PosNo.	Part No.	Qty.
1	VN79730385	1
2	VNB0064273	1
3	VNB0162473	1
4	VNB0255673	1
5	VNB0553973	1
6	VNB0266773	1

TRACTOR ECU



ACCESSOIRE

FOR TRACTOR ECU ONLY



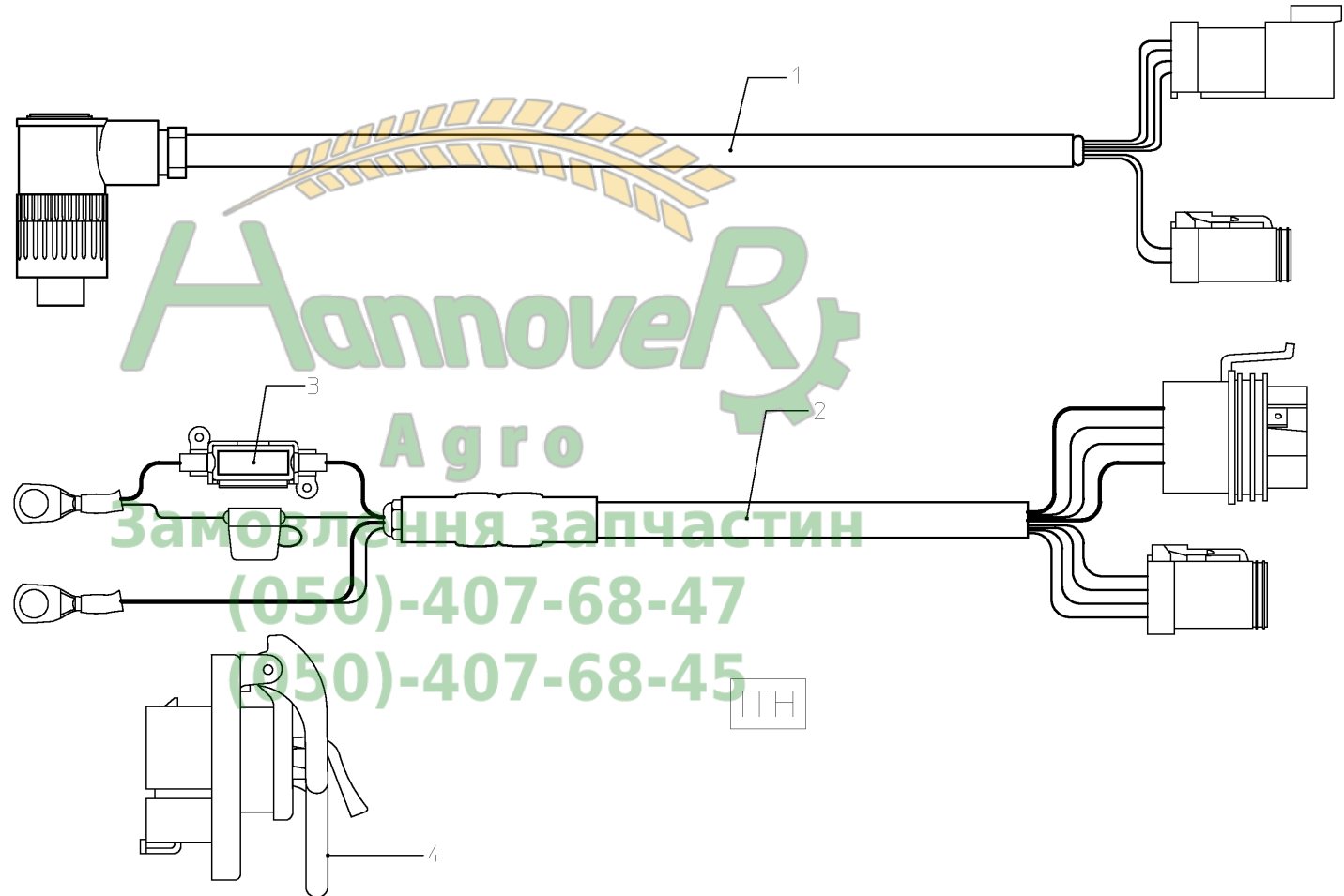
ACCESSOIRE

Аннотация
 Агро
 Замовлення запчастин
 (050) 407-68-47
 (050) 407-68-45

ROEDW_VN20801_M12

RO-EDW / CABLES

PosNo.	Part No.	Qty.
1	MT00000645	1
2	MT00000646	1
3	VNB0162473	1
4	MT00000500	1

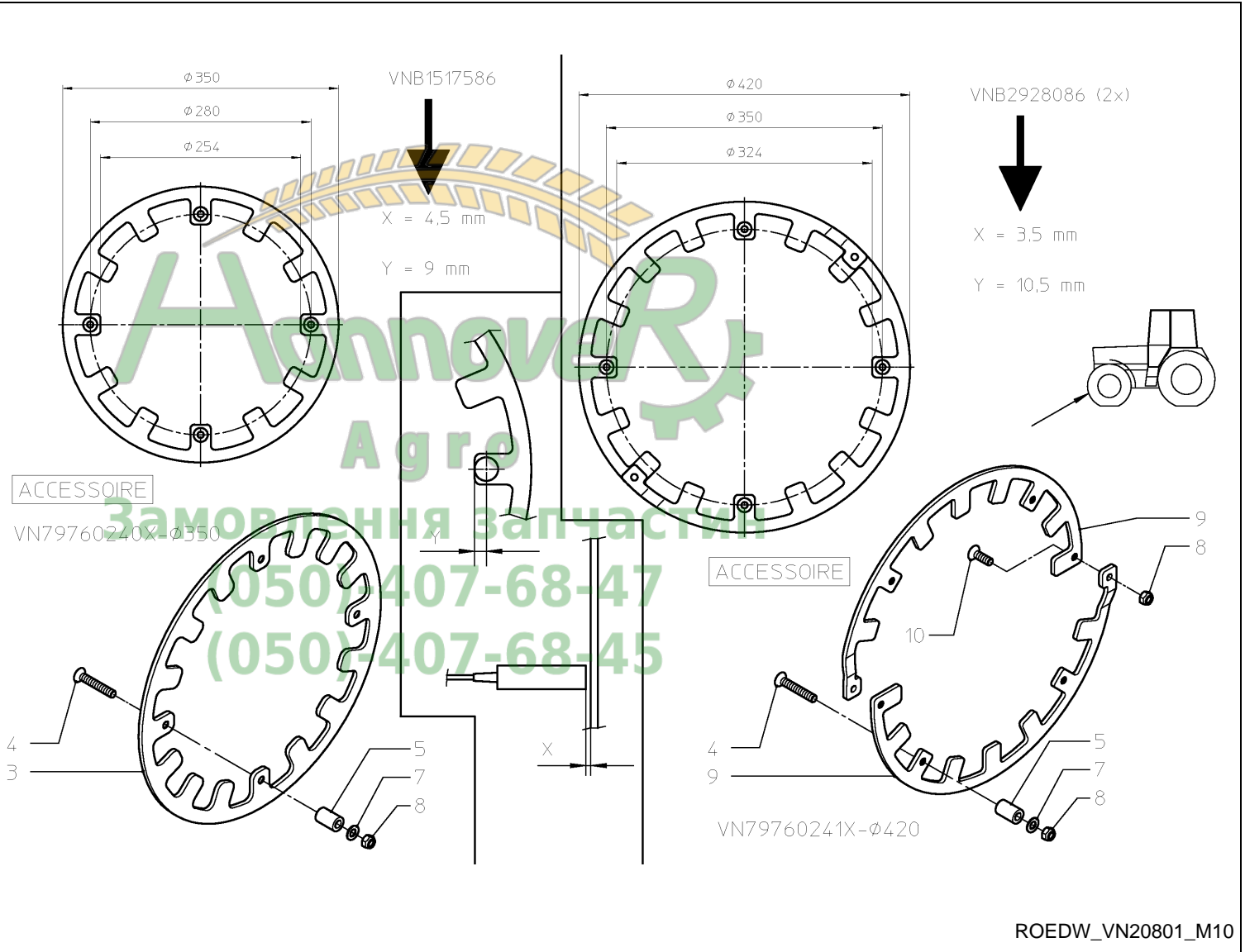


ROEDW_VN20801_M13

RO-EDW / WHEELRINGS



PosNo.	Part No.	Qty.
3	VNB1517586	1
4	KG00872200	4
5	VNB1153493	4
7	KG01263900	4
8	KG01069900	4
9	VNB2928086	2
10	KG00871700	2



RO-EDW / SENSORS AND CABLES

PosNo.	Part No.	Qty.
11	VNB0304073	1
12	VNB0326573	1
15	VNB0430273	1



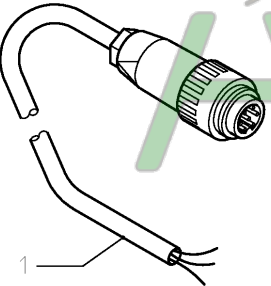
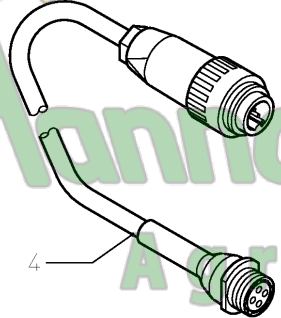
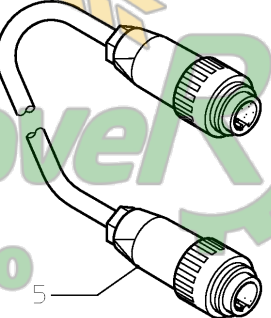
Hannover
 Agro
 Заповнення запчастин
 (050)-407-68-47
 (050)-407-68-45

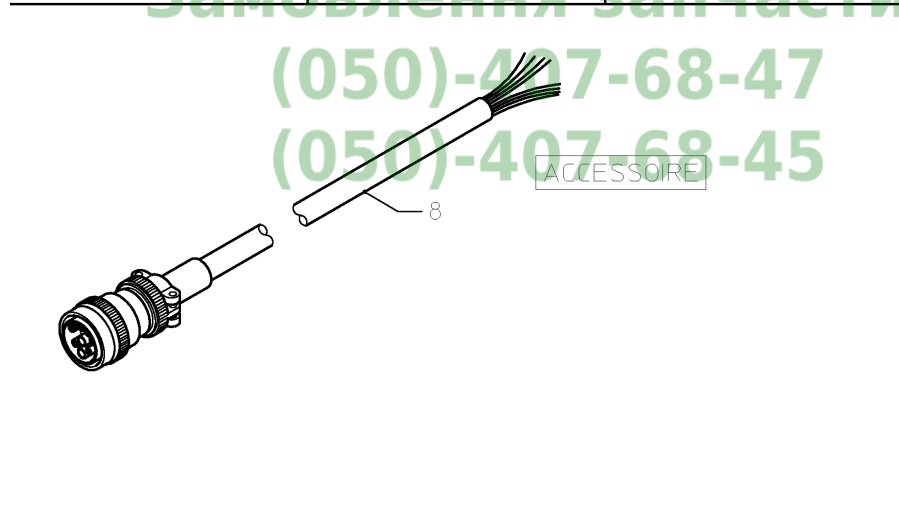
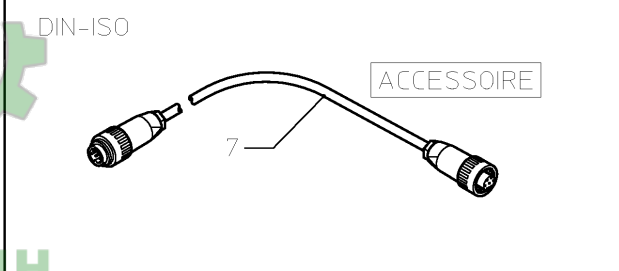
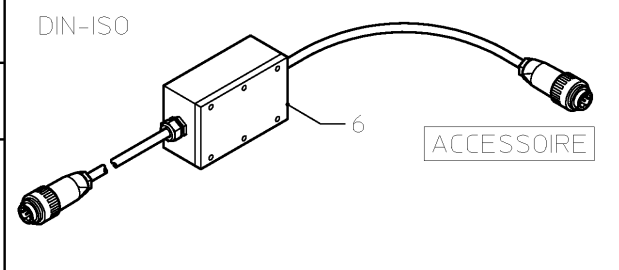
RO-EDW / RADARCABLES



PosNo.	Part No.	Qty.
1	VNB0303973	1
4	VNB0305973	1
5	VNB0386773	1
6	VNB0540173	1
7	VNB0391073	1
8	VNB0253473	1

CABLE FOR RADAR SENSOR TRACTOR

SELF-MADE	DICKEY JOHN	DIN-ISO
<p>ACCESSOIRE</p>  <p>1</p>	<p>ACCESSOIRE</p>  <p>4</p>	<p>ACCESSOIRE</p>  <p>5</p>



Замовлення запчастин
 (050)-407-68-47
 (050)-407-68-45

ROEDW_VN20801_M11

RO-EDW / Part No Index



Part No.	Page	Pos No	Part No.	Page	Pos No	Part No.	Page	Pos No	Part No.	Page	Pos No
	7	39	KG00501000	1	6	KG00870200	8	50	KG01069900	6	3
*	14	2	KG00501000	2	16	KG00870200	24	12	KG01069900	7	14
*	14	3	KG00501200	1	10	KG00871700	35	10	KG01069900	9	12
AC353924	30	2	KG00562400	8	25	KG00872200	35	4	KG01069900	10	4
KG00397100	29	10	KG00565700	9	11	KG00945900	8	44	KG01069900	11	4
KG00399400	7	19	KG00566500	20	3	KG01044900	8	14	KG01069900	20	5
KG00399800	7	7	KG00652900	21	4	KG01053400	6	8	KG01069900	21	7
KG00402500	28	6	KG00652900	22	4	KG01053500	11	15	KG01069900	22	7
KG00402800	28	7	KG00654300	3	10	KG01053500	21	6	KG01069900	24	14
KG00433200	10	1	KG00654400	24	11	KG01053500	22	6	KG01069900	29	13
KG00493700	26	18	KG00679900	23	2	KG01053700	21	1	KG01069900	35	8
KG00494900	2	14	KG00712600	21	9	KG01053700	22	1	KG01070000	4	7
KG00495100	26	13	KG00712600	22	9	KG01053800	3	9	KG01070000	5	7
KG00495200	1	18	KG00714100	6	13	KG01053800	8	13	KG01070000	8	35
KG00495300	26	5	KG00738100	8	2	KG01059600	2	15	KG01070000	28	4
KG00496800	11	17	KG00738100	21	3	KG01059600	26	4	KG01070000	29	14
KG00496900	27	2	KG00738100	22	3	KG01059700	27	3	KG01070100	1	7
KG00496900	29	11	KG00738100	23	12	KG01059700	29	16	KG01070100	2	18
KG00497100	1	14	KG00738300	23	6	KG01069600	21	30	KG01070100	7	4
KG00497100	2	2	KG00739400	2	5	KG01069600	22	30	KG01070300	28	8
KG00497100	4	17	KG00739400	3	5	KG01069700	26	20	KG01107862	8	24
KG00497100	5	17	KG00739400	6	6	KG01069800	1	11	KG01192062	14	24
KG00497100	24	10	KG00739600	7	9	KG01069800	4	23	KG01263600	21	28
KG00497200	21	27	KG00739600	21	5	KG01069800	5	23	KG01263600	22	28
KG00497200	22	27	KG00739600	22	5	KG01069800	8	10	KG01263600	23	3
KG00497600	10	3	KG00746800	28	32	KG01069800	23	10	KG01263900	3	6
KG00497600	21	26	KG00747600	4	13	KG01069800	24	13	KG01263900	6	14
KG00497600	22	26	KG00747600	5	13	KG01069800	26	14	KG01263900	7	13
KG00498700	4	5	KG00747600	8	38	KG01069900	1	16	KG01263900	20	4
KG00498700	5	5	KG00747600	26	16	KG01069900	2	4	KG01263900	21	2
KG00498700	8	9	KG00870000	4	22	KG01069900	3	7	KG01263900	22	2
KG00498800	9	6	KG00870000	5	22	KG01069900	4	20	KG01263900	35	7
KG00499500	8	11	KG00870000	8	27	KG01069900	5	20	KG01264000	4	6

RO-EDW / Part No Index



Part No.	Page	Pos No	Part No.	Page	Pos No	Part No.	Page	Pos No	Part No.	Page	Pos No
KG01264000	5	6	RG00040217	22	21	VN30130800	9	16	VNB0255673	33	4
KG01264000	23	9	RG00040217	26	12	VN31419016	28	36	VNB0266773	33	6
KG01264000	28	5	RG00048610	28	27	VN31419900	28	28	VNB0303973	37	1
KG01264100	2	17	RG00050664	7	40	VN31903304	11	23	VNB0304073	36	11
KG01264100	7	2	VG10.01.00	14	21	VN36107317	8	42	VNB0305973	37	4
KG01264300	28	33	VG10.48.00	14	23	VN36112005	8	19	VNB0326573	36	12
KG01283000	6	7	VG10.49.00	14	27	VN36112032	9	15	VNB0341273	6	12
KG01283000	8	40	VG10.83.40	14	11	VN38854581	28	26	VNB0386773	37	5
KG01283300	9	17	VG365305	14	53	VN46120092	14	1	VNB0391073	37	7
KG01421400	8	21	VG56.117.19	14	13	VN48101007	6	15	VNB0430273	36	15
KG01901200	26	19	VG75.02.15	14	25	VN48523001	6	5	VNB0446473	11	24
KG01901300	1	19	VG75.06.15	14	26	VN48523002	6	4	VNB0450173	28	19
KG01901300	23	14	VG82.36.03	14	55	VN79730309	32	2	VNB0489473	11	21
KG01901400	1	15	VG83.09.01	14	51	VN79730385	33	1	VNB0522373	10	13
KG01901400	2	3	VG83.10.03	14	54	VN79730439	31	1	VNB0540173	37	6
KG01901400	4	18	VG85.004	14	5	VN79730444	12	1	VNB0547873	11	2
KG01901400	5	18	VG85.005	14	4	VN79750027	28	37	VNB0548173	31	3
KG01901400	21	10	VG85.05.06	14	52	VN79750037	28	34	VNB0548173	32	3
KG01901400	22	10	VGAGRASET173	14	12	VN79771219	9	28	VNB0553973	33	5
KG01901400	24	15	VGAGRASET207	14	90	VN79771219	30	3	VNB0554173	11	25
KG01901400	29	15	VGND98026V	14	22	VN79771400	30	1	VNB0563673	11	1
KG01901500	4	15	VGTR2023	26	22	VN80504001	6	11	VNB0566173	11	27
KG01901500	5	15	VGTR2059	28	31	VN80504001	10	12	VNB0578473	11	20
KG01901500	8	36	VN17856588	27	5	VN80504001	11	18	VNB0682993	7	21
KG01901500	21	8	VN17856588	28	3	VN80504003	6	10	VNB0765193	1	13
KG01901500	22	8	VN30105400	23	4	VN80504003	28	20	VNB0765393	29	1
KG01901500	28	18	VN30116090	8	46	VN90007711	28	29	VNB0810878	24	1
KG01901600	1	9	VN30116090	28	21	VN90083444	28	10	VNB0810878	28	25
MT00000500	34	4	VN30117100	3	8	VNB0064273	33	2	VNB0870178	1	4
MT00000532	11	22	VN30117100	8	12	VNB0066573	12	3	VNB0897393	1	3
MT00000645	34	1	VN30117100	28	22	VNB0162473	33	3	VNB1060002	9	14
MT00000646	34	2	VN30117600	11	14	VNB0162473	34	3	VNB1082102	9	13
RG00040217	21	21	VN30130800	8	43	VNB0253473	37	8	VNB1100802	26	17

RO-EDW / Part No Index



Part No.	Page	Pos No	Part No.	Page	Pos No	Part No.	Page	Pos No	Part No.	Page	Pos No
VNB1153493	35	5	VNB3281778	28	15	VNB3620578	6	16	VNB4053074	15	1
VNB1181374	9	4	VNB3317278	8	1	VNB3707494	21	31	VNB4053474	18	6
VNB1181374	15	11	VNB3317378	8	41	VNB3708094	21	18	VNB4053474	19	6
VNB1194874	9	2	VNB3322594	8	33	VNB3708094	22	18	VNB4059402	8	31
VNB1194874	15	10	VNB3358794	1	5	VNB3708174	26	21	VNB4060978	8	20
VNB1380878	29	2	VNB3388365	9	5	VNB3717802	9	10	VNB4061702	8	3
VNB1402486	29	3	VNB3388402	9	7	VNB3770294	29	5	VNB4061978	8	32
VNB1517586	35	3	VNB3414002	9	1	VNB3843994	29	6	VNB4063078	8	48
VNB1599786	1	2	VNB3414102	9	3	VNB3872902	31	4	VNB4063178	8	49
VNB1599986	1	12	VNB3428094	27	4	VNB3872902	32	4	VNB4064878	7	5
VNB1709302	25	17	VNB3428494	27	1	VNB3876594	29	8	VNB4064978	7	6
VNB1754278	25	18	VNB3443478	21	12	VNB3876694	29	9	VNB4070073	10	2
VNB1843002	8	45	VNB3443478	22	12	VNB3910902	7	41	VNB4073178	8	8
VNB1843002	28	12	VNB3444974	15	7	VNB3957302	8	6	VNB4077378	8	39
VNB1907978	29	4	VNB3447178	21	29	VNB3957402	8	7	VNB4077502	9	8
VNB2003102	1	17	VNB3447178	22	29	VNB3957502	8	26	VNB4077602	9	9
VNB2003294	1	21	VNB3452378	6	20	VNB3958278	8	34	VNB4079778	21	32
VNB2003302	1	20	VNB3452478	6	19	VNB3967598	8	16	VNB4105274	15	2
VNB2068778	4	11	VNB3507502	28	11	VNB3967698	8	17	VNB4105474	15	8
VNB2068778	5	11	VNB3550678	7	23	VNB3969702	8	4	VNB4105774	15	12
VNB2092402	21	11	VNB3559902	8	28	VNB3969802	8	5	VNB4190102	3	2
VNB2092402	22	11	VNB3588378	7	25	VNB3970002	8	37	VNB4190502	10	11
VNB2235978	11	26	VNB3588478	7	26	VNB3984186	18	3	VNB4190602	10	7
VNB2332694	1	8	VNB3602694	21	13	VNB3984186	19	3	VNB4190702	10	6
VNB2336686	10	5	VNB3602694	22	13	VNB4014778	18	5	VNB4190994	27	6
VNB2417578	7	11	VNB3602794	21	14	VNB4014778	19	5	VNB4191094	28	13
VNB2417602	7	12	VNB3602794	22	14	VNB4014802	18	1	VNB4191494	28	14
VNB2426674	2	13	VNB3603194	21	15	VNB4014902	18	2	VNB4191793	28	9
VNB2760978	4	12	VNB3603194	22	15	VNB4014902	19	2	VNB4192002	28	17
VNB2760978	5	12	VNB3603394	21	17	VNB4023502	8	23	VNB4194693	28	16
VNB2760978	26	15	VNB3603394	22	17	VNB4042498	8	29	VNB4218178	18	4
VNB2822600	15	18	VNB3603594	21	19	VNB4042598	8	30	VNB4218178	19	4
VNB2928086	35	9	VNB3603594	22	19	VNB4042702	8	15	VNB4225402	8	22



RO-EDW / Part No Index

Part No.	Page	Pos No	Part No.	Page	Pos No	Part No.	Page	Pos No
VNB4239702	8	18	VNB4319078	5	14	VNB4451002	23	8
VNB4253078	2	21	VNB4328202	19	1	VNB4451194	24	4
VNB4255678	6	9	VNB4332094	26	11	VNB4451294	24	5
VNB4256202	11	16	VNB4332194	26	10	VNB4451394	24	6
VNB4261794	4	1	VNB4332994	26	2	VNB4451494	24	7
VNB4270602	4	19	VNB4334578	23	11	VNB4451978	24	8
VNB4270602	5	19	VNB4334578	26	3	VNB4466478	7	22
VNB4277786	4	2	VNB4341978	7	18	VNB4466678	7	38
VNB4277786	5	2	VNB4344486	2	1	VNB4473502	24	9
VNB4277994	4	3	VNB4347693	7	10	VNB4487278	21	20
VNB4277994	5	3	VNB4347993	7	15	VNB4487278	22	20
VNB4278094	4	4	VNB4348193	7	17	VNB4493474	15	4
VNB4278094	5	4	VNB4348393	7	16	VNB4512294	20	1
VNB4281086	1	1	VNB4348493	7	36	VNB4512386	20	2
VNB4281294	3	1	VNB4363594	5	1	VNB4570494	28	2
VNB4281502	2	12	VNB4366374	15	9	VNB4580502	28	1
VNB4281602	6	1	VNB4373494	22	31	VNB4627578	4	21
VNB4281702	6	2	VNB4376594	29	7	VNB4627578	5	21
VNB4281802	10	8	VNB4376974	15	5	VNB4627794	4	16
VNB4281902	10	9	VNB4377074	15	3	VNB4627794	5	16
VNB4282002	10	10	VNB4377174	15	6			
VNB4283878	22	32	VNB4377474	15	13			
VNB4297478	28	24	VNB4377474	16	16			
VNB4297902	28	23	VNB4377574	15	14			
VNB4306794	21	23	VNB4377574	16	17			
VNB4306794	22	23	VNB4381402	2	19			
VNB4306894	21	24	VNB4381502	2	20			
VNB4306894	22	24	VNB4407802	23	1			
VNB4306994	21	16	VNB4408202	23	5			
VNB4306994	22	16	VNB4408302	23	13			
VNB4309102	21	25	VNB4423502	23	7			
VNB4309102	22	25	VNB4442278	24	2			
VNB4319078	4	14	VNB4450578	24	3			

AANHAALMOMENTEN / TORQUES / ANZUGSMOMENTE / COUPLES DE SERRAGE / PARES DE APRIETE / MOMENTI DI TORSIONE / BINÁRIOS DE APERTO / TILSTRAMMINGSMOMENTER / TILSPÆNDINGSMOMENTER

NL Richtlijnen voor aanhaalmomenten (in Nm) voor zelfborgende moeren, zeskantbouten en moeren.
DE Richtlinien für Anzugsmomente (in Nm) für selbstsichernde Muttern, Sechskantschrauben und -mutter.
ES Directrices para los pares de apriete (en Nm) para las tuercas autoblocantes, los tornillos hexagonales y las tuercas.
IT Direttive per momenti di torsione (espressi in Nm) per dadi autobloccanti, bulloni esagonali e dadi.
NO Retningslinjer for tilstrammingsmomenter (i Nm) for selvlåsende muttere, sekskantbolter og muttere.

EN Guidelines for torques (in Nm) for self-locking nuts, hexagon bolts and nuts.
FR Directives pour les couples de serrage (en Nm) pour écrous à autobloquants, boulons à six pans et écrous.
PT Directrizes para os binários de aperto (em Nm) para porcas autobloqueadoras, parafusos hexagonais e porcas.
DA Retningslinier for tilspændingsmomenter (i Nm) for selvlåsende møtrikker, sekskantbolte og møtrikker.

Kwaliteit / Quality / Qualität / Qualité / Calidad / Qualidade / Qualità / Kvalitet	4.6		8.8		10.9		12.9	
	0,10	0,13	0,10	0,13	0,10	0,13	0,10	0,13
Wrijving / Friction / Reibung / Fricción / Atrito / Attrito / Friktion /Friksjon *								
Schroefdraad / Thread / Gewinde / Filetage Rosca / Filettatura / Gevind / Skruegjenge								
M5	1,7	2	5	6	7	9	8	10
M6	3	4	9	10	13	15	15	18
M8	8	9	21	25	31	36	36	42
M10	16	19	40	50	60	70	70	85
M12	27	32	70	85	105	120	120	145
M14	42	50	115	135	165	195	195	230
M16	65	76	175	210	260	300	300	350
M18	90	110	250	290	350	420	410	490
M20	125	150	350	420	500	600	580	700
M22	170	200	470	560	670	800	780	930
M24	210	250	600	710	860	1020	1000	1180

- * **NL** De wrijvingscoëfficiënt van 0,10 geldt voor geoliede plaat, gietijzer, geharde vlakken, vette schroefdraad, etc. De hogere waarde van 0,13 geldt voor een droge plaat. Uitzonderingen op deze tabel zijn vermeld in het onderdelen- en/of instructieboek. Aanhaalmomenten voor bouten en moeren met gekartelde onderkant, zoals Tensilock en Whizlock, 10% extra.
- * **EN** The friction coefficient of 0.10 applies to oiled sheet, cast iron, hardened surfaces, greasy thread, etc. The higher value of 0.13 applies to dry sheet. Exceptions to this table are stated in the parts- and /or instruction manual. Torques for bolts and nuts with a knurled underside, like Tensilock and Whizlock, 10% extra.
- * **DE** Der Reibungskoeffizient von 0,10 gilt für geölte Flächen, Gußeisen, gehärtete Flächen, gefettetes Gewinde usw. Der höhere Wert von 0,13 gilt für trockene Flächen. Ausnahmen zu dieser Tabelle sind im Ersatzteilhft und/oder in der Betriebsanleitung. Anzugsmomente für Schrauben und Muttern mit gerändelter Unterseite, wie Tensilock und Whizlock, zuzüglich 10% extra.
- * **FR** Le coefficient de frottement de 0,10 s'applique aux surfaces huilées, à la fonte, aux surfaces trempées, aux filetages graissés etc. Le coefficient de 0,13 aux surfaces sèches. Les exceptions à se tableau sont mentionnées dans la nomenclature des pièces et/ou dans le manuel d'emploi. Ajoutez 10% pour les boulons et écrous à partie inférieure crénelée, comme les Tensilock et les Whizlock.
- * **ES** El coeficiente de fricción de 0,10 es indicado para planchas lubricadas, hierro fundido, superficies endurecidas, rosca grasienta, etc. El valor más alto de 0,13 es para planchas secas. Las excepciones a este cuadro se mencionan en el libro de repuestos y/o manual de instrucciones. Los pares de apriete para tonillos y tuercas con cara inferior dentada, como los Tensilock y Whizlock, 10% extra.
- * **PT** O coeficiente de atrito de 0.10 aplica-se às superfícies olcadas, ao ferro fundodo, às superfícies temperadas, às roscas emassadas etc. O coeficiente de 0.13 às superfícies secas. As excepções a este quadro estão mencionadas na nomenclatura das peças e/ou no manual de instruções. Os binários de aperto para porcas e parafusos cujas bases sejam serradas (Tensilock, Whizlock) devem ser aumentados em 10%.
- * **IT** Il coefficiente di frizione pari a 0,10 si riferisce a superfici oliate, alla ghisa, a superfici temprate, a filettature spesse ecc. Il valore più alto, npari a 0,13, si riferisce a superfici asciutte. Tutte le eccezioni a quanto riportato in questa tabella, si trovano nel libretto dei pezzi o nel libretto delle istruzioni. I momenti torcenti per bulloni e dadi la cui parte inferiore è zigrinata, come i Tensilock (K 100) e Whizlock, sono superiori del 10%.
- * **DA** Friktionskoefficienten på 0,10 gælder for smurte flader, støbejern, hærkede overflader, fedtholdige gevind etc. Den højere værdi på 0,13 gælder for tørre flader. Undtagelser til tabellen er angivet i reservedels- og/eller instruktionsbog. Når det drejer sig om momenter for bolte og møtrikkers med en riflet underside, som Tensilock (K100) og Whizlock, skal der tilføjes 10% ekstra.
- * **NO** Friksjonskoeffisenten på 0,10 gjelder for smurt plate, støpejern, herdede flater, innfettete gjenger etc. Den høyere verdien på 0,13 gjelder for tørr plate. Unntak fra denne tabellen er angitt i deleboken og/eller i instruksjonsboken. Tiltrekkingsmomenter for skruer og mutre med riflet underkant, som Tensilock (K100) og Whizlock 10% tillegg.

VRIDMOMENT / MOMENTY OBROTOWE / UTAHOVACÍ MOMENTY / МОМЕНТ ЗАТЯГИВАНИЯ / PRIVIJALNI MOMENTI / MEGHÚZÁSI NYOMATÉKOK

SV Anvisningar för vridmoment (i Nm) för självläsande muttrar, sexkantiga bultar och muttrar.

CS Směrnice pro utahovací momenty (v Nm) pro samosvorné matice, šrouby a matice s šestihran hlavou

SL Navodila za privijalne (navorne) momente (v Nm) za matice in vijake.

PL Wytyczne dotyczące momentów obrotowych (w Nm) nakrętek samozabezpieczających, śrub z łbem sześciokątnym i nakrętek.

RU Указания для моментов затягивая (в Нм) для самоблокирующихся гаек, шестигранных болтов и гаек.

HU Előírt meghúzási nyomatékok (Nm-ben) az önzáró anyákhoz, hatlapfejű csavarokhoz és anyákhoz.

Kvalitet / Jakość / Jakost / Качество / Kvaliteta / Minőség	4.6		8.8		10.9		12.9	
Friktion / Tarcie / Třeni / Трение / Trenje / Súrúldás *	0,10	0,13	0,10	0,13	0,10	0,13	0,10	0,13
Gänga / Gwint / Závit / Резьба								
Navoj / Menet								
M5	1,7	2	5	6	7	9	8	10
M6	3	4	9	10	13	15	15	18
M8	8	9	21	25	31	36	36	42
M10	16	19	40	50	60	70	70	85
M12	27	32	70	85	105	120	120	145
M14	42	50	115	135	165	195	195	230
M16	65	76	175	210	260	300	300	350
M18	90	110	250	290	350	420	410	490
M20	125	150	350	420	500	600	580	700
M22	170	200	470	560	670	800	780	930
M24	210	250	600	710	860	1020	1000	1180

* **SV** Friktionskoefficienten 0,10 gäller oljad plåt, gjutjärn, härdade ytor, smorda gängor etc. Det högre värdet 0,13 gäller torr plåt. Undantag från denna tabell anges i reservdels- och/eller instruktionsboken. Åtdragningsmoment för räfflade bultar och muttrar, som Tensilock och Whizlock 10% extra.

* **PL** Współczynnik tarcia 0,10 dotyczy płyty oliwonej, żeliwa, powierzchni hartowanych, nasmarowanych gwintów, itp. Wyższy współczynnik 0,13 dotyczy płyty suchej. Wyjątki od niniejszej tabeli podano w katalogu części i/lub instrukcji. Momenty obrotowe zwiększają się o dodatkowe 10% w przypadku śrub i nakrętek z radełkowanym spodem, jak na przykład, Tensilock (K100) o Whizlock.

* **CS** Koeficient třeni 0.10 platí pro naolejovaný plech, litinu, kalené povrchy, namazaný závit a tak dále. Vyšší hodnota 0.13 platí pro suchý plech. Výjimky z této tabulky jsou uvedeny v seznamu náhradních dílů a/nebo v provozním návodu. Utahovací momenty pro šrouby a matice s rýhovanou spodní stranou 10% navíc, jako např. Tensilock (K100), Whizlock.

* **RU** Коэффициент трения в 0,10 относится к смазанным плитам, чугуны, затвердевшим поверхностям резьбе с нанесенной смазкой и т.д. Более высокое значение в 0,13 относится к сухим плитам. Исключения для данной таблицы указаны в брошюре с описанием рабочих деталей и/или инструкции по эксплуатации. Моменты затягивания для болтов и гаек с зазубренной стороной выше на 10% для таких как, Tensilock (k 100) и Whizlock.

* **SL** Koeficient trenja 0,10 velja za naoljene površine, litino, kovane površine, namazane navoje itd. Višja vrednost 0,13 velja za suhe površine. Izjeme v tej tabeli so v zvezku rezervnih delov ali pa v navodilu o uporabi navedene. Navornim momentom za vijake in matice z naribano spodnjo površino, kot so Tensilock (K100) in Whizlock, dodamo 10%.

* **HU** A 0,10 súrlódási tényező az olajozott lemezekre, öntöttvasra, edzett felületekre, zsírozott menetre, stb alkalmazható. A 0,13 asmagasabb érték a száraz lemezekre alkalmazható. E táblázat alól kivételt képező tételek az alkatrészeknél és/vagy a gépkönyvekben vannak felsorolva. A meghúzási nyomaték az alsó peremen bordázott csavarok és anyák esetében 10%-kal nagyobb, pl. Tensilock (K100) és Whizlock.



Замовлення запчастин

(050)-407-68-47

(050)-407-68-45



RO-EDW

01251 < Mach. ID <=

Kverneland Group Nieuw-Venep
Kverneland Group Nieuw-Venep BV
Hoofdweg 1278
2153 LR Nieuw-Venep
Netherlands
+31 252 662244
+31 252 662173



Замовлення запчастин

(050)-407-68-47

(050)-407-68-45

© Kverneland Group

All rights reserved. No parts of this book may be reproduced, stored in a database or retrieval system, or published in any form or in any way, electronically, mechanically, optically, by print, photo print, microfilm (including micro and macro fiche), or any other means, including all video and CD systems, without prior written permission from the publisher.

Print date: 2009-09-21

