

Agro
Замовлення запчастин
(050)-407-68-47
(050)-407-68-45

Spare parts manual

Article number: 70009812

Production year: 2006
Effective: 1001 ≥Mach ID
Prod. Series nr: 77405



Замовлення запчастин

(050)-407-68-47

(050)-407-68-45

AANHAALMOMENTEN/TORQUES/ANZUGSMOMENTE/COUPLES DE SERRAGE/PARES DE APRIETE/ I MOMENTI TORCENTI/ÅTRAGNINGSMOMENT/MOMENTER/ TILTREKKINGSMOMENTER

NL Richtlijnen voor aanhaalmomenten (in Nm) voor zelfborgende moeren, zeskantbouten en moeren.

D Richtlinien für Anzugsmomente (in Nm) für selbstsichernde Muttern, Sechskantschrauben und muttern.

ES Directrices para los pares de apriete (en Nm) para tuercas autoblocantes, tornillos hexagonales y tuercas.

S Riktlinjer för ådragningsmoment (i Nm) för självlåsand bultar, sexkantsbultar och muttrar.

N Retningslinjer for tiltrekkingsmomenter (i Nm) for selvlåsende mutre, sekskantskruer og mutre.

GB Directives for torques (in Nm) for self-locking nuts, hexagonal bolts and nuts.

F Directives relatives aux couples de serrage (en Nm) pour les écrous à auto-blocage, les boulons à six et les écrous.

I Linee guida riguardanti i momenti torcenti (espressi in Nm) per dadi autobloccanti, bulloni esagonali e dadi.

DK Retningslinier for momenter (i Nm) for selvlåsende møtrikker, hexagon bolte og møtrikker.

KWALITEIT/QUALITY/QUALITÄT QUALITÉ/CALIDAD/QUALITA/KVALITET	4.6		8.8		10.9		12.9	
	0,10	0,13	0,10	0,13	0,10	0,13	0,10	0,13
Wrijving/Friction/Reibung/Frottement/ Fricción/Frizione/Friktion/Friksjon *								
Schroefdraad/Thread/Gewinde/Filetage Rosca/Filettatura/Gänga/Størrelse/ Gjenger								
M5	1,7	2	5	6	7	9	8	10
M6	3	4	9	10	13	15	15	18
M8	8	9	21	25	31	36	36	42
M10	16	19	40	50	60	70	70	85
M12	27	32	70	85	105	120	120	145
M14	42	50	115	135	165	195	195	230
M16	65	76	175	210	260	300	300	350
M18	90	110	250	290	350	420	410	490
M20	125	150	350	420	500	600	580	700
M22	170	200	470	560	670	800	780	930
M24	210	250	600	710	860	1020	1000	1180

* **NL** De wrijvingscoëfficiënt van 0,10 geldt voor geoliede plaat, gietijzer, geharde vlakken, vette schroefdraad, etc. De hogere waarde van 0,13 geldt voor een droge plaat. Uitzonderingen op deze tabel zijn vermeld in het onderdelen- en/of instructieboek. Aanhaalmomenten voor bouten en moeren met gekartelde onderkant, zoals Tensilock en Whizlock, 10% extra.

* **GB** The friction coefficient of 0.10 applies to oiled sheet, cast iron, hardened surfaces, greasy thread, etc. The higher value of 0.13 applies to dry sheet. Exceptions to this table are stated in the parts- and /or instruction manual. Torques for bolts and nuts with a knurled underside, like Tensilock and Whizlock, 10% extra.

* **D** Der Reibungskoeffizient von 0,10 gilt für geölte Flächen, Gußeisen, gehärtete Flächen, gefettetes Gewinde usw. Der höhere Wert von 0,13 gilt für trockene Flächen. Ausnahmen zu dieser Tabelle sind im Ersatzteilhft und/oder in der Betriebsanleitung. Anzugsmomente für Schrauben und Muttern mit gerändelter Unterseite, wie Tensilock und Whizlock, zuzüglich 10% extra.

* **F** Le coefficient de frottement de 0,10 s'applique aux surfaces huilées, à la fonte, aux surfaces trempées, aux filetages graissés etc. Le coefficient de 0,13 aux surfaces sèches. Les exceptions à se tableau sont mentionnées dans la nomenclature des pièces et/ou dans le manuel d'emploi. Ajoutez 10% pour les boulons et écrous à partie inférieure crénelée, comme les Tensilock et les Whizlock.

* **ES** El coeficiente de fricción de 0,10 es indicado para planchas lubricadas, hierro fundido, superficies endurecidas, rosca grasienta, etc. El valor más alto de 0,13 es para planchas secas. Las excepciones a este cuadro se mencionan en el libro de repuestos y/o manual de instrucciones. Los pares de apriete para tornillos y tuercas con cara inferior dentada, como los Tensilock y Whizlock, 10% extra.

* **I** Il coefficiente di frizione pari a 0,10 si riferisce a superfici oliate, alla ghisa, a superfici temprate, a filettature spesse ecc. Il valore più alto, n pari a 0,13, si riferisce a superfici asciutte. Tutte le eccezioni a quanto riportato in questa tabella, si trovano nel libretto dei pezzi o nel libretto delle istruzioni. I momenti torcenti per bulloni e dadi la cui parte inferiore è zigrinata, come i Tensilock (K 100) e Whizlock, sono superiori del 10%.

* **S** Friktionskoefficienten 0,10 gäller oljad plåt, gjutjärn, härdade ytor, smorda gängor etc. Det högre värdet 0,13 gäller torr plåt. Undantag från denna tabell anges i reservdels- och/eller instruktionsboken. Ådragningsmoment för räfflade bultar och muttrar, som Tensilock och Whizlock 10% extra.

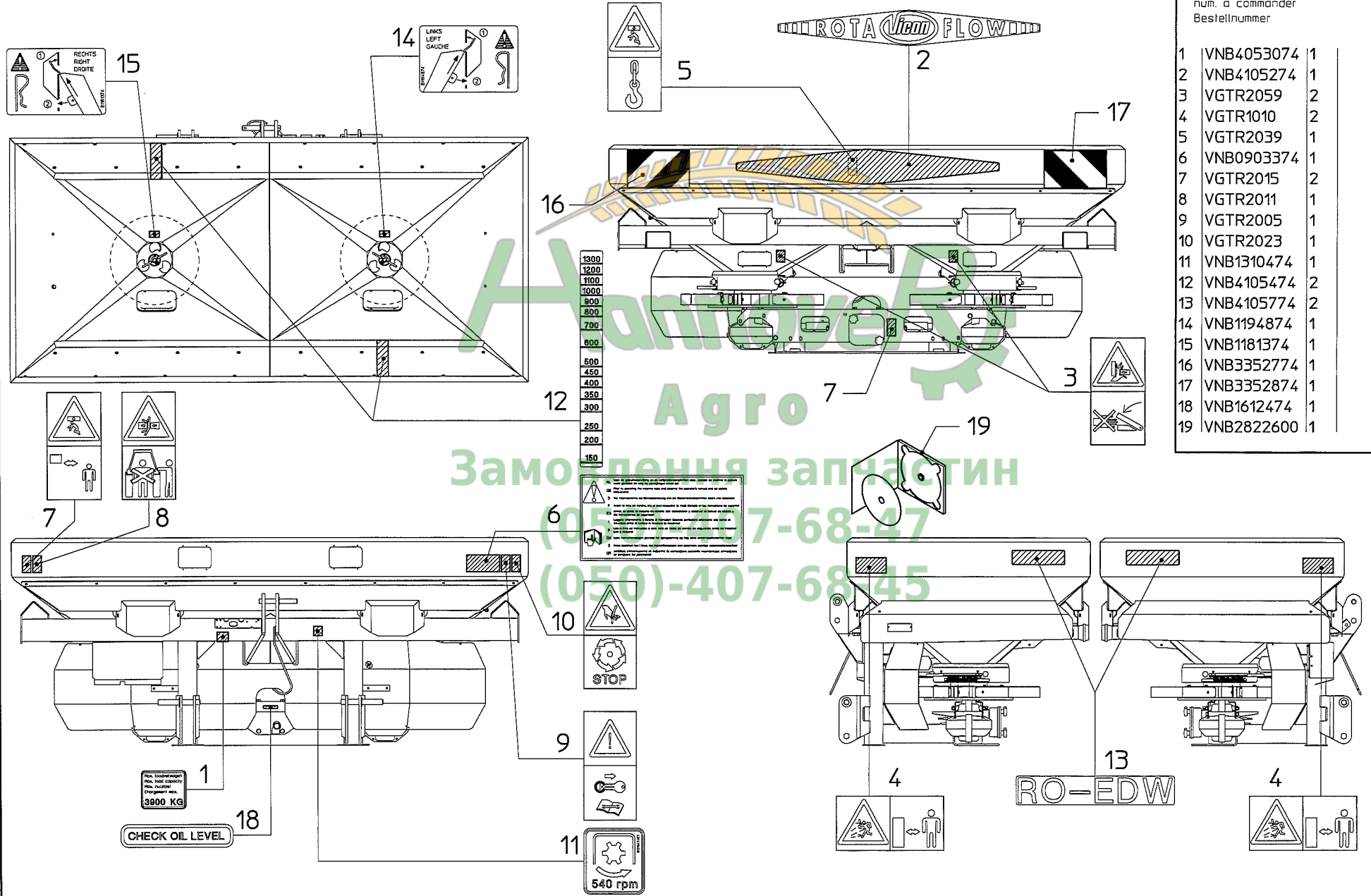
* **DK** Friktionskoefficienten på 0,10 gælder for smurte flader, støbejern, hærdede overflader, fedtholdige gevind etc. Den højere værdi på 0,13 gælder for tørre flader. Undtagelser til tabellen er angivet i reservedels- og/eller instruktionsbog. Når det drejer sig om momenter for bolte og møtrikker med en riflet underside, som Tensilock (K100) og Whizlock, skal der tilføjes 10% ekstra.

* **N** Friksjonskoeffisienten på 0,10 gjelder for smurt plate, støpejern, herdede flater, innfettete gjenger etc. Den høyere verdien på 0,13 gjelder for tørr plate. Unntak fra denne tabellen er angitt i deleboken og/eller i instruksjonsboken. Tiltrekkingsmomenter for skruer og mutre med riflet underkant, som Tensilock (K100) og Whizlock 10% tillegg.

serial number 77405

C16

RO-EDW



bestelnummer
ordernumber
num. a commander
Bestellnummer

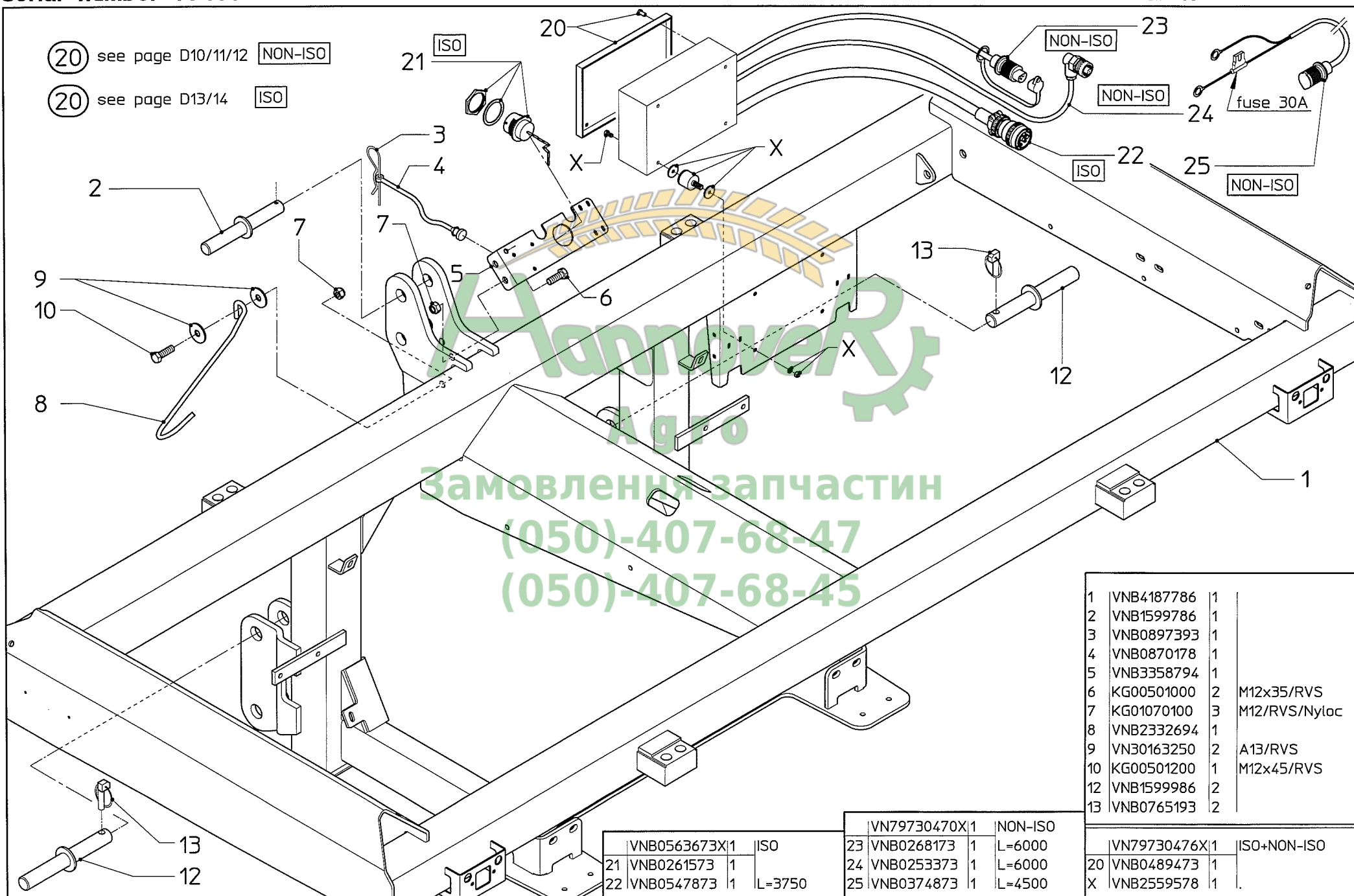
1	VNB4053074	1
2	VNB4105274	1
3	VGTR2059	2
4	VGTR1010	2
5	VGTR2039	1
6	VNB0903374	1
7	VGTR2015	2
8	VGTR2011	1
9	VGTR2005	1
10	VGTR2023	1
11	VNB1310474	1
12	VNB4105474	2
13	VNB4105774	2
14	VNB1194874	1
15	VNB1181374	1
16	VNB3352774	1
17	VNB3352874	1
18	VNB1612474	1
19	VNB2822600	1

Агро
Запчасти
(050) 407-6845
(050) 407-6845

serial number 77405

D1

RO-EDW



(20) see page D10/11/12 NON-ISO

(20) see page D13/14 ISO

Замовлення запчастин
(050)-407-68-47
(050)-407-68-45

VNB0563673X	1	ISO
21 VNB0261573	1	
22 VNB0547873	1	L=3750

VN79730470X	1	NON-ISO
23 VNB0268173	1	L=6000
24 VNB0253373	1	L=6000
25 VNB0374873	1	L=4500

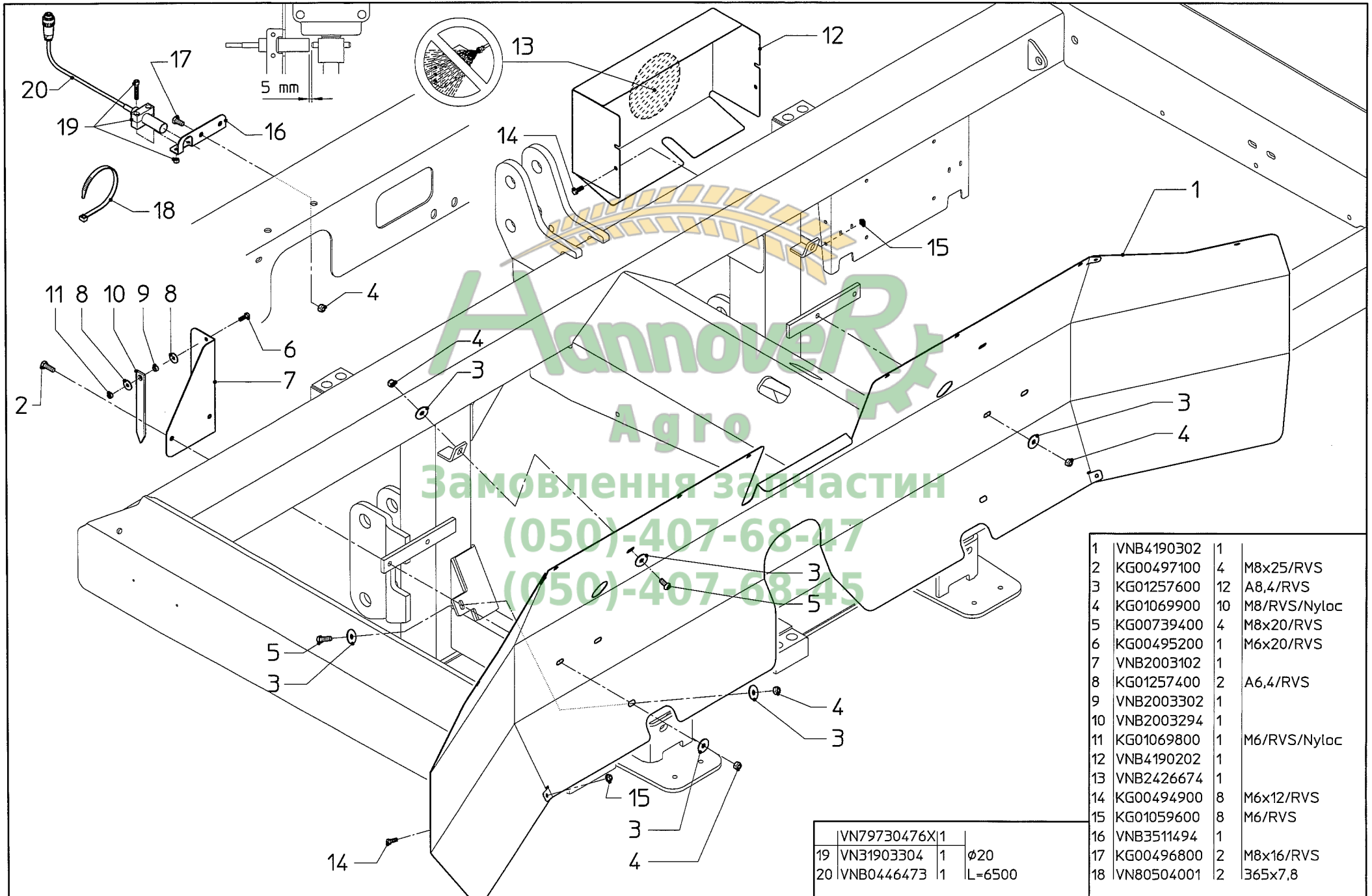
1	VNB4187786	1	
2	VNB1599786	1	
3	VNB0897393	1	
4	VNB0870178	1	
5	VNB3358794	1	
6	KG00501000	2	M12x35/RVS
7	KG01070100	3	M12/RVS/Nyloc
8	VNB2332694	1	
9	VN30163250	2	A13/RVS
10	KG00501200	1	M12x45/RVS
12	VNB1599986	2	
13	VNB0765193	2	

VN79730476X	1	ISO+NON-ISO
20 VNB0489473	1	
X VNB2559578	1	

serial number 77405

D2

RO-EDW



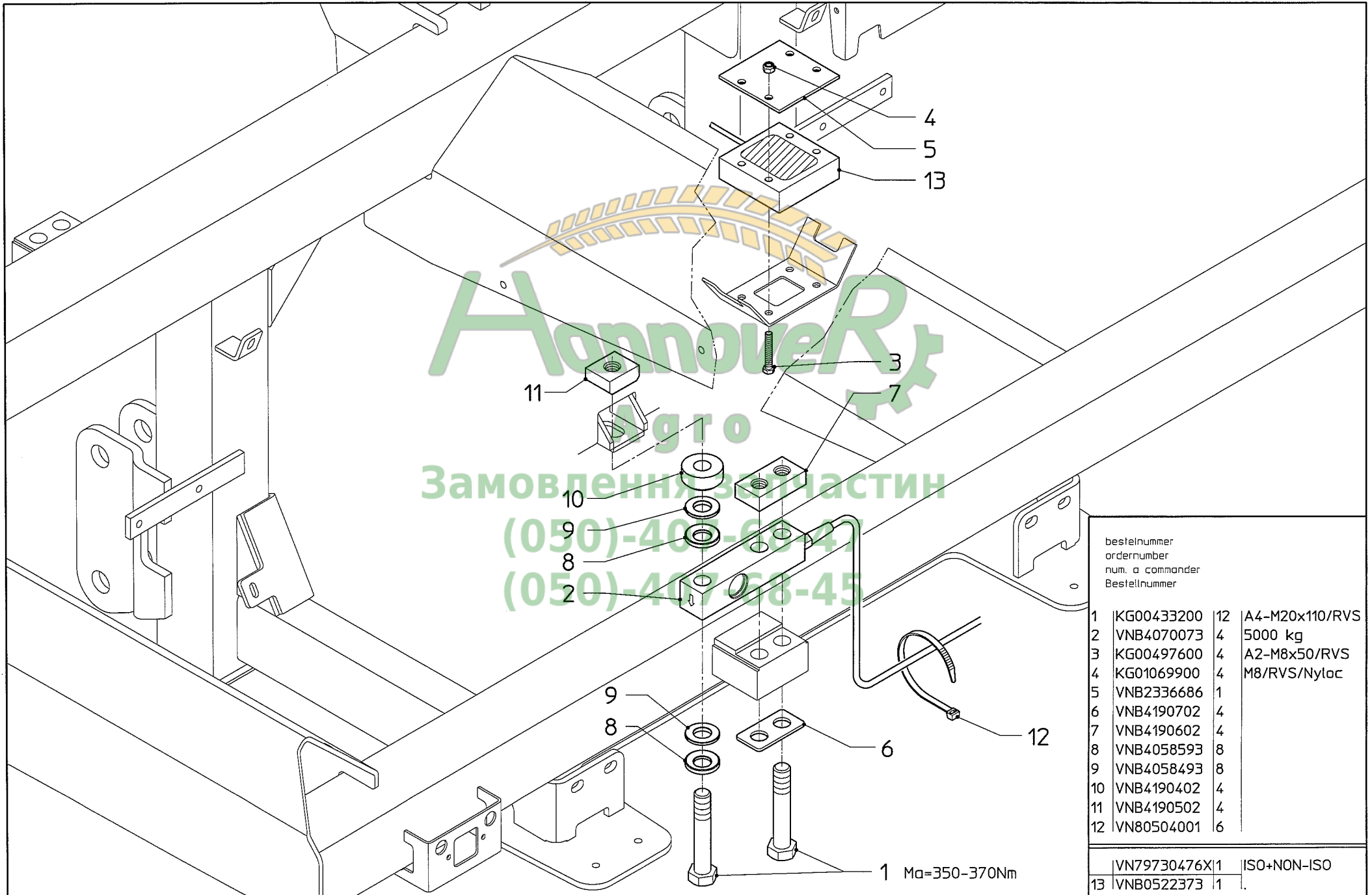
1	VNB4190302	1	
2	KG00497100	4	M8x25/RVS
3	KG01257600	12	A8,4/RVS
4	KG01069900	10	M8/RVS/Nyloc
5	KG00739400	4	M8x20/RVS
6	KG00495200	1	M6x20/RVS
7	VNB2003102	1	
8	KG01257400	2	A6,4/RVS
9	VNB2003302	1	
10	VNB2003294	1	
11	KG01069800	1	M6/RVS/Nyloc
12	VNB4190202	1	
13	VNB2426674	1	
14	KG00494900	8	M6x12/RVS
15	KG01059600	8	M6/RVS
16	VNB3511494	1	
17	KG00496800	2	M8x16/RVS
18	VN80504001	2	365x7,8

	VN79730476X1		
19	VN31903304	1	∅20
20	VNB0446473	1	L=6500

serial number 77405

D3

RO-EDW

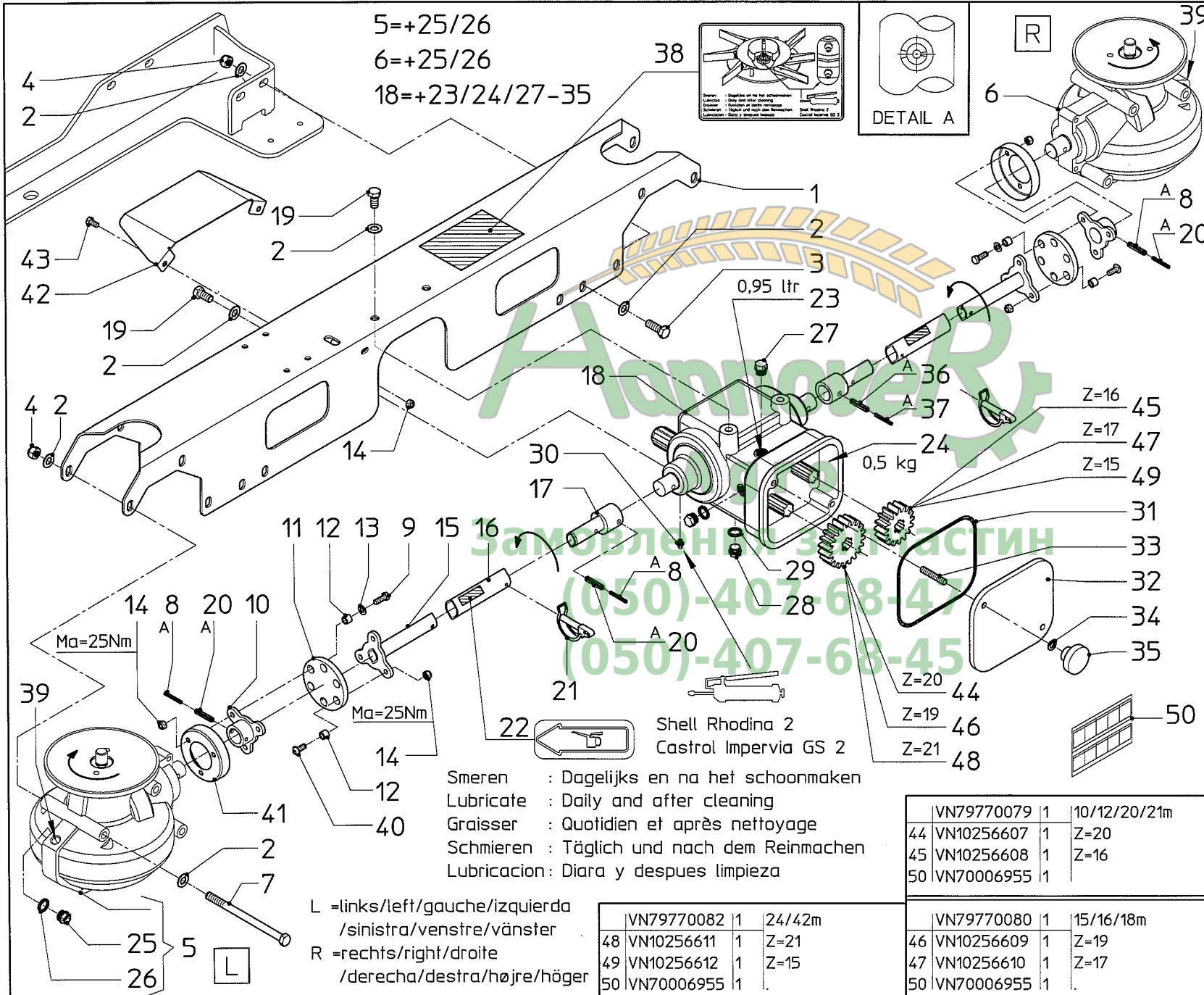


70.009.812-7

serial number 77405

D4

RO-EDW



1	VNB4052086	1	
2	KG01264100	32	13/RVS
3	KG00501000	8	M12x35/RVS
4	KG01070100	14	M12/RVS/Nyloc
5	VNB4064878	1	L
6	VNB4064978	1	R
7	KG00399800	6	M12x170/RVS
8	KG01888262	3	5x40/DM
9	KG00497200	6	M8x30/RVS
10	VNB1593593	2	
11	VNB2417578	2	
12	VNB2417602	12	
13	KG01263900	6	8,4/RVS
14	KG01069900	14	M8/RVS/Nyloc
15	VNB3788693	2	
16	VNB3391393	2	
17	VNB3788893	2	
18	VNB4065078	1	
19	KG00500800	4	M12x25/RVS
20	KG01191862	3	8x40/DM
21	VNB0682993	2	
22	VN90090191	2	
23			0,95 ltr GearLube GL5 80W-90
24			0,5 kg Lithium grease MG 2
25	VNB3588378	4	
26	VNB3588478	4	
27	VNB3658078	1	
28	VNB3658378	2	
29	VNB3658278	2	
30	VN30130800	3	AM8x1/RVS
31	VNB3658178	1	
32	VNB3657978	1	
33	VN30101145	2	M10x45/RVS
34	VN30117100	2	A10/RVS
35	VN17856588	2	
36	KG01192162	1	8x60/DM
37	KG01188562	1	5x60/DM
38	VNB4105874	1	
39		X	Gear Grease EP-00/000 M8x25/RVS
40	RG00050664	6	M8x25/RVS
41	VNB3910902	2	
42	VNB4052402	1	
43	KG00496800	2	M8x16/RVS

VN79770079	1	10/12/20/21m
44 VN10256607	1	Z=20
45 VN10256608	1	Z=16
50 VN70006955	1	

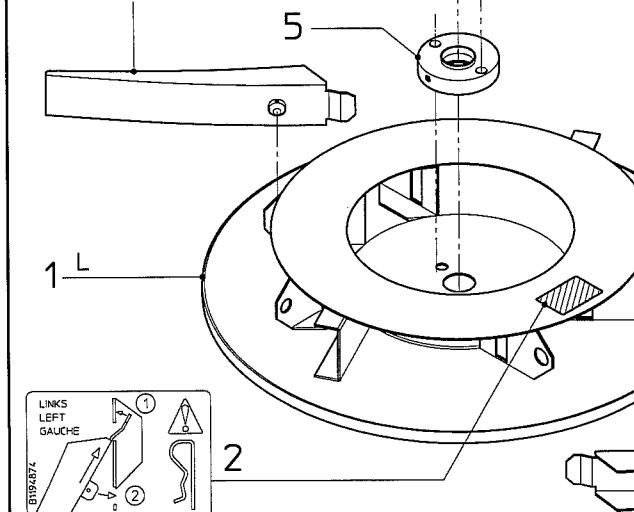
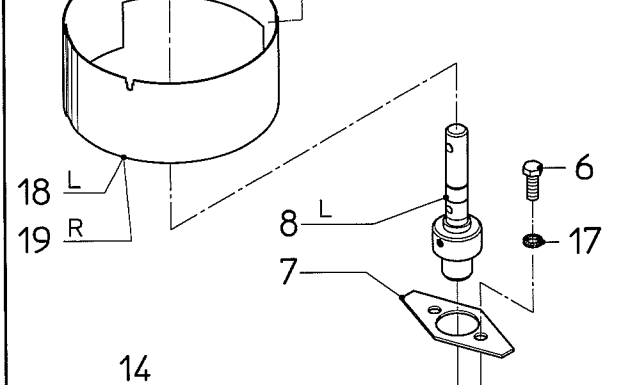
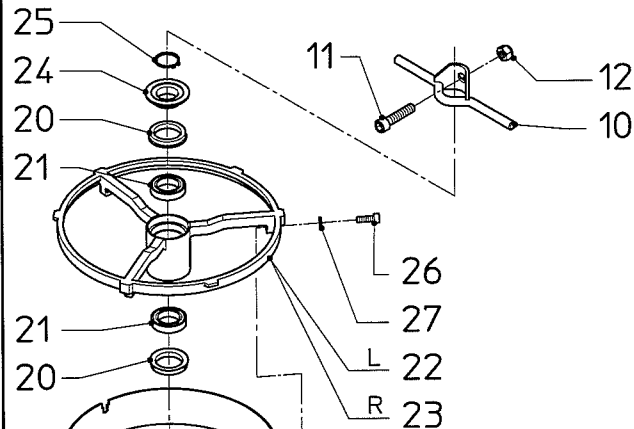
VN79770080	1	15/16/18m
46 VN10256609	1	Z=19
47 VN10256610	1	Z=17
50 VN70006955	1	

VN79770082	1	24/42m
48 VN10256611	1	Z=21
49 VN10256612	1	Z=15
50 VN70006955	1	

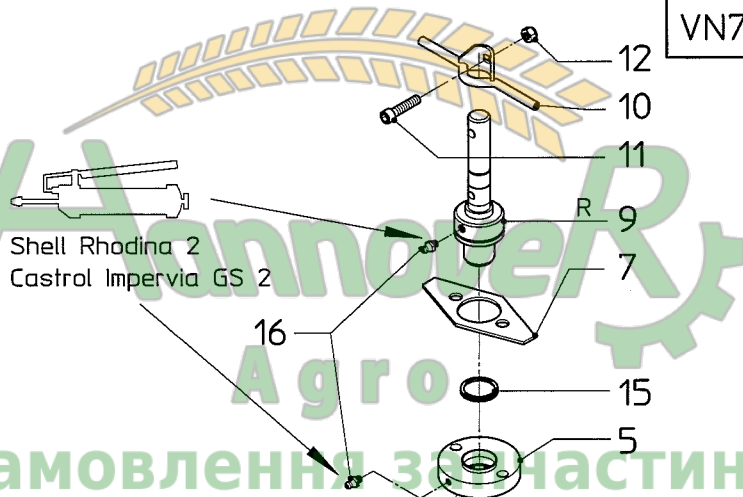
serial number 77405

D5

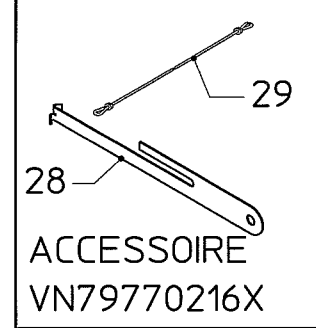
RO-EDW



Smeren : Dagelijks en na het schoonmaken
 Lubricate : Daily and after cleaning
 Graisser : Quotidien et après nettoyage
 Schmierem : Täglich und nach dem Reinmachen
 Lubricacion Diaria y despues limpieza



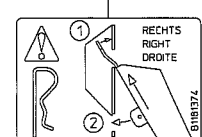
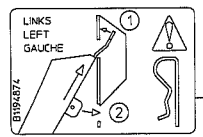
Shell Rhodina 2
 Castrol Impervia GS 2



ACCESSOIRE
 VN79770216X

1	VNB3414002	1	L
2	VNB1194874	1	L
3	VNB3414102	1	R
4	VNB1181374	1	R
5	VNB3388365	2	
6	KG00498800	4	M10x30/RVS
7	VNB3388402	2	
8	VNB4077502	1	L
9	VNB4077602	1	R
10	VNB3717802	2	
11	KG00565700	2	M8x35/RVS
12	KG01069900	2	M8/RVS/Nyloc
13	VNB1082102	12	
14	VNB1060002	12	L=285
15	VN36112032	2	V32A
16	VN30130800	4	AM8x1/RVS
17	KG01283300	4	A10,5/RVS
18	VNB4077702	1	L
19	VNB4077802	1	R
20	VN36112005	4	V-025A
21	KG01421400	4	61804
22	VNB4069802	1	L
23	VNB4069902	1	R
24	VNB4023502	2	
25	KG01107862	2	A20x1,2
26	KG00562400	6	M5x10/RVS
27	KG01283000	6	A5,3/RVS

	VN79770216X	1	ACCESSOIRE
28	VNB1709302	1	
29	VNB1754278	1	

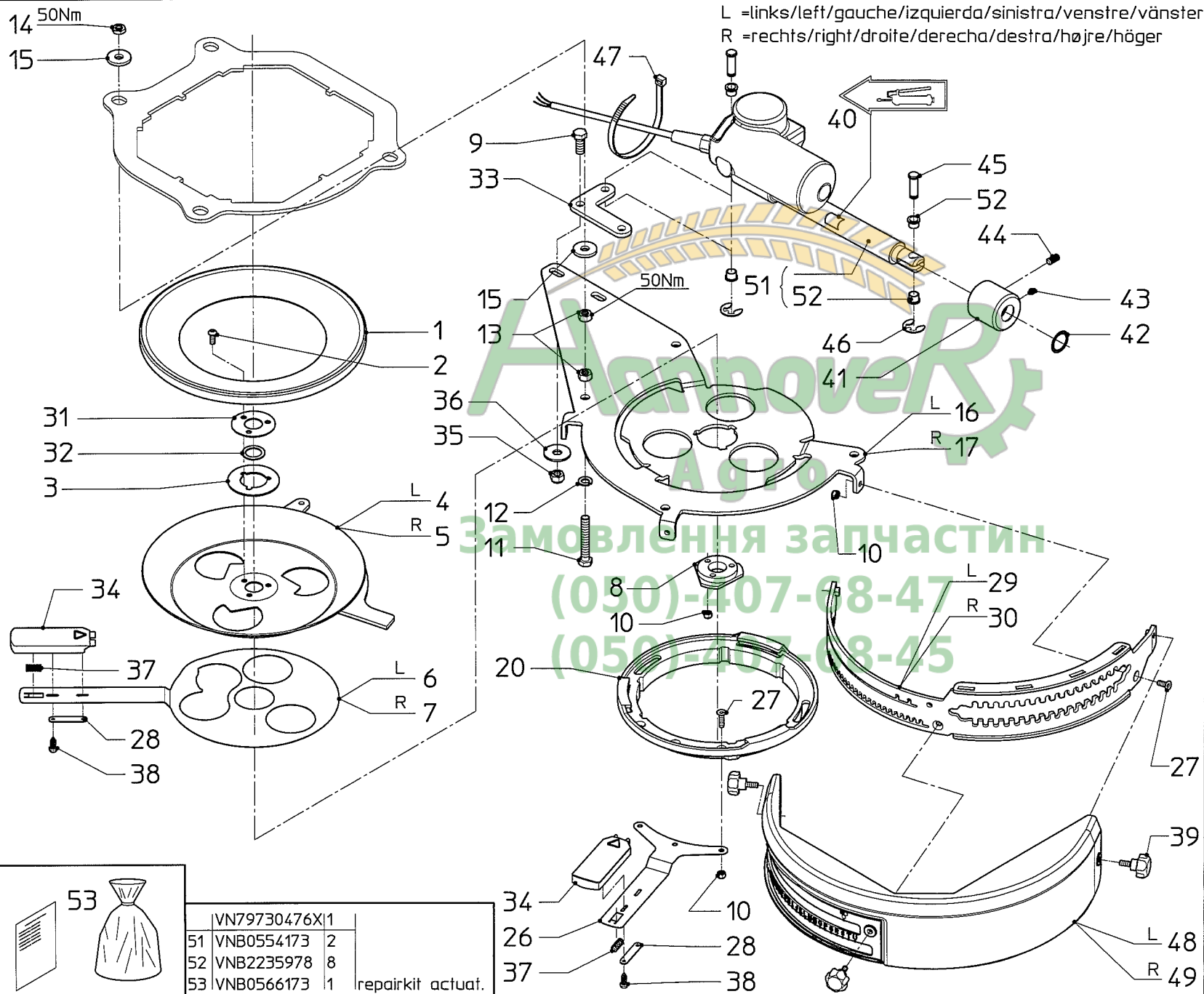


L =links/left/gauche/izquierda/sinistra/venstre/vänster
 R =rechts/right/droite/derecha/dextra/højre/höger

serial number 77405

D6

RO-EDW



1	VNB3317278	2	
2	KG00738100	6	M6x16/RVS
3	VNB4061702	2	
4	VNB3969702	1	L
5	VNB3969802	1	R
6	VNB3957302	1	L
7	VNB3957402	1	R
8	VNB4073178	2	
9	KG00498700	4	M10x25/RVS
10	KG01069800	18	M6/RVS/Nyloc
11	KG00499500	8	M10x65/RVS
12	VN30117100	8	A10
13	KG01053800	16	M10/RVS
14	KG01044900	8	M10/RVS/Form B
15	VNB4042702	16	
16	VNB3967598	1	L
17	VNB3967698	1	R
20	VNB4060978	2	
26	VNB3957502	2	
27	KG00870000	12	M6x16/RVS
28	VNB3559902	4	
29	VNB4042498	1	L
30	VNB4042598	1	R
31	VNB4059402	2	
32	VNB4061978	2	
33	VNB3322594	2	
34	VNB3958278	4	
35	KG01070000	4	M10/RVS/Nyloc
36	KG01257800	4	A10,5/RVS
37	VNB3970002	4	
38	KG00747600	8	3,5x9,5/RVS
39	VNB4077378	6	
40	VN90090190	2	
41	VNB3317378	2	
42	VN36107317	2	29,74x3,53
43	VN30130800	2	M8x1/RVS
44	KG00945900	2	M8x10/RVS
45	VNB1843002	4	
46	VN30116090	4	9/RVS
47	VN80504001	2	365x7.8
48	VNB4063078	1	L
49	VNB4063178	1	R

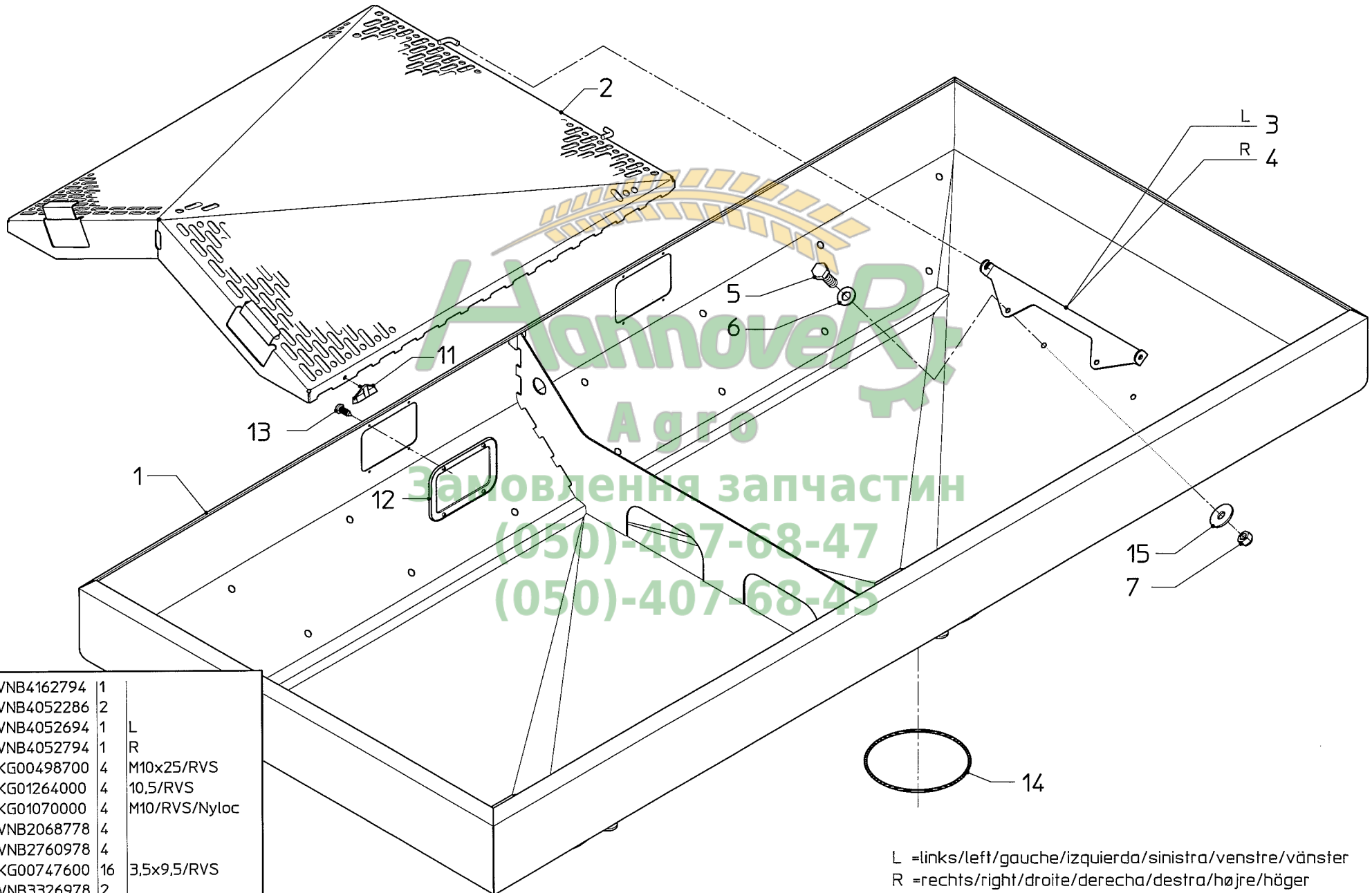
53

VN79730476X1	1	
51 VNB0554173	2	
52 VNB2235978	8	
53 VNB0566173	1	repairkit actuat.

serial number 77405

D7

RO-EDW



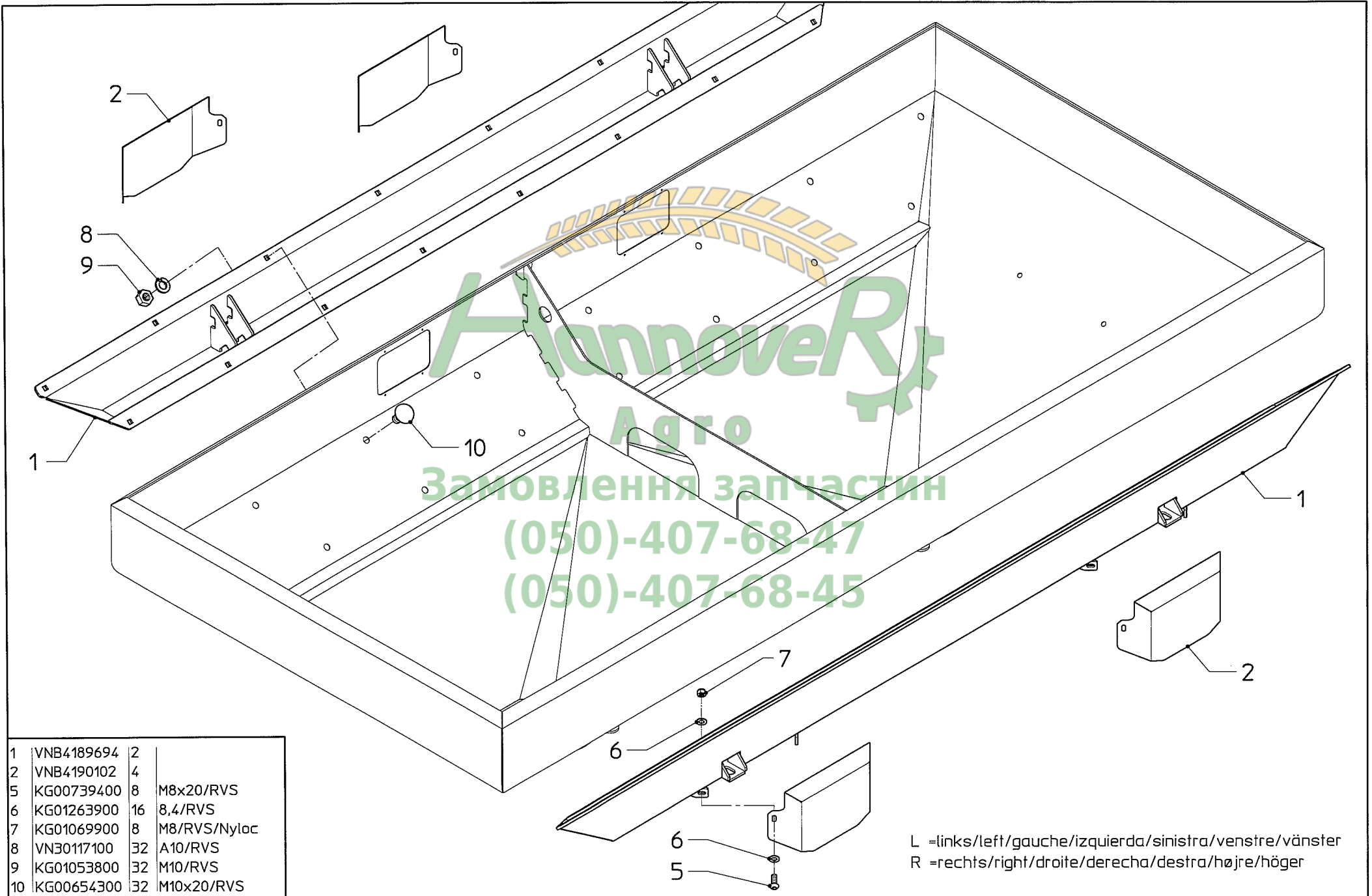
1	VNB4162794	1	
2	VNB4052286	2	
3	VNB4052694	1	L
4	VNB4052794	1	R
5	KG00498700	4	M10x25/RVS
6	KG01264000	4	10,5/RVS
7	KG01070000	4	M10/RVS/Nyloc
11	VNB2068778	4	
12	VNB2760978	4	
13	KG00747600	16	3,5x9,5/RVS
14	VNB3326978	2	
15	KG01257800	4	A10,5/RVS

L =links/left/gauche/izquierda/sinistra/venstre/vänster
R =rechts/right/droite/derecha/destra/højre/höger

serial number 77405

D8

RO-EDW

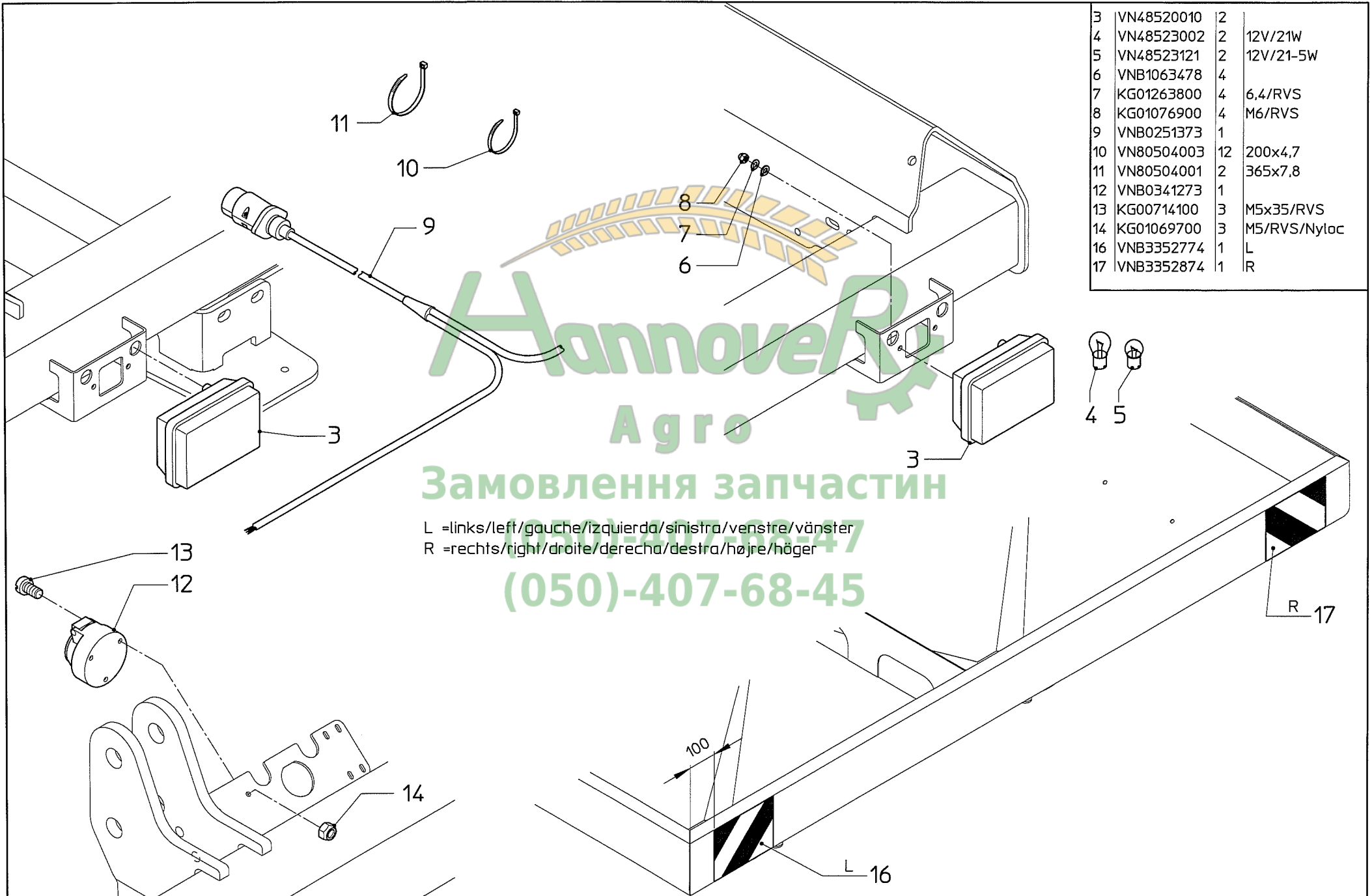


L =links/left/gauche/izquierda/sinistra/venstre/vänster
R =rechts/right/droite/derecha/destra/højre/höger

serial number 77405

D9

RO-EDW

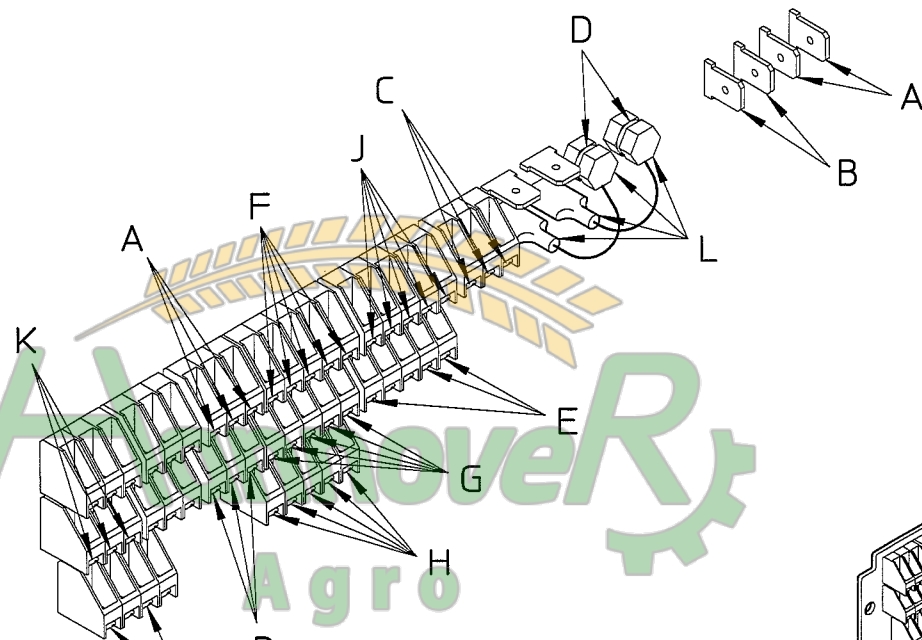
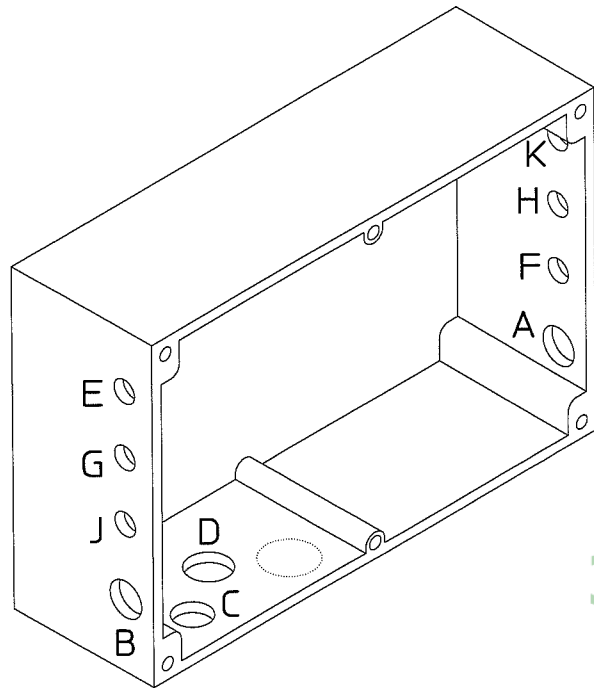


serial number 77405

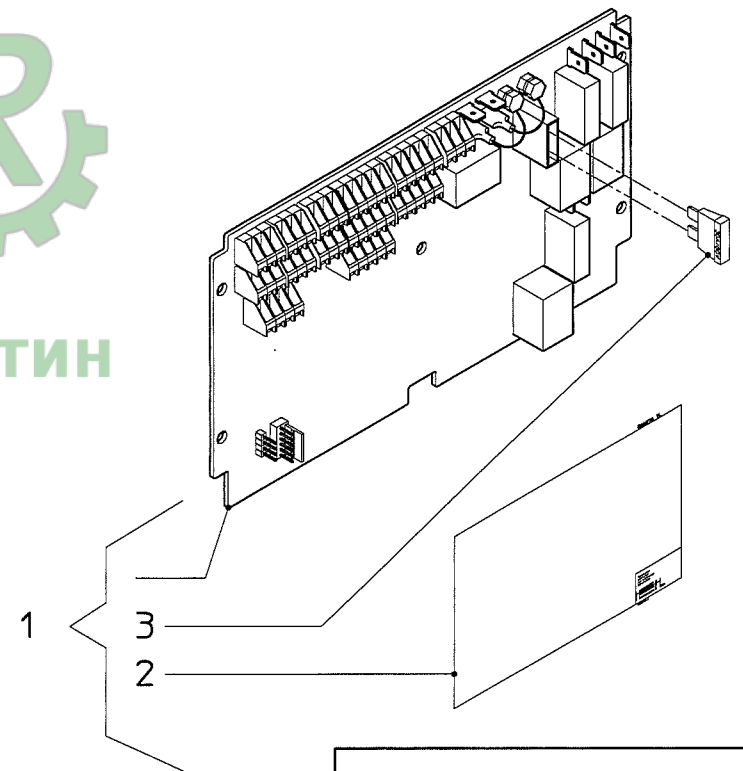
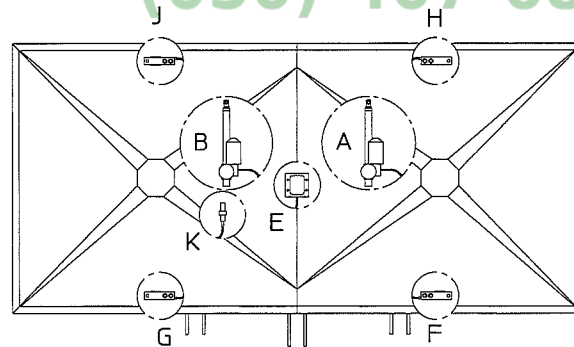
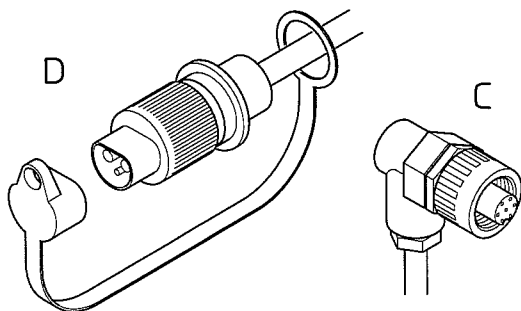
D10

RO-EDW

NON-ISO



Замовлення запчастин
(050)-407-68-47
(050)-407-68-45



bestelnummer
ordernumber
num. o commander
Bestellnummer

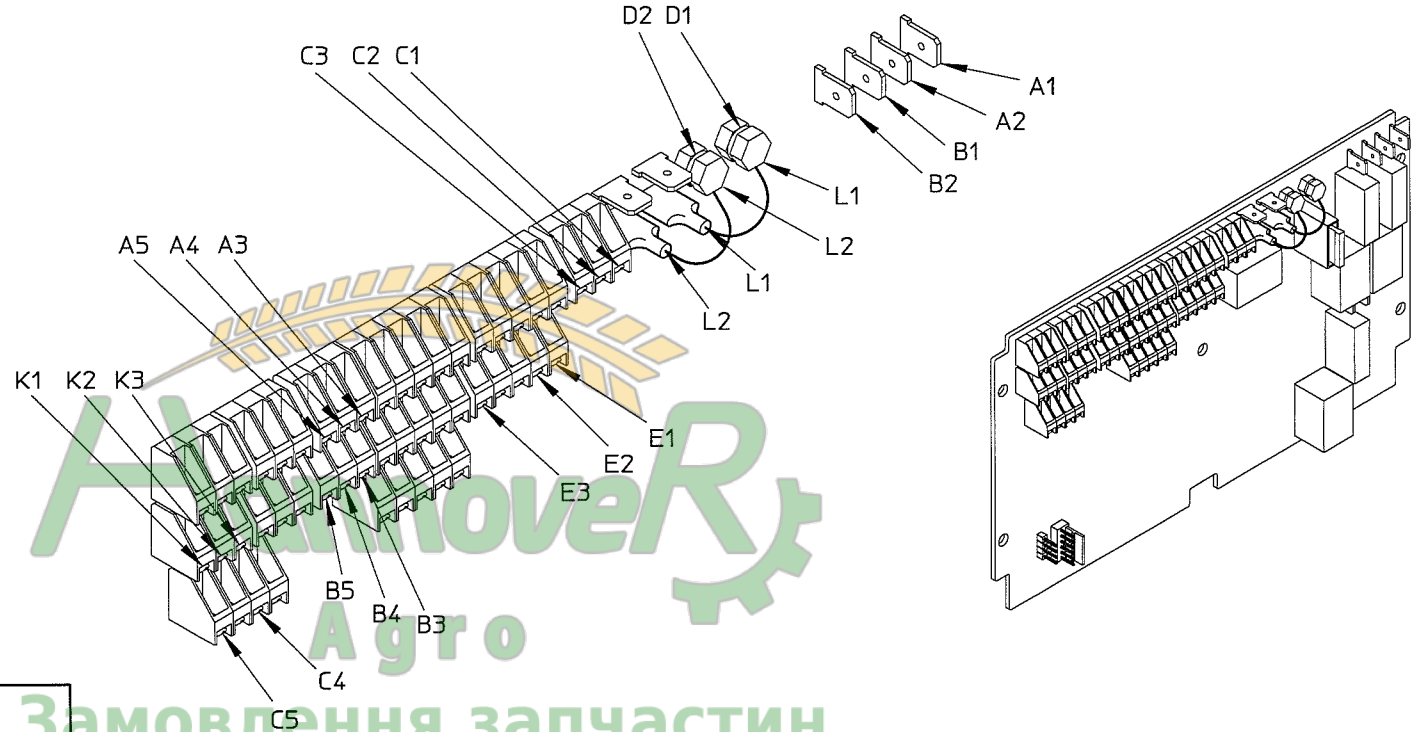
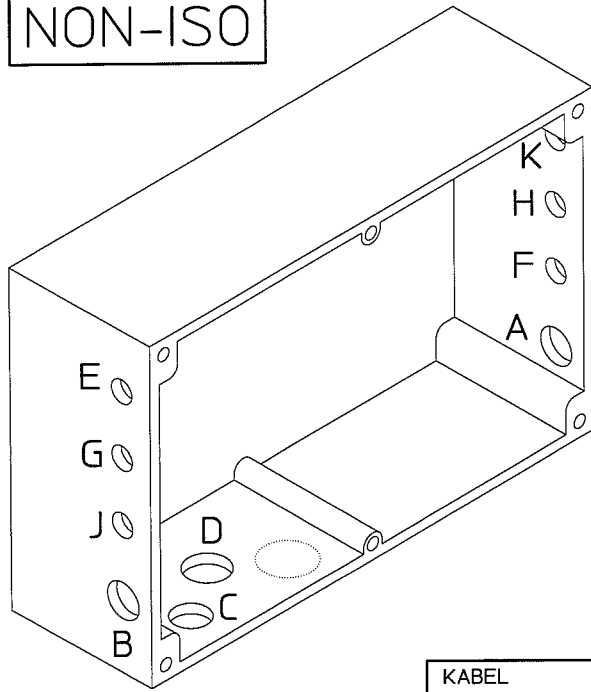
1	VN79730444	1	
2	VN70009704	1	
3	VNB0066573	1	30A

serial number 77405

D11

RO-EDW

NON-ISO



Замовлення запчастин

(050) 407-68-47
(050) 407-68-45

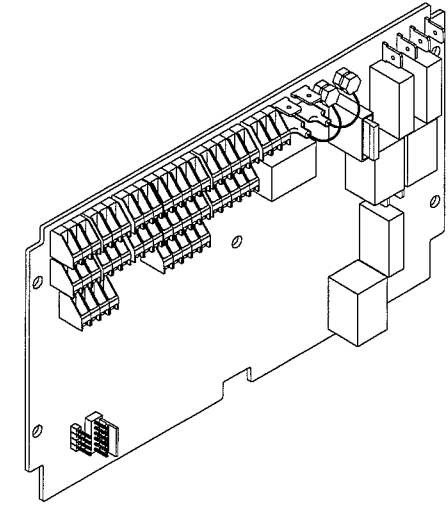
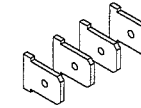
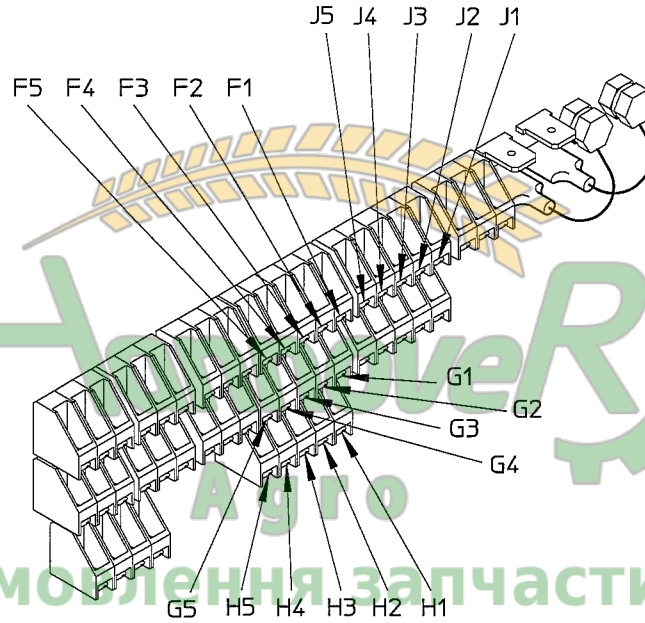
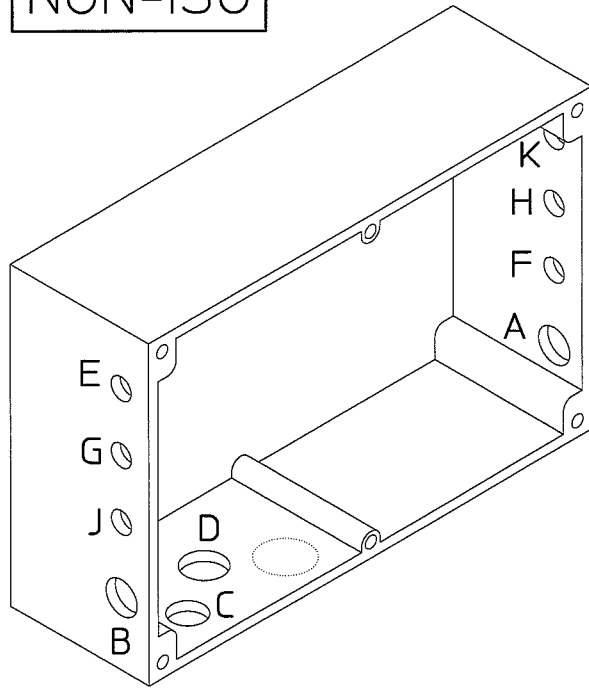
KLEUR	COLOR	KABEL CABLE CÂBLE CAVO	FARBE	COULEUR	COLOR	COLORE	FARVE	FÄRIG
geel+rood	yellow+red	A1 & B1	gelb+rot	jaune+rouge	amarillo+rojo	giallo+rosso	gul+rød	gul+röd
wit(oranje)+groen	white(orange)+green	A2 & B2	weiss(orange)+gruen	blanc(orange)+vert	blanco(naranja)+verde	bianco(arancia)+verde	hvid(orange)+grøn	vit(orange)+grön
bruin	brown	A3 & B3	braun	brun	maron	marrone	brun	brun
blauw	blue	A4 & B4	blau	bleu	azul	azzurro	blå	blå
zwart	black	A5 & B5	schwarz	noir	negro	nero	sort	svart
zwart	black	C1	schwarz	noir	negro	nero	sort	svart
groen	green	C2	gruen	vert	verde	verde	grøn	grön
oranje	orange	C3	orange	orange	naranzo	arancia	orange	orange
geel	yellow	C4	gelb	jaune	amarillo	giallo	gul	gul
blauw	blue	C5	blau	bleu	azul	azzurro	blå	blå
bruin	brown	D1	braun	brun	maron	marrone	brun	brun
blauw	blue	D2	blau	bleu	azul	azzurro	blå	blå
bruin	brown	E1	braun	brun	maron	marrone	brun	brun
zwart (geel/groen)	black (yellow/green)	E2	schwarz (gelb/gruen)	noir (jaune/vert)	negro (amarillo/verde)	nero (giallo/verde)	sort (gul/grøn)	svart (gul/grön)
blauw	blue	E3	blau	bleu	azul	azzurro	blå	blå
blauw	blue	K1	blau	bleu	azul	azzurro	blå	blå
zwart	black	K2	schwarz	noir	negro	nero	sort	svart
bruin	brown	K3	braun	brun	maron	marrone	brun	brun
rood	red	L1	rot	rouge	rojo	rosso	rød	röd
zwart	black	L2	schwarz	noir	negro	nero	sort	svart

serial number 77405

D12

RO-EDW

NON-ISO



Агро
Замовлення запчастин
(050)-407-68-47
(050)-407-68-45

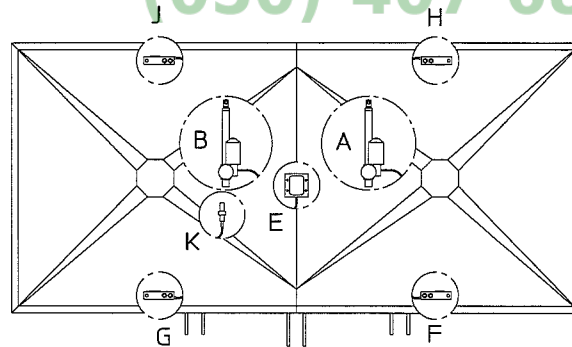
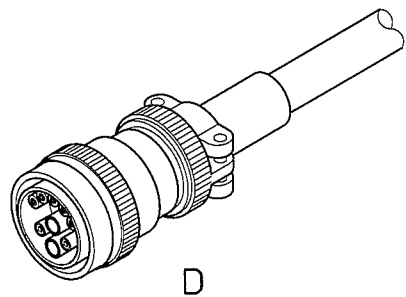
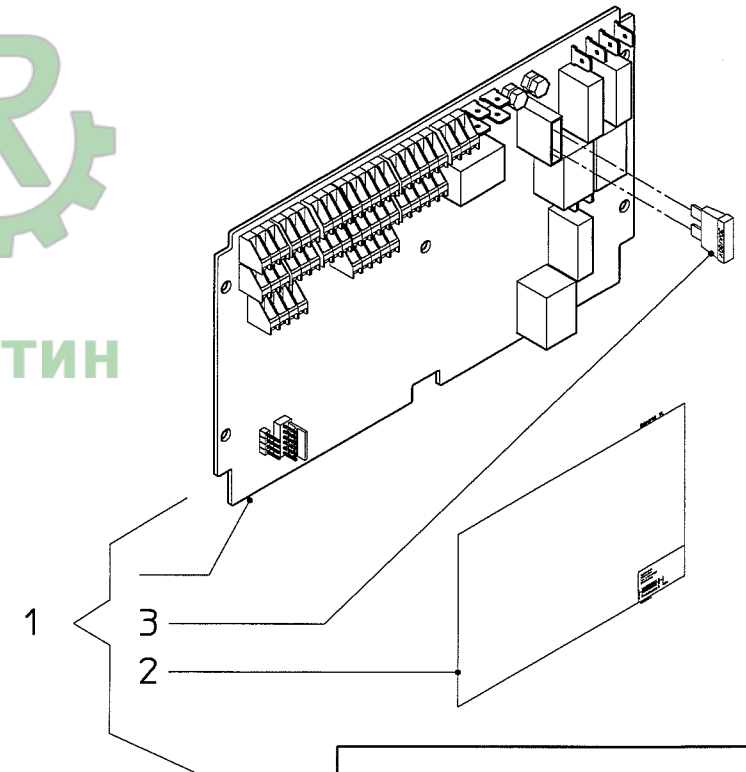
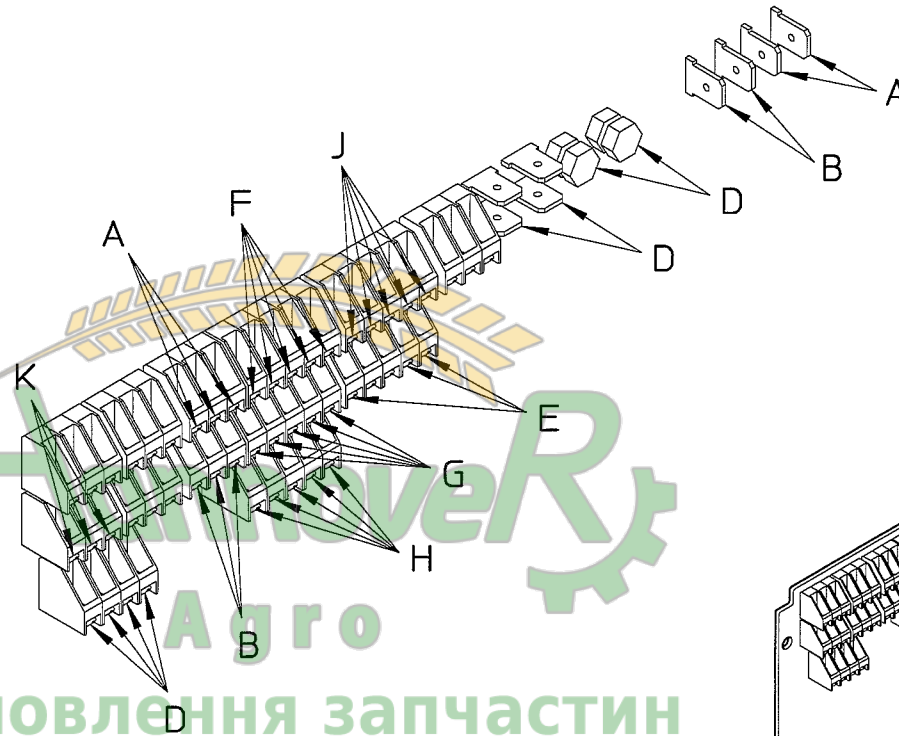
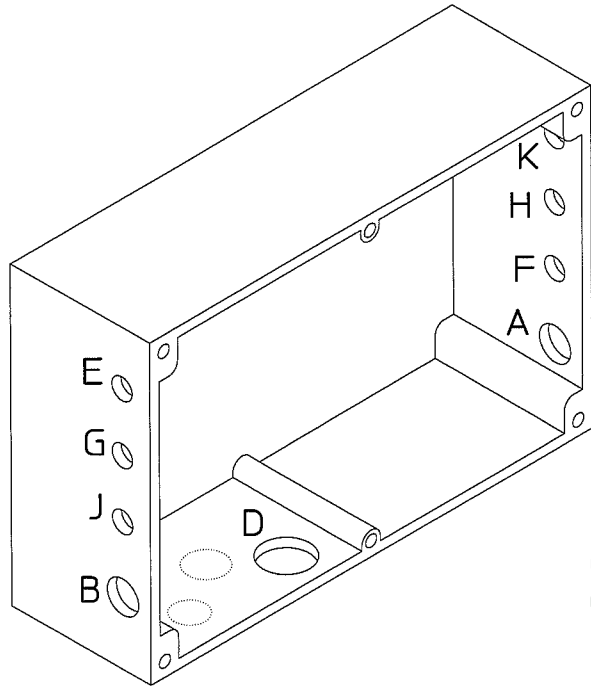
KLEUR	COLOR	KABEL CABLE CÂBLE CAVO	FARBE	COULEUR	COLOR	COLORE	FARVE	FÄRG
rood	red	F1 & G1 & H1 & J1	rot	rouge	rojo	rosso	rød	röd
groen	green	F2 & G2 & H2 & J2	grün	vert	verde	verde	grøn	grön
wit	white	F3 & G3 & H3 & J3	weiss	blanc	blanco	bianco	hvid	vit
zwart	black	F4 & G4 & H4 & J4	schwarz	noir	negro	nero	sort	svart
afscherming blauw	shielding blue	F5 & G5 & H5 & J5	abschirmung blau	blindage bleu	blindaje azul	scudo azzurro	afskaermning blå	avskärmning blå

serial number 77405

D13

RO-EDW

ISO



Замовлення запчастин
(050)-407-68-47
(050)-407-68-45

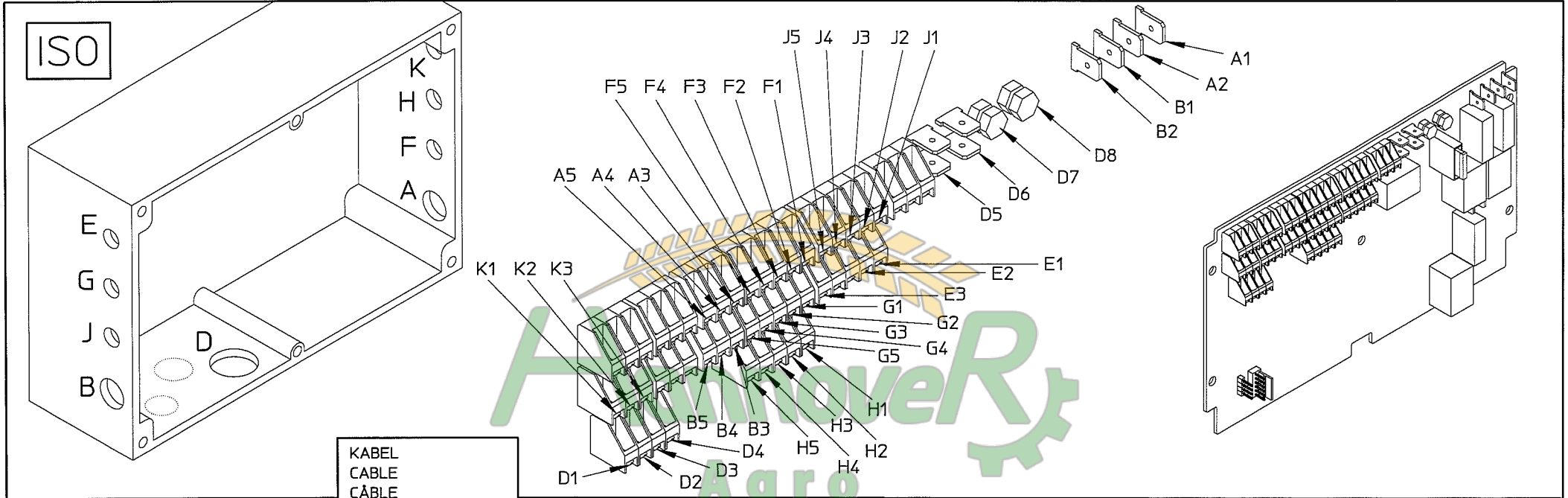
bestellnummer
ordernumber
num. a commander
Bestellnummer

1	VN79730444	1	
2	VN70009704	1	
3	VNB0066573	1	30A

serial number 77405

D14

RO-EDW

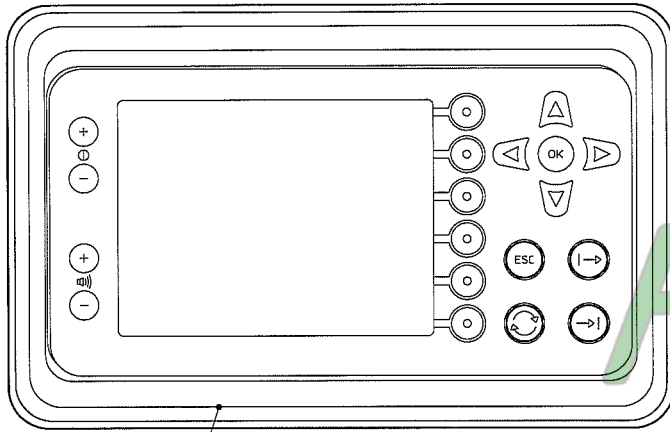


KLEUR	COLOR	KABEL CABLE CÂBLE CAVO	FARBE	COULEUR	COLOR	COLORE	FARVE	FÄRIG
geel+rood	yellow+red	A1 & B1	gelb+rot	jaune+rouge	amarillo+rojo	giallo+rosso	gul+rød	gul+rød
wit(oranje)+groen	white(orange)+green	A2 & B2	weiss(orange)+gruen	blanc(orange)+vert	blanco(naranja)+verde	bianco(arancia)+verde	hvid(orange)+grøn	vit(orange)+grøn
bruin	brown	A3 & B3	braun	brun	maron	marrone	brun	brun
blauw	blue	A4 & B4	blau	bleu	azul	azzurro	blå	blå
zwart	black	A5 & B5	schwarz	noir	negro	nero	sort	svart
groen	green	D1	gruen	vert	verde	verde	grøn	grøn
zwart	black	D2 =0,75mm	schwarz	noir	negro	nero	sort	svart
geel	yellow	D3	gelb	jaune	amarillo	giallo	gul	gul
rood	red	D4 =0,75mm	rot	rouge	rojo	rosso	rød	rød
zwart	black	D5 =2,5mm	schwarz	noir	negro	nero	sort	svart
rood	red	D6 =2,5mm	rot	rouge	rojo	rosso	rød	rød
zwart	black	D7 =6mm	schwarz	noir	negro	nero	sort	svart
rood	red	D8 =6mm	rot	rouge	rojo	rosso	rød	rød
bruin	brown	E1	braun	brun	maron	marrone	brun	brun
zwart (geel/groen)	black (yellow/green)	E2	schwarz (gelb/gruen)	noir (jaune/vert)	negro (amarillo/verde)	nero (giallo/verde)	sort (gul/grøn)	svart (gul/grøn)
blauw	blue	E3	blau	bleu	azul	azzurro	blå	blå
rood	red	F1 & G1 & H1 & J1	rot	rouge	rojo	rosso	rød	rød
groen	green	F2 & G2 & H2 & J2	grun	vert	verde	verde	grøn	grøn
wit	white	F3 & G3 & H3 & J3	weiss	blanc	blanco	bianco	hvid	vit
zwart	black	F4 & G4 & H4 & J4	schwarz	noir	negro	nero	sort	svart
afscherming blauw	shielding blue	F5 & G5 & H5 & J5	abschirmung blau	blindage bleu	blindaje azul	scudo azzurro	afskaermning blå	avskärming blå
blauw	blue	K1	blau	bleu	azul	azzurro	blå	blå
zwart	black	K2	schwarz	noir	negro	nero	sort	svart
bruin	brown	K3	braun	brun	maron	marrone	brun	brun

serial number 77405

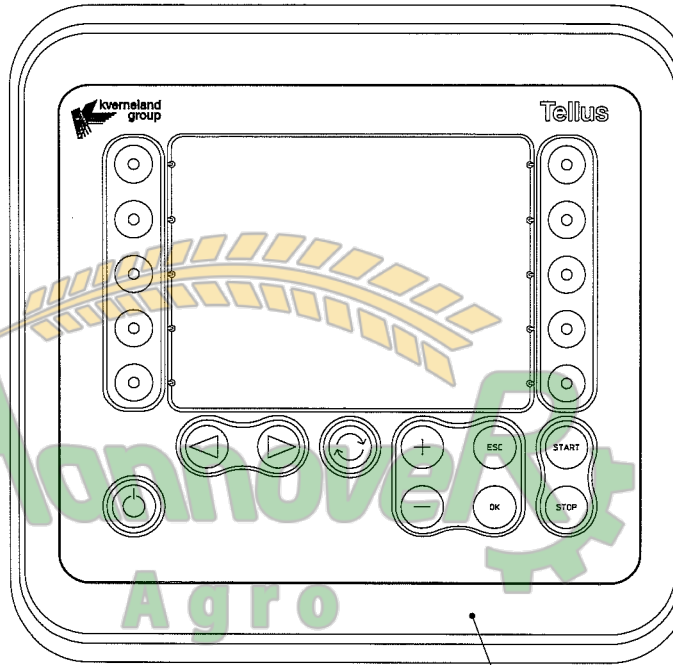
D15

RO-EDW



1

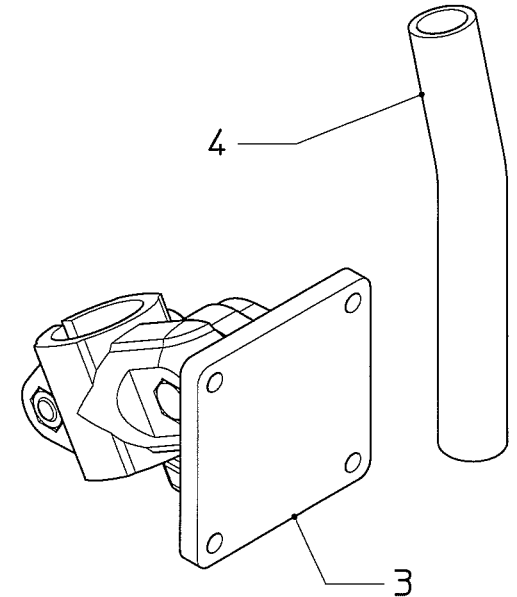
NON-ISO



2

ACCESSOIRE
VN79730309

ISO



4

3

ACCESSOIRE
VN79730439

NON-ISO

ISO

Замовлення запчастин
(050) 407-68-47
(050) 407-68-45

bestelnummer
ordernumber
num. a commander
Bestellnummer

1	VN79730470X	1	Focus II NON-ISO
1	VN79730439	1	

bestelnummer
ordernumber
num. a commander
Bestellnummer

2	ACCESSOIRE	1	Tellus ISO
	VN79730309		

bestelnummer
ordernumber
num. a commander
Bestellnummer

	VN79730470X	1	Focus II NON-ISO
3	VNB0548173	1	
4	VNB3872902	1	

	ACCESSOIRE		Focus II & Tellus ISO
3	VNB0548173	1	
4	VNB3872902	1	

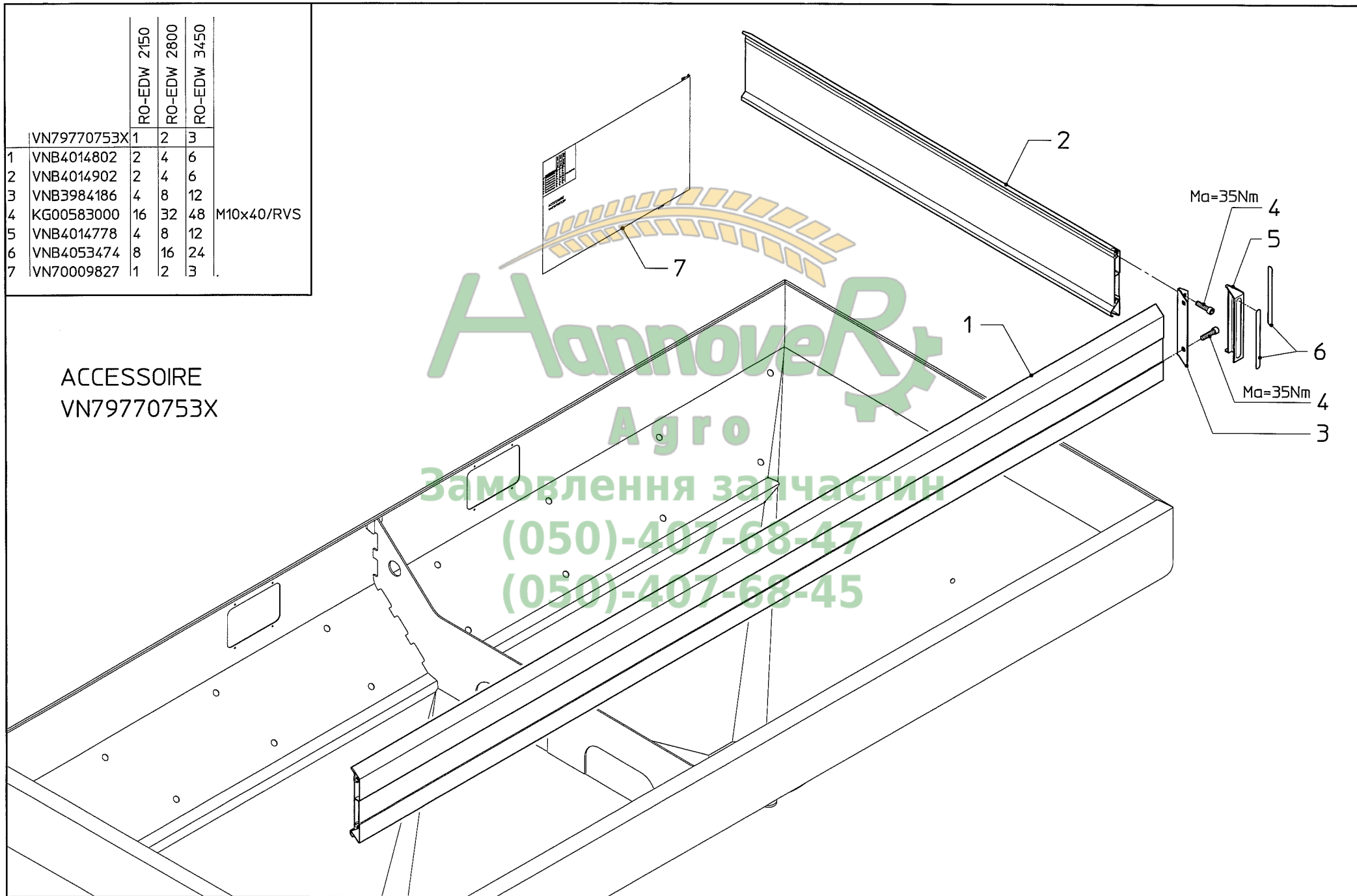
serial number 77405

D16

RO-EDW

	RO-EDW 2150	RO-EDW 2800	RO-EDW 3450	
VN79770753X	1	2	3	
1 VNB4014802	2	4	6	M10x40/RVS
2 VNB4014902	2	4	6	
3 VNB3984186	4	8	12	
4 KG00583000	16	32	48	
5 VNB4014778	4	8	12	
6 VNB4053474	8	16	24	
7 VN70009827	1	2	3	

ACCESSOIRE
VN79770753X



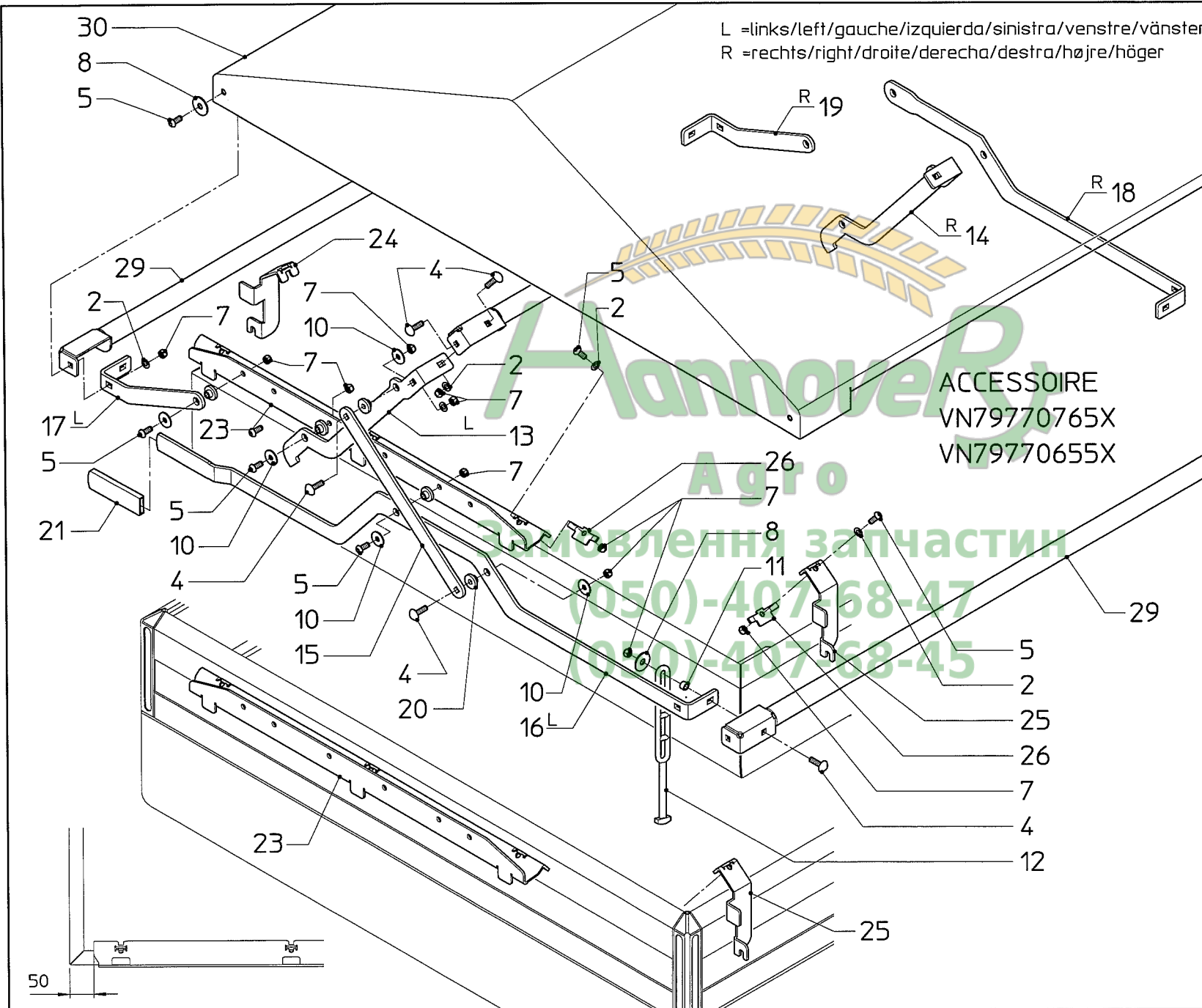
serial number 77405

E1

RO-EDW

L =links/left/gauche/izquierda/sinistra/venstre/vänster
 R =rechts/right/droite/derecha/destra/højre/höger

bestelnummer
 ordernummer
 num. a commander
 Bestellnummer

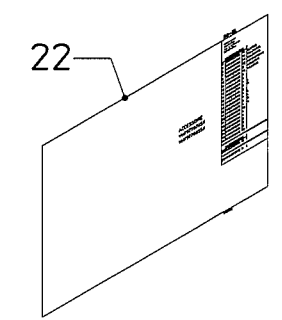


ACCESSOIRE
 VN79770765X
 VN79770655X

VN79770765X 1			
2	KG01263900	18	8,4/RVS
4	KG00652900	12	M8x30/RVS
5	KG00739500	20	M8x25/RVS
7	KG01069900	32	M8/RVS/Nylac
8	KG01257800	8	A10,5/RVS
10	KG01257600	10	A8,4/RVS
11	VNB2092402	4	
12	VNB3443478	4	
13	VNB3602694	1	L
14	VNB3602794	1	R
15	VNB3603194	2	
16	VNB3707994	1	L
17	VNB3603394	1	L
18	VNB3708094	1	R
19	VNB3603594	1	R
20	VNB3603602	10	
21	VN90070600	1	
22	VN70009846	1	
23	VNB4078394	2	
24	VNB4078694	2	
25	VNB4078594	2	
26	VNB4078402	10	

VN79770655X 1			
29	VNB3707494	3	

30	VNB4079778	1	L
----	------------	---	---



50

serial number 77405

E2

RO-EDW

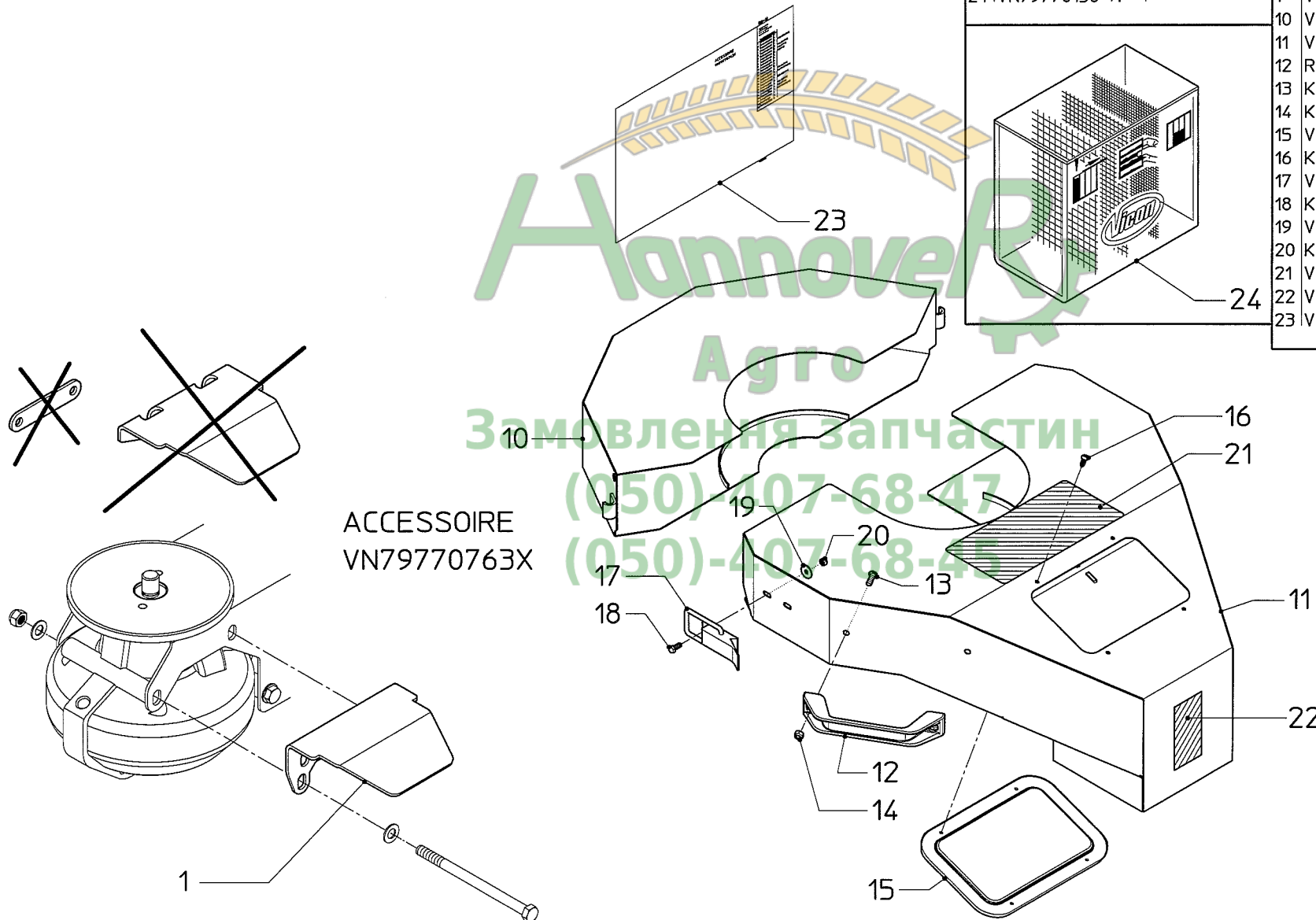
bestelnummer
ordernumber
num. a commander
Bestellnummer

bestelnummer
ordernumber
num. a commander
Bestellnummer

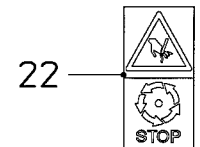
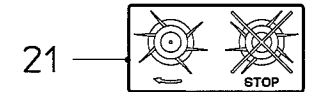
24 | VN79770150 | 1 | 1

VN79770763X | 1

1	VNB4085194	1	
10	VNB4086094	1	
11	VNB4086794	1	
12	RG00040217	2	
13	KG00738100	4	M6x16/RVS
14	KG01069800	4	M6/RVS/Nyloc
15	VNB2760978	1	
16	KG00747600	4	3,5x9,5/RVS
17	VNB1100802	2	
18	KG00493700	4	M5x12/RVS
19	VN30163500	4	A5,4/RVS
20	KG01069700	4	M5/RVS/Nyloc
21	VNB3708174	1	
22	VGTR2023	1	
23	VN70009829	1	



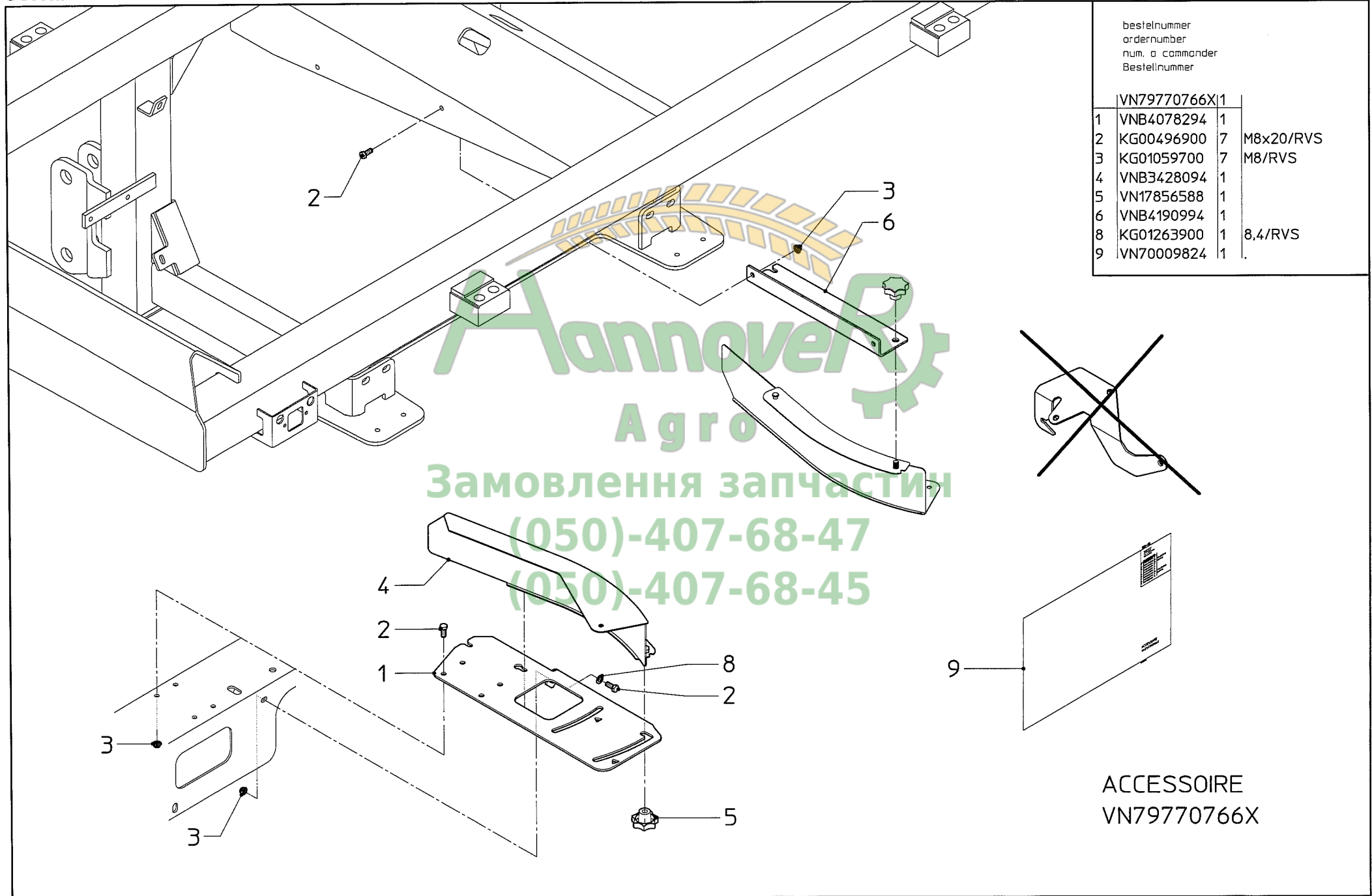
ACCESSOIRE
VN79770763X



serial number 77405

E3

RO-EDW



bestelnummer
ordernumber
num. o commander
Bestelnummer

	VN79770766X	1	
1	VNB4078294	1	
2	KG00496900	7	M8x20/RVS
3	KG01059700	7	M8/RVS
4	VNB3428094	1	
5	VN17856588	1	
6	VNB4190994	1	
8	KG01263900	1	8,4/RVS
9	VN70009824	1	

Замовлення запчастин
(050)-407-68-47
(050)-407-68-45

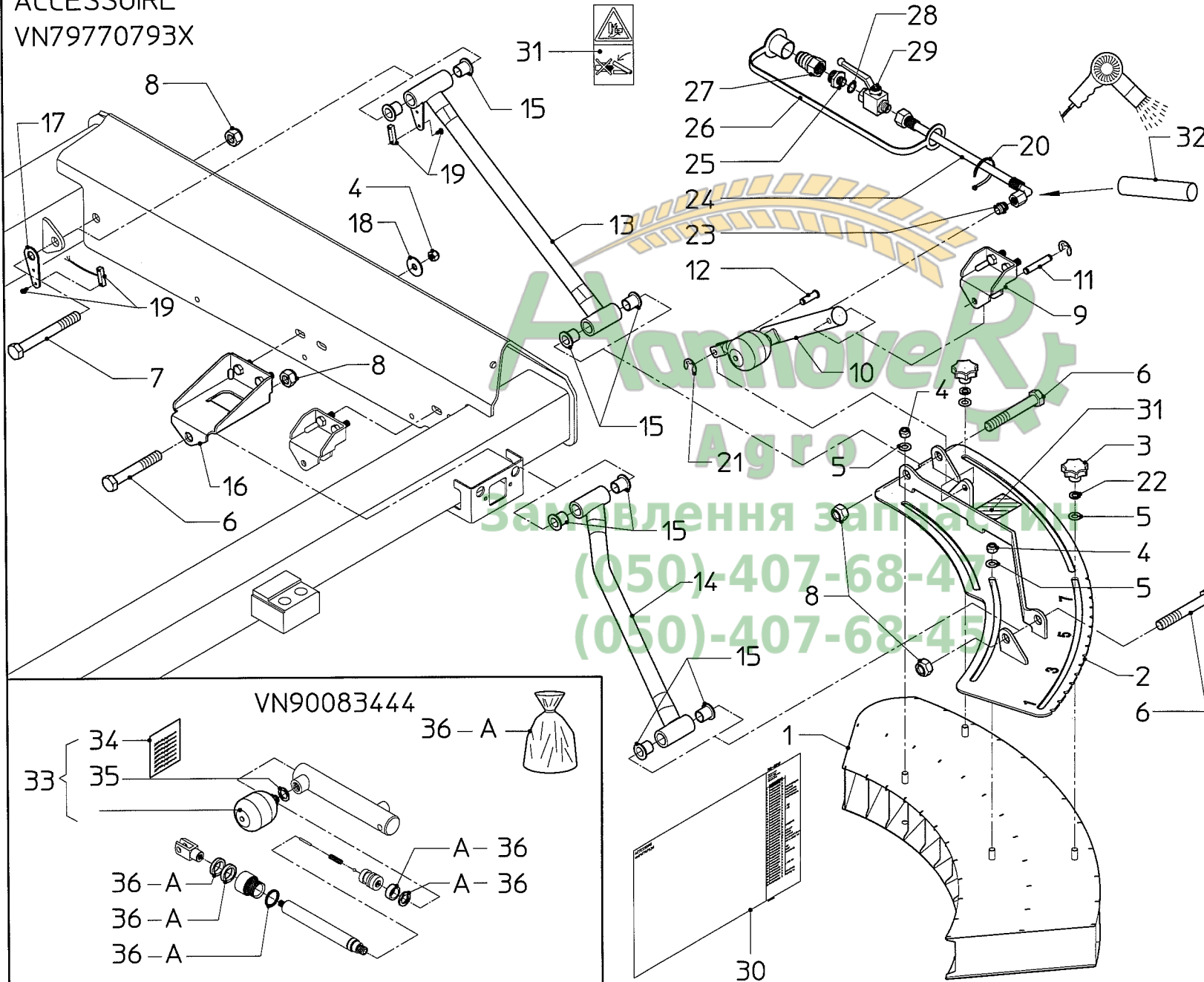
ACCESSOIRE
VN79770766X

serial number 77405

E4

RO-EDW

ACCESSOIRE
VN79770793X



bestellnummer
ordernumber
num. a commander
Bestellnummer

VN79770793X		1
1	VNB3454502	1
2	VNB3640594	1
3	VN17856588	2
4	KG01070000	6
5	KG01264000	4
6	KG00402500	3
7	KG00402800	1
8	KG01070300	4
9	VNB4191794	1
10	VN90083444	1
11	VNB3507502	1
12	VNB1843002	1
13	VNB4191094	1
14	VNB4191494	1
15	VNB3281778	8
16	VNB4194694	1
17	VNB4192002	1
18	KG01257800	4
19	VNB0450173	1
20	VN80504003	5
21	VN30116090	3
22	VN30117100	2
23	VN38820161	1
24	VNB3069178	1
25	VNB1306893	1
26	VN38854581	1
27	VN38854081	1
28	VN31419900	1
29	VN90007711	1
30	VN70009851	1
31	VGTR2059	1
32	VNB1504678	1
33	VN79750037	1
34	VN70003641	1
35	VN31419016	1
36	VN79750027	1

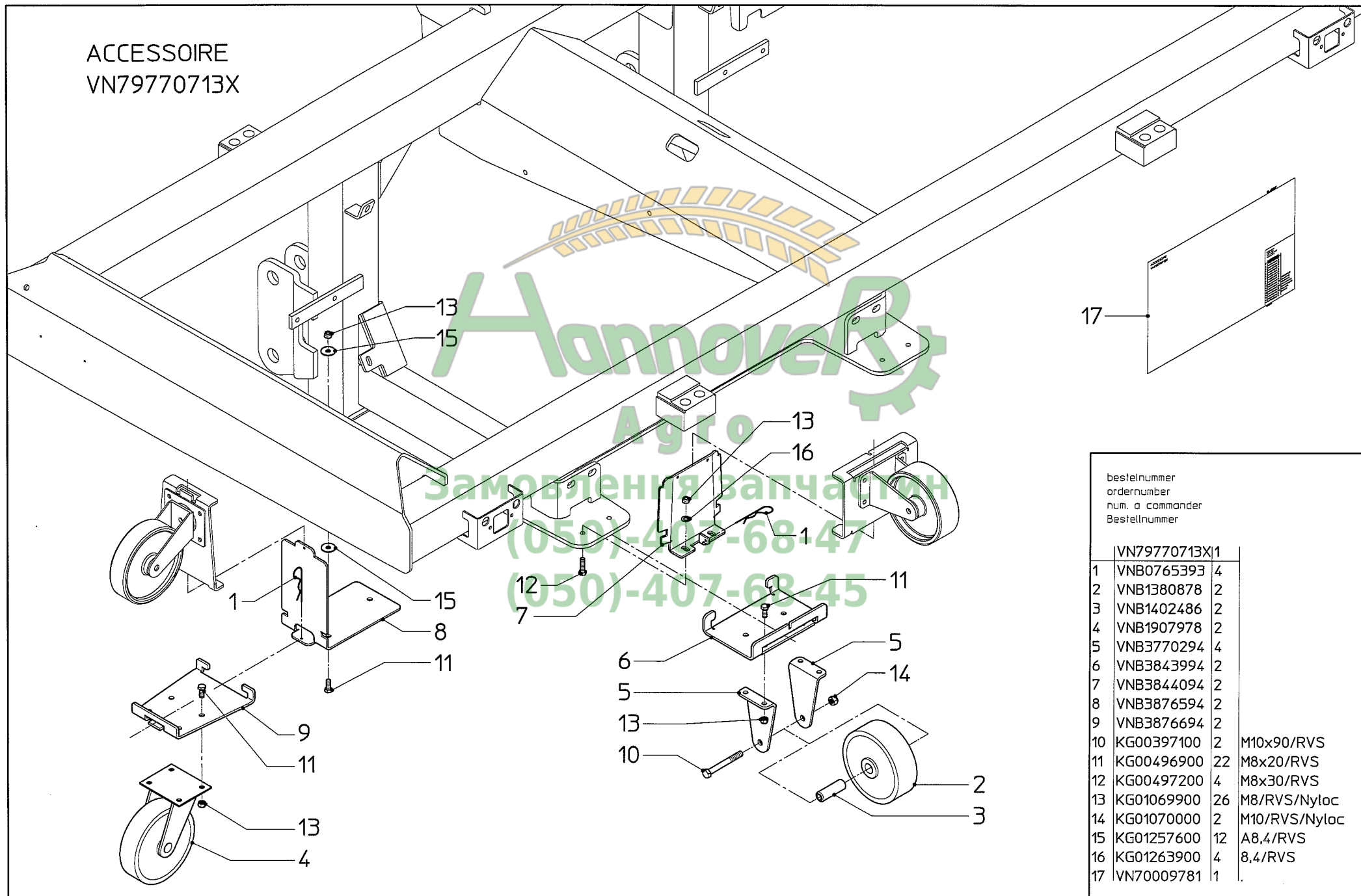
M10/RVS/Nyloc
 10,5/RVS
 M16x110/RVS
 M16x140/RVS
 M16/RVS/Nyloc
 L=58
 L=35
 A10,5/RVS
 200x4,7
 9/RVS
 A10/RVS
 AL-8-R1/4"-Ohne
 1/4"-L=3000 mm
 1/2"
 G1/2"
 A14x18x1,5
 L=140 mm
 A17x21x1,5
 Sealing kit

serial number 77405

E5

RO-EDW

ACCESSOIRE
VN79770713X



bestelnummer ordernumber num. a commander Bestellnummer	VN79770713X 1	
1	VNB0765393	4
2	VNB1380878	2
3	VNB1402486	2
4	VNB1907978	2
5	VNB3770294	4
6	VNB3843994	2
7	VNB3844094	2
8	VNB3876594	2
9	VNB3876694	2
10	KG00397100	2
11	KG00496900	22
12	KG00497200	4
13	KG01069900	26
14	KG01070000	2
15	KG01257600	12
16	KG01263900	4
17	VN70009781	1

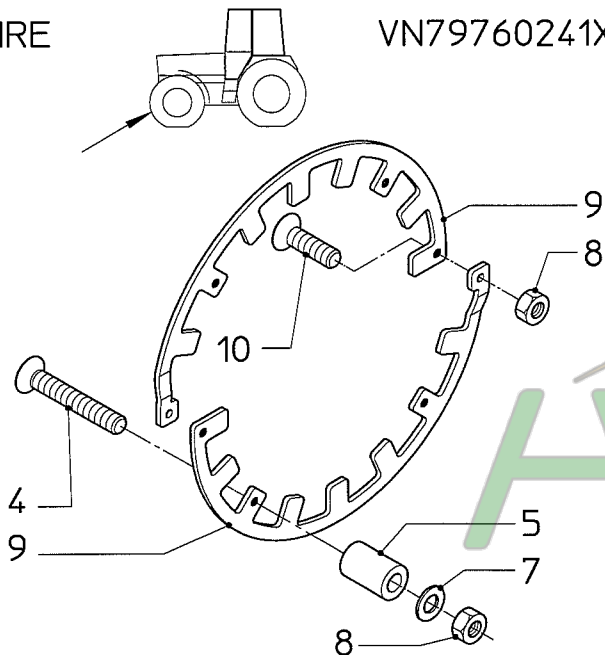
serial number 77405

E6

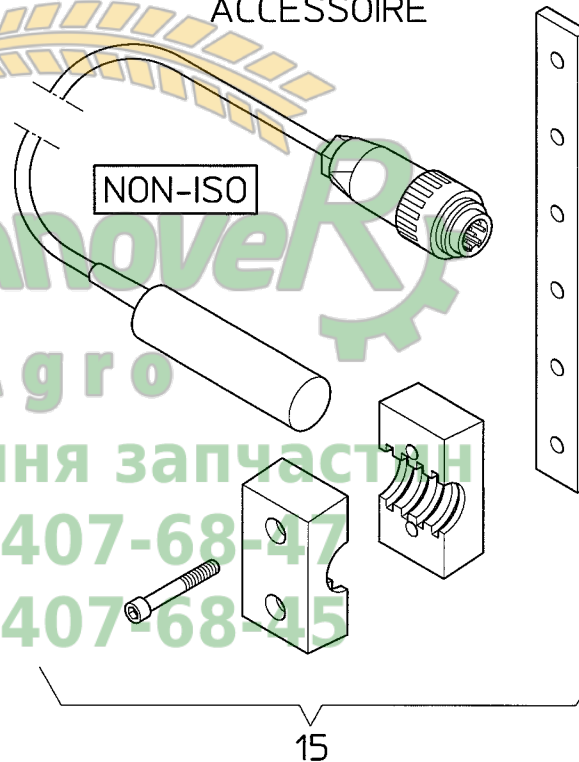
RO-EDW

ACCESSOIRE

VN79760241X- ϕ 420



ACCESSOIRE



bestelnummer
ordernumber
num. a commander
Bestellnummer

	VN79760240X1		
3	VNB1517586	1	ϕ 350
4	KG00872200	4	M8x50/RVS
5	VNB1153493	4	
7	KG01263900	4	8,4/RVS
8	KG01069900	4	M8/RVS/Nyloc

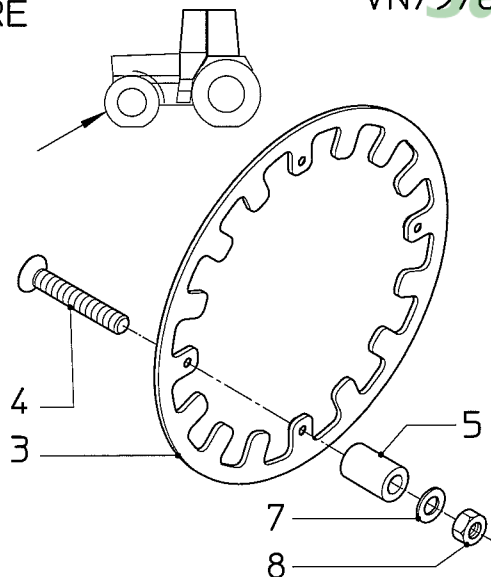
	VN79760241X	1	
4	KG00872200	4	M8x50/RVS
5	VNB1153493	4	
7	KG01263900	4	8,4/RVS
8	KG01069900	6	M8/RVS/Nyloc
9	VNB2928086	2	ϕ 420
10	KG00871700	2	M8x25/RVS

11	VNB0304073	1	6 mtr
12	VNB0326573	1	2,5 mtr

15	VNB0430273	1	1
----	------------	---	---

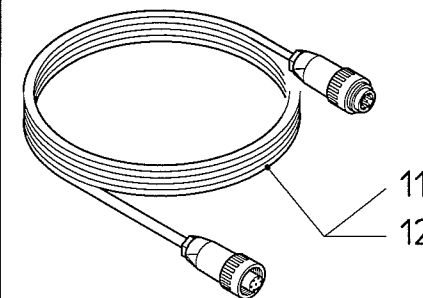
ACCESSOIRE

VN79760240X- ϕ 350



WHEEL-SENSOR
START/STOP-SENSOR
PTO-SENSOR

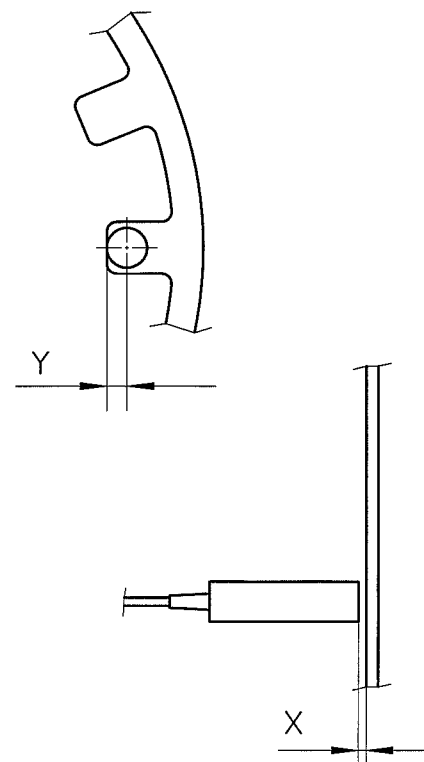
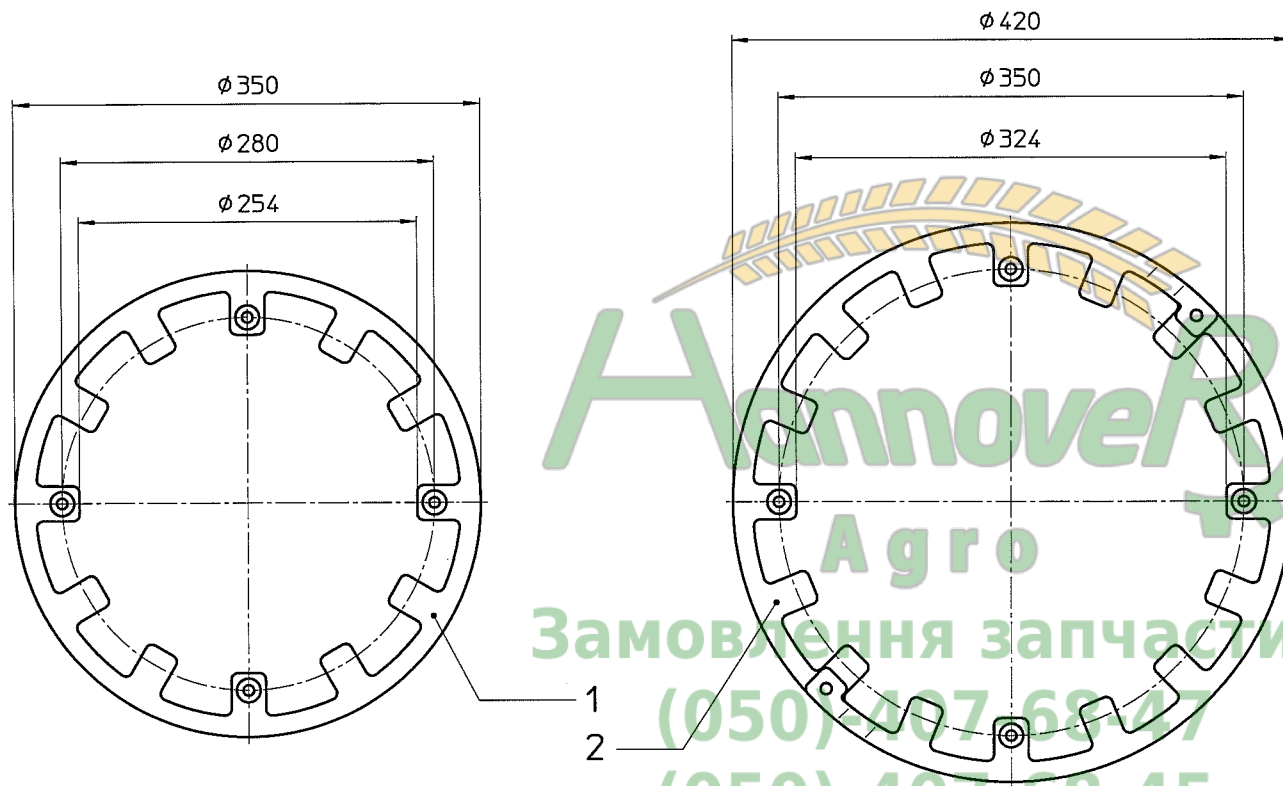
ACCESSOIRE
EXTENSION CABLE



serial number 77405

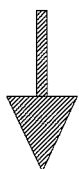
E7

RO-EDW



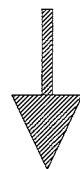
VNB1517586

VNB2928086 (2x)



X = 4,5 mm

Y = 9 mm

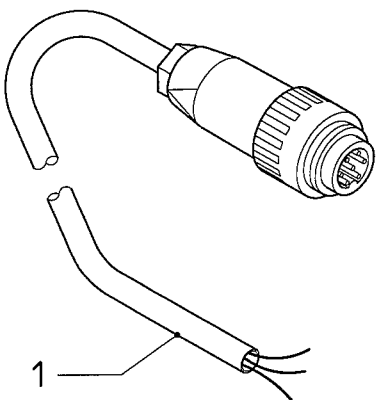
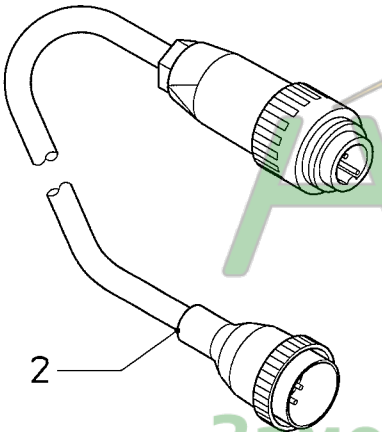
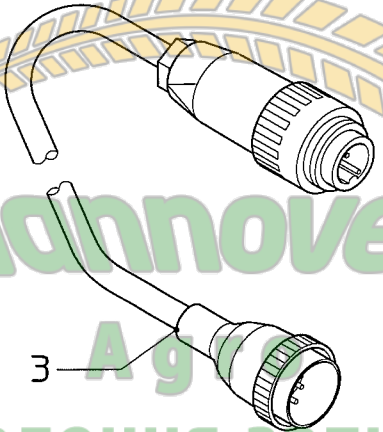
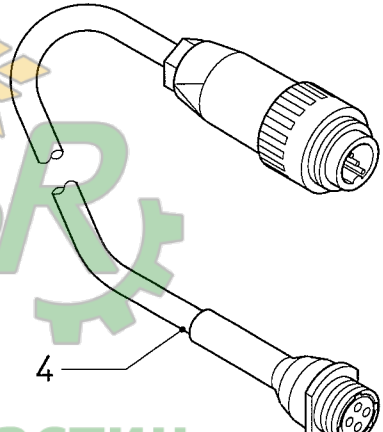
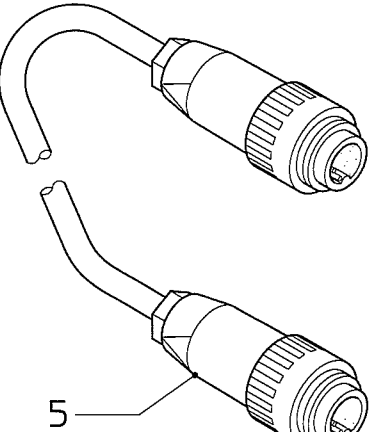


X = 3,5 mm

Y = 10,5 mm

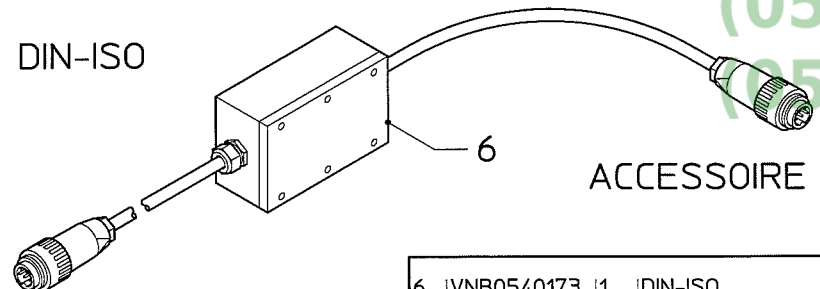
1	VNB1517586	1	∅350
2	VNB2928086	2	∅420

CABLE FOR RADAR SENSOR TRACTOR

SELF-MADE	DATATRONIC-1	DATATRONIC-2	DICKEY JOHN	DIN-ISO
<p>ACCESSOIRE</p> 	<p>ACCESSOIRE</p> 	<p>ACCESSOIRE</p> 	<p>ACCESSOIRE</p> 	<p>ACCESSOIRE</p> 

1 | IVNB0303973 | 1 | Self-made 2 | IVNB0305873 | 1 | Datatronic-1(MF) 3 | IVNB0385273 | 1 | Datatronic-2(MF) 4 | IVNB0305973 | 1 | Dickey John 5 | IVNB0386773 | 1 | DIN-ISO

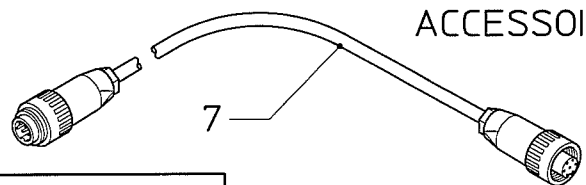
DIN-ISO



ACCESSOIRE

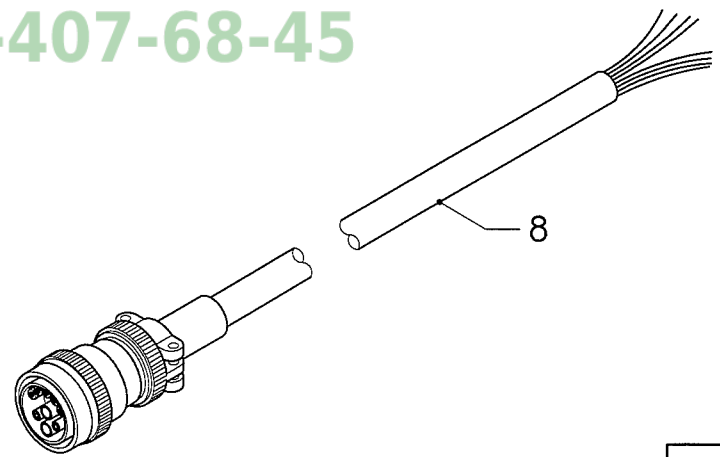
6 | IVNB0540173 | 1 | DIN-ISO

DIN-ISO



ACCESSOIRE

7 | IVNB0391073 | 1 | DIN-ISO/1,5m



8 | IVNB0253473 | 1 | ISO-L=6 m

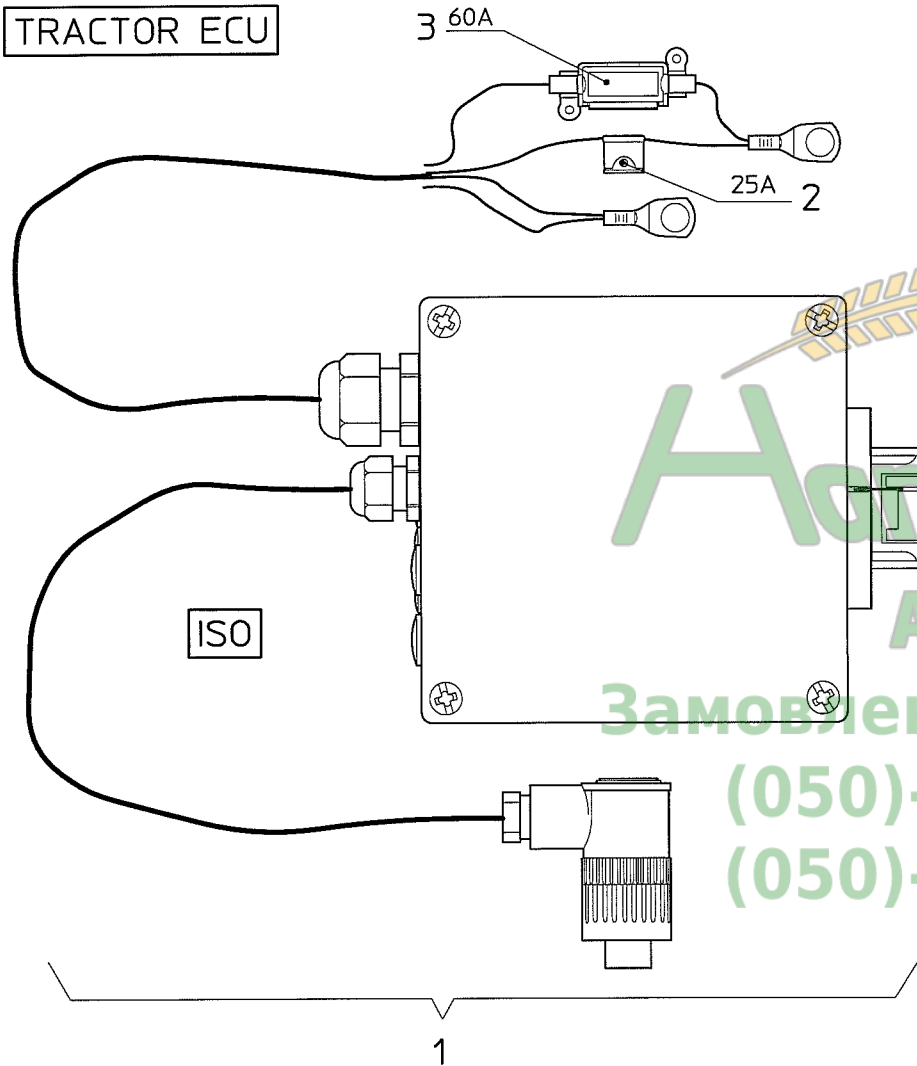
Annover
 Agency
 Заповнення запчастин
 (050)-407-68-47
 (050)-407-68-45

serial number 77405

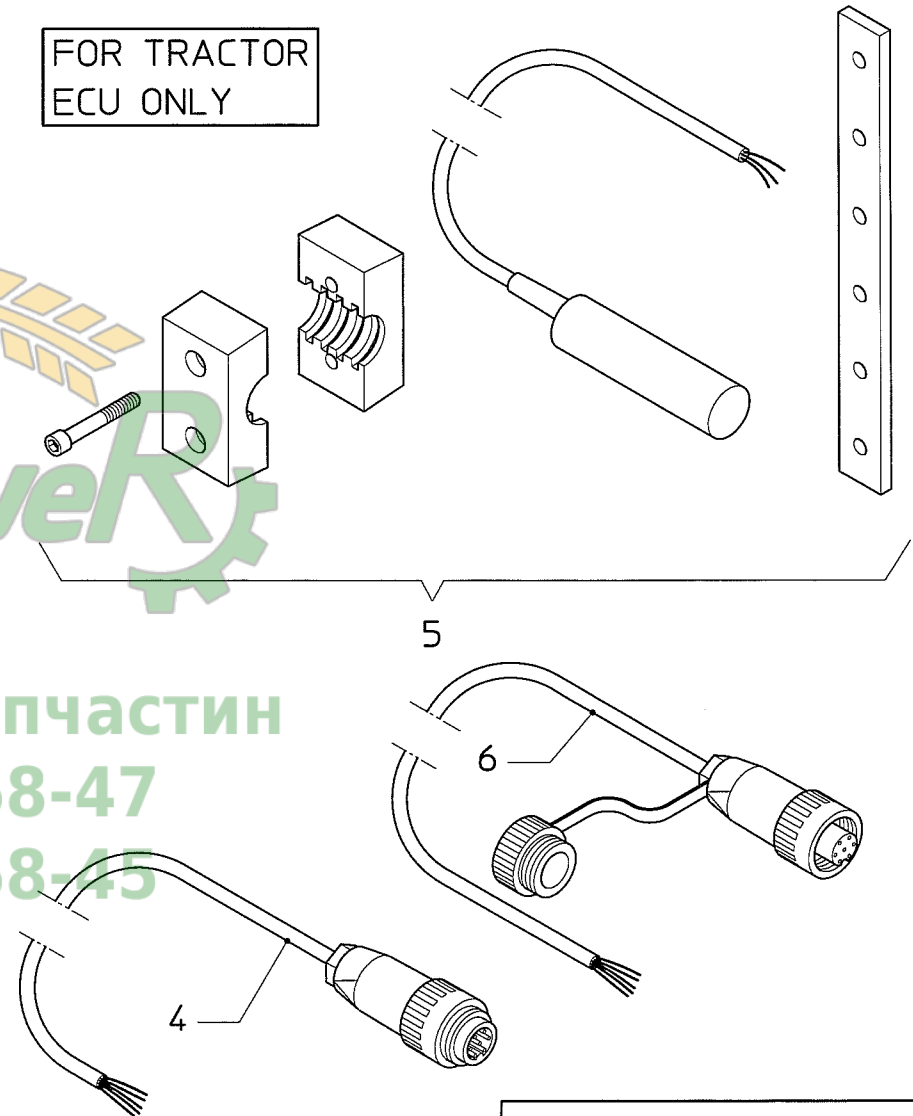
E9

RO-EDW

TRACTOR ECU



FOR TRACTOR ECU ONLY



Замовлення запчастин
 (050)-407-68-47
 (050)-407-68-45

bestelnummer
 ordernumber
 num. a commander
 Bestellnummer

1	VN79730385	1	tractor ECU
2	VNB0064273	1	25A
3	VNB0162473	1	60A

ACCESSOIRE

ISO

ACCESSOIRE

bestelnummer
 ordernumber
 num. a commander
 Bestellnummer

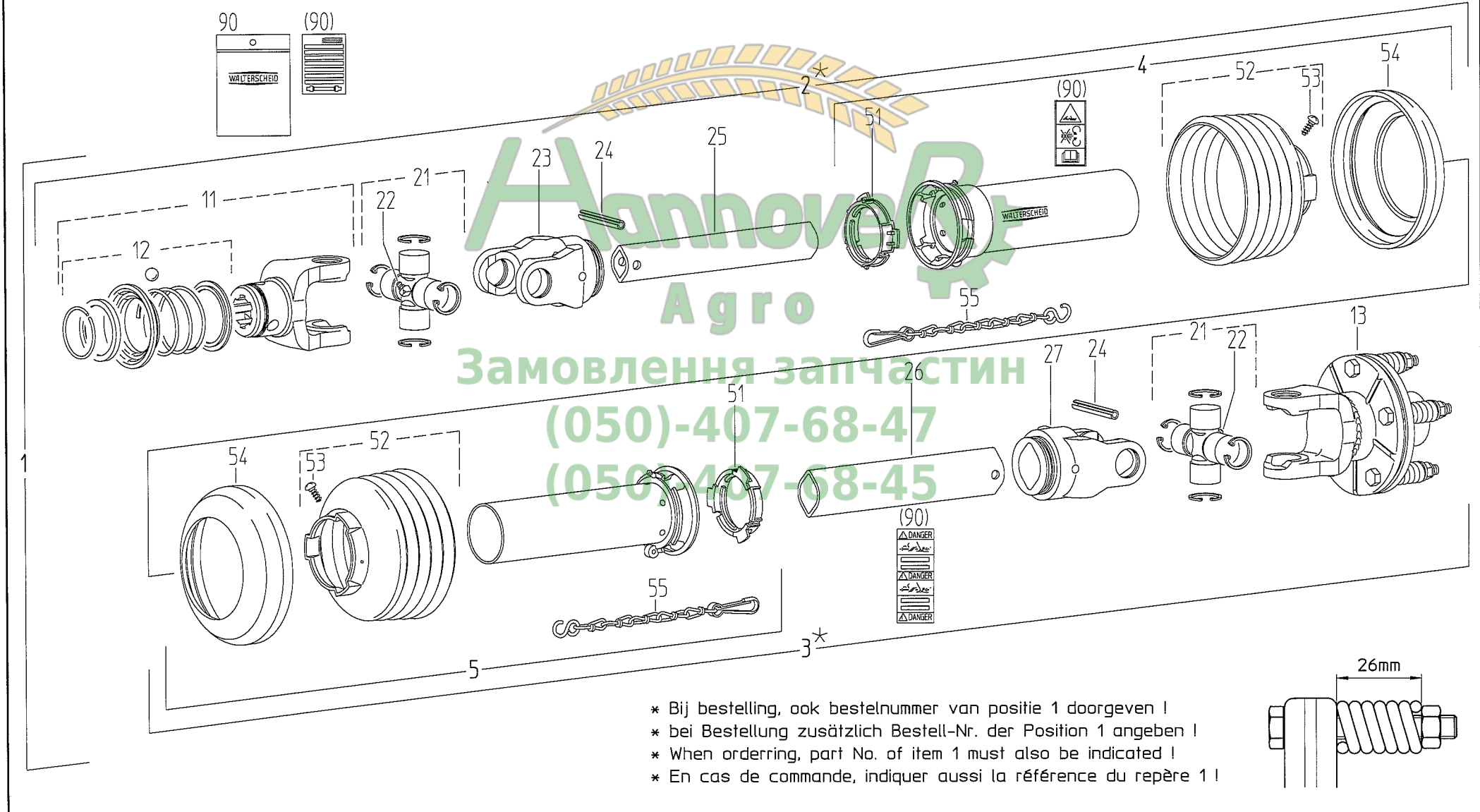
4	VNB0255673	1	L=3000
5	VNB0553973	1	L=6500
6	VNB0266773	1	L=500

serial number 77405

C1

RO-EDW

1	Walterscheid VN46120092	W100E-SD05-910-K94/1	11	VG10.83.40	AZG2100-1 3/8*(6)	24	VG61.04.01	ISO8752-8x50	53	VG365305	3,5x9,5
2	*	WH2100-SD05-856	12	VGagraset 173		25	VG75.02.15	00c-800	54	VG83.10.03	
3	*	WH2100-SD05-841-K94/1	13	VG56.117.19	K94/1-2100-1 3/8*(6)ZV-M=400Nm	26	VG75.06.15	0a-800	55	VG82.36.03	
4	VG85.005	SDH05-A1000-850506-K	21	VG10.01.00		27	VG10.49.00	RG2100-0a	90	VGagraset 207l.	
5	VG85.004	SDH05-J1000-850506-K	22	VG63.27.00	BM8x1	51	VG83.09.01				
			23	VG10.48.00	RG2100-00a	52	VG85.05.06	n=RP6			



serial number 77405

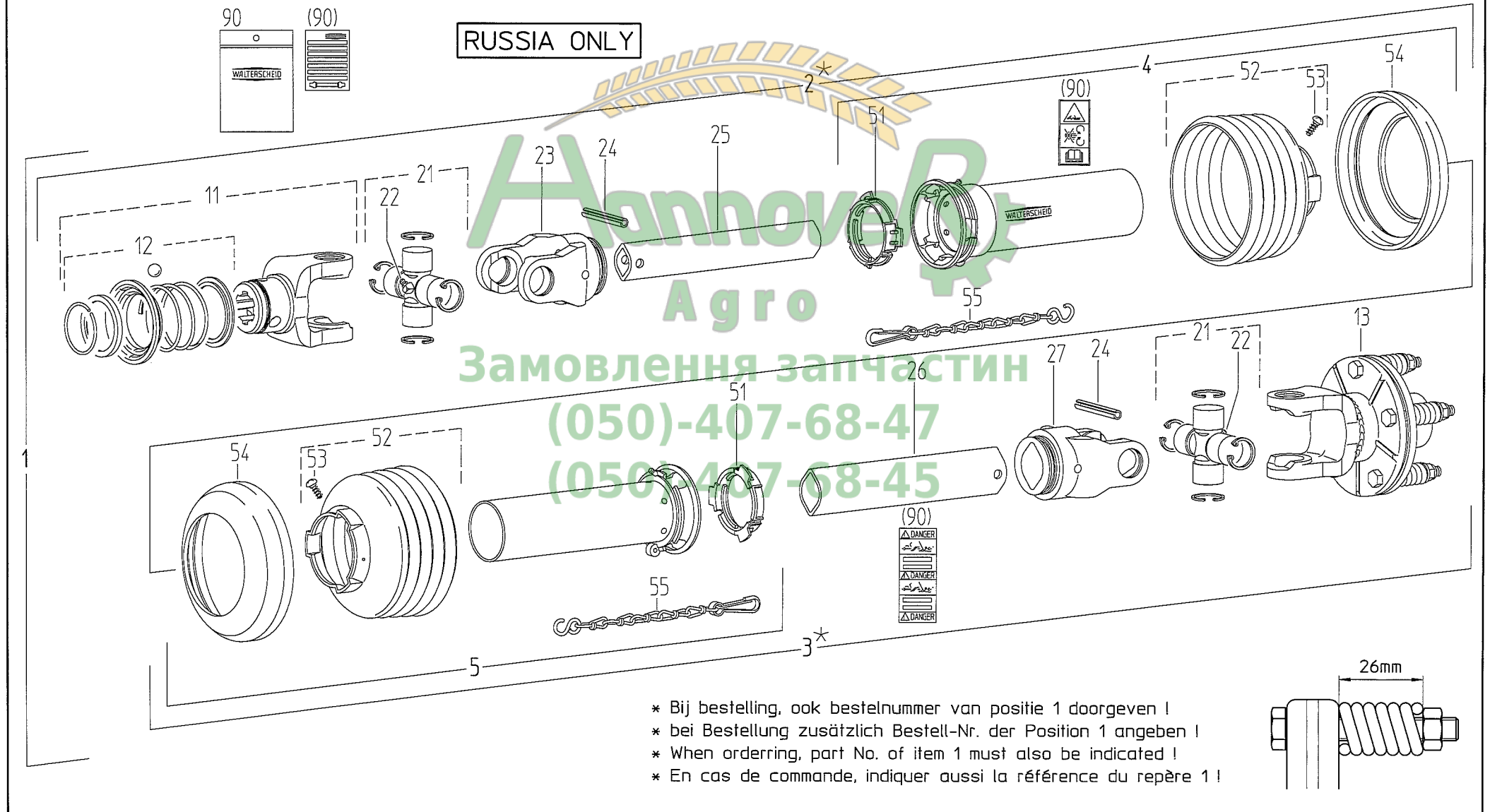
C2

RO-EDW

Walterscheid		11	VG10.83.34	ASGE2100-8x32x38	24	VG61.04.01	ISO8752-8x50	53	VG365305	3,5x9,5
1	VN46120096	W100E-SD05-910-K94/1	12	VGagraset 174	25	VG75.02.15	00c-800	54	VG83.10.03	
2	*	WH2100-SD05-856	13	VG56.117.19	26	VG75.06.15	0a-800	55	VG82.36.03	
3	*	WH2100-SD05-841-K94/1	21	VG10.01.00	27	VG10.49.00	RG2100-0a	90	VGagraset 207.	
4	VG85.005	SDH05-A1000-850506-K	22	VG63.27.00	51	VG83.09.01				
5	VG85.004	SDH05-J1000-850506-K	23	VG10.48.00	52	VG85.05.06	n=RP6			

RUSSIA ONLY

Заповнення запчастин
(050)-407-68-47
(050)-407-68-45



- * Bij bestelling, ook bestelnummer van positie 1 doorgeven !
- * bei Bestellung zusätzlich Bestell-Nr. der Position 1 angeben !
- * When orderring, part No. of item 1 must also be indicated !
- * En cas de commande, indiquer aussi la référence du repère 1 !

NUMERICAL INDEX / NUMMERN-VERZEICHNIS / INDEX NUMERIQUE / NUMERIEKE INDEX / INDICE DE NUMEROS

1 RO-EDW

Part no. Teile-nr. No. de ref. Onderd. nr. Nom. de pza	Page: 01 Selle Page Pagina Pagina	Part no. Teile-nr. No. de ref. Onderd. nr. Nom. de pza	Page: 02 Selle Page Pagina Pagina	Part no. Teile-nr. No. de ref. Onderd. nr. Nom. de pza	Page: 03 Selle Page Pagina Pagina	Part no. Teile-nr. No. de ref. Onderd. nr. Nom. de pza	Page: 04 Selle Page Pagina Pagina	Part no. Teile-nr. No. de ref. Onderd. nr. Nom. de pza	Page: 05 Selle Page Pagina Pagina	Part no. Teile-nr. No. de ref. Onderd. nr. Nom. de pza	Page: 06 Selle Page Pagina Pagina	Part no. Teile-nr. No. de ref. Onderd. nr. Nom. de pza	Page: 07 Selle Page Pagina Pagina
KG00397100	E05	KG00870000	D06	KG01257600	E05	VG75.06.15	C01	VN30116090	E04	VN79730444	D13	VNB0253373	D01
KG00399800	D04	KG00871700	E06	KG01257800	D06	VG75.06.15	C02	VN30117100	D04	VN79730470	D01	VNB0253473	E08
KG00402500	E04	KG00872200	E06	KG01257800	D07	VG82.36.03	C01	VN30117100	D06	VN79730470	D15	VNB0255673	E09
KG00402800	E04	KG00945900	D06	KG01257800	E01	VG82.36.03	C02	VN30117100	D08	VN79730476	D01	VNB0261573	D01
KG00433200	D03	KG01044900	D06	KG01257800	E04	VG83.09.01	C01	VN30117100	E04	VN79730476	D02	VNB0266773	E09
KG00493700	E02	KG01053800	D06	KG01263800	D09	VG83.09.01	C02	VN30130800	D04	VN79730476	D03	VNB0268173	D01
KG00494900	D02	KG01053800	D08	KG01263900	D04	VG83.10.03	C01	VN30130800	D05	VN79730476	D06	VNB0303973	E08
KG00495200	D02	KG01059600	D02	KG01263900	D08	VG83.10.03	C02	VN30130800	D06	VN79750027	E04	VNB0304073	E06
KG00496800	D02	KG01059700	E03	KG01263900	E01	VG85.004	C01	VN30163250	D01	VN79750037	E04	VNB0305873	E08
KG00496800	D04	KG01069700	D09	KG01263900	E03	VG85.004	C02	VN30163500	E02	VN79760240	E06	VNB0305973	E08
KG00496900	E03	KG01069700	E02	KG01263900	E05	VG85.005	C01	VN31419016	E04	VN79760241	E06	VNB0326573	E06
KG00496900	E05	KG01069800	D02	KG01263900	E06	VG85.005	C02	VN31419900	E04	VN79770079	D04	VNB0341273	D09
KG00497100	D02	KG01069800	D06	KG01264000	D07	VG85.05.06	C01	VN31903304	D02	VN79770080	D04	VNB0374873	D01
KG00497200	D04	KG01069800	E02	KG01264000	E04	VG85.05.06	C02	VN36107317	D06	VN79770082	D04	VNB0385273	E08
KG00497200	E05	KG01069900	D02	KG01264100	D04	VGAGRASET 173	C01	VN36112005	D05	VN79770216	D05	VNB0386773	E08
KG00497600	D03	KG01069900	D03	KG01283000	D05	VGAGRASET 174	C02	VN36112032	D05	VN79770655	E01	VNB0391073	E08
KG00498700	D06	KG01069900	D04	KG01283300	D05	VGAGRASET 207	C01	VN38820161	E04	VN79770713	E05	VNB0430273	E06
KG00498700	D07	KG01069900	D05	KG01421400	D05	VGAGRASET 207	C02	VN38854081	E04	VN79770753	D16	VNB0446473	D02
KG00498800	D05	KG01069900	D08	RG00040217	E02	VGTR1010	C16	VN38854581	E04	VN79770763	E02	VNB0450173	E04
KG00499500	D06	KG01069900	E01	RG00050664	D04	VGTR2005	C16	VN46120092	C01	VN79770765	E01	VNB0489473	D01
KG00500800	D04	KG01069900	E05	VG10.01.00	C01	VGTR2011	C16	VN46120096	C02	VN79770766	E03	VNB0522373	D03
KG00501000	D01	KG01069900	E06	VG10.01.00	C02	VGTR2015	C16	VN48520010	D09	VN79770793	E04	VNB0540173	E08
KG00501000	D04	KG01070000	D06	VG10.48.00	C01	VGTR2023	C16	VN48523002	D09	VN80504001	D02	VNB0547873	D01
KG00501200	D01	KG01070000	D07	VG10.48.00	C02	VGTR2023	E02	VN48523121	D09	VN80504001	D03	VNB0548173	D15
KG00562400	D05	KG01070000	E04	VG10.49.00	C01	VGTR2039	C16	VN70003641	E04	VN80504001	D06	VNB0553973	E09
KG00565700	D05	KG01070000	E05	VG10.49.00	C02	VGTR2059	C16	VN70006955	D04	VN80504001	D09	VNB0554173	D06
KG00583000	D16	KG01070100	D01	VG10.83.34	C02	VGTR2059	E04	VN70009704	D10	VN80504003	D09	VNB0563673	D01
KG00652900	E01	KG01070100	D04	VG10.83.40	C01	VN10256607	D04	VN70009704	D13	VN80504003	E04	VNB0566173	D06
KG00654300	D08	KG01070300	E04	VG365305	C01	VN10256608	D04	VN70009781	E05	VN90007711	E04	VNB0682993	D04
KG00714100	D09	KG01076900	D09	VG365305	C02	VN10256609	D04	VN70009824	E03	VN90070600	E01	VNB0765193	D01
KG00738100	D06	KG01107862	D05	VG56.117.19	C01	VN10256610	D04	VN70009827	D16	VN90083444	E04	VNB0765393	E05
KG00738100	E02	KG01188262	D04	VG56.117.19	C02	VN10256611	D04	VN70009829	E02	VN90090190	D06	VNB0870178	D01
KG00739400	D02	KG01188562	D04	VG61.04.01	C01	VN10256612	D04	VN70009846	E01	VN90090191	D04	VNB0897393	D01
KG00739400	D08	KG01191862	D04	VG61.04.01	C02	VN17856588	D04	VN70009851	E04	VNB0064273	E09	VNB0903374	C16
KG00739500	E01	KG01192162	D04	VG63.27.00	C01	VN17856588	E03	VN79730309	D15	VNB0066573	D10	VNB1060002	D05
KG00747600	D06	KG01257400	D02	VG63.27.00	C02	VN17856588	E04	VN79730385	E09	VNB0066573	D13	VNB1063478	D09
KG00747600	D07	KG01257600	D02	VG75.02.15	C01	VN30101145	D04	VN79730439	D15	VNB0162473	E09	VNB1082102	D05
KG00747600	E02	KG01257600	E01	VG75.02.15	C02	VN30116090	D06	VN79730444	D10	VNB0251373	D09	VNB1100802	E02

NUMERICAL INDEX / NUMMERN-VERZEICHNIS / INDEX NUMERIQUE / NUMERIEKE INDEX / INDICE DE NUMEROS

1 RO-EDW

Part no. Teile-nr. No. de ref. Onderd. nr. Nom. de pza	Page: 08 Selle Page Pagina Pagina	Part no. Teile-nr. No. de ref. Onderd. nr. Nom. de pza	Page: 09 Selle Page Pagina Pagina	Part no. Teile-nr. No. de ref. Onderd. nr. Nom. de pza	Page: 10 Selle Page Pagina Pagina	Part no. Teile-nr. No. de ref. Onderd. nr. Nom. de pza	Page: 11 Selle Page Pagina Pagina	Part no. Teile-nr. No. de ref. Onderd. nr. Nom. de pza	Page: 12 Selle Page Pagina Pagina
VNB1153493	E06	VNB3069178	E04	VNB3708094	E01	VNB4059402	D06	VNB4190502	D03
VNB1181374	C16	VNB3281778	E04	VNB3708174	E02	VNB4060978	D06	VNB4190602	D03
VNB1181374	D05	VNB3317278	D06	VNB3717802	D05	VNB4061702	D06	VNB4190702	D03
VNB1194874	C16	VNB3317378	D06	VNB3770294	E05	VNB4061978	D06	VNB4190994	E03
VNB1194874	D05	VNB3322594	D06	VNB3788693	D04	VNB4063078	D06	VNB4191094	E04
VNB1306893	E04	VNB3326978	D07	VNB3788893	D04	VNB4063178	D06	VNB4191494	E04
VNB1310474	C16	VNB3352774	C16	VNB3843994	E05	VNB4064878	D04	VNB4191794	E04
VNB1380878	E05	VNB3352774	D09	VNB3844094	E05	VNB4064978	D04	VNB4192002	E04
VNB1402486	E05	VNB3352874	C16	VNB3872902	D15	VNB4065078	D04	VNB4194694	E04
VNB1504678	E04	VNB3352874	D09	VNB3876594	E05	VNB4069802	D05		
VNB1517586	E06	VNB3358794	D01	VNB3876694	E05	VNB4069902	D05		
VNB1517586	E07	VNB3388365	D05	VNB3910902	D04	VNB4070073	D03		
VNB1593593	D04	VNB3388402	D05	VNB3957302	D06	VNB4073178	D06		
VNB1599786	D01	VNB3391393	D04	VNB3957402	D06	VNB4077378	D06		
VNB1599986	D01	VNB3414002	D05	VNB3957502	D06	VNB4077502	D05		
VNB1612474	C16	VNB3414102	D05	VNB3958278	D06	VNB4077602	D05		
VNB1709302	D05	VNB3428094	E03	VNB3967598	D06	VNB4077702	D05		
VNB1754278	D05	VNB3443478	E01	VNB3967698	D06	VNB4077802	D05		
VNB1843002	D06	VNB3454502	E04	VNB3969702	D06	VNB4078294	E03		
VNB1843002	E04	VNB3507502	E04	VNB3969802	D06	VNB4078394	E01		
VNB1907978	E05	VNB3511494	D02	VNB3970002	D06	VNB4078402	E01		
VNB2003102	D02	VNB3559902	D06	VNB3984186	D16	VNB4078594	E01		
VNB2003294	D02	VNB3588378	D04	VNB4014778	D16	VNB4078694	E01		
VNB2003302	D02	VNB3588478	D04	VNB4014802	D16	VNB4079778	E01		
VNB2068778	D07	VNB3602694	E01	VNB4014902	D16	VNB4085194	E02		
VNB2092402	E01	VNB3602794	E01	VNB4023502	D05	VNB4086094	E02		
VNB2235978	D06	VNB3603194	E01	VNB4042498	D06	VNB4086794	E02		
VNB2332694	D01	VNB3603394	E01	VNB4042598	D06	VNB4105274	C16		
VNB2336686	D03	VNB3603594	E01	VNB4042702	D06	VNB4105474	C16		
VNB2417578	D04	VNB3603602	E01	VNB4052086	D04	VNB4105774	C16		
VNB2417602	D04	VNB3640594	E04	VNB4052286	D07	VNB4105874	D04		
VNB2426674	D02	VNB3657978	D04	VNB4052402	D04	VNB4162794	D07		
VNB2559578	D01	VNB3658078	D04	VNB4052694	D07	VNB4187786	D01		
VNB2760978	D07	VNB3658178	D04	VNB4052794	D07	VNB4189694	D08		
VNB2760978	E02	VNB3658278	D04	VNB4053074	C16	VNB4190102	D08		
VNB2822600	C16	VNB3658378	D04	VNB4053474	D16	VNB4190202	D02		
VNB2928086	E06	VNB3707494	E01	VNB4058493	D03	VNB4190302	D02		
VNB2928086	E07	VNB3707994	E01	VNB4058593	D03	VNB4190402	D03		





Замовлення запчастин

(050)-407-68-47

(050)-407-68-45



RO-EDW/ISO

1146 ≥Mach ID



**Kverneland Group Nieuw-Vennep B.V.
Hoofdweg 1278
NL-2153 LR Nieuw-Vennep
The Netherlands**

Замовлення запчастин

(050)-407-68-47

(050)-407-68-45

© Kverneland group

All rights reserved. No part of this book may be reproduced, stored in a database or retrieval system, or published in any form or in any way, electronically, mechanically, optically, by print, photo print, microfilm (including micro and macro fiche), or any other means, including all video and CD systems, without prior written permission from the publisher.

