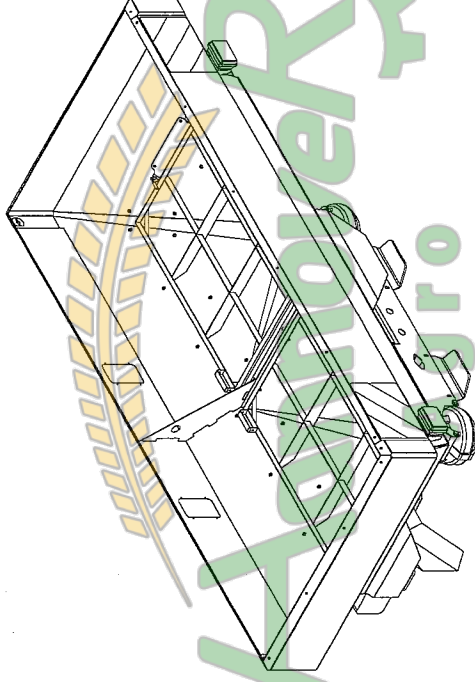


ACCORD



ЗАМОВЛЕННЯ ТА ЧАСТИНИ
(050)-407-68-47
(050)-407-68-45

Spare parts manual

Article number: 70009648

Production year: 2003
Effective: 1001 ≥Mach ID
Prod. Series nr: 77425



Агро

Замовлення запчастин

(050)-407-68-47

(050)-407-68-45

AANHAALMOMENTEN/TORQUES/ANZUGSMOMENTE/COUPLES DE SERRAGE/PARES DE APRIETE/ I MOMENTI TORCENTI/ÄDRAGNINGSMOMENT/MOMENTER/ TIL TREKKINGSMOMENTER

- NL** Richtlijnen voor aanhaalmomenten (in Nm) voor zelfborgende moeren, zeskantbouten en moeren. **GB** Directives for torques (in Nm) for self-locking nuts, hexagonal bolts and nuts.
D Richtlijnen für Anzugsmomente (in Nm) für selbstsichernde Muttern, Sechskantschrauben und muttern. **F** Directives relatives aux couples de serrage (en Nm) pour les écrous à auto-blocage, les boulons à six et les écrous.
ES Directrices para los pares de apriete (en Nm) para tuercas autobloccantes, tornillos hexagonales y tuercas. **I** Linee guida riguardanti i momenti torcenti (espressi in Nm) per dadi autobloccanti, bulloni esagonali e dadi.
S Riktlinjer för ädragningsmoment (i Nm) för självlåsand bolter, sexkantsskruvar och muttrar. **DK** Retningslinjer for momenter (i Nm) for selvlåsende møtrikker, hexagon bolte og møtrikker.
N Retningslinjer for tiltrækkingsmomenter (i Nm) for selvlåsende møtrikker, sekskantsskruer og mutre.

KWALITEIT/QUALITY/QUALITAT QUALITÉ/CALIDAD/QUALITA/KVALITET	4.6	8.8	10.9	12.9
Wrijving/Friction/Reibung/Frottement/ Fricción/Frizione/Friction/Friksjon *	0,10	0,13	0,10	0,13
Schroefdraad/Thread/Gänga/Størrelse/ Gjenger				
M5	1,7	2	7	10
M6	3	4	13	18
M8	8	9	31	42
M10	16	19	60	85
M12	27	32	105	145
M14	42	50	165	230
M16	65	76	260	350
M18	90	110	350	490
M20	125	150	500	700
M22	170	200	670	930
M24	210	250	860	1180

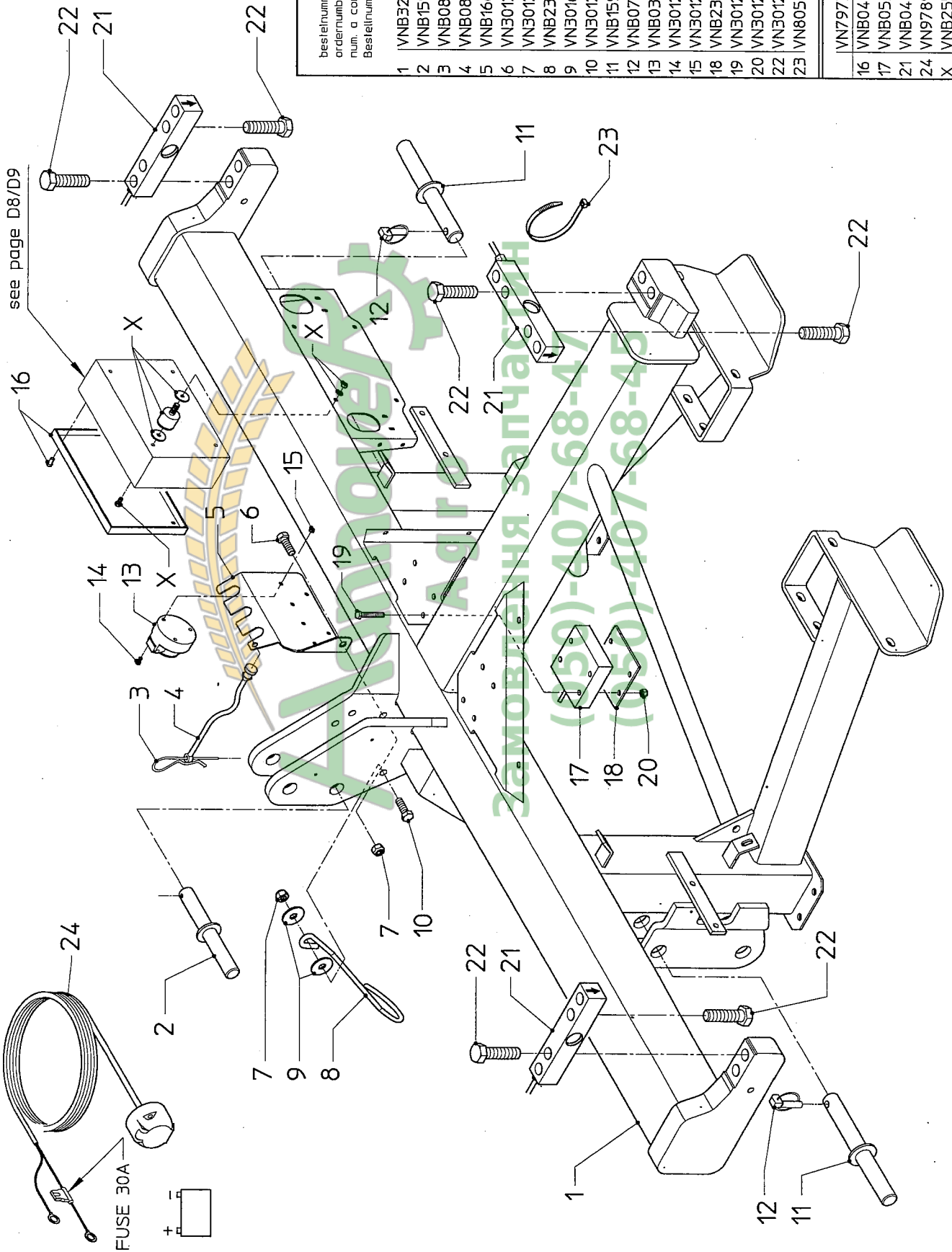
- * **NL** De wrijvingscoëfficiënt van 0,10 geldt voor geoliede plaat, glijzjer, geharde vlakken, vette schroefdraad, etc. De hogere waarde van 0,13 geldt voor een droge plaat. Uitzonderingen op deze tabel zijn vermeld in het onderdeel- en/of instructieboek. Aanhaalmomenten voor bouten en moeren met gekartelde onderkant, zoals Tensilock en Whizlock, 10% extra.
* **GB** The friction coefficient of 0.10 applies to oiled sheet, cast iron, hardened surfaces, greasy thread, etc. The higher value of 0.13 applies to dry sheet. Exceptions to this table are stated in the parts- and /or instruction manual. Torques for bolts and nuts with a knurled underside, like Tensilock and Whizlock, 10% extra.
* **D** Der Reibungskoeffizient von 0,10 gilt für geölte Flächen, Gleitisen, gehärtete Flächen, gefettetes Gewinde usw. Der höhere Wert von 0,13 gilt für trockene Flächen. Ausnahmen zu dieser Tabelle sind im Ersatzteilhft und/oder in der Betriebsanleitung. Anzugsmomente für Schrauben und Muttern mit gerändelter Unterseite, wie Tensilock und Whizlock, zuzüglich 10% extra.
* **F** Le coefficient de frottement de 0,10 s'applique aux surfaces huilées, à la fonte, aux surfaces trempées, aux filetages graissés etc. Le coefficient de 0,13 aux surfaces sèches. Les exceptions à se tableau sont mentionnées dans la nomenclature des pièces et/ou dans le manuel d'emploi. Ajoutez 10% pour les boulons et écrous à partie inférieure crénelée, comme les Tensilock et les Whizlock.
* **ES** El coeficiente de fricción de 0,10 es indicado para planchas lubricadas, rosca granitosa, etc. El valor más alto de 0,13 es para planchas secas. Las excepciones a este cuadro se mencionan en el libro de repuestos y/o manual de instrucciones. Los pares de apriete para tornillos y tuercas con cara inferior dentada, como los Tensilock y Whizlock, 10% extra.
* **I** Il coefficiente di frizione pari a 0,10 si riferisce a superfici oliate, alla ghisa, a superfici temprate, a filettature spesse ecc. Il valore più alto, pari a 0,13, si riferisce a superfici asciutte. Tutte le eccezioni a quanto riportato in questa tabella, si trovano nel libretto delle istruzioni. I momenti torcenti per bulloni e dadi la cui parte inferiore è zigrinata, come i Tensilock (K 100) e Whizlock, sono superiori del 10%.
* **S** Friktionskoefficienten 0,10 gäller oljad plåt, gjutjärn, härdade ytor, smorda gängor etc. Det högre värdet 0,13 gäller torr plåt. Undantag från denna tabell anges i reservdels- och/eller instruktionsboken.
* **DK** Ådragningsmoment for råffladede bolter og muttre, som Tensilock og Whizlock 10% extra.
* **DK** Friktionskoefficienten på 0,10 gælder for smurte flader, støbejern, hærdede overflader, fedtholdige gevind etc. Den højere værdi på 0,13 gælder for tørre flader. Undtagelser til tabellen er angivet i reservdels- og/eller instruktionsbog. Når det drejer sig om momenter for bolte og møtrikkers med en riflet underside, som Tensilock (K100) og Whizlock, skal der tilføjes 10% ekstra.
* **N** Friktionskoeffisienten på 0,10 gjelder for smurt plate, støbejern, herdede flater, innfettete gjenger etc. Den høyere verdien på 0,13 gjelder for tørr plate. Unntak fra denne tabellen er angitt i deleboken og/eller i instruksjonsboken. Tiltrækkingsmomenter for skruer og mutre med riflet underkant, som Tensilock (K100) og Whizlock 10% tillegg.

serial number 77425

D1

EXACTA TL

see page D8/D9



bestelnnummer
ordernummer
num. a commander
Bestellnummer

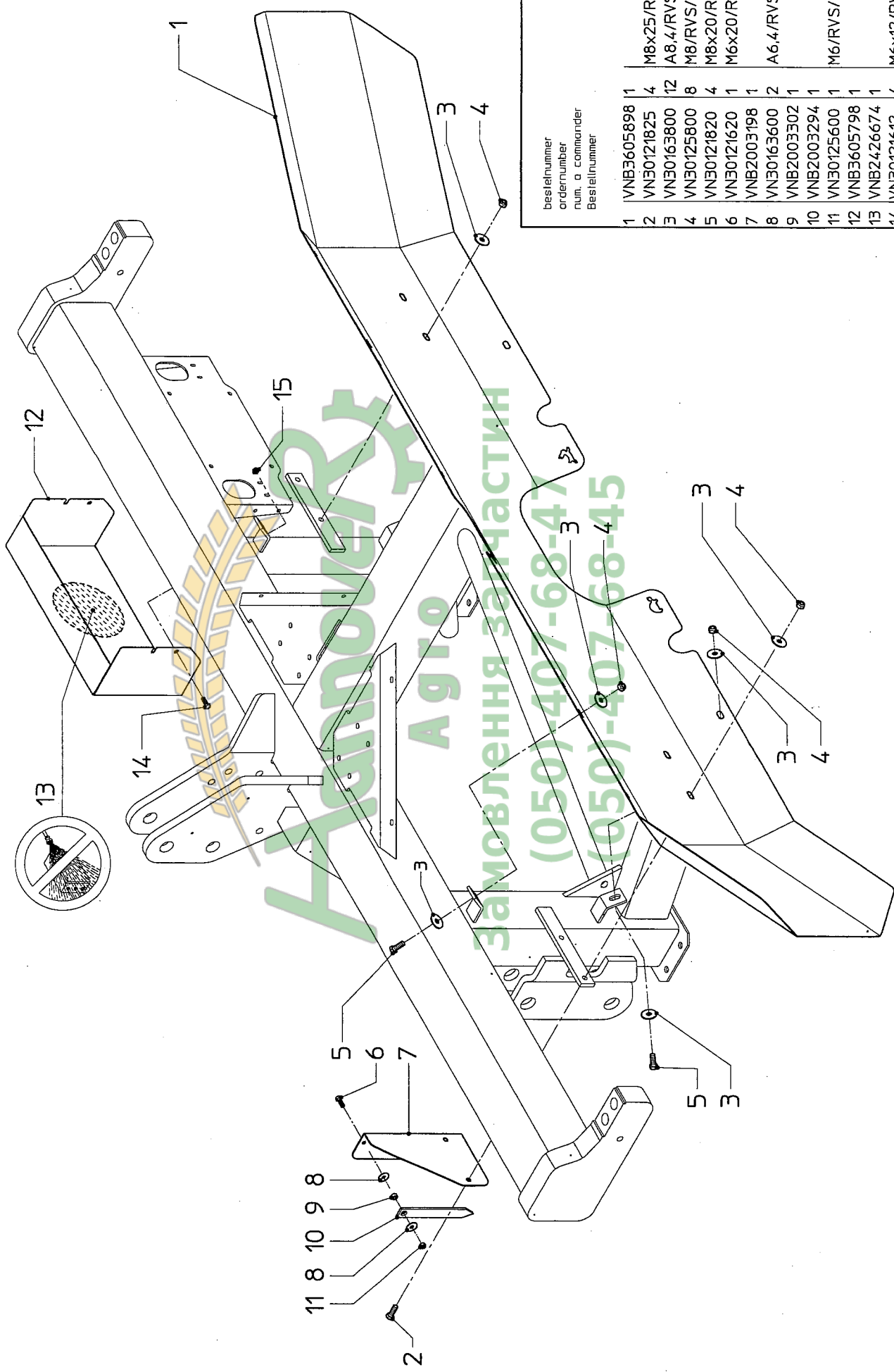
1	VNB3240994	M12x35/RVS
2	VNB1599794	M12/RVS/Nyloc
3	VNB0897393	13/RVS
4	VNB0870178	M12x45/RVS
5	VNB1665294	
6	VN30121235	
7	VN30125120	
8	VNB2332694	
9	VN30163250	
10	VN30121245	
11	VNB1599994	
12	VNB0765193	
13	VNB0341273	
14	VN30127535	M5x35/RVS
15	VN30125500	M5/RVS/Nyloc
18	VNB2336686	
19	VN30121850	M8x50/RVS
20	VN30125800	M8/RVS/Nyloc
22	VN30121975	M20x75/RVS
23	VN80504001	365x7,8

VN9730397X	1
VNB0489473	1
VNB0522373	1
VNB0446573	3
VN97896548	1
VNB2559578	4
X	4,5m

serial number 77425

D2

EXACTA TL

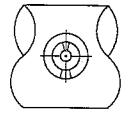


bestelnummer ordernumber num. o commander Bestelnummer		M8x25/RVS	A8.4/RVS	M8/RVS/Nyloc	M8x20/RVS	M6x20/RVS	A6.4/RVS	M6/RVS/Nyloc	M6x12/RVS	M6/RVS
1	VNB3605898	1								
2	VN30121825	4								
3	VN30163800	12								
4	VN30125800	8								
5	VN30121820	4								
6	VN30121620	1								
7	VNB2003198	1								
8	VN30163600	2								
9	VNB2003302	1								
10	VNB2003294	1								
11	VN30125600	1								
12	VNB3605798	1								
13	VNB2426674	1								
14	VN30121612	4								
15	VN30105600	4								

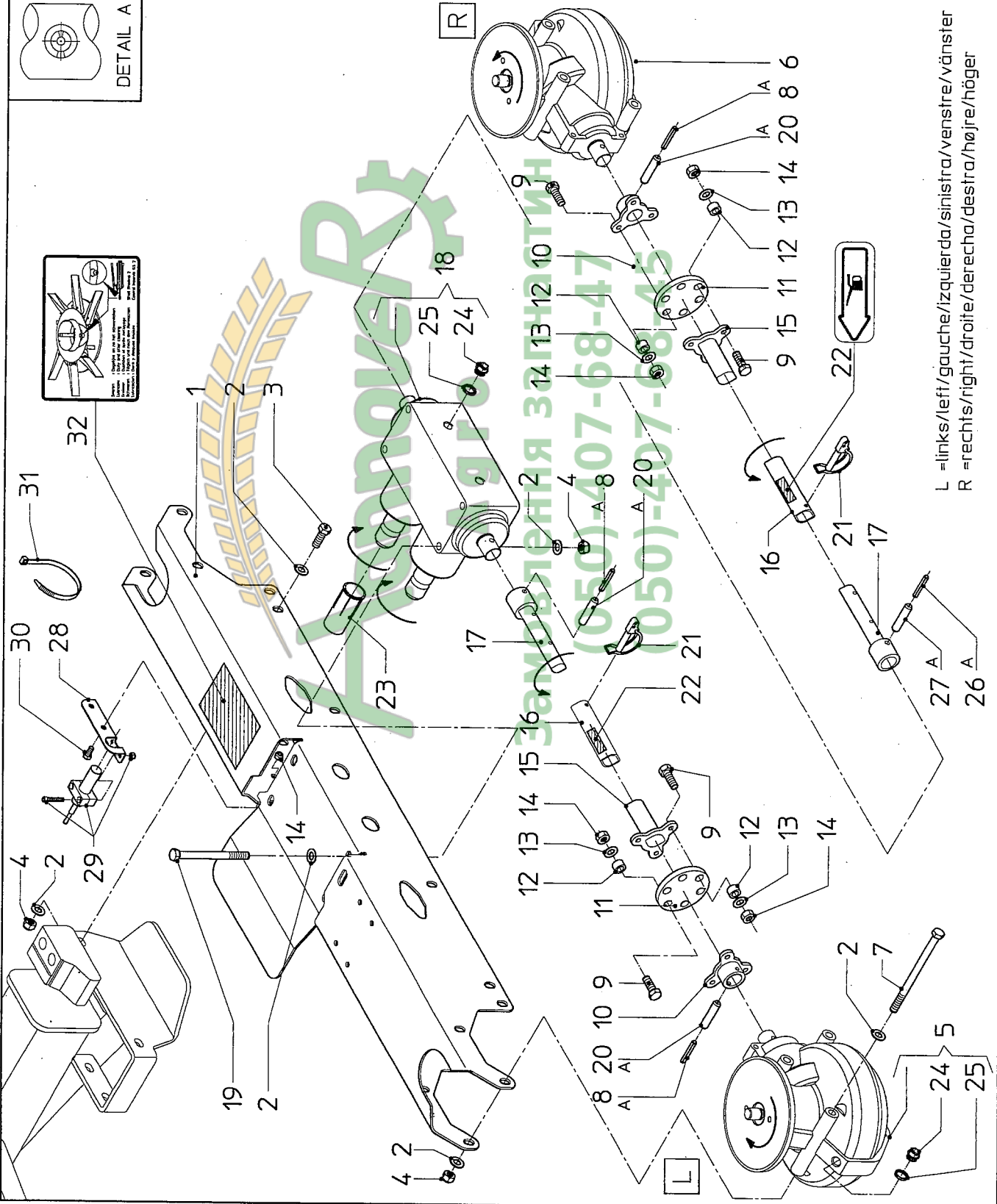
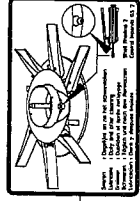
serial number 77425

D3

EXACTA TL



DETAIL A



bestelnummer
ordernumber
num. a commander
Bestelnummer

1	VNB3402194	1	13/RVS
2	VNB3011250	36	M12x35/RVS
3	VNB30121235	8	M12/RVS/Nylac
4	VNB30125120	18	L
5	VNB3251078	1	R
6	VNB3250878	6	M12x170/RVS
7	VNB30120271	3	5x40/RVS
8	VNB30103540	12	M8x30/RVS
9	VNB30121830	2	8,4/RVS
10	VNB1593594	2	M8/RVS/Nylac
11	VNB2417578	2	
12	VNB2417602	12	
13	VNB3011800	12	
14	VNB30125800	14	
15	VNB3395694	2	
16	VNB3391393	2	
17	VNB3395494	2	
18	VNB3250778	1	
19	VNB30120231	4	
20	VNB30103840	3	M12x130/RVS
21	VNB0682993	2	8x40/RVS
22	VNB90090191	2	
23	VNB3550678	1	
24	VNB3588378	6	
25	VNB3588478	6	
26	VNB30853560	1	5x60
27	VNB30853860	1	8x60
28	VNB3511494	1	
30	VNB30121816	2	
31	VNB0504001	3	M8x16/RVS
32	VNB3679274	1	365x7,8

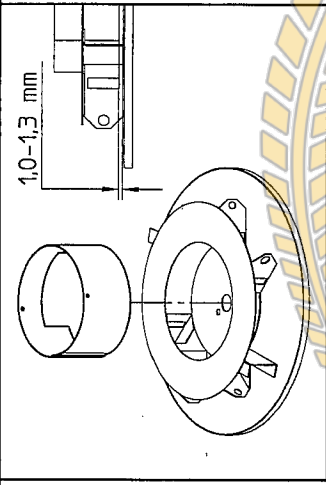
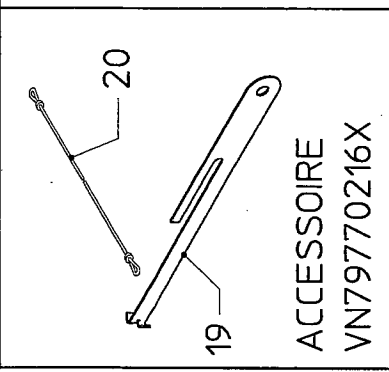
VN79730397X1	1	6,5m
VNB0430273	1	

L = links/left/gauche/izquierda/sinistra/venstre/vänster
R = rechts/right/droite/derecha/destra/højre/höger

serial number 77425

D4

EXACTA TL

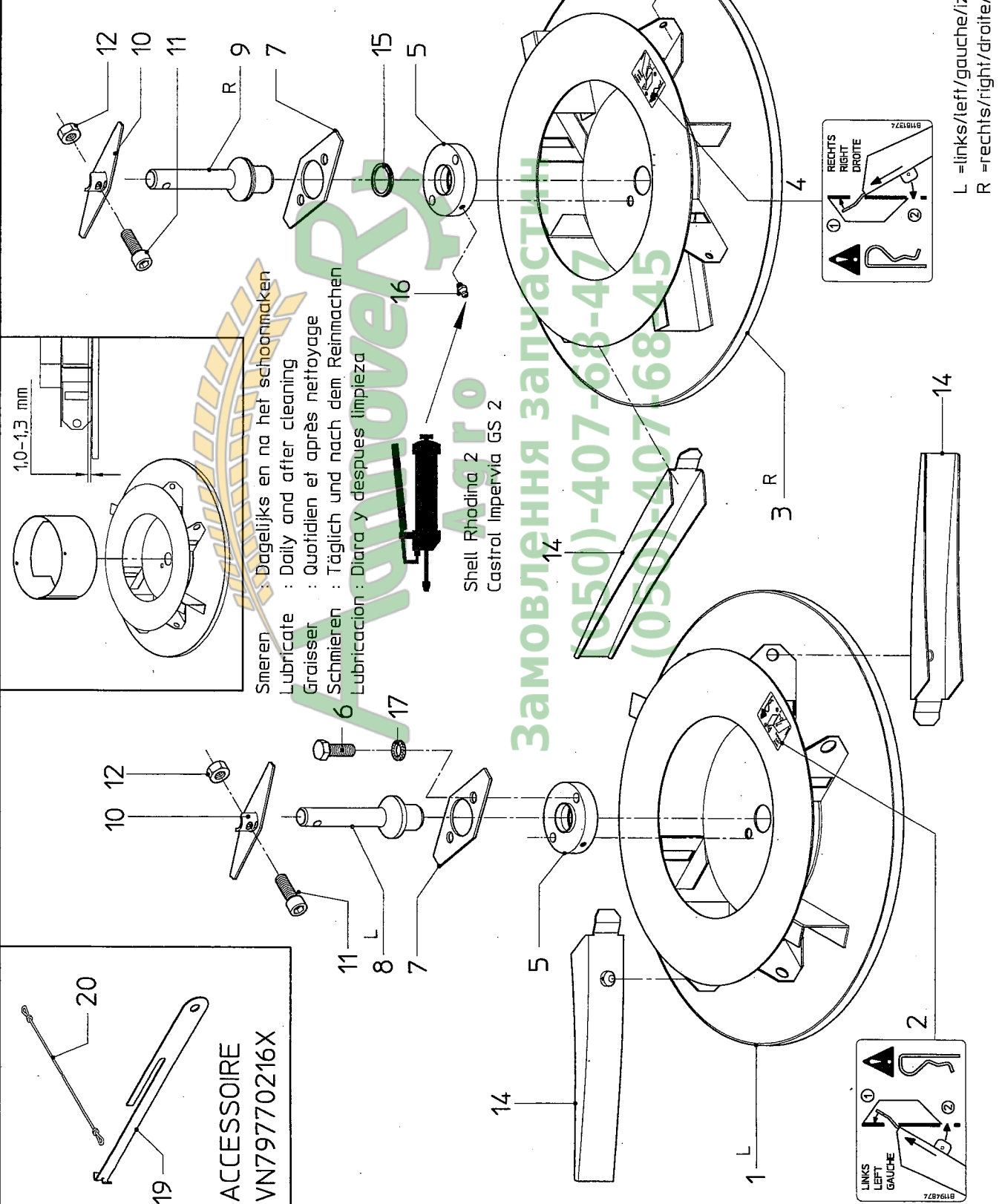


Smeren : Dagelijks en na het schoonmaken
 Lubricate : Daily and after cleaning
 Graisser : Quotidien et après nettoyage
 Schmierem : Täglich und nach dem Reinmachen
 Lubricacion : Diaria y despues limpiar



1	VNB3414002	1	L
2	VNB1194874	1	L
3	VNB3414102	1	R
4	VNB1181374	1	R
5	VNB3388394	2	M10x30/RVS
6	VN30121130	4	L
7	VNB3388402	2	R
8	VNB3388194	1	L
9	VNB3388294	1	R
10	VNB3404994	2	M8x35/RVS
11	VN30113835	2	MB/RVS/Nyloc
12	VN30125800	2	L=285
13	VNB1082102	12	V32A
14	VNB1060002	2	AM8x1/RVS
15	VN36112032	2	A10.5/RVS
16	VN30130800	2	
17	VN30164100	4	

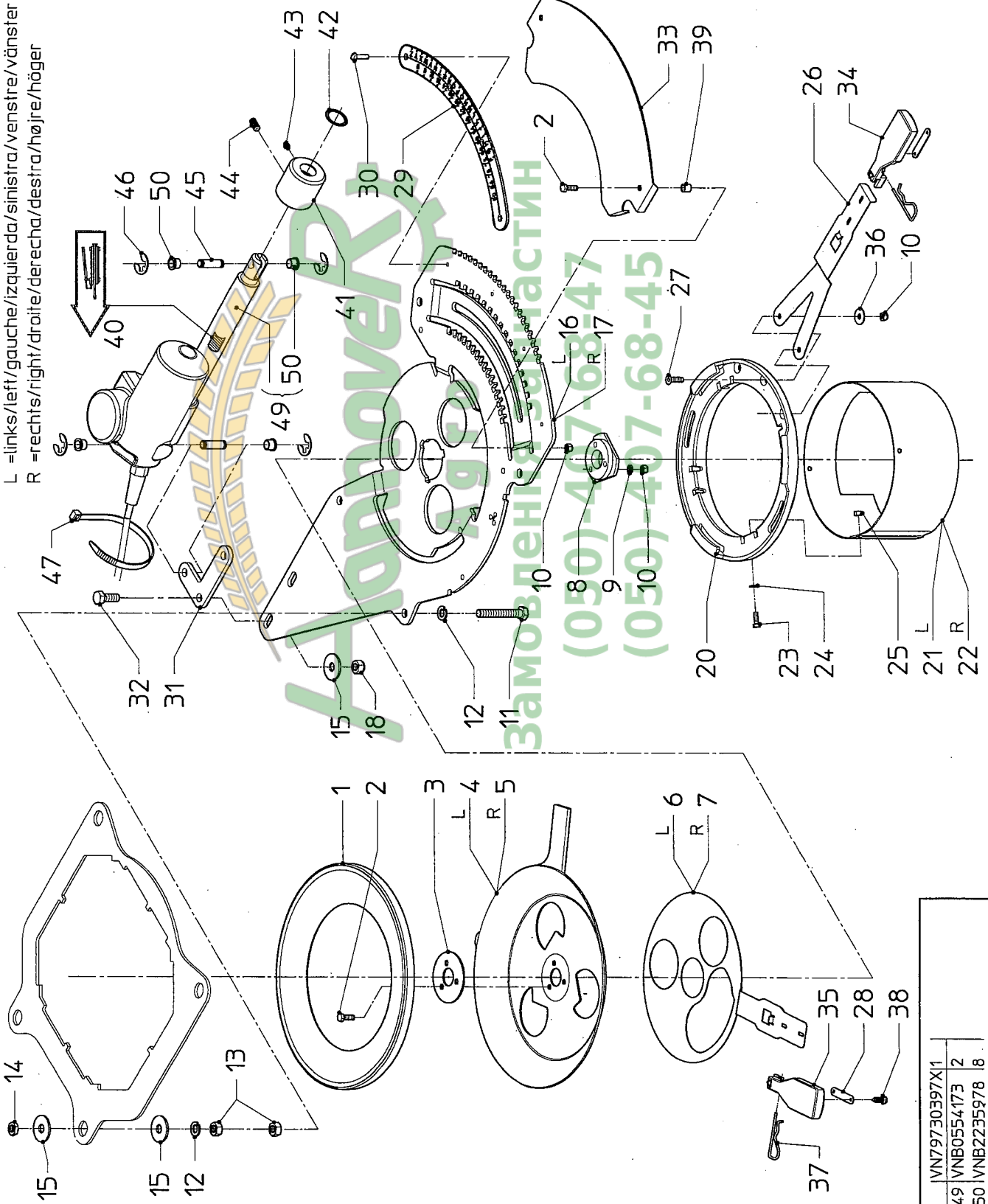
19	VN79770216X1	ACCESSOIRE
20	VNB1709302	1
20	VNB1754278	1



serial number 77425

D5

EXACTA TL



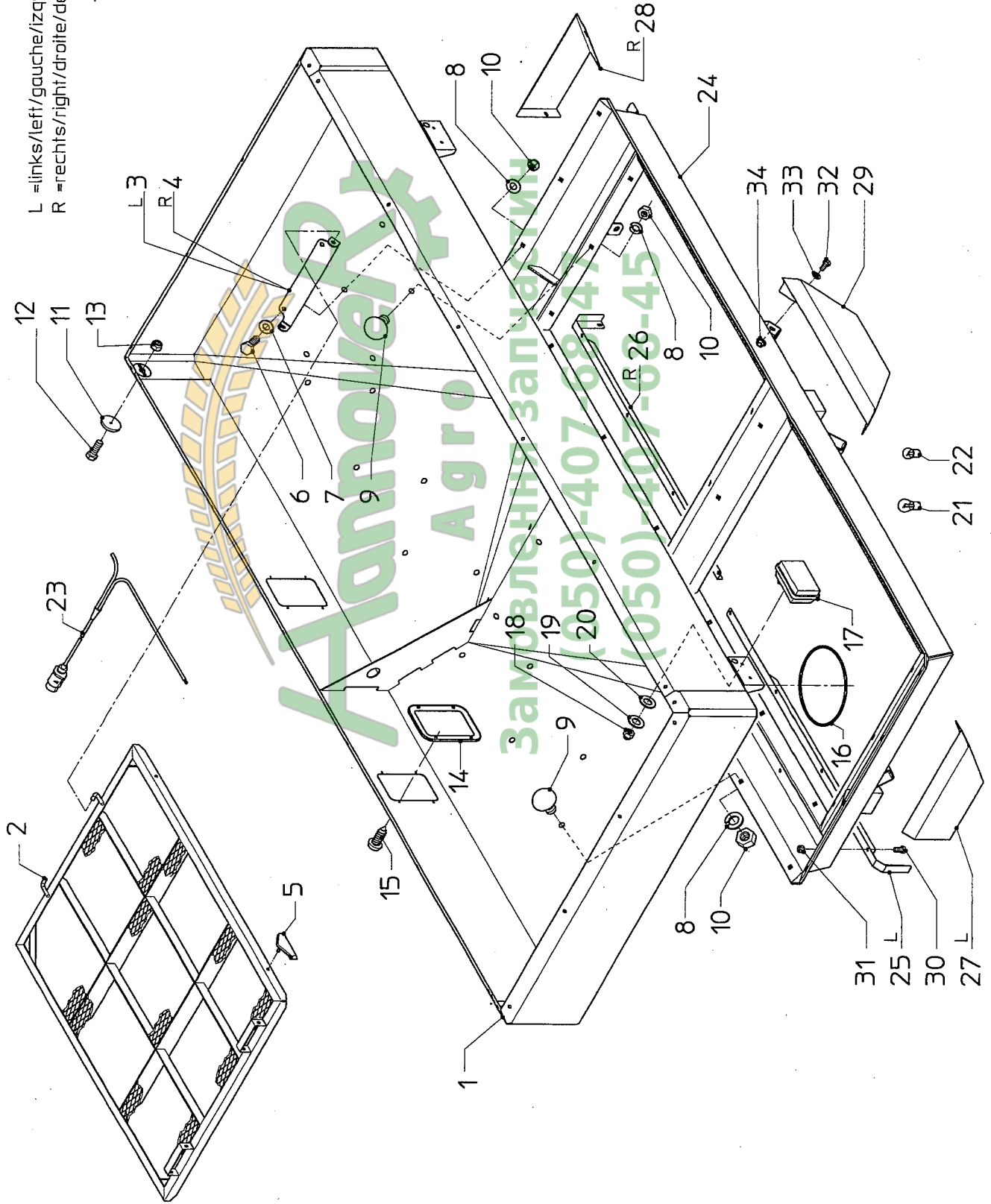
VN79730397X1	1
49 VNB0554173	2
50 VNB2235978	8

1	VNB3317278	12	M6x25/RVS
2	VN30121625	10	
3	VNB1578702	2	L
4	VNB3317702	1	R
5	VNB3317802	1	L
6	VNB3559702	1	R
7	VNB3559802	1	A6/RVS
8	VNB2544278	2	M6/RVS/Nyloc
9	VN3017600	6	M10x65/RVS
10	VN30125600	14	A10
11	VN30121165	16	M10/RVS
12	VN3017100	16	M10/RVS/Farm B
13	VN30161100	16	A10,5/RVS
14	VN30110100	8	L
15	VN30163100	16	R
16	VNB3322194	1	M5x16/RVS
17	VNB3322294	1	5,3/RVS
18	VN30125100	4	M5/RVS/Nyloc
19	VN301617078	2	M6x16/RVS
20	VNB3319102	1	L
21	VNB3319202	1	R
22	VN30127516	8	M5x16/RVS
23	VN3011500	8	5,3/RVS
24	VN30125500	8	M5/RVS/Nyloc
25	VNB3559602	2	M6x16/RVS
26	VN30126616	4	
27	VN30126616	4	
28	VNB3559902	4	
29	VNB3342278	2	4x8/RVS
30	VN30109004	8	
31	VNB3322594	2	M10x25/RVS
32	VN30121125	4	
33	VNB3415894	2	A6,4/RVS
34	VNB3559478	2	
35	VNB3559578	2	3,5x9,5/RVS
36	VN30163600	4	
37	VNB1082102	4	
38	VN30139309	8	
39	VNB3428602	4	
40	VN90090190	2	29,7x3,53
41	VNB3317378	2	M8x1/RVS
42	VNB36107317	2	M8x10/RVS
43	VN30130800	2	
44	VN30101810	2	
45	VNB1843002	4	9/RVS
46	VN30116090	8	
47	VNB80504003	12	200x4,7

serial number 77425

D6

EXACTA TL



L =links/left/gauche/izquierda/sinistra/venstre/vänster
 R =rechts/right/droite/derecha/destra/højre/höger

bestellnummer
 ordernummer
 num. o commander
 Bestellnummer

1	VNB3209394	1	L	M10x25/RVS
2	VNB3392094	2	R	10,5/RVS
3	VNB3596394	1		A10/RVS
4	VNB3596494	1		M10x20/RVS
5	VNB2068778	4		M10/RVS
6	VN30121125	4		M5x16/RVS
7	VN3011100	4		M5/RVS/Nyloc
8	VN30117100	48		3,5X9,5/RVS
9	VN30119120	44		M6/RVS
10	VN30161100	48		A6,4/RVS
11	VN37601016	2		12V/21W
12	VN30127516	2		12V/21-5W
13	VN30125500	2		
14	VNB2760978	2		
15	VN30139309	8		
16	VNB3326978	2		
17	VN48520010	2		
18	VN30191600	4		
19	VN3011600	4		
20	VNB1063478	4		
21	VN48523002	2		
22	VN48523121	2		
23	VNB0251373	1		
24	VNB3596694	1	L	M8x20/RVS
25	VNB3610398	1	R	M8/RVS/Nyloc
26	VNB3610498	1	L	M8x16/RVS
27	VNB3610198	1	R	8,4/RVS
28	VNB3610298	1		M8/RVS
29	VNB3610098	1		
30	VN30121820	8		
31	VN30125800	8		
32	VN30121816	6		
33	VN30111800	6		
34	VN30105800	6		

serial number 77425

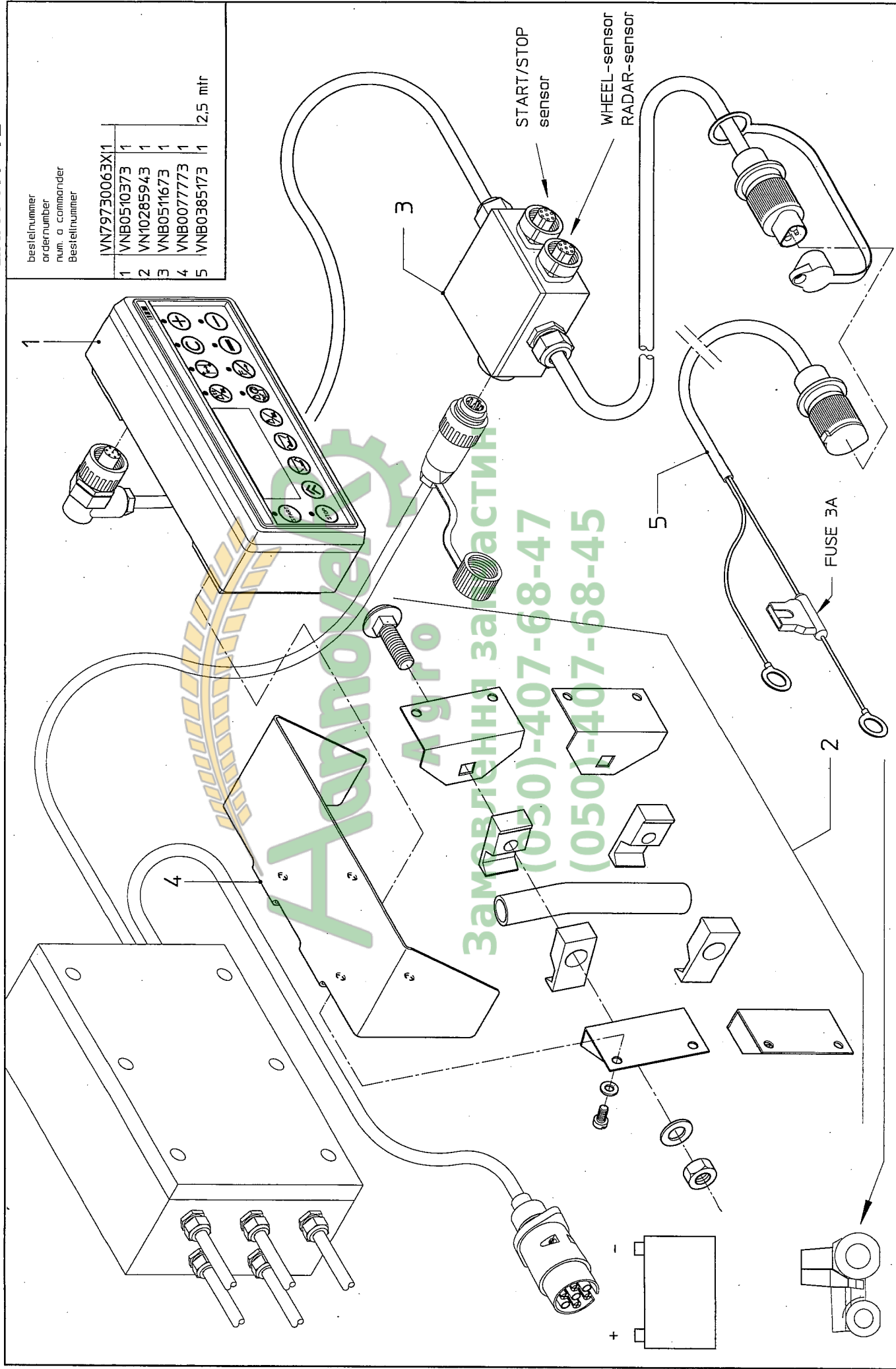
D7

EXACTA TL

bestelnummer
ordernumber
num. o commander
Bestellnummer

1	VN79730063X1	1
2	VNB0510373	1
3	VN10285943	1
4	VNB0511673	1
5	VNB0077773	1
	VNB0385173	1

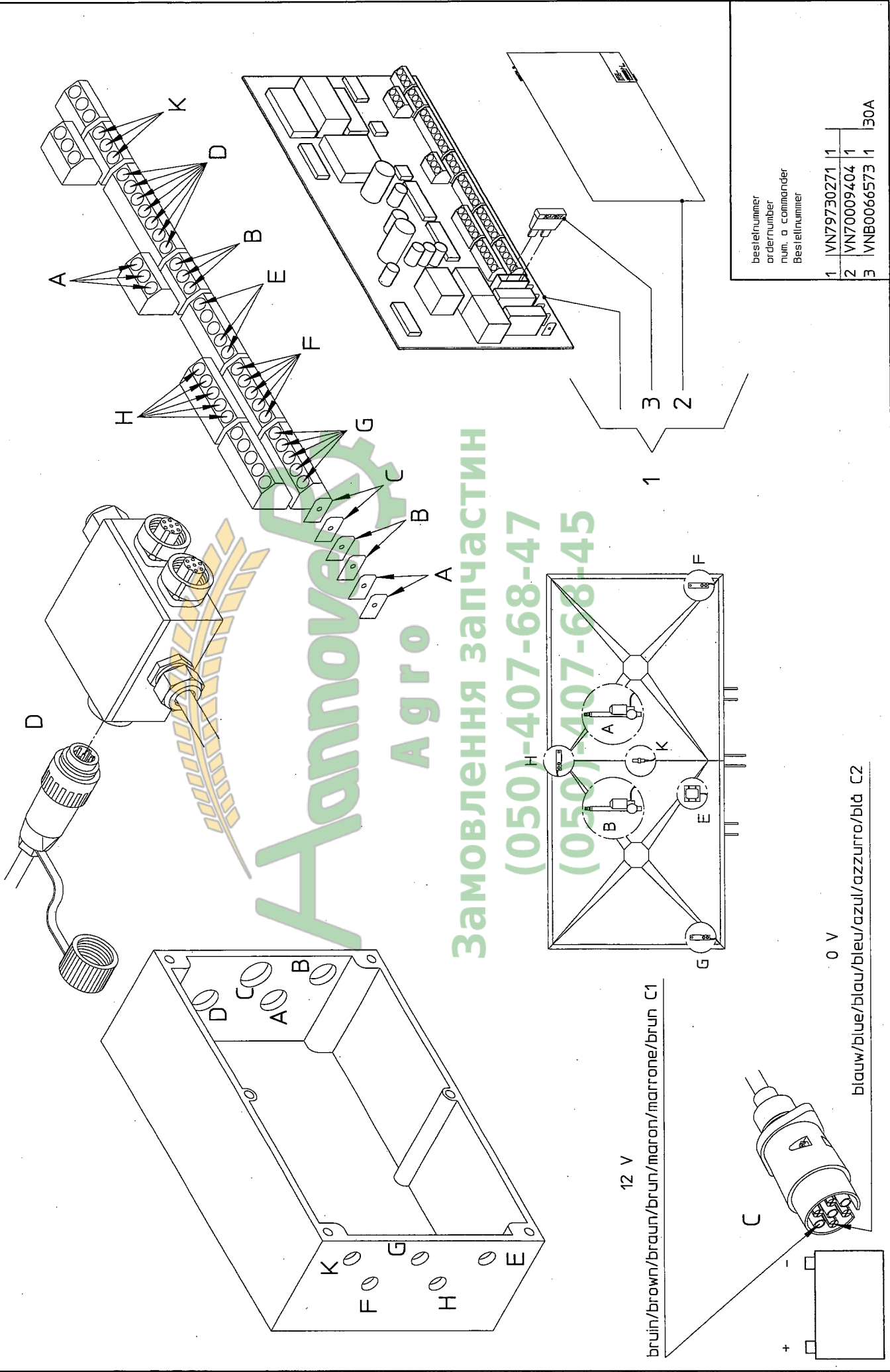
2.5 mitr



serial number 77425

D8

EXACTA TL



bestelnummer
ordernumber
num. a commander
Bestellnummer

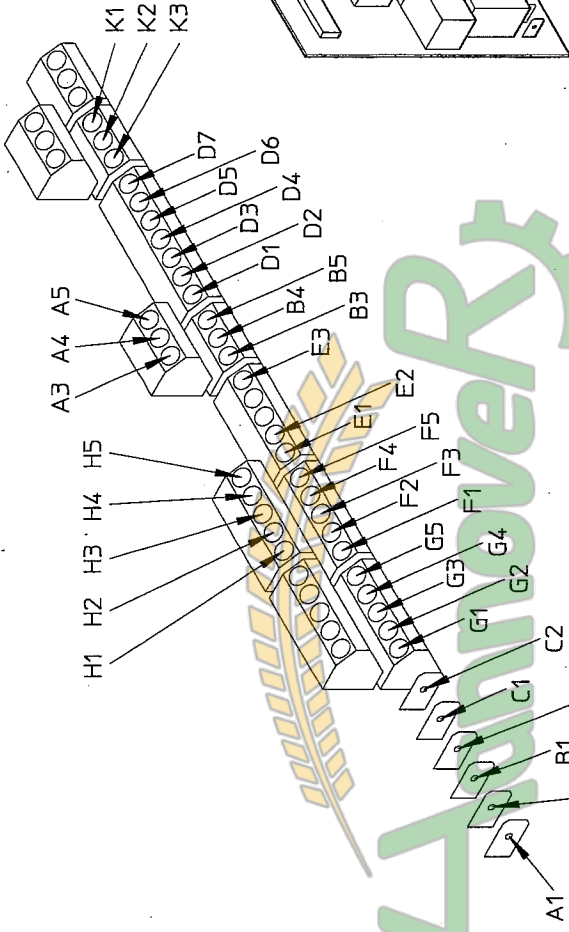
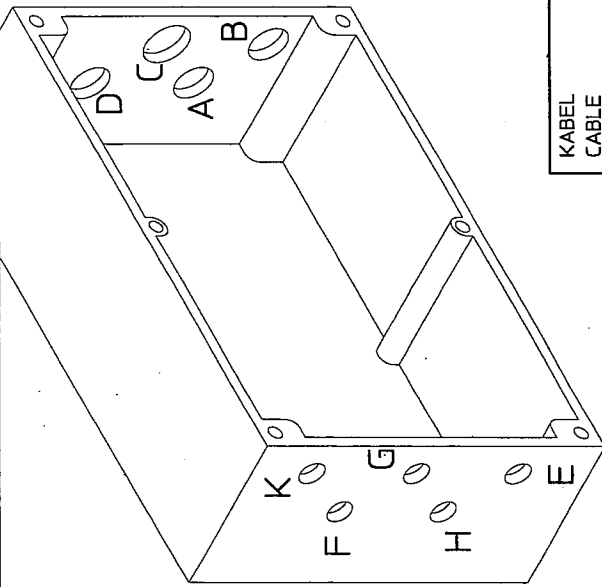
1	VN79730271	1
2	VN70009404	1
3	VNB0066573	1
		30A

70.009.648-12

serial number 77425

D9

EXACTA TL



KABEL
CABLE
CABLE
CAVO

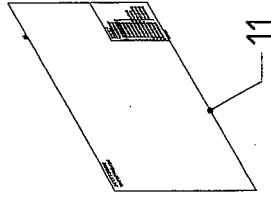
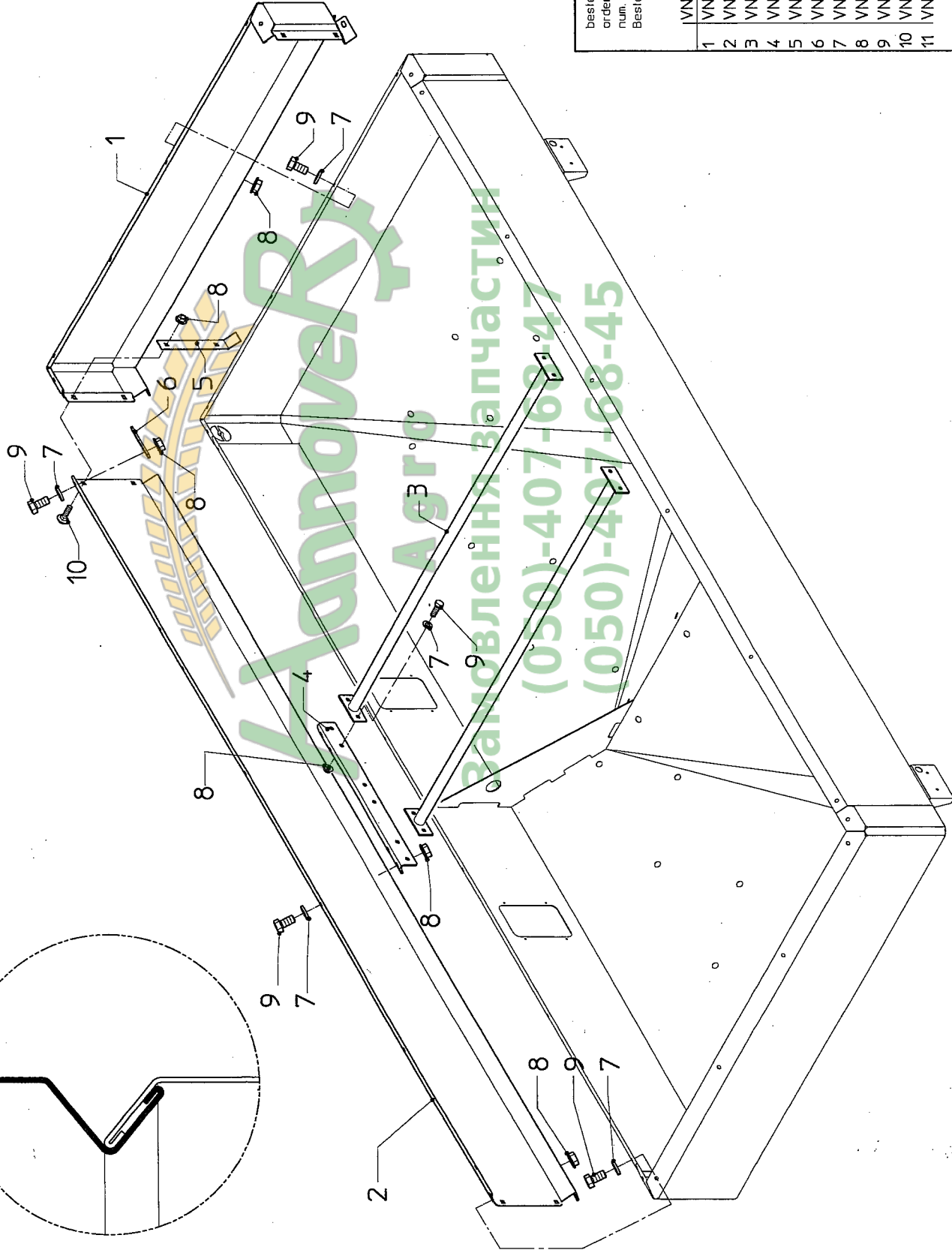
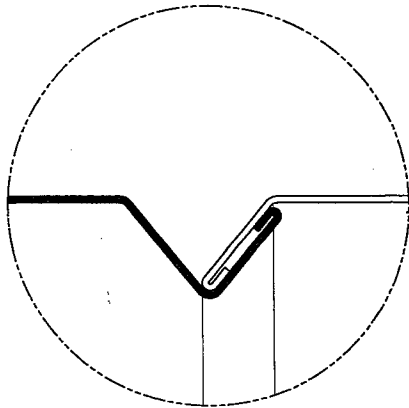
KLEUR	COLOR	FARBE	COULEUR	COLOR	COLORE	FARVE	FÄRGG
geel+rood	yellow+red	gelb+rot	jaune+rouge	amarillo+rojo	giallo+rosso	gul+röd	gul+röd
wit(orange)+groen	white(orange)+green	weiss(orange)+gruen	blanc(orange)+vert	blanco(naranja)+verde	bianco(arancia)+verde	hvid(orange)+grøn	wit(orange)+grøn
bruin	brown	braun	brun	maron	marrone	brun	brun
blauw	blue	blau	bleu	azul	azzurro	blå	blå
zwart	black	schwarz	noir	negro	nero	sort	svart
bruin	brown	braun	brun	maron	marrone	brun	brun
blauw	blue	blau	bleu	azul	azzurro	blå	blå
bruin	brown	braun	brun	maron	marrone	brun	brun
rood	red	rot	rouge	rojo	rosso	röd	röd
oranje	orange	orange	orange	naranja	arancia	orange	orange
geel	yellow	gelb	jaune	amarillo	giallo	gul	gul
groen	green	gruen	vert	verde	verde	grøn	grøn
blauw	blue	blau	bleu	azul	azzurro	blå	blå
zwart	black	schwarz	noir	negro	nero	svart	svart
bruin	brown	braun	brun	maron	marrone	brun	brun
zwart (geel/groen)	black (yellow/green)	schwarz (gelb/gruen)	noir (jaune/vert)	negro (amarillo/verde)	nero (giallo/verde)	svart (gul/grøn)	svart (gul/grøn)
blauw	blue	blau	bleu	azul	azzurro	blå	blå
rood	red	rot	rouge	rojo	rosso	röd	röd
groen	green	grun	vert	verde	verde	grøn	grøn
wit	white	weiss	blanc	blanco	bianco	hvid	wit
zwart	black	schwarz	noir	negro	nero	svart	svart
afscherming blauw	shielding blue	abschirmung blau	blindage bleu	blindaje azul	scudo azzurro	afskaermming blå	avskærmming blå
blauw	blue	blau	bleu	azul	azzurro	blå	blå
zwart	black	schwarz	noir	negro	nero	svart	svart
bruin	brown	braun	brun	maron	marrone	brun	brun

serial number 77425

D10

EXACTA TL

ACCESSOIRE
VN79770549X



bestelnummer
ordernumber
num. o commander
Bestellnummer

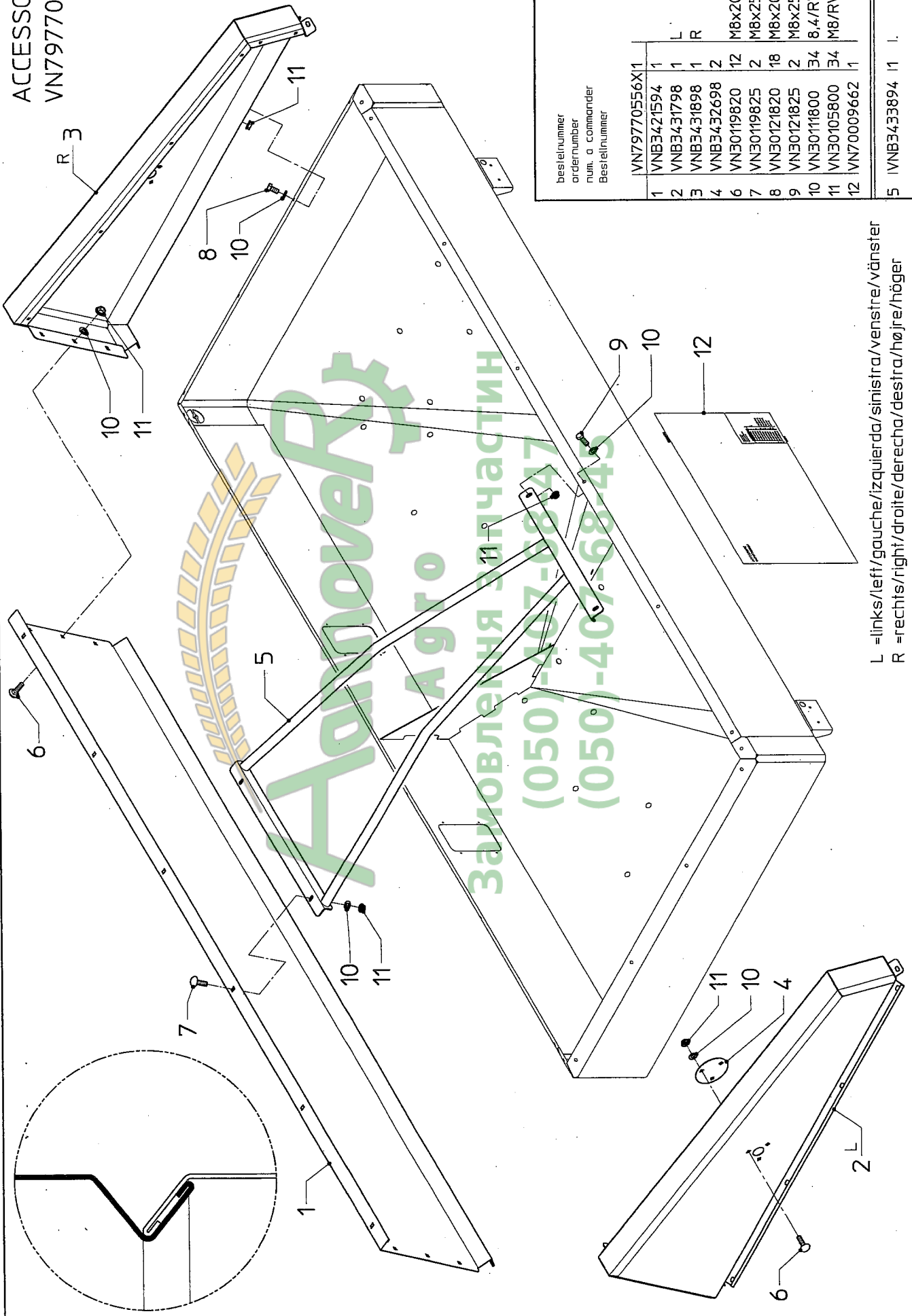
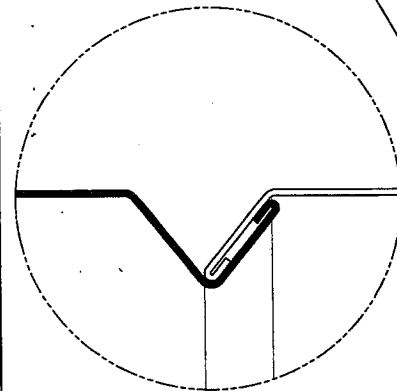
1	VN79770549X1	1
2	VNB3390894	2
3	VNB3390994	2
4	VNB3402694	2
5	VNB3402594	2
6	VNB3391094	4
7	VNB3440294	4
8	VN3011800	52
9	VN30105800	52
10	VN30121820	44
11	VN30119820	8
	VN70009651	1

8.4/RVS
M8/RVS
M8x20/RVS
M8x20/RVS

serial number 77425

D11

EXACTA TL



ACCESSOIRE
VN79770556X

bestelnummer
ordernumber
num. a commander
Bestellnummer

VN79770556X1			
1	VNB3421594	1	L
2	VNB3431798	1	R
3	VNB3431898	1	
4	VNB3432698	2	
6	VN30119820	12	M8x20/RVS
7	VN30119825	2	M8x25/RVS
8	VN30121820	18	M8x20/RVS
9	VN30121825	2	M8x25/RVS
10	VN3011800	34	8.4/RVS
11	VN30105800	34	M8/RVS
12	VN70009662	1	

L =links/left/gauche/izquierda/sinistra/venstre/vänster
R =rechts/right/droite/derecha/destra/højre/höger

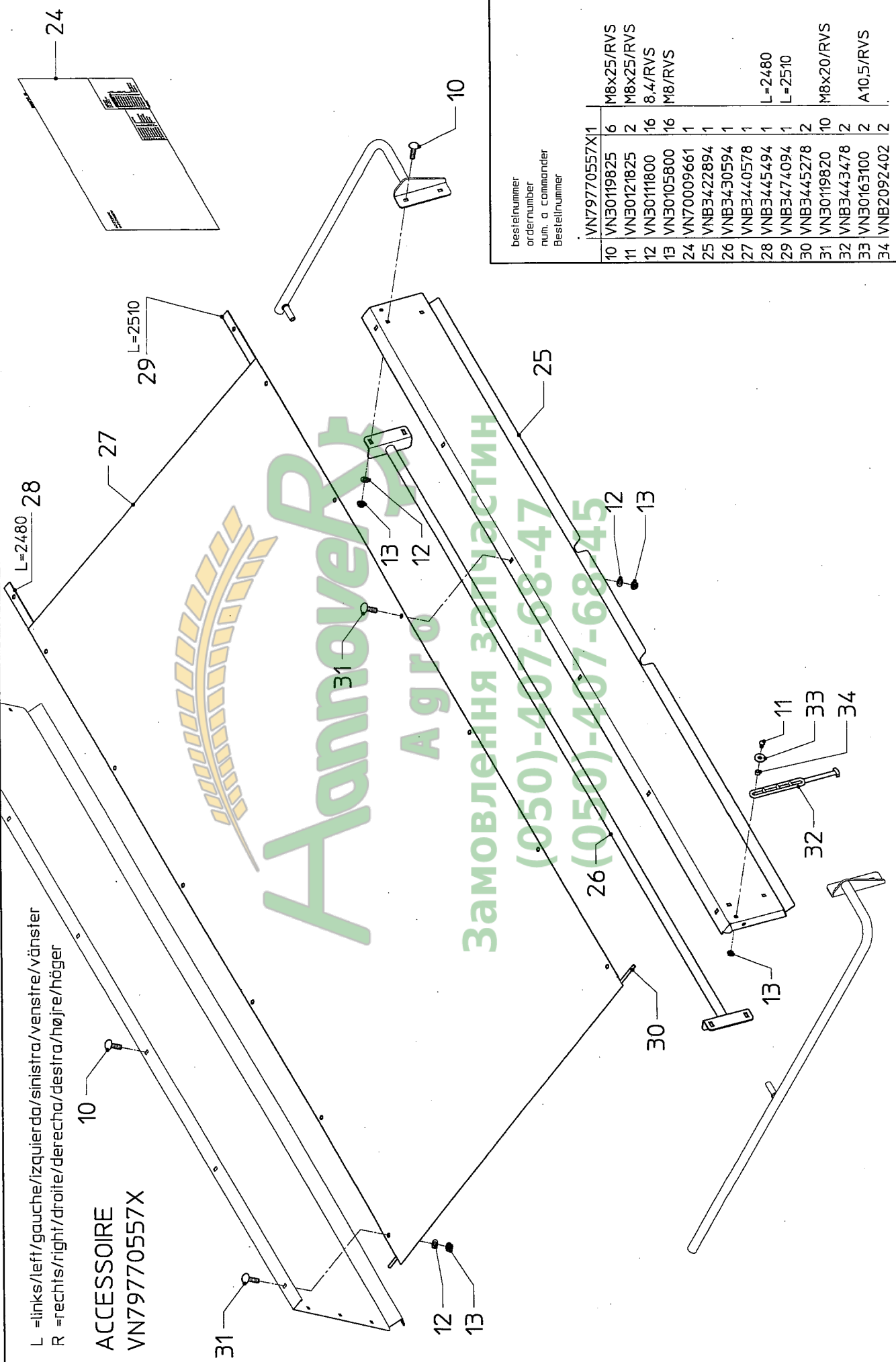
serial number 77425

D13

EXACTA TL

L = links/left/gauche/izquierda/sinistra/venstre/vänster
R = rechts/right/droite/derecha/destra/højre/höger

ACCESSOIRE
VN79770557X



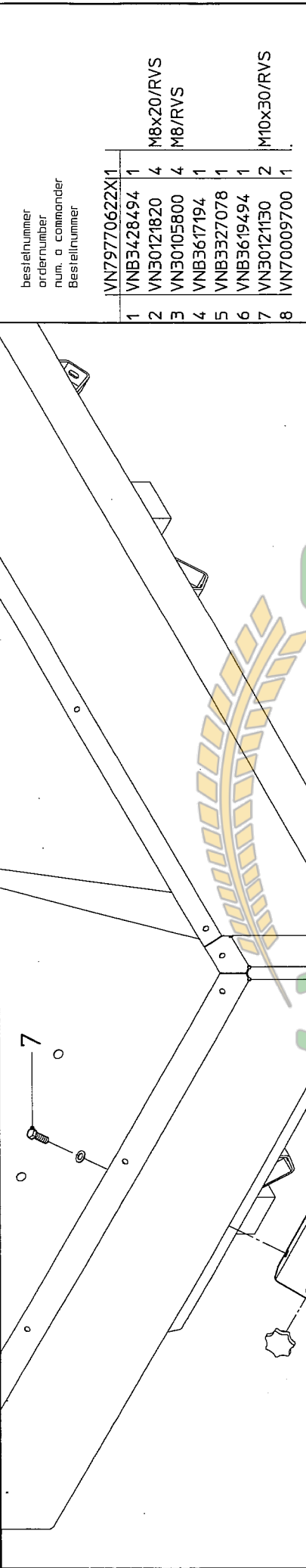
bestelnnummer
ordernummer
num. o commander
Bestellnummer

VN79770557X1		
10	VN3019825	6 M8x25/RVS
11	VN30121825	2 M8x25/RVS
12	VN3011800	16 8,4/RVS
13	VN30105800	16 M8/RVS
24	VN70009661	1
25	VNB3422894	1
26	VNB3430594	1
27	VNB3440578	1 L=2480
28	VNB3445494	1 L=2510
29	VNB3474094	1
30	VNB3445278	2 M8x20/RVS
31	VN3019820	10
32	VNB3443478	2
33	VN30163100	2 A10,5/RVS
34	VNB2092402	2

serial number 77425

D14

EXACTA-TL

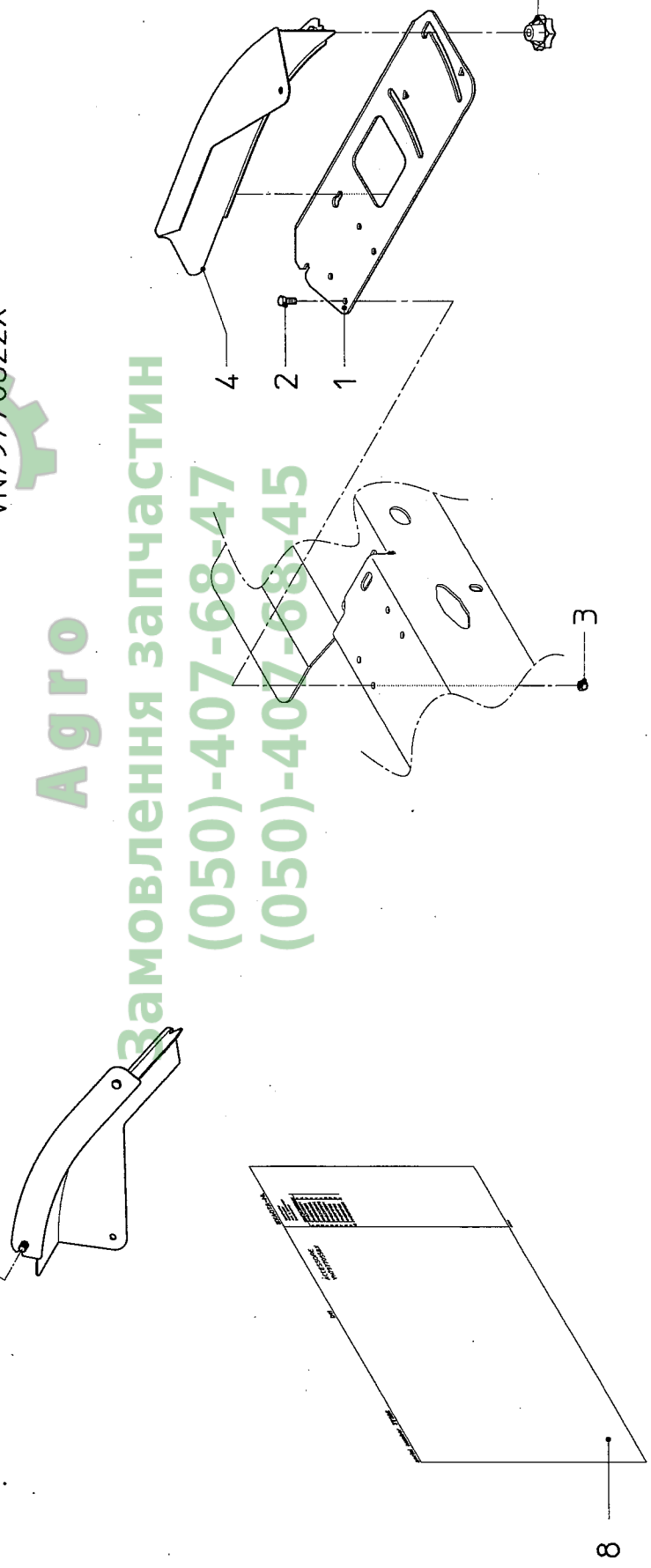


bestelnummer
ordernummer
num. o commander
Bestellnummer

1	VN79770622X	1	
2	VNB3428494	4	M8x20/RVS
3	VN30121820	4	M8/RVS
4	VN30105800	4	
5	VNB3617194	1	
6	VNB3327078	1	
7	VNB3619494	1	
8	VN30121130	2	M10x30/RVS
	VN70009700	1	

Агро
Замовлення запчастин
(050)-407-68-47
(050)-407-68-45

ACCESSOIRE
VN79770622X



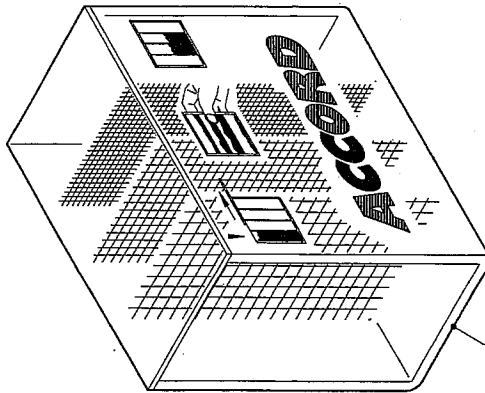
serial number 77425

D15

EXACTA TL

bestelnummer
ordernumber
num. a commander
Bestellnummer

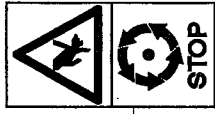
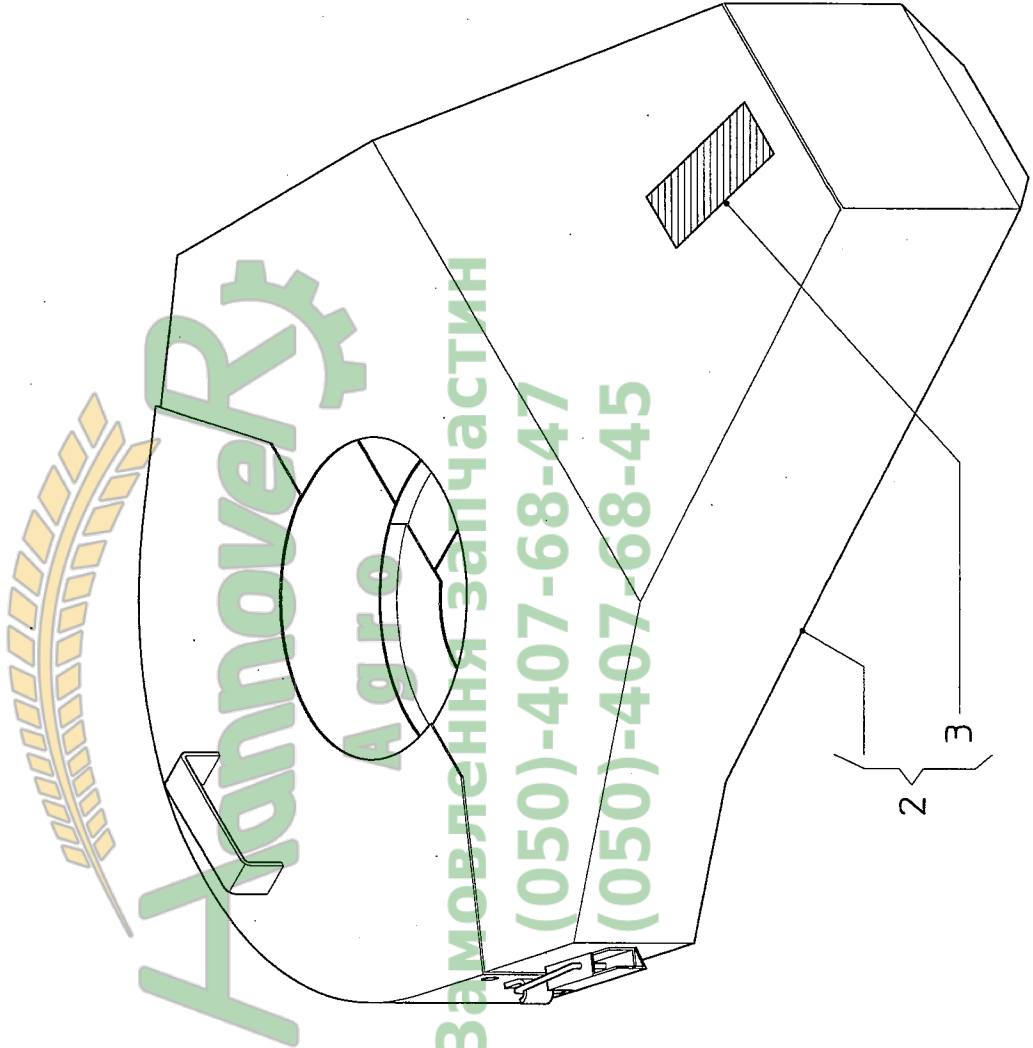
1 | VN79770528 | 1 |



ACCESSOIRE
VNB3350478

bestelnummer
ordernumber
num. a commander
Bestellnummer

2 | VNB3350478 | 1 | ACCESSOIRE
3 | VGTR2023 | 1 |



3

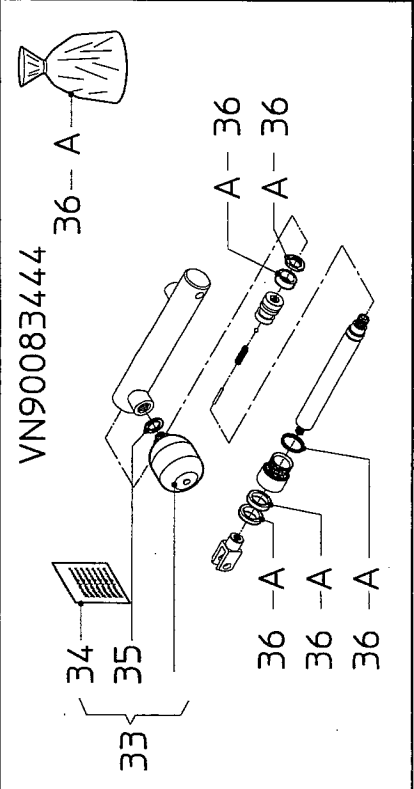
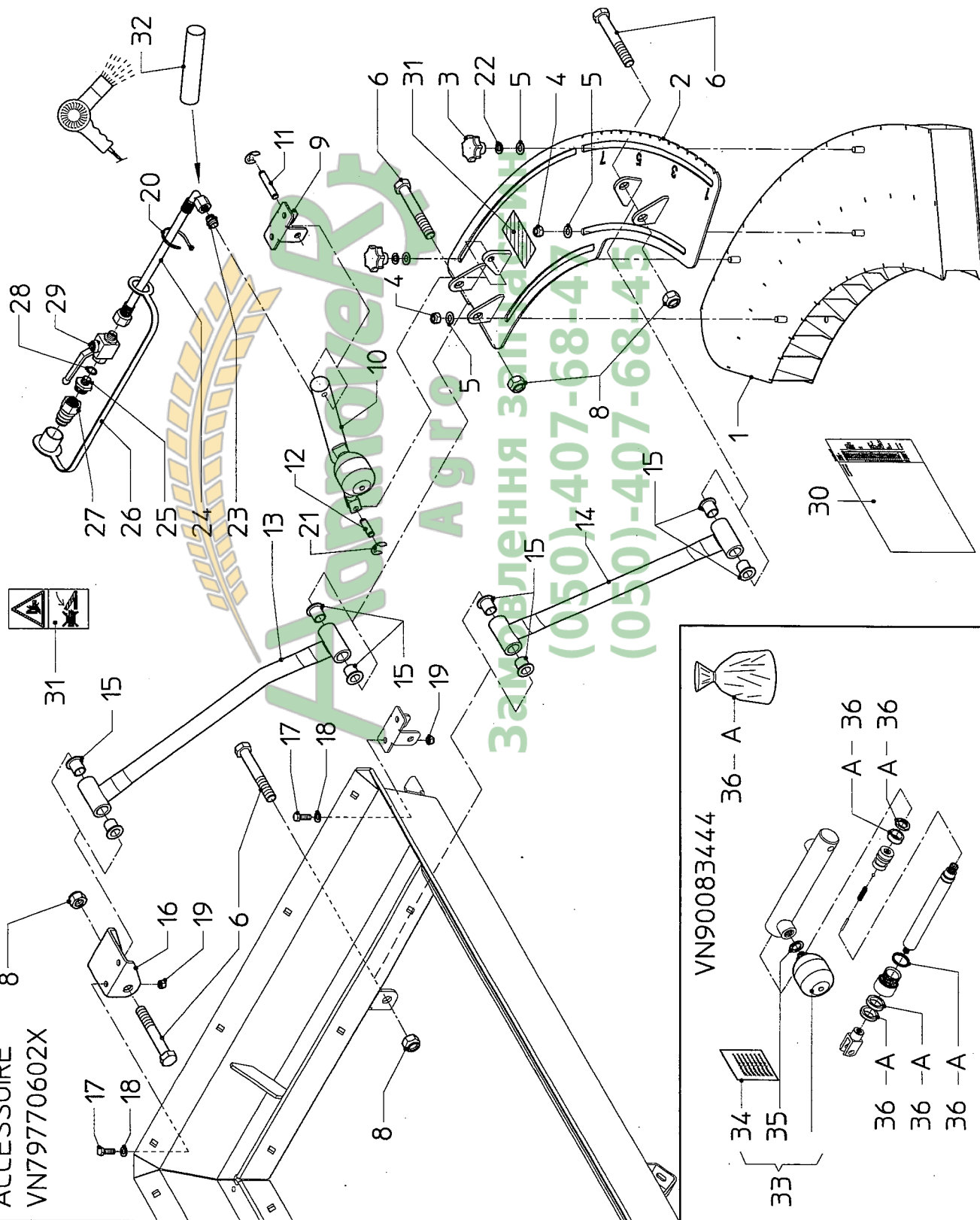
2 }
3

serial number 77425

D16

EXACTA TL

ACCESSOIRE
VN79770602X



bestelnnummer
ordernummer
num. o commander
Bestellnummer

1	VN79770602X1		
2	VNB3454502	1	
3	VNB3640594	1	
4	VNB3327078	2	
5	VN30125100	2	M10/RVS/Nylac
6	VN3011100	4	10,5/RVS
8	VN30120411	4	M16x110/RVS
9	VN30125400	4	M16/RVS/Nylac
10	VNB3641594	1	
11	VN90083444	1	L=58
12	VNB3507502	1	L=35
13	VNB1843002	1	
14	VNB3641094	1	
15	VNB3641394	1	
16	VNB3281778	8	
17	VNB3641694	1	M8x25/RVS
18	VN30121825	4	8,4/RVS
19	VN3011800	4	M8/RVS/Nylac
20	VN30125800	4	
21	VN80504003	5	200x4,7
22	VN30116090	4	9/RVS
23	VN30117100	2	A10/RVS
24	VN38820161	1	AL-8-R1/4"-Ohne
25	VNB3069178	1	1/4"-L=3000 mm
26	VNB1306893	1	1/2"
27	VN38854581	1	G1/2"
28	VN38854081	1	A14x18x1,5
29	VN31419900	1	
30	VN90007711	1	L=140 mm
31	VN70009693	1	
32	VGTR2059	1	
33	VNB1504678	1	
34	VN79750037	1	
35	VN70003641	1	A17x21x1,5
36	VN31419016	1	Sealing kit
36	VN79750027	1	

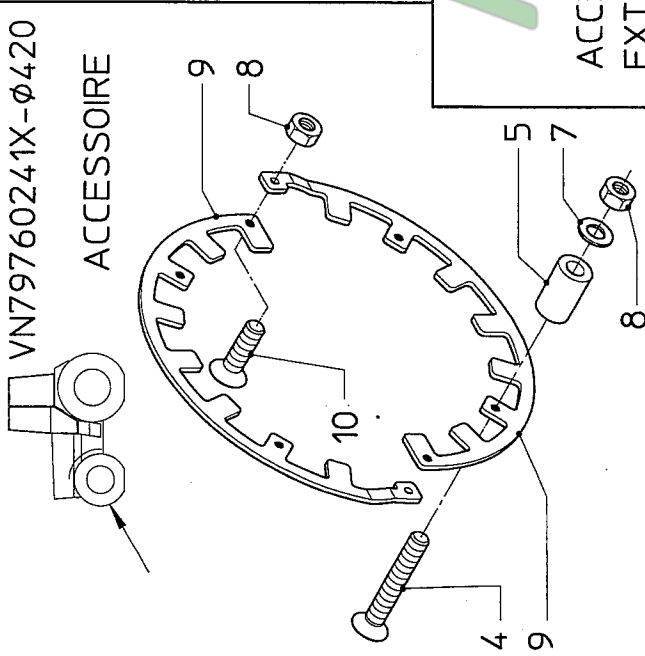
serial number 77425

E1

EXACTA-TL

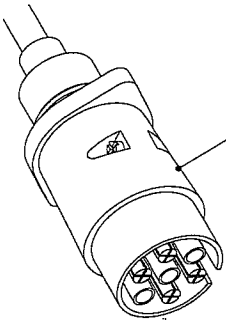
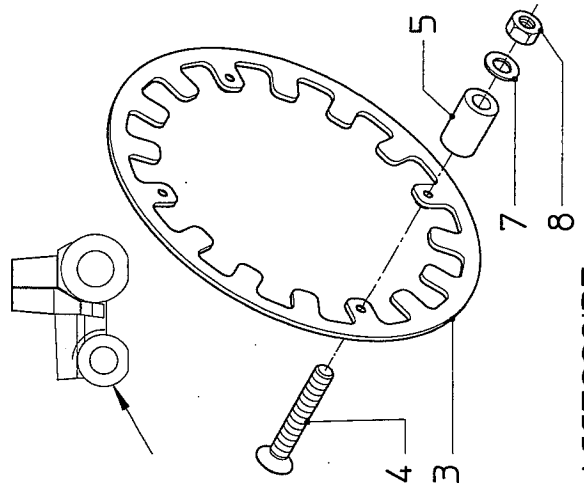
VN79760241X- ϕ 420

ACCESSOIRE



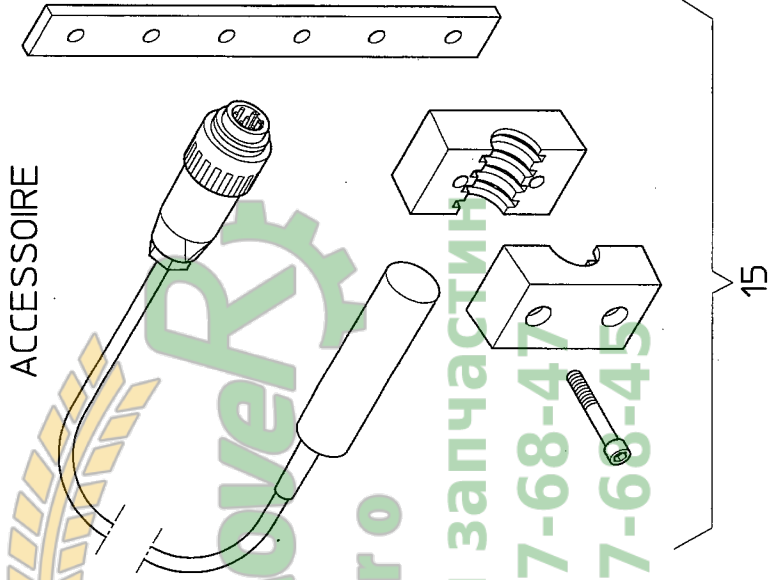
VN79760240X- ϕ 350

ACCESSOIRE



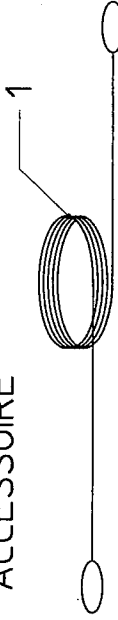
PLUG ONLY

ACCESSOIRE

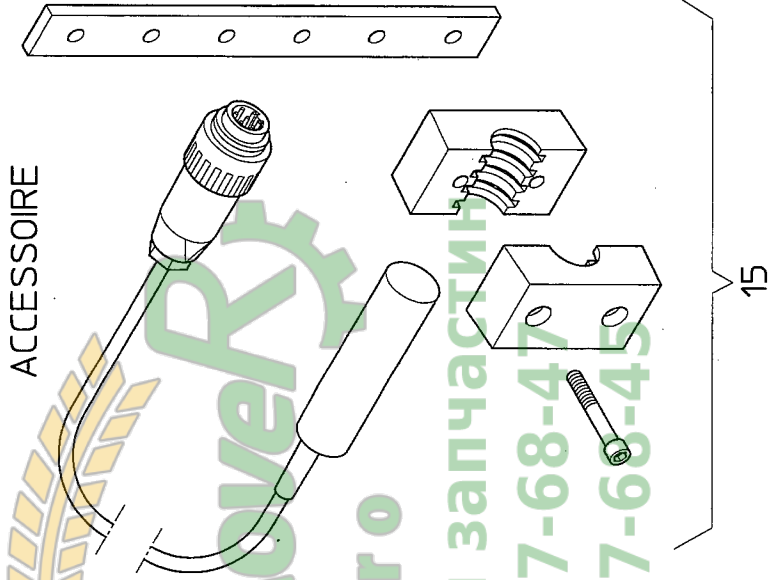


ACCESSOIRE
EXTENSION CABLE

ACCESSOIRE



ACCESSOIRE



WHEEL-SENSOR
START/STOP-SENSOR
PTO-SENSOR

bestelnummer
ordernumber
num. o commander
Bestellnummer

1 | VN17870127 | 1 | 120 mtr

2 | VN48101007 | 1 | 1

VN79760240X1

3	VNB1517586	1	ϕ 350
4	VN30126850	4	M8x50/RVS
5	VNB1153493	4	
7	VN30111800	4	8,4/RVS
8	VN30125800	4	M8/RVS/Nylac

VN79760241X1

4	VN30126850	4	M8x50/RVS
5	VNB1153493	4	
7	VN30111800	4	8,4/RVS
8	VN30125800	6	M8/RVS/Nylac
9	VNB2928086	2	ϕ 420
10	VN30126825	2	M8x25/RVS

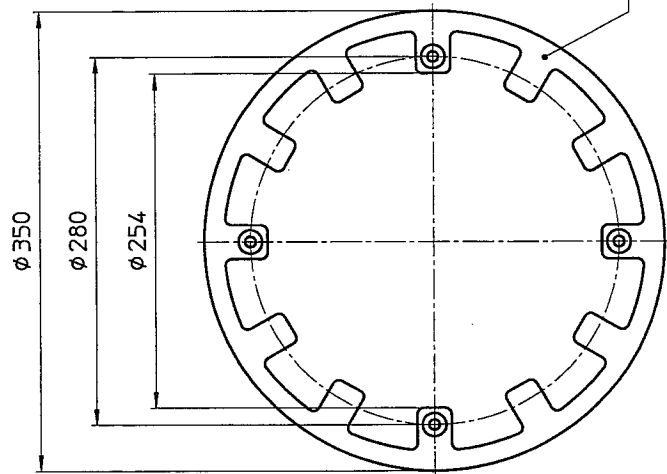
11	VNB0304073	1	16 mtr
12	VNB0326573	1	2,5 mtr

15 | VNB0430273 | 1 | 1

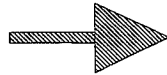
serial number 77425

E2

EXACTA TL

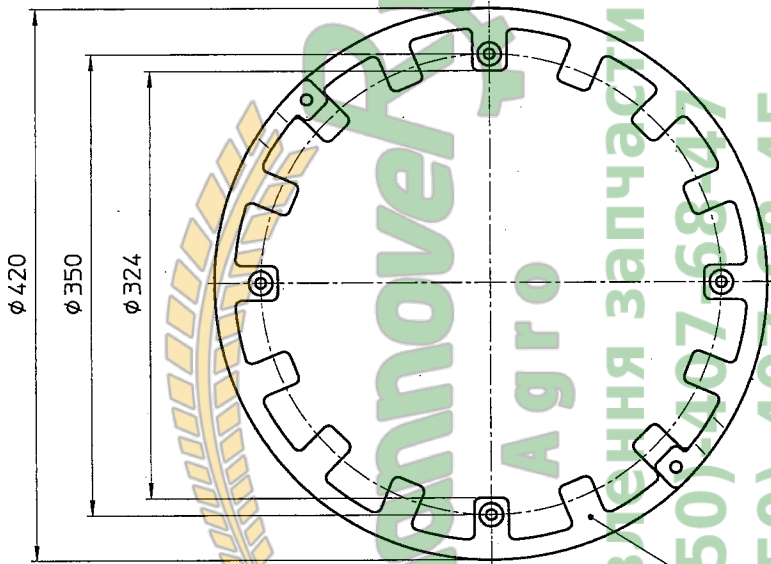


VNB1517586

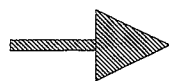


X = 4,5 mm

Y = 9 mm

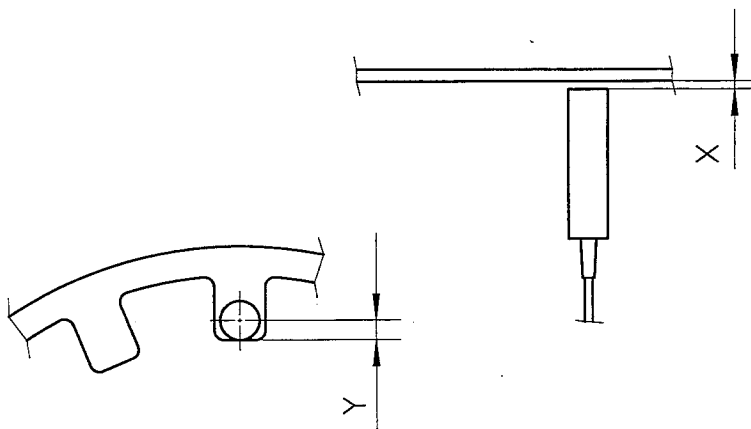


VNB2928086 (2x)



X = 3,5 mm

Y = 10,5 mm



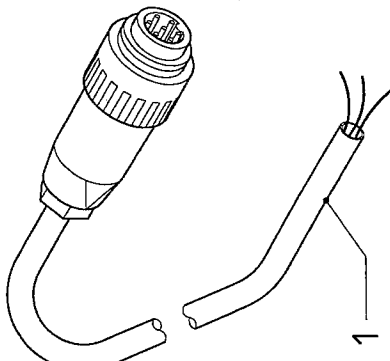
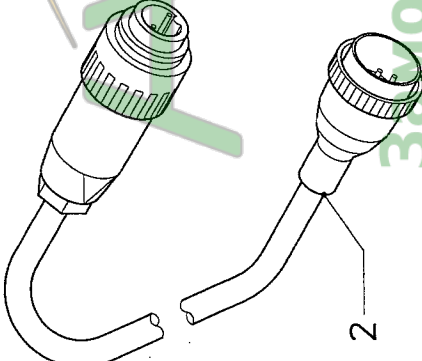
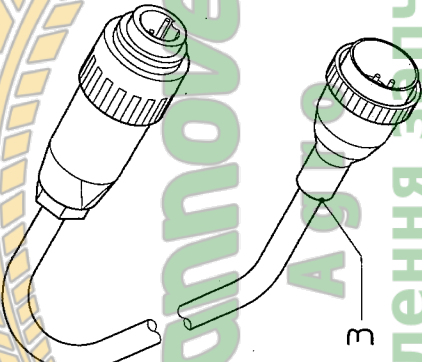
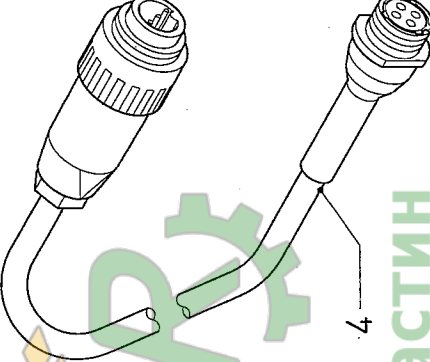
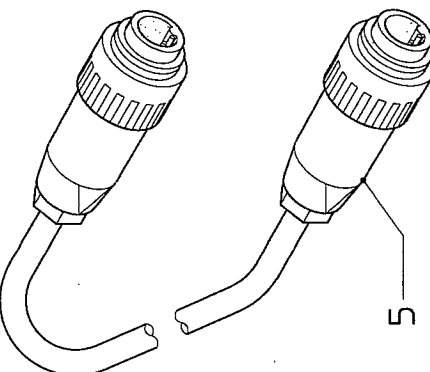
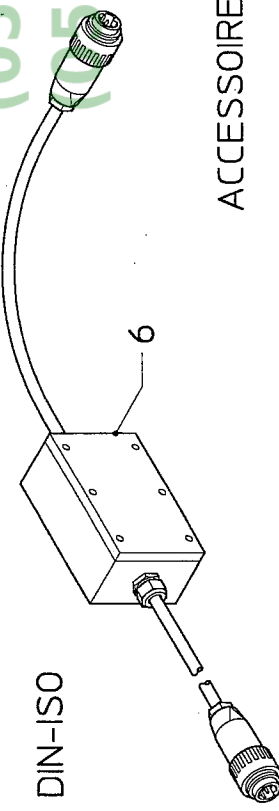
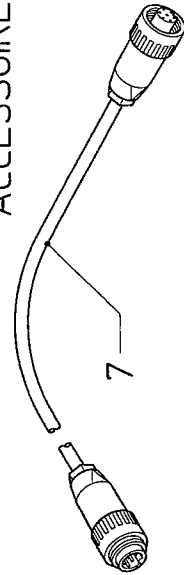
1	VNB1517586	1	φ350
2	VNB2928086	2	φ420

serial number 77425

E3

EXACTA TL

CABLE FOR RADAR SENSOR TRACTOR

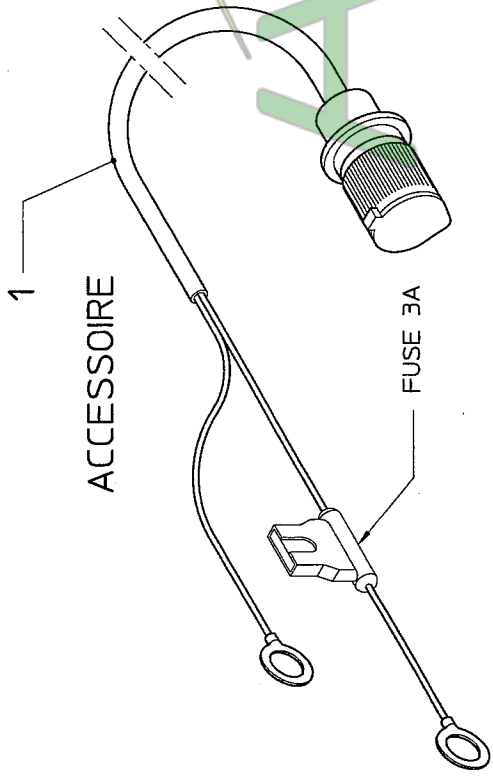
<p>SELF-MADE</p> <p>ACCESSOIRE</p>  <p>1</p>	<p>DATATRONIC-1</p> <p>ACCESSOIRE</p>  <p>2</p>	<p>DATATRONIC-2</p> <p>ACCESSOIRE</p>  <p>3</p>	<p>DICKEY JOHN</p> <p>ACCESSOIRE</p>  <p>4</p>	<p>DIN-ISO</p> <p>ACCESSOIRE</p>  <p>5</p>
<p>bestellnummer ordernumber num. a commander Bestellnummer</p> <p>1 IVNB0303973 11 Self-made</p> <p>2 IVNB0305873 11 Datatronic-1(MF)</p> <p>3 IVNB0385273 11 Datatronic-2(MF)</p> <p>4 IVNB0305973 11 Dickey John</p> <p>5 IVNB0386773 11 DIN-ISO</p> <p>6 IVNB0540173 11 DIN-ISO</p> <p>7 IVNB0391073 11 DIN-ISO/1,5 m</p>				
<p>DIN-ISO</p>  <p>6</p> <p>ACCESSOIRE</p>	<p>(050)-407-68-47</p> <p>(050)-407-68-45</p>			
<p>DIN-ISO</p> <p>ACCESSOIRE</p>  <p>7</p>				

serial number 77425

E5

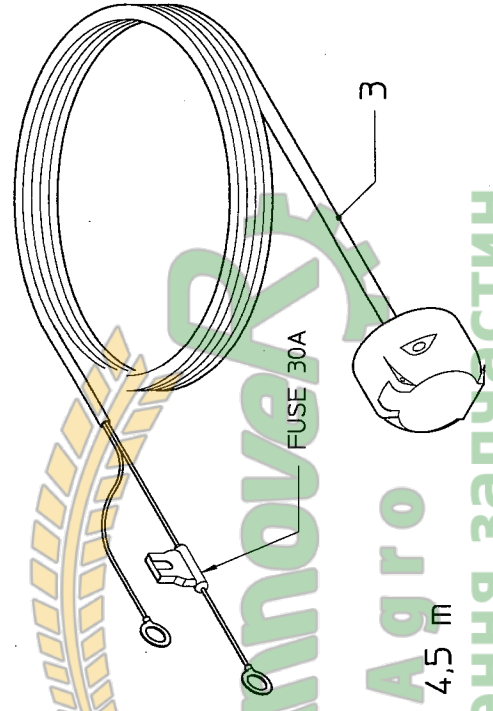
EXACTA TL

2,5 m



ACCESSOIRE

ACCESSOIRE



4,5 m

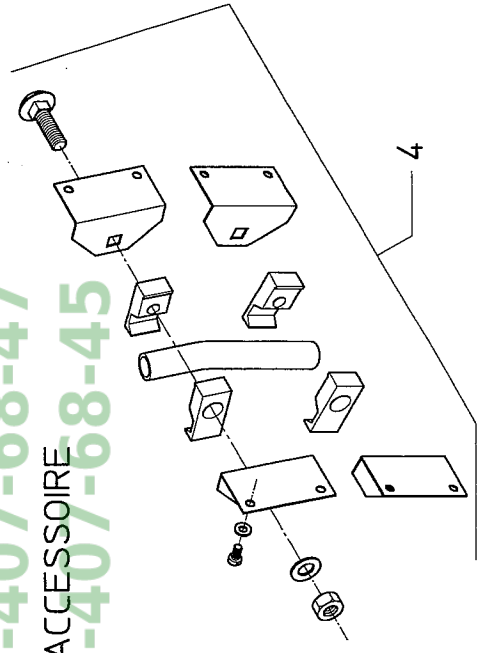
Агро

Замовлення запчастин

(050)-407-68-47

ACCESSOIRE

(050)-407-68-45



bestelnnummer
ordernummer
num. o commander
Bestelnnummer

1 IVNB0385173 11 12,5 m

3 IVN97896548 11 14,5 m

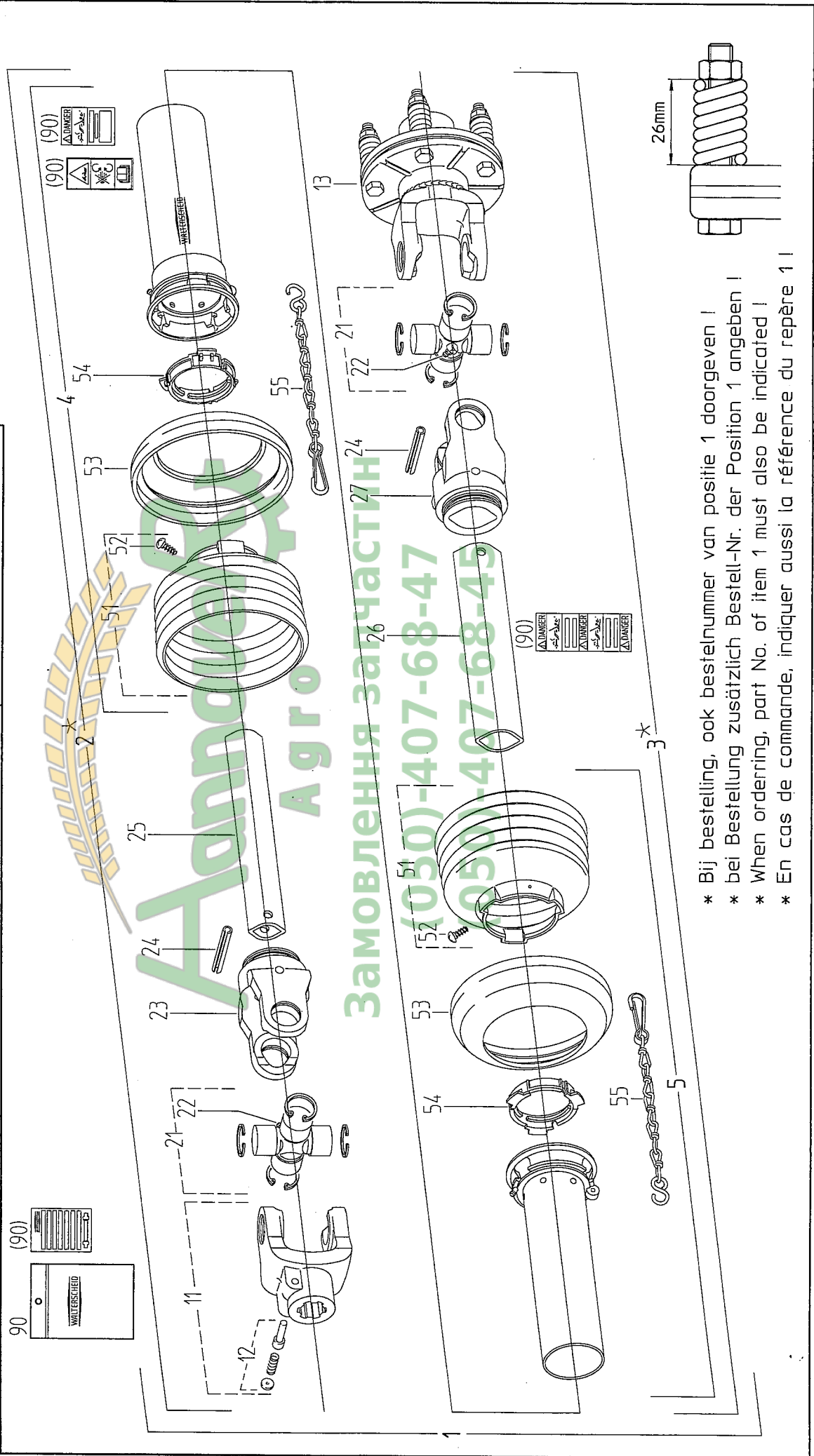
4 IVN10285943 11 1.

serial number 77425

C1

EXACTA TL

Walterscheid	11	VG10.10.00	AG2100-1 3/8"(6)	24	VG61.04.01	ISO8752-8x50	53	VG83.10.03
1 VN46120086	12	VGagraset 101	K94/1-2100-1 3/8"(6)ZV-M=400Nm	25	VG75.02.15	00c-800	54	VG83.09.01
2 *	13	VG56.117.19	BM8x1	26	VG75.12.15	0a-800	90	VG82.36.03
3 *	21	VG10.01.00	RG2100-00a	27	VG10.49.00	RG2100-0a		VGagraset 207
4 VG85.005	22	VG63.27.00		51	VG85.05.06	n=RP6		
5 VG85.004	23	VG10.48.00		52	VG60.15.00	4x10		



- * Bij bestelling, ook bestelnummer van positie 1 doorgeven !
- * bei Bestellung zusätzlich Bestell-Nr. der Position 1 angeben !
- * When ordering, part No. of item 1 must also be indicated !
- * En cas de commande, indiquer aussi la référence du repère 1 !

NUMERICAL INDEX / NUMMERN-VERZEICHNIS / INDEX NUMERIQUE / NUMERIEKE INDEX / INDICE DE NUMEROS

1 EXACTA-TL

Part no. Teille-nr. No. de ref. Onderd. nr. Nom. de pza	Page: 01			Page: 02			Page: 03			Page: 04			Page: 05			Page: 06			Page: 07		
	Selle Page Pagina	Teille-nr. No. de ref. Onderd. nr. Nom. de pza	Part no. Teille-nr. No. de ref. Onderd. nr. Nom. de pza	Selle Page Pagina	Teille-nr. No. de ref. Onderd. nr. Nom. de pza	Part no. Teille-nr. No. de ref. Onderd. nr. Nom. de pza	Selle Page Pagina	Teille-nr. No. de ref. Onderd. nr. Nom. de pza	Part no. Teille-nr. No. de ref. Onderd. nr. Nom. de pza	Selle Page Pagina	Teille-nr. No. de ref. Onderd. nr. Nom. de pza	Part no. Teille-nr. No. de ref. Onderd. nr. Nom. de pza	Selle Page Pagina	Teille-nr. No. de ref. Onderd. nr. Nom. de pza	Part no. Teille-nr. No. de ref. Onderd. nr. Nom. de pza	Selle Page Pagina	Teille-nr. No. de ref. Onderd. nr. Nom. de pza	Part no. Teille-nr. No. de ref. Onderd. nr. Nom. de pza	Selle Page Pagina	Teille-nr. No. de ref. Onderd. nr. Nom. de pza	
AC748748	C16	VN30105800	D11	VN30120411	D16	VN30125800	D01	VN38854081	D16	VN90090190	D05	VNB1060002	D04								
VG10.01.00	C01	VN30105800	D12	VN30121125	D05	VN30125800	D02	VN38854581	D16	VN90090191	D03	VNB1063478	D06								
VG10.10.00	C01	VN30105800	D13	VN30121125	D06	VN30125800	D03	VN46120086	C01	VN97896548	D01	VNB1082102	D04								
VG10.48.00	C01	VN30105800	D14	VN30121130	D04	VN30125800	D04	VN48101007	E01	VN97896548	E05	VNB1082102	D05								
VG10.49.00	C01	VN30109004	D05	VN30121130	D14	VN30125800	D06	VN48520010	D06	VNB0066573	D08	VNB1153493	E01								
VG56.117.19	C01	VN30110100	D05	VN30121165	D05	VN30125800	D16	VN48523002	D06	VNB0077773	D07	VNB1181374	D04								
VG60.15.00	C01	VN30111100	D06	VN30121235	D01	VN30125800	E01	VN48523121	D06	VNB0119273	E04	VNB1194874	D04								
VG61.04.01	C01	VN30111100	D16	VN30121235	D03	VN30125980	D12	VN70003641	D16	VNB0251373	D06	VNB1306893	D16								
VG63.27.00	C01	VN30111250	D03	VN30121245	D01	VN30126616	D05	VN70009404	D08	VNB0303973	E03	VNB1504678	D16								
VG75.02.15	C01	VN30111430	D12	VN30121612	D02	VN30126825	E01	VN70009651	D10	VNB0304073	E01	VNB1517586	E01								
VG75.12.15	C01	VN30111500	D05	VN30121620	D02	VN30126850	E01	VN70009661	D12	VNB0305873	E03	VNB1517586	E02								
VG82.36.03	C01	VN30111600	D06	VN30121625	D05	VN30127416	D12	VN70009661	D13	VNB0305973	E03	VNB1578702	D05								
VG83.09.01	C01	VN30111600	D12	VN30121816	D03	VN30127516	D05	VN70009662	D11	VNB0326573	E01	VNB1593594	D03								
VG83.10.03	C01	VN30111800	D03	VN30121816	D06	VN30127516	D06	VN70009693	D16	VNB0341273	D01	VNB1599794	D01								
VG85.004	C01	VN30111800	D06	VN30121820	D02	VN30127635	D01	VN70009900	D14	VNB0385173	D07	VNB1599994	D01								
VG85.005	C01	VN30111800	D10	VN30121820	D06	VN30130800	D04	VN79730063	D07	VNB0385173	E05	VNB1617078	D05								
VG85.05.06	C01	VN30111800	D11	VN30121820	D10	VN30130800	D05	VN79730271	D08	VNB0385273	E03	VNB1665294	D01								
VGAGRASET 101	C01	VN30111800	D12	VN30121820	D11	VN30139309	D05	VN79730397	D01	VNB0386373	E04	VNB1709302	D04								
VGAGRASET 207	C01	VN30111800	D13	VN30121820	D12	VN30139309	D06	VN79730397	D03	VNB0386773	E03	VNB1754278	D04								
VGTR1010	C16	VN30111800	D16	VN30121820	D14	VN30161100	D05	VN79730397	D05	VNB0386773	E04	VNB1843002	D05								
VGTR2005	C16	VN30111800	E01	VN30121825	D02	VN30161100	D06	VN79750027	D16	VNB0388773	E04	VNB1843002	D16								
VGTR2011	C16	VN30113835	D04	VN30121825	D11	VN30163100	D05	VN79750037	D16	VNB0390373	E04	VNB2003198	D02								
VGTR2015	C16	VN30116090	D05	VN30121825	D12	VN30163100	D13	VN79760240	E01	VNB0390473	E04	VNB2003294	D02								
VGTR2023	C16	VN30116090	D16	VN30121825	D13	VN30163250	D01	VN79760241	E01	VNB0391073	E03	VNB2003302	D02								
VGTR2023	D15	VN30117100	D05	VN30121825	D16	VN30163600	D02	VN79770216	D04	VNB0430273	D03	VNB2068778	D06								
VGTR2039	C16	VN30117100	D06	VN30121830	D03	VN30163600	D05	VN79770528	D15	VNB0430273	E01	VNB2092402	D13								
VGTR2059	C16	VN30117100	D16	VN30121850	D01	VN30163800	D02	VN79770549	D10	VNB0446573	D01	VNB2235978	D05								
VGTR2059	D16	VN30117600	D05	VN30121975	D01	VN30163800	D12	VN79770556	D11	VNB0489473	D01	VNB2332694	D01								
VN10285943	D07	VN30119120	D06	VN30125100	D05	VN30164100	D04	VN79770557	D12	VNB0510373	D07	VNB2336686	D01								
VN10285943	E05	VN30119620	D10	VN30125100	D16	VN30191600	D06	VN79770557	D13	VNB0511673	D07	VNB2417578	D03								
VN17870127	E01	VN30119820	D12	VN30125120	D01	VN30853560	D03	VN79770602	D16	VNB0522373	D01	VNB2417602	D03								
VN30101810	D05	VN30119820	D11	VN30125120	D03	VN30853860	D03	VN79770622	D14	VNB0540173	E03	VNB2426674	D02								
VN30103540	D03	VN30119820	D13	VN30125400	D16	VN31419016	D16	VN80504001	D01	VNB0554173	D05	VNB2544278	D05								
VN30103840	D03	VN30119825	D11	VN30125500	D01	VN30141900	D16	VN80504001	D03	VNB0682993	D03	VNB2559578	D01								
VN30105600	D02	VN30119825	D12	VN30125500	D05	VN36107317	D05	VN80504003	D05	VNB0765193	D01	VNB2760978	D06								
VN30105600	D12	VN30119825	D13	VN30125500	D06	VN36112032	D04	VN80504003	D16	VNB0870178	D01	VNB2928086	E01								
VN30105800	D06	VN30120231	D03	VN30125600	D02	VN37610016	D06	VN90007711	D16	VNB0897393	D01	VNB2928086	E02								
VN30105800	D10	VN30120271	D03	VN30125600	D05	VN38820161	D16	VN90083444	D16	VNB0903374	C16	VNB3069178	D16								

NUMERICAL INDEX / NUMMERN-VERZEICHNIS / INDEX NUMERIQUE / NUMERIEKE INDEX / INDICE DE NUMEROS

Part no. Teile-nr. No. de ref. Onderd. nr. Nom. de pza	Page: 08 Selle Page Pagina Pagina	Part no. Teile-nr. No. de ref. Onderd. nr. Nom. de pza	Page: 09 Selle Page Pagina Pagina	Page: 10 Selle Page Pagina Pagina	
VNB3209394	D06	VNB3405574	C16	VNB3559702	D05
VNB3240994	D01	VNB3413274	C16	VNB3559802	D05
VNB3250778	D03	VNB3414002	D04	VNB3559902	D05
VNB3250878	D03	VNB3414102	D04	VNB3588378	D03
VNB3251078	D03	VNB3415894	D05	VNB3588478	D03
VNB3281778	D12	VNB3419198	D12	VNB3596394	D06
VNB3281778	D16	VNB3421594	D11	VNB3596494	D06
VNB3317278	D05	VNB3422894	D13	VNB3596694	D06
VNB3317378	D05	VNB3428494	D14	VNB3604074	C16
VNB3317702	D05	VNB3428602	D05	VNB3604174	C16
VNB3317802	D05	VNB3429894	D12	VNB3605798	D02
VNB3319102	D05	VNB3430294	D12	VNB3605898	D02
VNB3319202	D05	VNB3430594	D13	VNB3609874	C16
VNB3322194	D05	VNB3430898	D12	VNB3610098	D06
VNB3322294	D05	VNB3431198	D12	VNB3610198	D06
VNB3322594	D05	VNB3431798	D11	VNB3610298	D06
VNB3326978	D06	VNB3431898	D11	VNB3610398	D06
VNB3327078	D14	VNB3432698	D11	VNB3610498	D06
VNB3327078	D16	VNB3433894	D11	VNB3617194	D14
VNB3342278	D05	VNB3440294	D10	VNB3619494	D14
VNB3350478	D15	VNB3440578	D13	VNB3640594	D16
VNB3352774	C16	VNB3443194	D12	VNB3641094	D16
VNB3352874	C16	VNB3443294	D12	VNB3641394	D16
VNB3388194	D04	VNB3443478	D13	VNB3641594	D16
VNB3388294	D04	VNB3444078	D12	VNB3641694	D16
VNB3388394	D04	VNB3444974	C16	VNB3679274	D03
VNB3388402	D04	VNB3445278	D13		
VNB3390894	D10	VNB3445494	D13		
VNB3390994	D10	VNB3447094	D12		
VNB3391094	D10	VNB3447178	D12		
VNB3391393	D03	VNB3454502	D16		
VNB3392094	D06	VNB3474094	D13		
VNB3395494	D03	VNB3507502	D16		
VNB3395694	D03	VNB3511494	D03		
VNB3402194	D03	VNB3550678	D03		
VNB3402594	D10	VNB3559478	D05		
VNB3402694	D10	VNB3559578	D05		
VNB3404994	D04	VNB3559602	D05		



ACCORD

EXACTA TL

1001 ≥Mach ID



Kverneland Nieuw-Vennep
B.V.

Hoofdweg 1278

NL-2153 LR Nieuw-Vennep
The Netherlands

Замовлення запчастин

(050)-407-68-47

(050)-407-68-45

© Kverneland group

All rights reserved. No part of this book may be reproduced, stored in a database or retrieval system, or published in any form or in any way, electronically, mechanically, optically, by print, photo print, microfilm (including micro and macro fiche), or any other means, including all video and CD systems, without prior written permission from the publisher.

