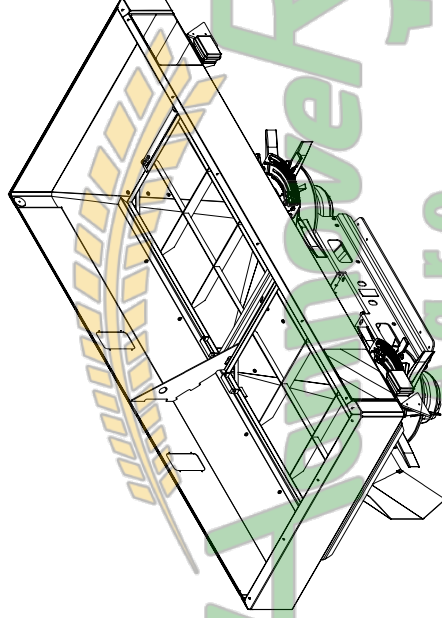


ACCORD



EXASTA HL Замовлення та запчастин (050)-407-68-47 (050)-407-68-45

Spare parts manual

Article number: 70009736/1

Production year: 2005
Effective: 1001 ≥Mach ID
Prod. Series nr: 77326-1



Агро

Замовлення запчастин

(050)-407-68-47

(050)-407-68-45

AANHAALMOMENTEN/TORQUES/ANZUGSMOMENTE/COUPLES DE SERRAGE/PARES DE APRIETE/I MOMENTI TORCENTI/ATDRAGNINGSMOMENTER/MOMENTER/TILTREKKINGSMOMENTER

- NL** Richtlijnen voor aanhaalmomenten (in Nm) voor zelfborgende moeren, zeskantbouten en moeren. **GB** Directives for torques (in Nm) for self-locking nuts, hexagonal bolts and nuts.
D Richtlinien für Anzugsmomente (in Nm) für selbstsichernde Muttern, Sechskantschrauben und muttern. **F** Directives relatives aux couples de serrage (en Nm) pour les écrous à auto-bloccage, les boulons à six et les écrous.
ES Directrices para los pares de apriete (en Nm) para tuercas autobloccantes, tornillos hexagonales y tuercas. **I** Linee guida riguardanti i momenti torcenti (espressi in Nm) per dadi autobloccanti, bulloni esagonali e dadi.
S Riktlinjer för åtdragningsmoment (i Nm) för självåsande bultar, sexkantbultar och muttrar. **DK** Retningslinjer for momenter (i Nm) for selvåsende møtrikker, hexagon bolte og møtrikker.
N Retningslinjer for tiltrækningsmomenter (i Nm) for selvåsende møtrikker, sekskantskruer og mutre.

KWALITEIT/QUALITY/QUALITAT QUALITÉ/CALIDAD/QUALITA/KVALITET Wrijving/Friction/Reibung/Frottement/ Fricción/Frizione/Friktion/Friksjon *	4.6		8.8		10.9		12.9	
	0,10	0,13	0,10	0,13	0,10	0,13	0,10	0,13
Schroefdraad/Thread/Gewinde/Filetage Rosca/Filettatura/Gänga/Størrelse/ Gjenger								
M5	1,7	2	5	6	7	9	8	10
M6	3	4	9	10	13	15	15	18
M8	8	9	21	25	31	36	36	42
M10	16	19	40	50	60	70	70	85
M12	27	32	70	85	105	120	120	145
M14	42	50	115	135	165	195	195	230
M16	65	76	175	210	260	300	300	350
M18	90	110	250	290	350	420	410	490
M20	125	150	350	420	500	600	580	700
M22	170	200	470	560	670	800	780	930
M24	210	250	600	710	860	1020	1000	1180

* **NL** De wrijvingscoëfficiënt van 0,10 geldt voor geoliede plaat, gietijzer, geharde vlakken, vette schroefdraad, etc. De hogere waarde van 0,13 geldt voor een droge plaat. Uitzonderingen op deze tabel zijn vermeld in het onderdeelen- en/of instructieboek. Aanhaalmomenten voor bouten en moeren met gekarteide onderkant, zoals Tensilock en Whizlock, 10% extra.

* **GB** The friction coefficient of 0,10 applies to oiled sheet, cast iron, hardened surfaces, greasy thread, etc. The higher value of 0,13 applies to dry sheet. Exceptions to this table are stated in the parts- and /or instruction manual. Torques for bolts and nuts with a knurled underside, like Tensilock and Whizlock, 10% extra.

* **D** Der Reibungskoeffizient von 0,10 gilt für geölte Flächen, Gußeisen, gehärtete Flächen, fettete Gewinde usw. Der höhere Wert von 0,13 gilt für trockene Flächen. Ausnahmen zu dieser Tabelle sind im Ersatzteilhft und/oder in der Betriebsanleitung. Anzugsmomente für Schrauben und Muttern mit gerändelter Unterseite, wie Tensilock und Whizlock, zusätzlich 10% extra.

* **F** Le coefficient de frottement de 0,10 s'applique aux surfaces huilées, à la fonte, aux surfaces trempées, aux filetages graissés etc. Le coefficient de 0,13 aux surfaces sèches. Les exceptions à se tableau sont mentionnées dans la nomenclature des pièces et/ou dans le manuel d'emploi. Ajoutez 10% pour les boulons et écrous à partie inférieure crénelée, comme les Tensilock et les Whizlock.

* **ES** El coeficiente de fricción de 0,10 es indicado para planchas lubricadas, hierro fundido, superficies endurecidas, rosca granizada, etc. El valor más alto de 0,13 es para planchas secas. Las excepciones a este cuadro se mencionan en el libro de repuestos y/o manual de instrucciones. Los pares de apriete para tornillos y tuercas con cara inferior dentada, como los Tensilock y Whizlock, 10% extra.

* **I** Il coefficiente di frizione pari a 0,10 si riferisce a superfici oliate, alla ghisa, a superfici temprate, a filettature spesse ecc. Il valore più alto, pari a 0,13, si riferisce a superfici asciutte. Tutte le eccezioni a quanto riportato in questa tabella, si trovano nel libretto dei pezzi o nel libretto delle istruzioni. I momenti torcenti per bulloni e dadi la cui parte inferiore è zigrinata, come i Tensilock (K 100) e Whizlock, sono superiori del 10%.

* **S** Friktionskoefficienten 0,10 gäller oljad plåt, gjutjärn, hårdade ytor, smorda gängor etc. Det högre värdet 0,13 gäller torr plåt. Undantag från denna tabell anges i reservdels- och/eller instruktionsboken.

* **DK** Åtdragningsmoment for råfflade bultar og muttrar, som Tensilock og Whizlock 10% extra.

* **N** Friktionskoefficienten på 0,10 gælder for smurte flader, støbejern, hærdede overflader, fedtholdige gevind etc. Den højere værdi på 0,13 gælder for tørre flader. Undtagelser til tabellen er angivet i reservdels- og/eller instruktionsbog. Når det drejer sig om momenter for bolte og møtrikker med en riflet underside, som Tensilock (K100) og Whizlock, skal der tilføjes 10% ekstra.

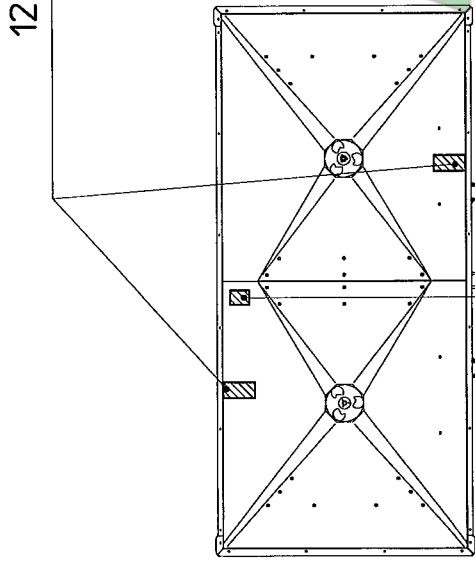
* **N** Friktionskoeffisienten på 0,10 gjelder for smurt plate, støpejern, herdede flater, innfettete gjenger etc. Den høyere verdien på 0,13 gjelder for tørr plate. Unntak fra denne tabellen er angitt i deleboken og/eller i instruksjonsboken. Tiltrekkningsmomenter for skruer og mutre med riflet underkant, som Tensilock (K100) og Whizlock 10% tillegg.

serial number 77325-77326

C16

EXACTA HL

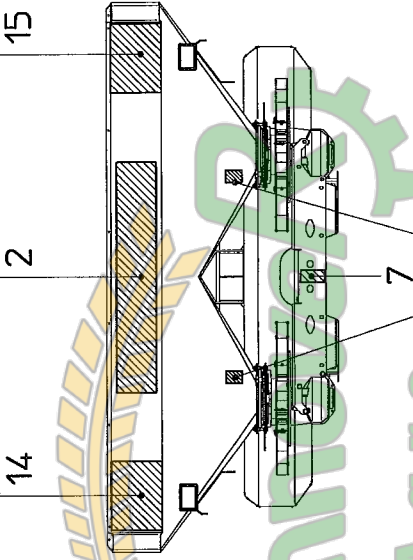
5000
4000
3000
2000
1500
1000
750
500
400
300
200



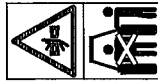
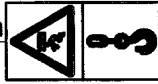
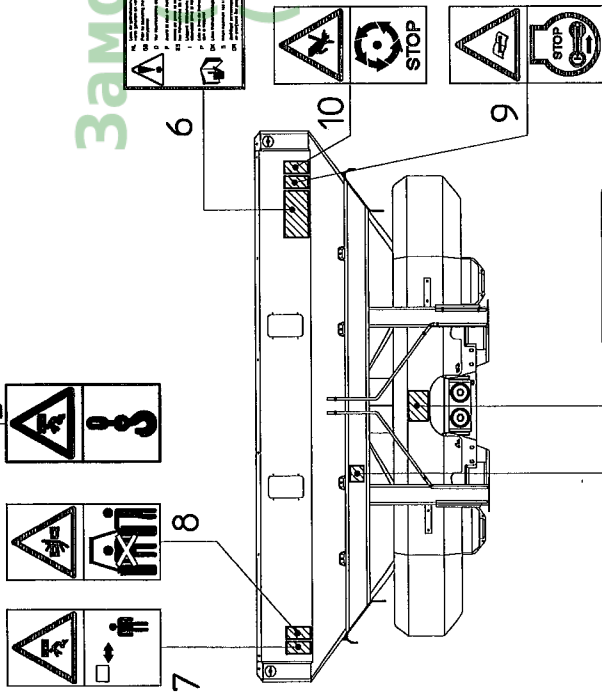
1	VNB3439474	1
2	VNB3405574	1
3	VGTR2059	2
4	VGTR1010	2
5	VGTR2039	1
6	VNB0903374	1
7	VGTR2015	2
8	VGTR2011	1
9	VGTR2005	1
10	VGTR2023	1
11	VNB3444974	1
12	VNB3413274	2
13	VNB3479574	2
14	VNB3352774	1
15	VNB3352874	1
16	AC748748	1

bestelnummer
ordernummer
num. o commander
Bestellnummer

ACCORD

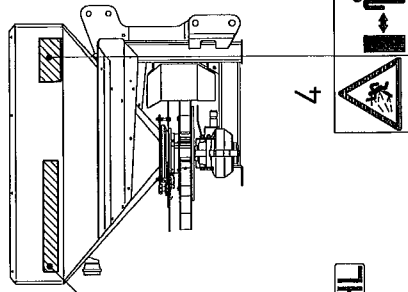


Агро
Замовлення запчасти
-407-68-47
(050)-407-68-45

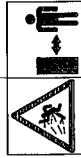


Max. laadvermogen
Max. load capacity
max. nuzlast
Chargement max.
3300KG

ETC	REIN	REIN	REIN	REIN	REIN	REIN	REIN	REIN	REIN
1	2	3	4	5	6	7	8	9	10
470	540	610	680	750	820	890	960	1030	1100
525	595	665	735	805	875	945	1015	1085	1155



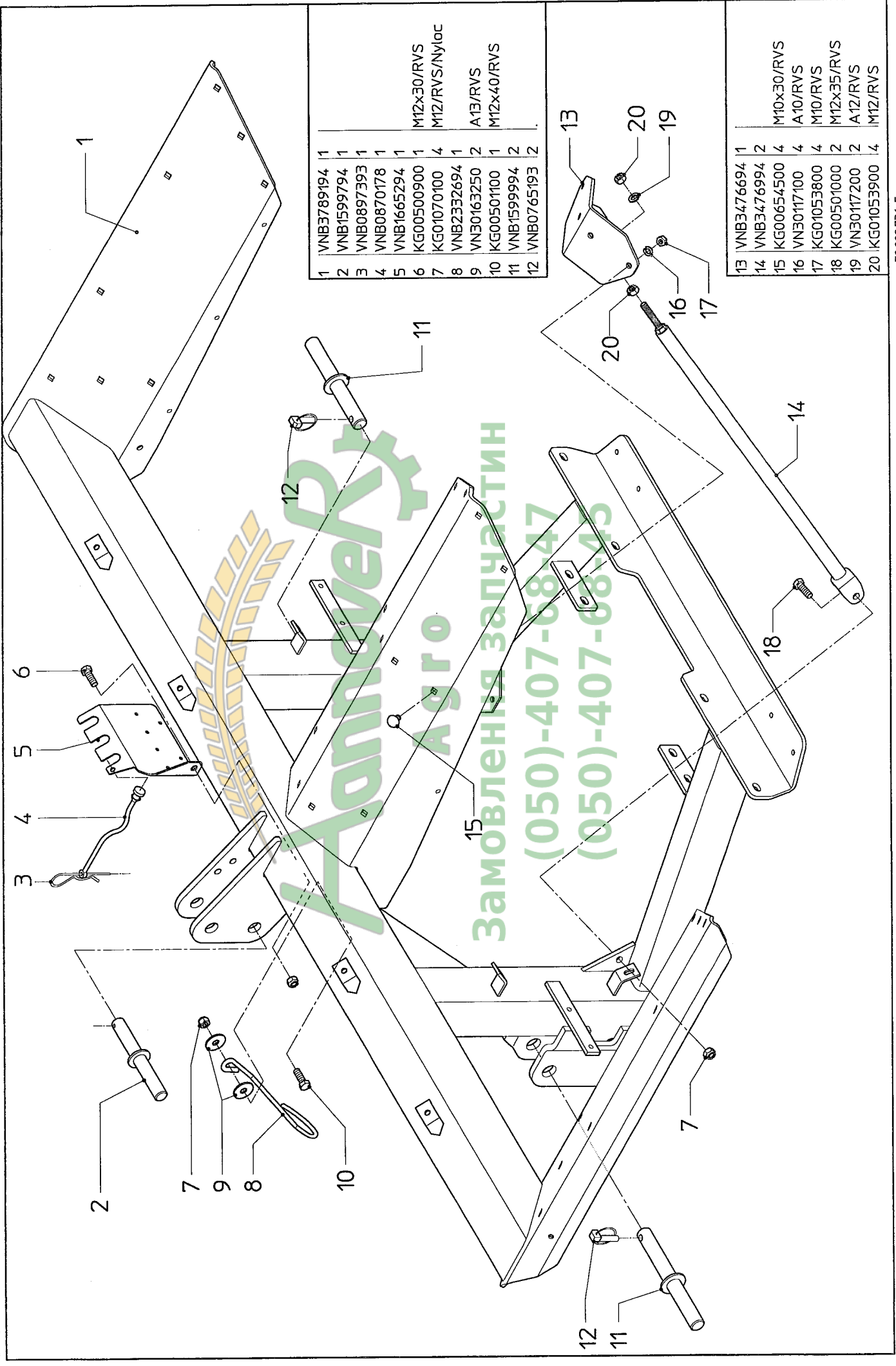
EXACTA-HL



serial number 77326

H1

EXACTA HL



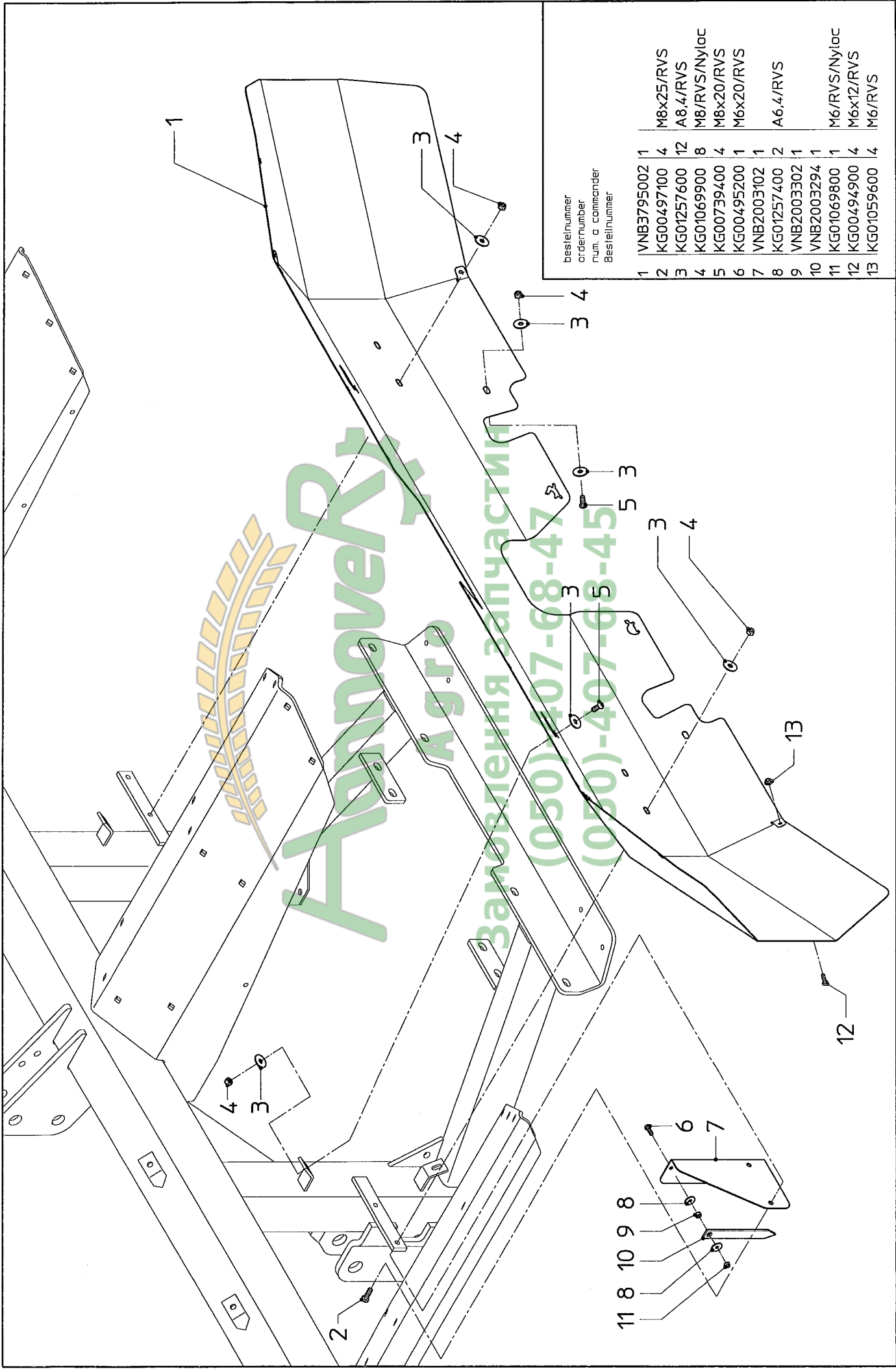
1	VNB3789194	1	M12x30/RVS
2	VNB1599794	1	M12/RVS/Nyloc
3	VNB0897393	1	A13/RVS
4	VNB0870178	1	M12x40/RVS
5	VNB1665294	1	
6	KG00500900	1	
7	KG01070100	4	
8	VNB2332694	1	
9	VNB0163250	2	
10	KG00501100	1	
11	VNB1599994	2	
12	VNB0765193	2	

13	VNB3476694	1	M10x30/RVS
14	VNB3476994	2	A10/RVS
15	KG00654500	4	M10/RVS
16	VNB0117100	4	M12x35/RVS
17	KG01053800	4	A12/RVS
18	KG00501000	2	M12/RVS
19	VNB0117200	2	
20	KG01053900	4	

serial number 77326

H2

EXACTA HL



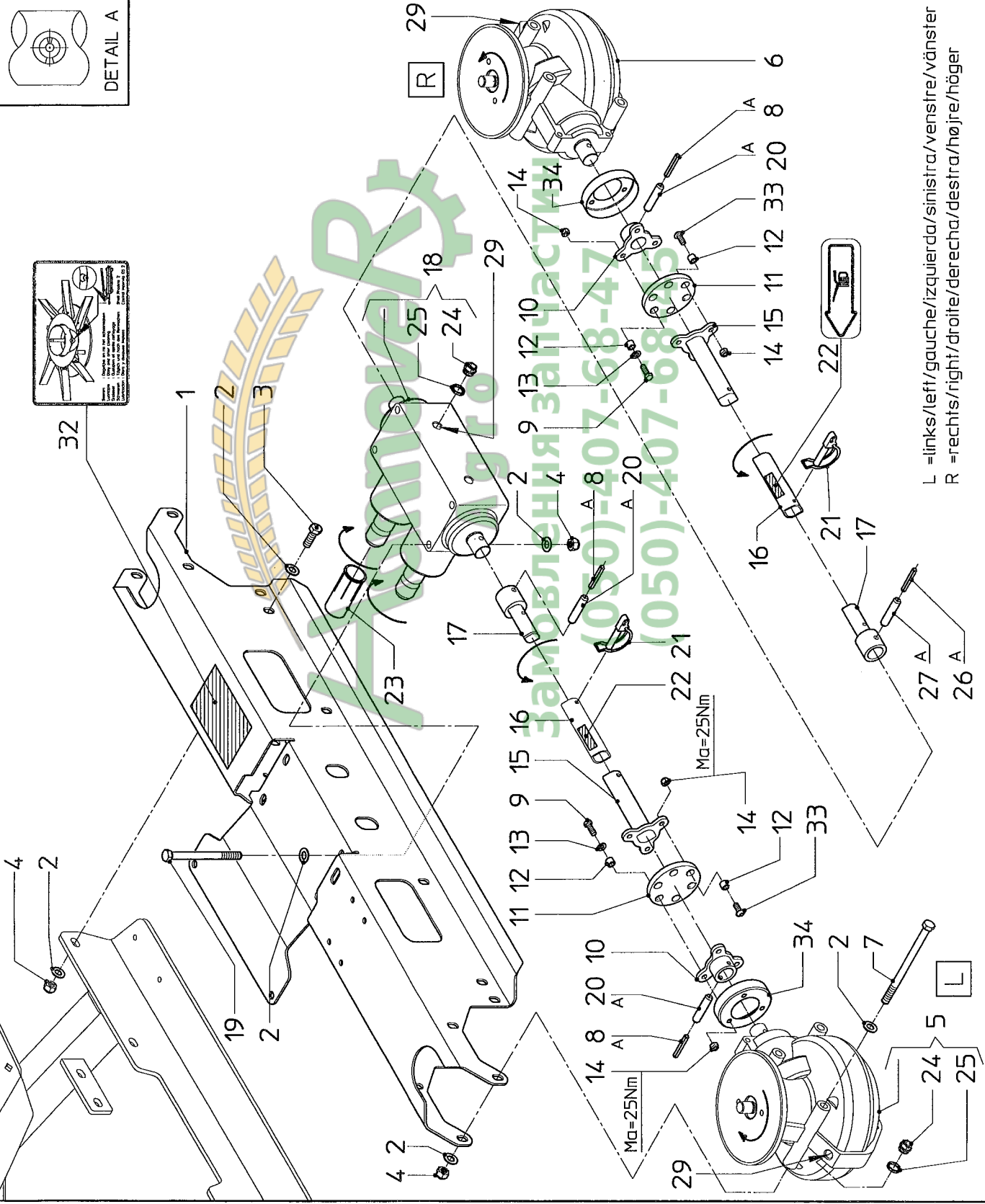
bestelnummer
ordernumber
num. o commander
Bestelnummer

1	VNB3795002	1	M8x25/RVS
2	KG00497100	4	A8,4/RVS
3	KG01257600	12	M8/RVS/Nyloc
4	KG01069900	8	M8x20/RVS
5	KG00739400	4	M6x20/RVS
6	KG00495200	1	A6,4/RVS
7	VNB2003102	1	M6/RVS/Nyloc
8	KG01257400	2	M6x12/RVS
9	VNB2003302	1	M6/RVS
10	VNB2003294	1	
11	KG01069800	1	
12	KG00494900	4	
13	KG01059600	4	

serial number 77326

H3

EXACTA HL



L = links/left/gauche/izquierda/sinistra/venstre/vänster
 R = rechts/right/droite/derecha/destra/højre/höger

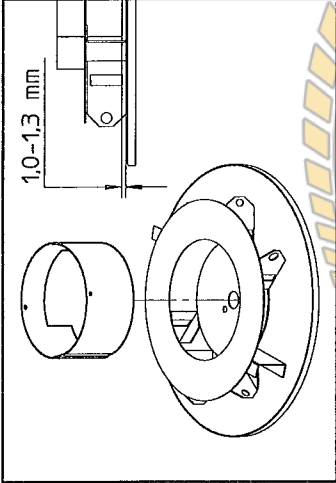
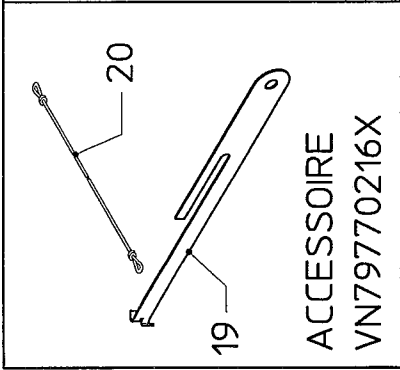
bestelnnummer
 ordernummer
 num. a commander
 Bestellnummer

1	VNB3789094	1	13/RVS
2	KG01264100	36	M12x35/RVS
3	KG00501000	8	M12/RVS/Nyloc
4	KG01070100	18	L
5	VNB3251078	1	R
6	VNB3250878	1	M12x170/RVS
7	KG00399800	6	5x40/DM
8	KG01188262	3	M8x30/RVS
9	KG00497200	6	
10	VNB1593594	2	
11	VNB2447578	2	
12	VNB2447602	12	8,4/RVS
13	KG01263900	6	M8/RVS/Nyloc
14	KG01069900	12	
15	VNB3788694	2	
16	VNB3391393	2	
17	VNB3788894	2	
18	VNB3250778	1	M12x130/RVS
19	KG00399400	4	8x40/DM
20	KG01191862	3	
21	VNB0682993	2	
22	VN90090191	2	
23	VNB3550678	1	
24	VNB3588378	6	
25	VNB3588478	6	
26	KG01188562	1	5x60/DM
27	KG01192162	1	8x60/DM
29		X	Gear Grease EP-00/000
32	VNB3679274	1	M8x25/RVS
33	RG00050664	6	
34	VNB3910902	2	

serial number 77326

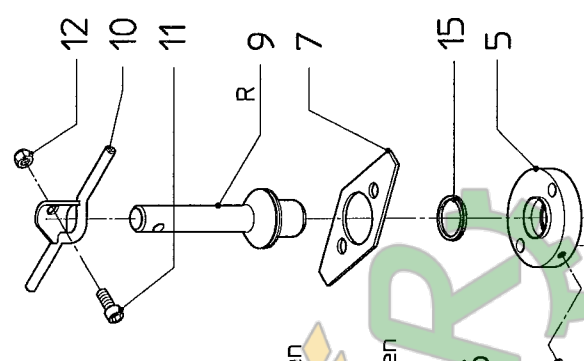
H4

EXACTA HL

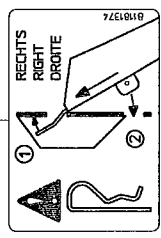
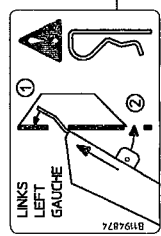
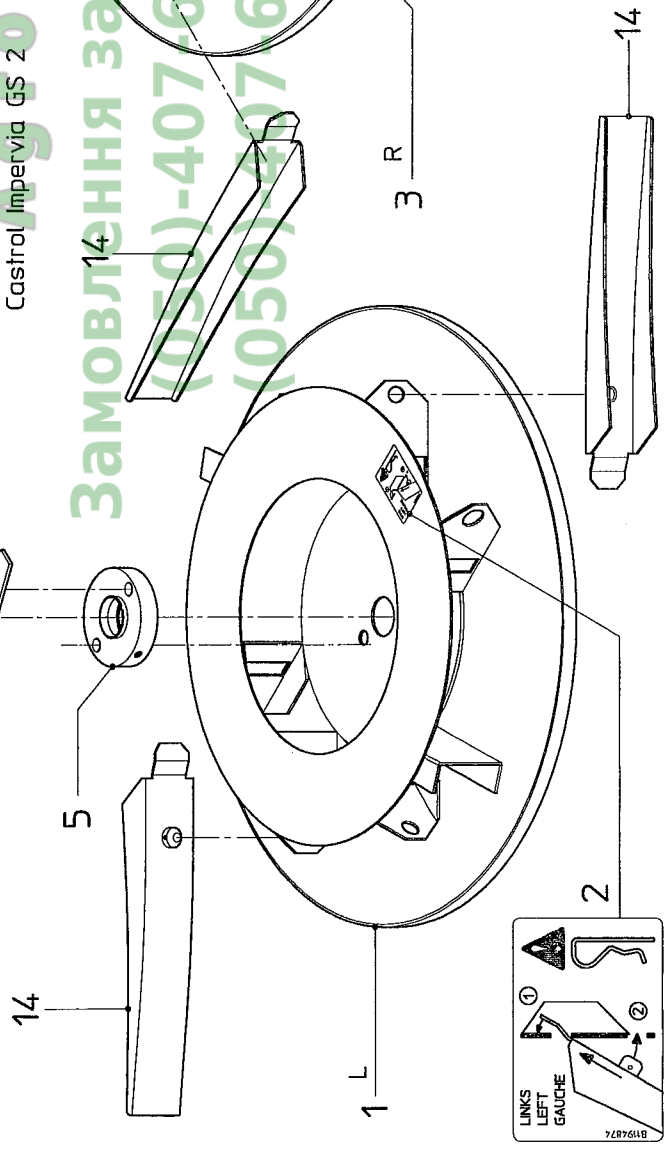


Smeren : Dagelijks en na het schoonmaken
 Lubricate : Daily and after cleaning
 Graisser : Quotidien et après nettoyage
 Schmierem : Täglich und nach dem Reimmachen
 Lubricación : Diaria y despues limpieza

1	VNB3414002	1	L	
2	VNB1194874	1	L	
3	VNB3414102	1	R	
4	VNB1181374	1	R	
5	VNB3388394	2	M10x30/RVS	
6	KG00498800	4		
7	VNB3388402	2		
8	VNB3388194	1	L	
9	VNB3388294	1	R	
10	VNB3717802	2		
11	KG00565700	2	M8x35/RVS	
12	KG01069900	2	M8/RVS/Nyloc	
13	VNB1082102	12		
14	VNB1060002	12	L=285	
15	VNB36112032	2	V32A	
16	VNB30130800	2	AM8x1/RVS	
17	KG01283300	4	A10.5/RVS	
<hr/>				
19	VN79770216X1		ACCESSOIRE	
20	VNB1709302	1		
	VNB1754278	1		



Shell Rhodina 2
Castrol Impervia GS 20

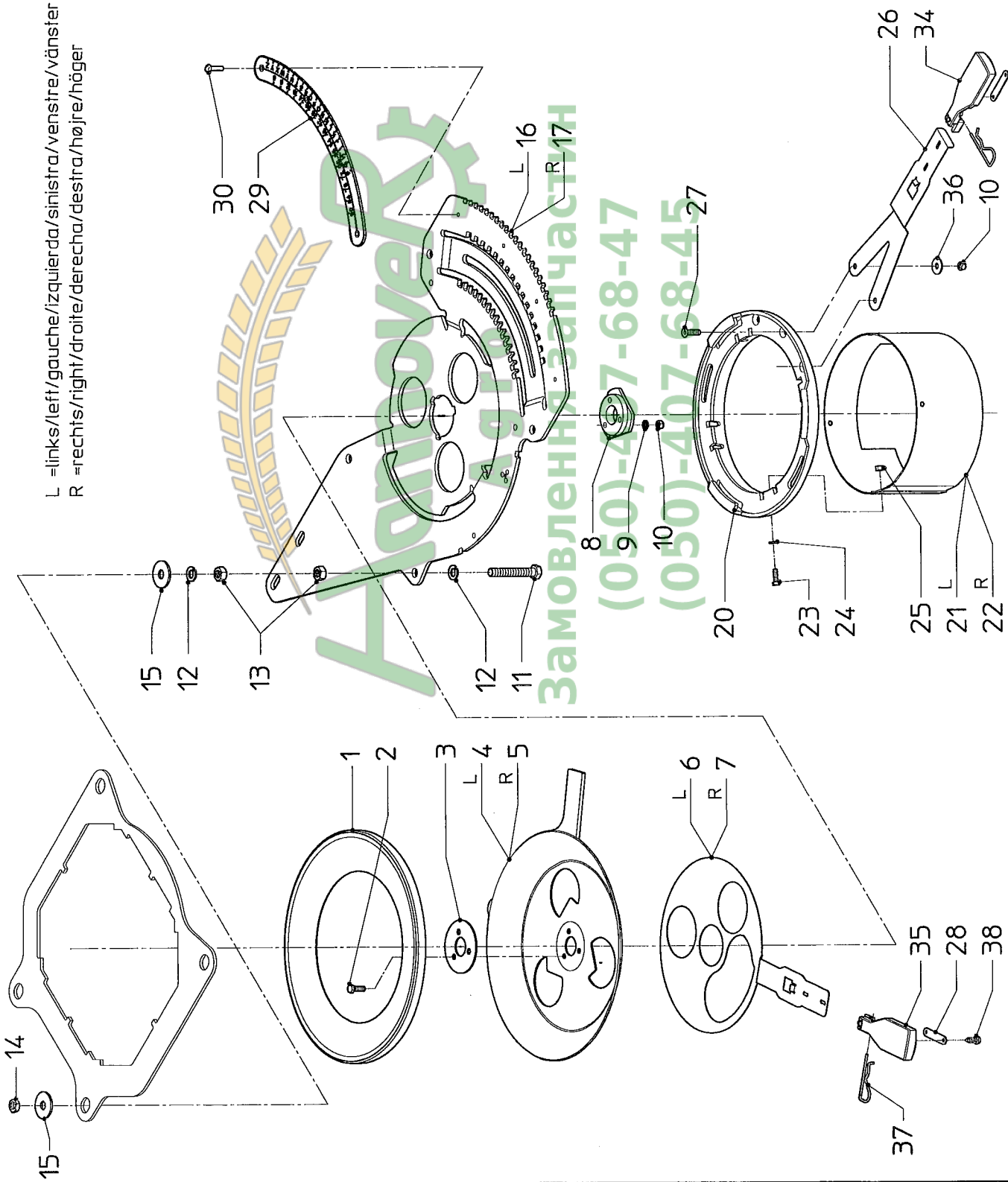


L =links/left/gauche/izquierda/sinistra/venstre/vänster
 R =rechts/right/droite/derecha/destra/højre/höger

serial number 77326

H5

EXACTA HL



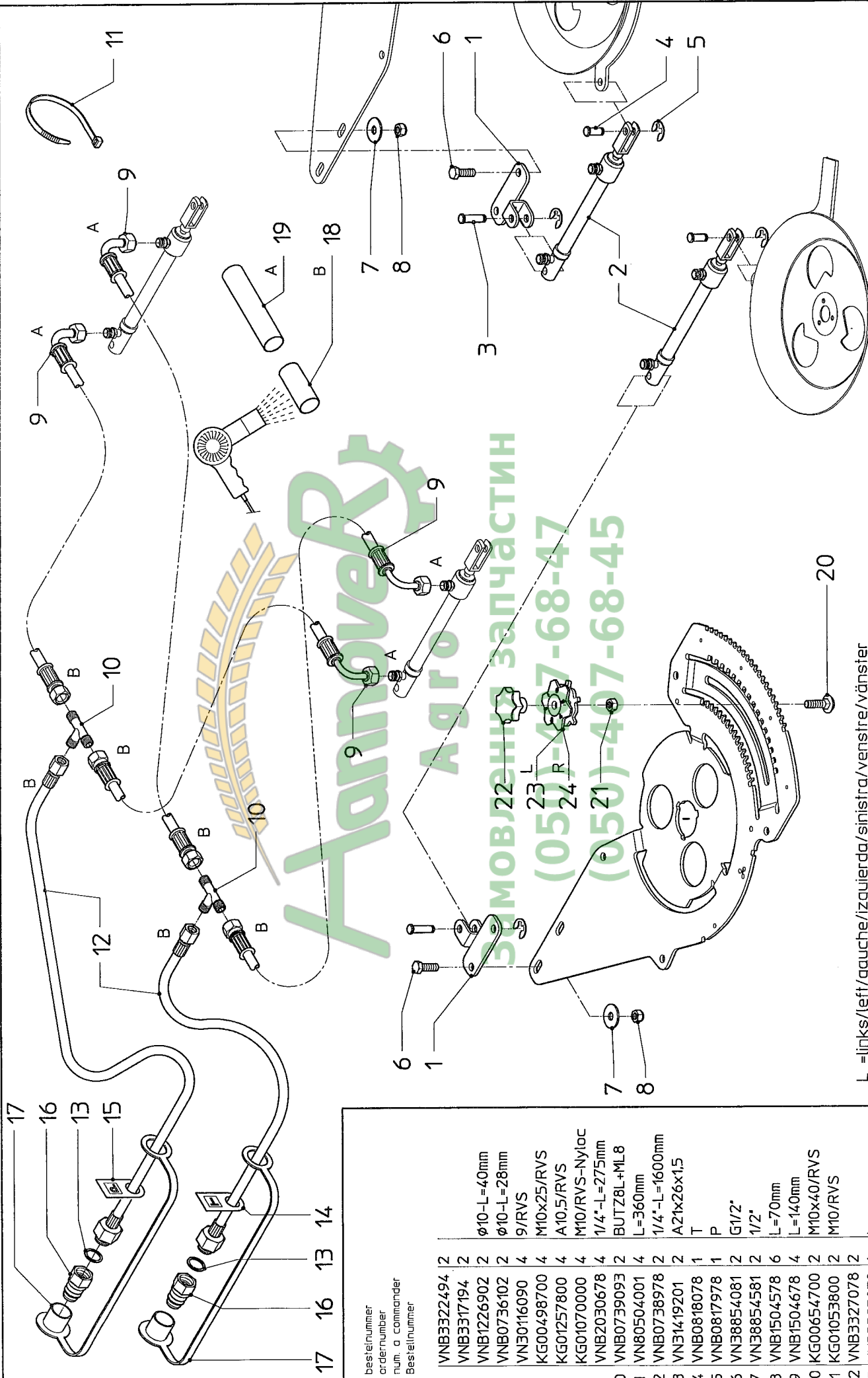
bestellnummer
ordernummer
num. a commander
Bestellnummer

1	VNB3317278	2	M6x25/RVS
2	KG00495300	6	L
3	VNB1578702	2	R
4	VNB3317702	1	L
5	VNB3317802	1	R
6	VNB3559702	1	A6/RVS
7	VNB3559802	1	M6/RVS/Nyloc
8	VNB2544278	2	M10x65/RVS
9	VNB0117600	6	A10
10	KG01069800	10	M10/RVS
11	KG00499500	8	M10/RVS/Form B
12	VNB0117100	16	A10.5/RVS
13	KG01053800	16	L
14	KG01044900	8	R
15	KG01257800	16	M5x16/RVS
16	VNB3322194	1	5.3/RVS
17	VNB3322294	1	M5/RVS/Nyloc
20	VNB1617078	2	M6x16/RVS
21	VNB3319102	1	4x8/RVS
22	VNB3319202	1	A6.4/RVS
23	KG00713700	8	3.5x9.5/RVS
24	KG01263700	8	
25	KG01069700	8	
26	VNB3559602	2	
27	KG00870000	4	
28	VNB3559902	4	
29	VNB3342278	2	
30	VNB30109004	8	
34	VNB3559478	2	
35	VNB3559578	2	
36	KG01257400	4	
37	VNB1082102	4	
38	KG00747600	8	

serial number 77326

H6

EXACTA HL



bestennummer
 ordernummer
 num. a commander
 Bestelnummer

1	VNB3322494	2	1	VNB0739093	2
2	VNB3317194	2	2	VNB0504001	4
3	VNB1226902	2	2	VNB0738978	2
4	VNB0736102	2	2	VN31419201	2
5	VN30116090	4	1	VNB0818078	1
6	KG00498700	4	1	VNB0817978	1
7	KG01257800	4	2	VN38854081	2
8	KG01070000	4	2	VN38854581	2
9	VNB2030678	4	6	VNB1504578	6
10	VNB0739093	2	4	VNB1504678	4
11	VNB0504001	4	2	KG00654700	2
12	VNB0738978	2	2	KG01053800	2
13	VN31419201	2	2	VNB3327078	2
14	VNB0818078	1	1	VNB3323078	1
15	VNB0817978	1	1	VNB3323178	1
16	VN38854081	2			
17	VN38854581	2			
18	VNB1504578	6			
19	VNB1504678	4			
20	KG00654700	2			
21	KG01053800	2			
22	VNB3327078	2	L		
23	VNB3323078	1	R		
24	VNB3323178	1			

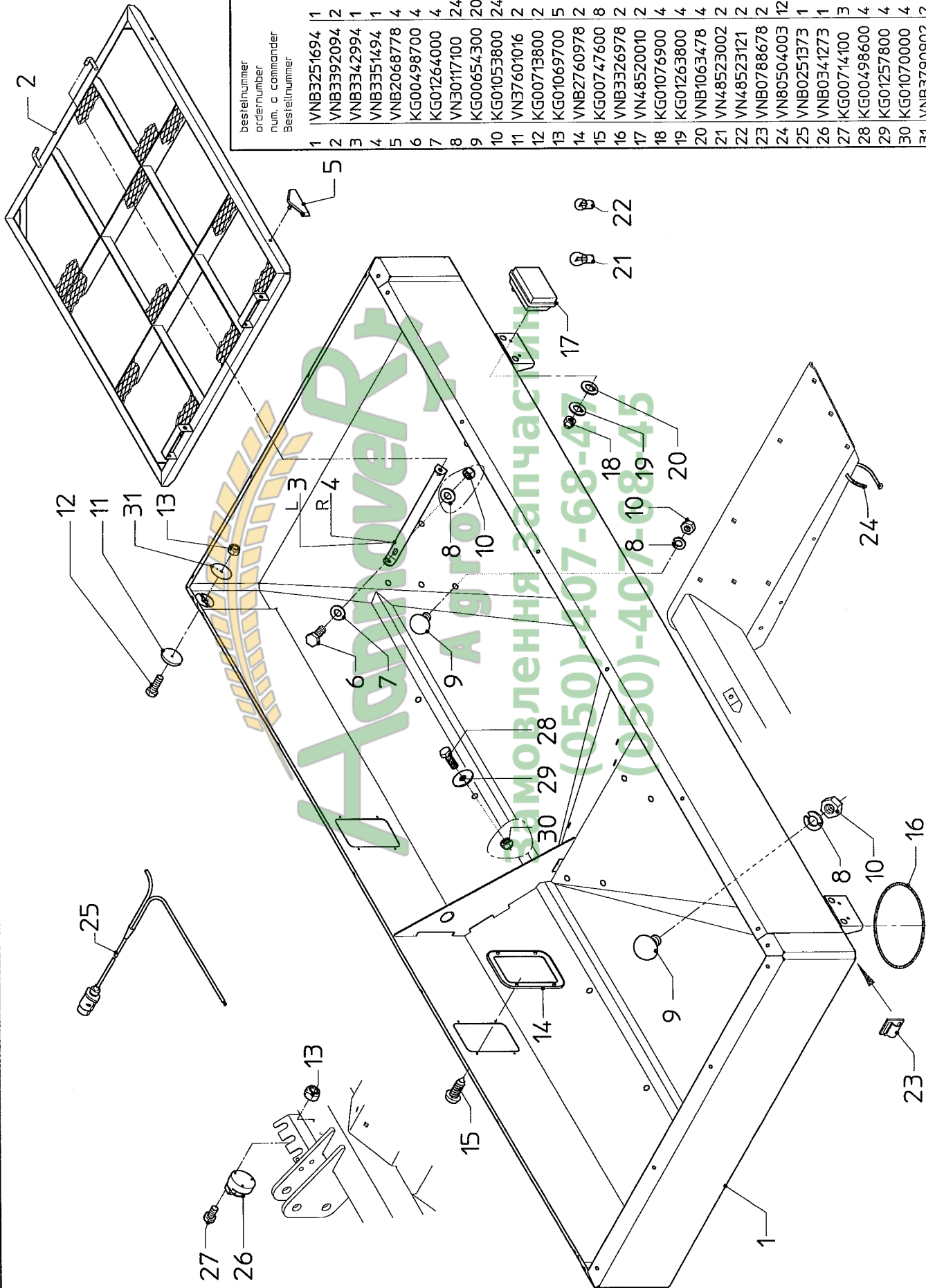
ø10-L=40mm
 ø10-L=28mm
 9/RVS
 M10x25/RVS
 A10,5/RVS
 M10/RVS-Nyloc
 1/4"-L=275mm
 BUTZBL+ML8
 L=360mm
 1/4"-L=1600mm
 A21x26x1,5
 T
 P
 G1/2"
 1/2"
 L=70mm
 L=140mm
 M10x40/RVS
 M10/RVS

L = links/left/gauche/izquierda/sinistra/venstre/vänster
 R = rechts/right/droite/derecha/destra/højre/höger

serial number 77326

H7

EXACTA HL



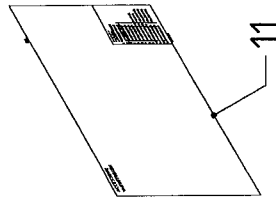
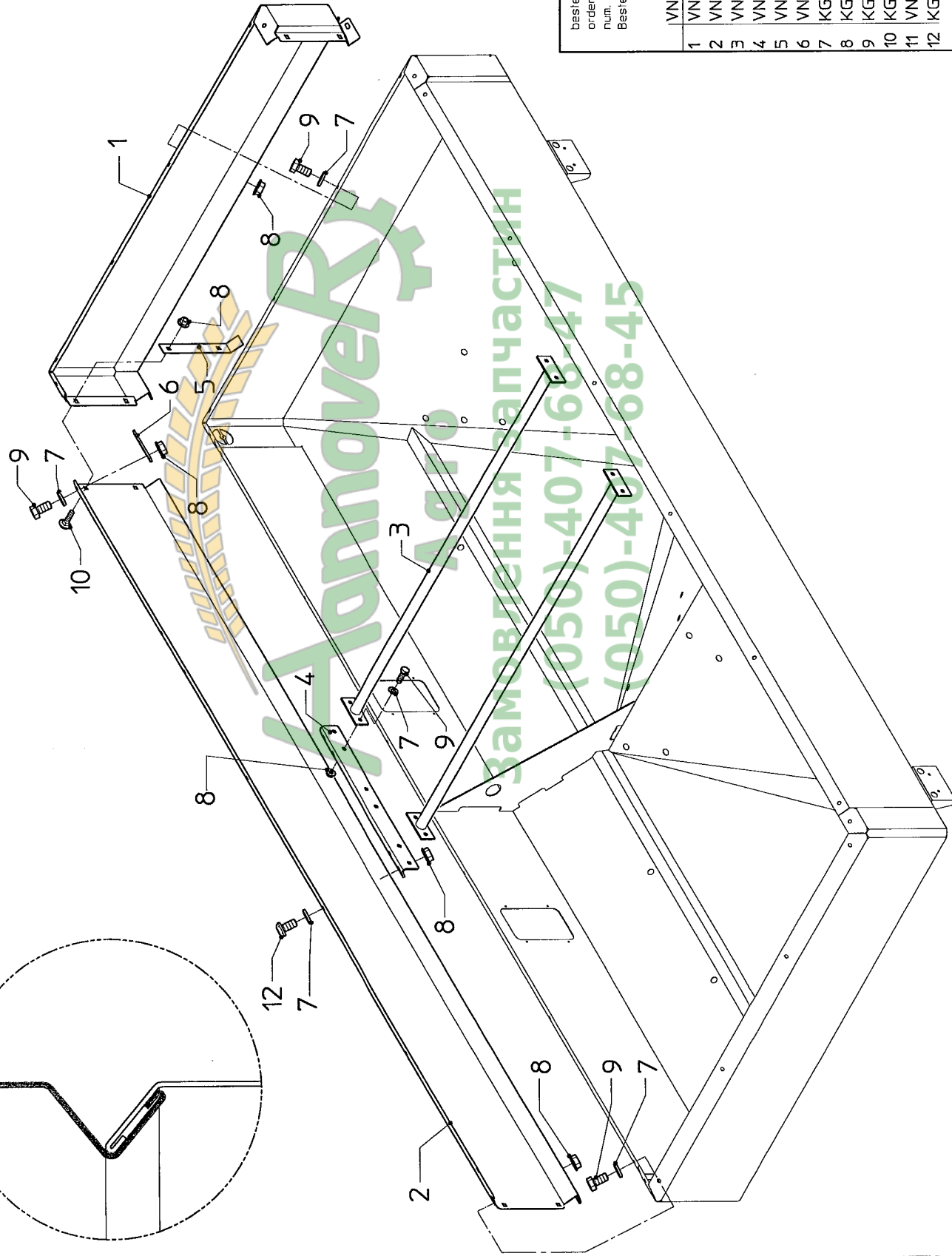
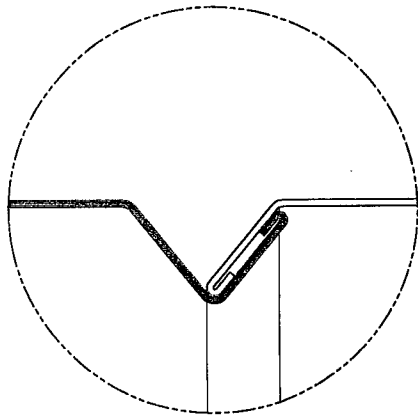
bestelnummer	ordernumber	num. a commander	Bestellnummer
1	VNB3251694	1	L
2	VNB3392094	2	R
3	VNB3342994	1	M10x25/RVS
4	VNB3351494	1	10,5/RVS
5	VNB2068778	4	A10/RVS
6	KG00498700	4	M10x20/RVS
7	KG01264000	4	M10/RVS
8	VN30117100	24	M5x20/RVS
9	KG00654300	20	M5/RVS/Nyloc
10	KG01053800	24	3,5X9,5/RVS
11	VN37601016	2	A4/M6/RVS
12	KG00713800	2	6,4/RVS
13	KG01069700	5	12V/21W
14	VNB2760978	2	12V/21-5W
15	KG00747600	8	200x4,7
16	VNB3326978	2	M5x35/RVS
17	VN48520010	2	M10x20/RVS
18	KG01076900	4	A10,5/RVS
19	KG01263800	4	M10/RVS/Nyloc
20	VNB1063478	4	
21	VN48523002	2	
22	VN48523121	2	
23	VNB0788678	2	
24	VN80504003	12	
25	VNB0251373	1	
26	VNB0341273	1	
27	KG00714100	3	
28	KG00498600	4	
29	KG01257800	4	
30	KG01070000	4	
31	VNB3790902	12	

serial number 77326

H8

EXACTA HL

ACCESSOIRE
VN79770549X



bestelnummer
ordernumber
num. a commander
Bestellnummer

VN79770549X1		
1	VNB3390894	2
2	VNB3390994	2
3	VNB3402694	2
4	VNB3402594	2
5	VNB3391094	4
6	VNB3440294	4
7	KG01263900	52
8	KG01059700	52
9	KG00496900	40
10	KG00652700	8
11	VN70009651	1
12	KG00739400	4

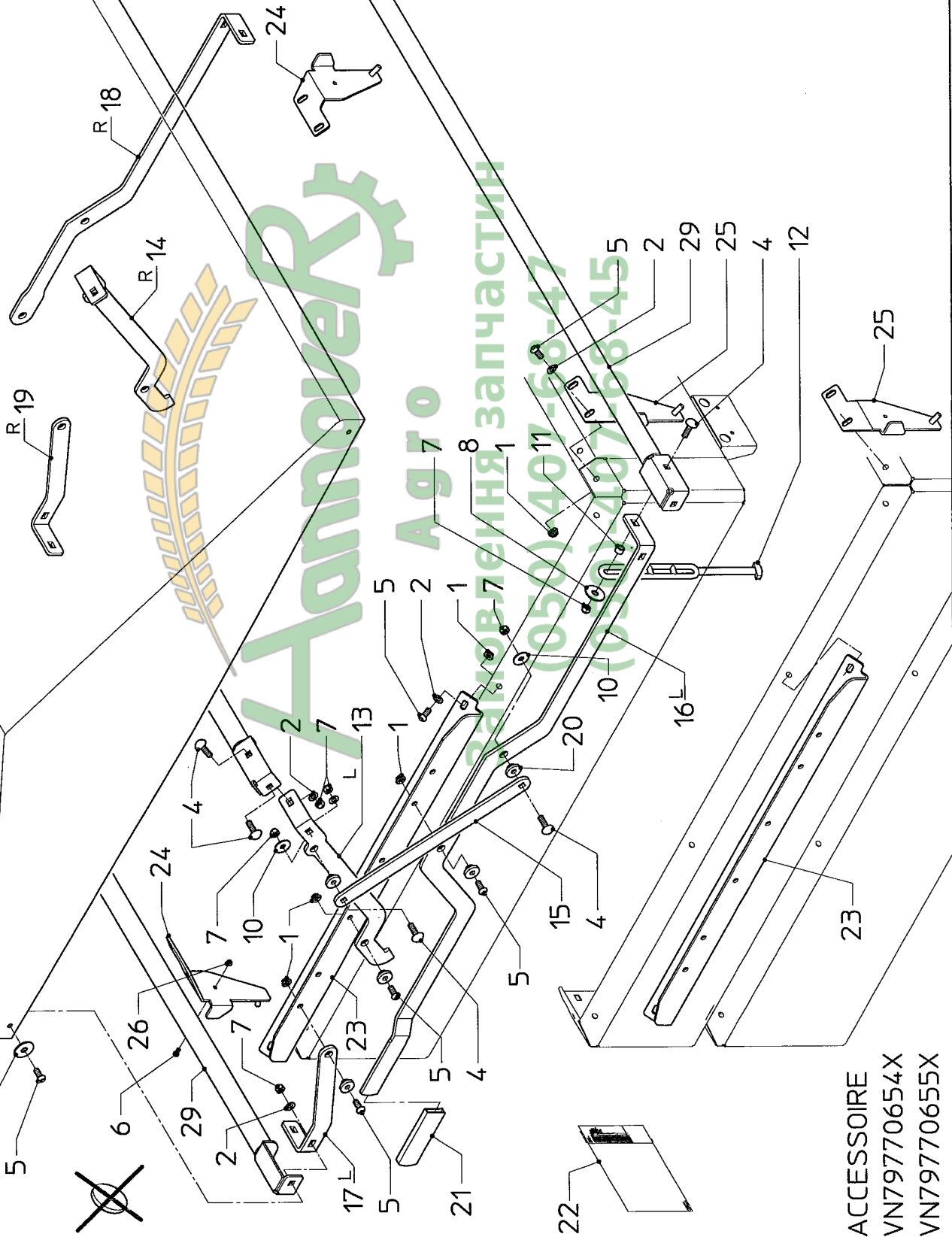
8,4/RVS
M8/RVS
M8x20/RVS
M8x20/RVS
M8x20/RVS

serial number 77326

H9

EXACTA HL

L =links/left/gauche/izquierda/sinistra/venstre/vänster
R =rechts/right/droite/derecha/destra/højre/höger



ACCESSOIRE
VN79770654X
VN79770655X

bestelnnummer
ordernummer
num. a commander
Bestellnummer

1	VN79770654X1		
2	KG01059700	20	M8/RVS
4	KG01263900	20	8,4/RVS
5	KG00652900	12	M8x30/RVS
6	KG00739500	24	M8x25/RVS
7	KG00713700	2	M5x16/RVS
8	KG01069900	16	M8/RVS/Nyloc
10	KG01257800	8	A10,5/RVS
11	KG01257600	4	A8,4/RVS
12	VNB2092402	4	
13	VNB3443478	4	L
14	VNB3602694	1	R
15	VNB3602794	2	
16	VNB3603194	1	L
17	VNB3707994	1	L
18	VNB3603394	1	R
19	VNB3708094	1	R
20	VNB3603594	1	R
21	VNB3603602	10	
22	VN90070600	1	
23	VN70009712	1	
24	VNB3707694	2	
25	VNB3717094	2	
26	VNB3717294	2	
26	KG01069700	2	M5/RVS/Nyloc

VN79770655X1

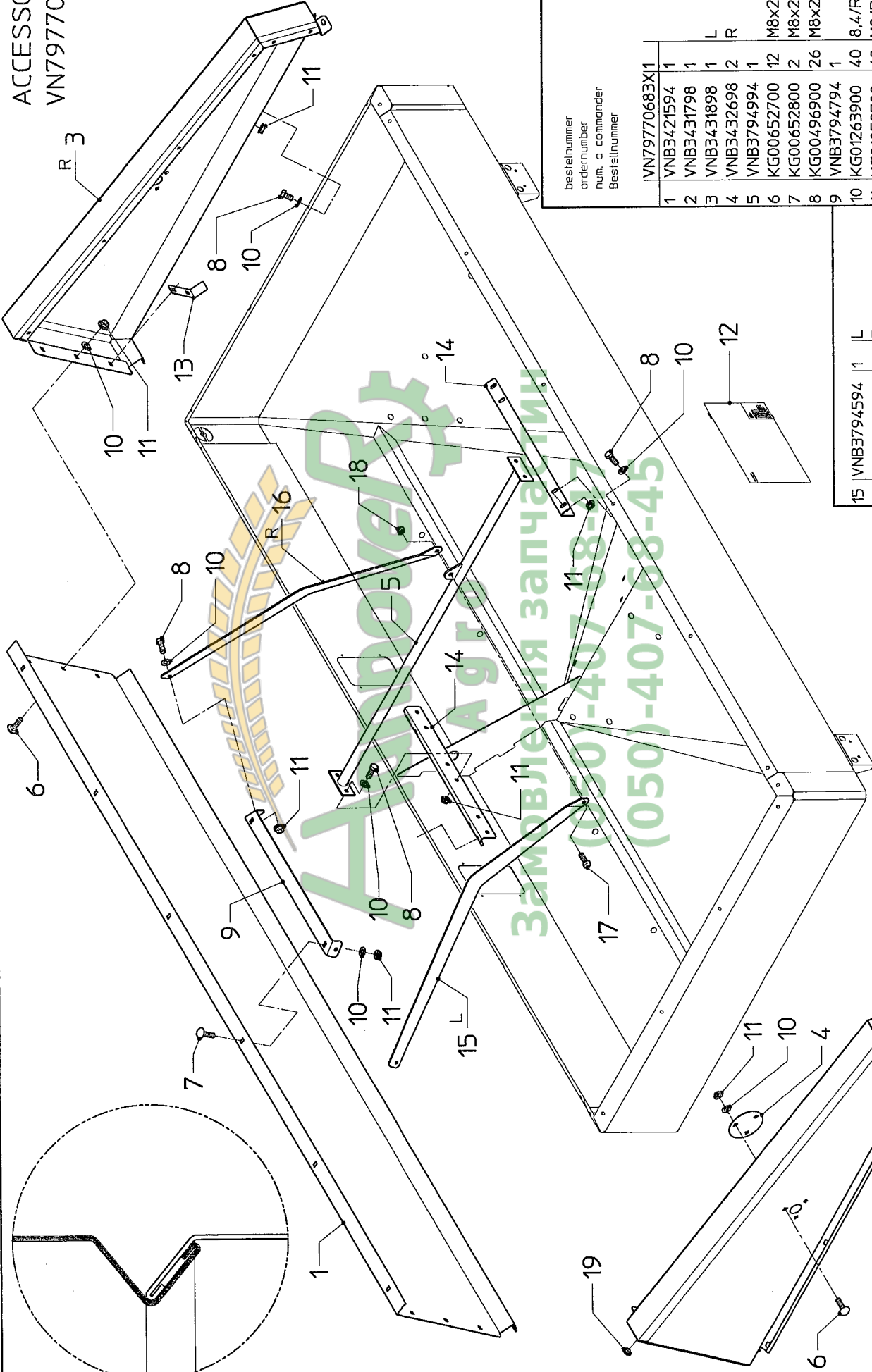
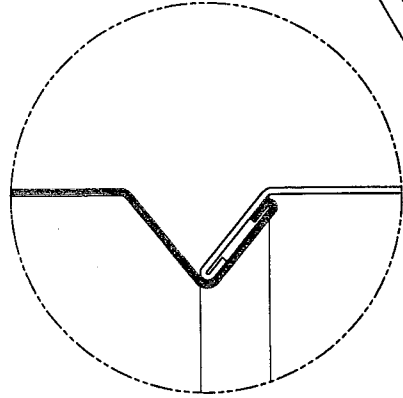
29 VNB3707494 13

30 VNB3707778 11

serial number 77326

H10

EXACTA HL



ACCESSOIRE
VN79770683X

bestelnnummer
ordernummer
num. a commander
Bestellnummer

	VN79770683X	1	
1	VNB3421594	1	
2	VNB3431798	1	
3	VNB3431898	1	L R
4	VNB3432698	2	M8x20/RVS
5	VNB3794994	1	M8x25/RVS
6	KG00652700	12	M8x20/RVS
7	KG00652800	2	
8	KG00496900	26	
9	VNB3794794	1	8,4/RVS
10	KG01263900	40	M8/RVS
11	KG01059700	40	
12	VN70009760	1	
13	VNB3751394	2	
14	VNB3402594	2	

15	VNB3794594	1	L
16	VNB3794694	1	R
17	KG00498800	1	M10x30/RVS
18	KG01070000	1	M10/RVS/Nylac
19	VNB3698378	2	

L =links/left/gauche/izquierda/sinistra/venstre/vänster
R =rechts/right/droite/derecha/desira/højre/höger

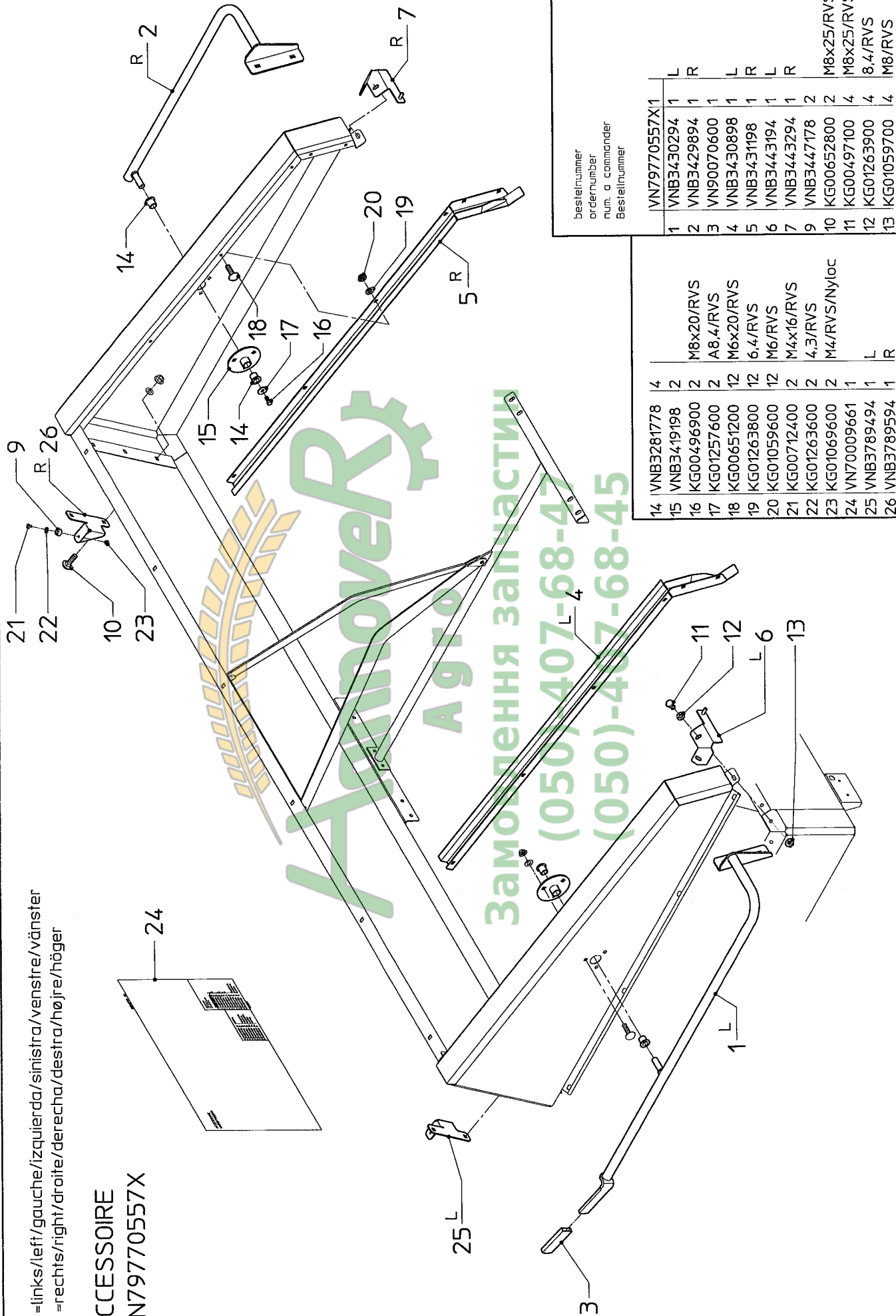
serial number 77326

H11

EXACTA HL

L =links/left/gauche/izquierda/sinistra/venstre/vänster
R =rechts/right/droite/derecha/destra/højre/höger

ACCESSOIRE
VN79770557X



bestellnummer
ordernumber
num. a commander
Bestellnummer

VN79770557X	1	L	R	M8x25/RVS
VNB3430294	1	L	R	M8x25/RVS
VNB3429894	1	L	R	8.4/RVS
VN90070600	1	L	R	M8/RVS
VNB3430898	1	L	R	M8x25/RVS
VNB3431198	1	L	R	M8x25/RVS
VNB3443194	1	L	R	8.4/RVS
VNB3443294	1	L	R	M8/RVS
VNB3447178	2	L	R	M8x25/RVS
KG00652800	2	L	R	M8x25/RVS
KG00497100	4	L	R	8.4/RVS
KG01263900	4	L	R	M8/RVS
KG01059700	4	L	R	M8/RVS

VNB3281778	4	M8x20/RVS
VNB3419198	2	A8.4/RVS
KG00496900	2	M6x20/RVS
KG01257600	2	6.4/RVS
KG00651200	12	M6/RVS
KG01263800	12	M4x16/RVS
KG01059600	12	M4.3/RVS
KG00712400	2	M4/RVS/Nyloc
KG01263600	2	L
KG01069600	2	R
VN70009661	1	L
VNB3789494	1	R
VNB3789594	1	R

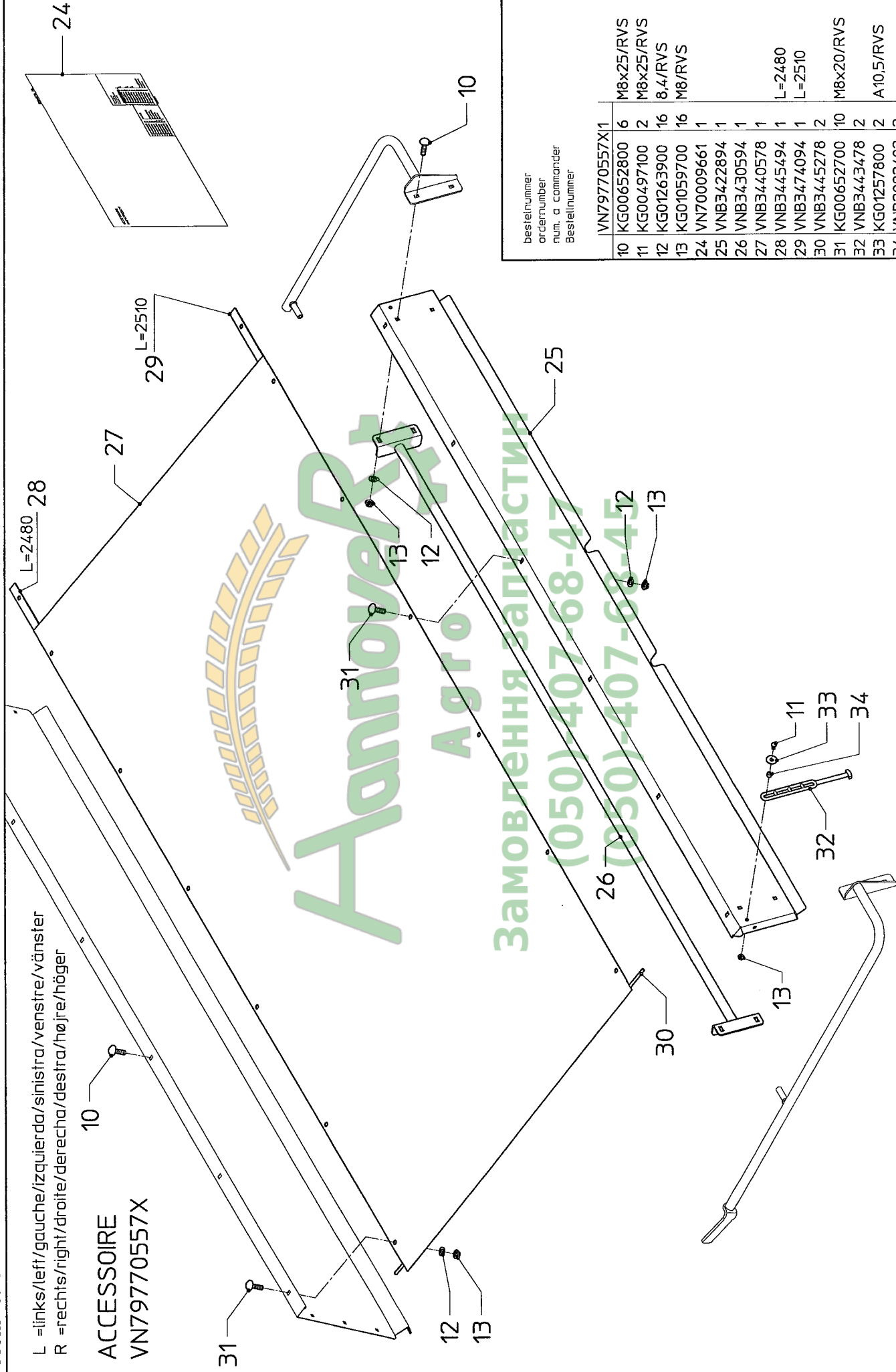
serial number 77326

H12

EXACTA HL

L =links/left/gauche/izquierda/sinistra/venstre/vänster
R =rechts/right/droite/derecha/destra/højre/höger

ACCESSOIRE
VN79770557X



bestelnnummer
ordernummer
num. a commander
Bestellnummer

VN79770557X1	M8x25/RVS	6
10 KG00652800	M8x25/RVS	2
11 KG00497100	8.4/RVS	16
12 KG01263900	M8/RVS	16
13 KG01059700		1
24 VN70009661		1
25 VNB3422894		1
26 VNB3430594		1
27 VNB3440578		1
28 VNB3445494	L=2480	1
29 VNB3474094	L=2510	2
30 VNB3445278	M8x20/RVS	10
31 KG00652700		2
32 VNB3443478	A10.5/RVS	2
33 KG01257800		2
34 VNB2092402		2

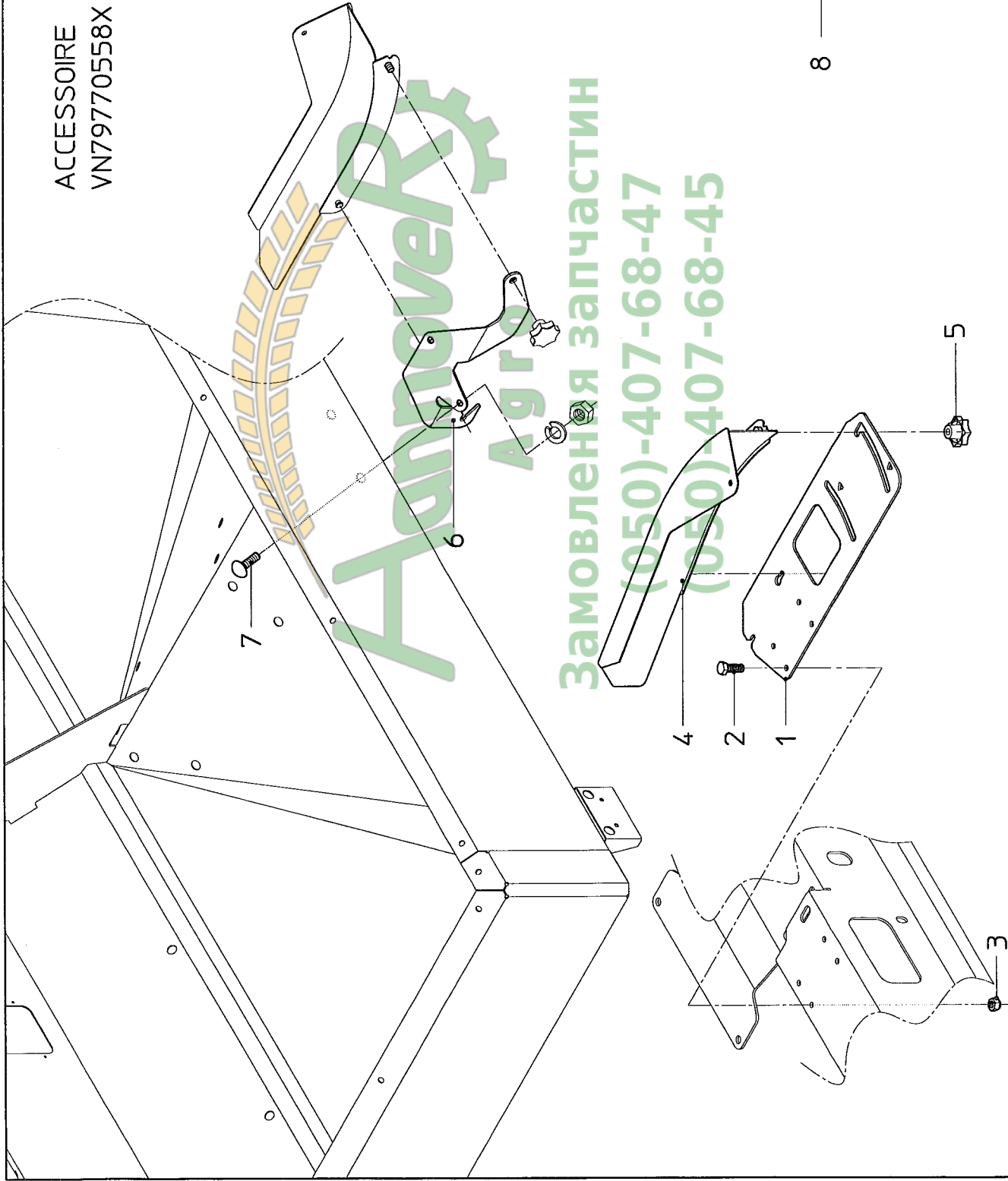
serial number 77326

H13

EXACTA-HL

ACCESSOIRE
VN79770558X

1	VN79770558X1	bestelnummer	
2	VNB3428494	ordernummer	
3	KG00496900	num. a commander	M8x20/RVS
4	KG01059700	Bestelnummer	M8/RVS
5	VNB3428094		
6	VNB3327078		
7	VNB3428594		
8	KG00654400		M10x25/RVS
	VN70009659		



Агротехніка

Замовлення запчастин
(050)-407-68-47
(050)-407-68-45

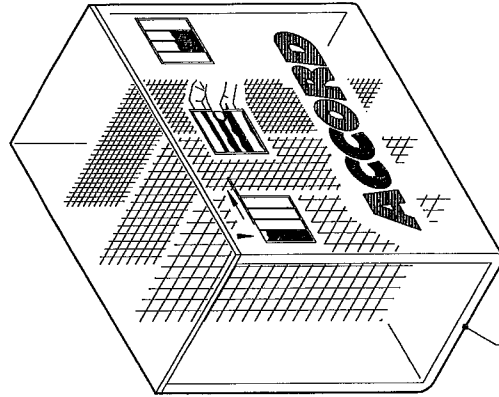
serial number 77326

H14

EXACTA HL

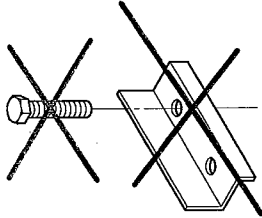
bestellnummer
ordernumber
num. o commander
Bestellnummer

1 | VN79770528 | 1 |



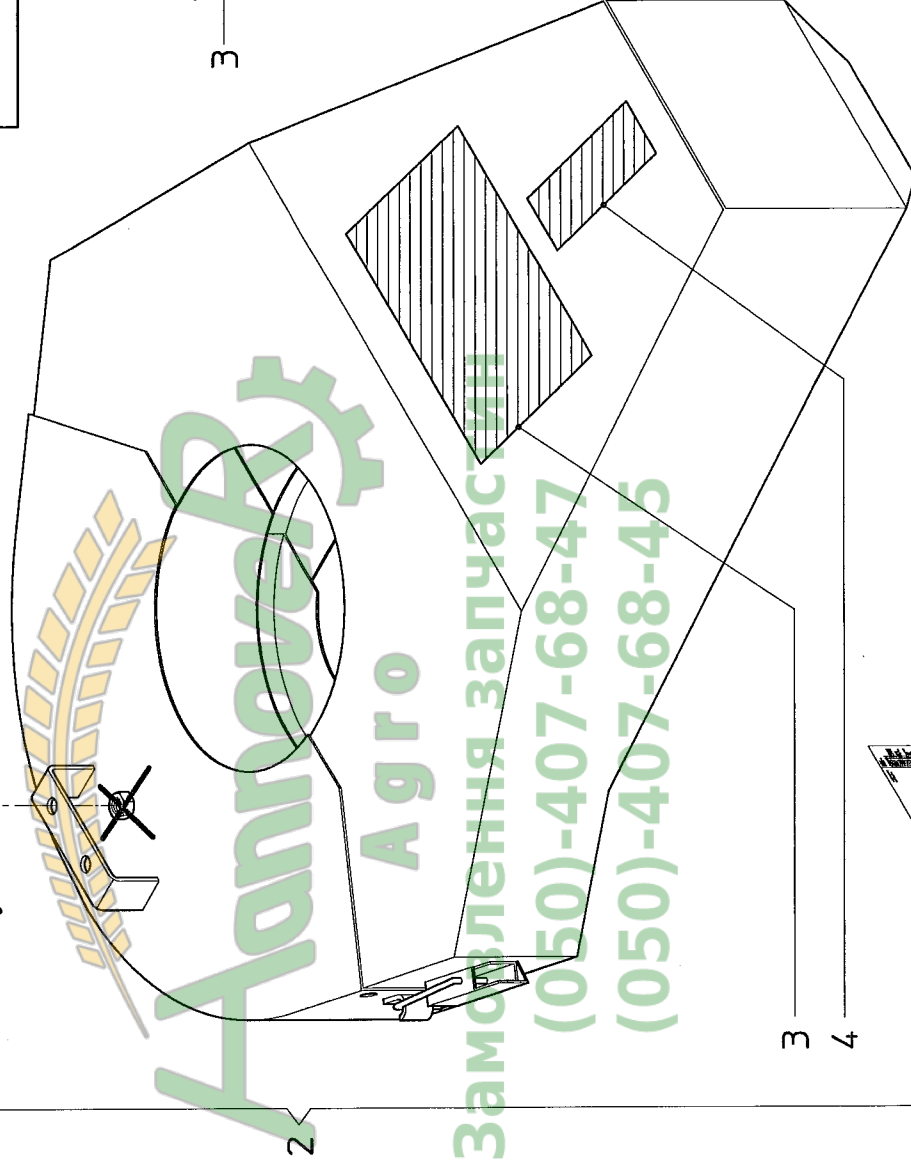
1

ACCESSOIRE
VN79770620

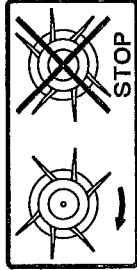


bestellnummer
ordernumber
num. o commander
Bestellnummer

2	VN79770620	1
3	VNB3708174	1
4	VGTR2023	1
5	VN70009711	1



2



3



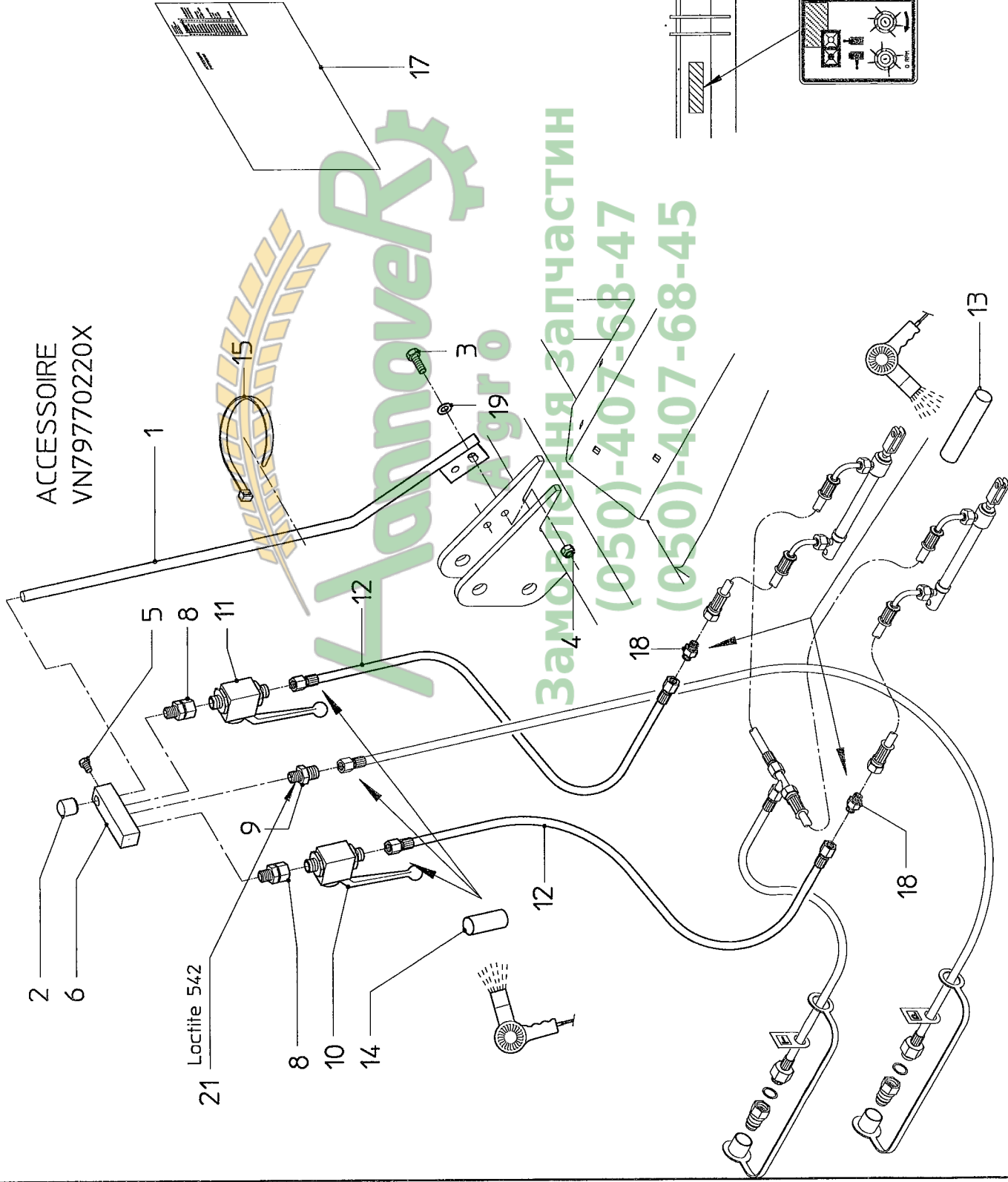
4

3

4

5

ACCESSOIRE
VN79770220X



bestelnnummer
ordernummer
num. o commander
Bestellnummer

1	VN79770220X	1
1	VNB1840194	1
2	VNB0854378	1
3	KG00501200	2
4	VN30598012	2
5	KG00498500	1
6	VNB1308693	1
8	VN38820225	2
9	VN38820194	1
10	VN17895704	1
11	VN17895703	1
12	VNB1797478	2
13	VNB1504678	2
14	VNB1504578	3
15	VN80504001	4
16	VNB1727574	1
17	VN70009207	1
18	VNB0854293	2
19	KG01264100	2
21		

M12x45/RVS
K10/M12/DM
M10x16/RVS

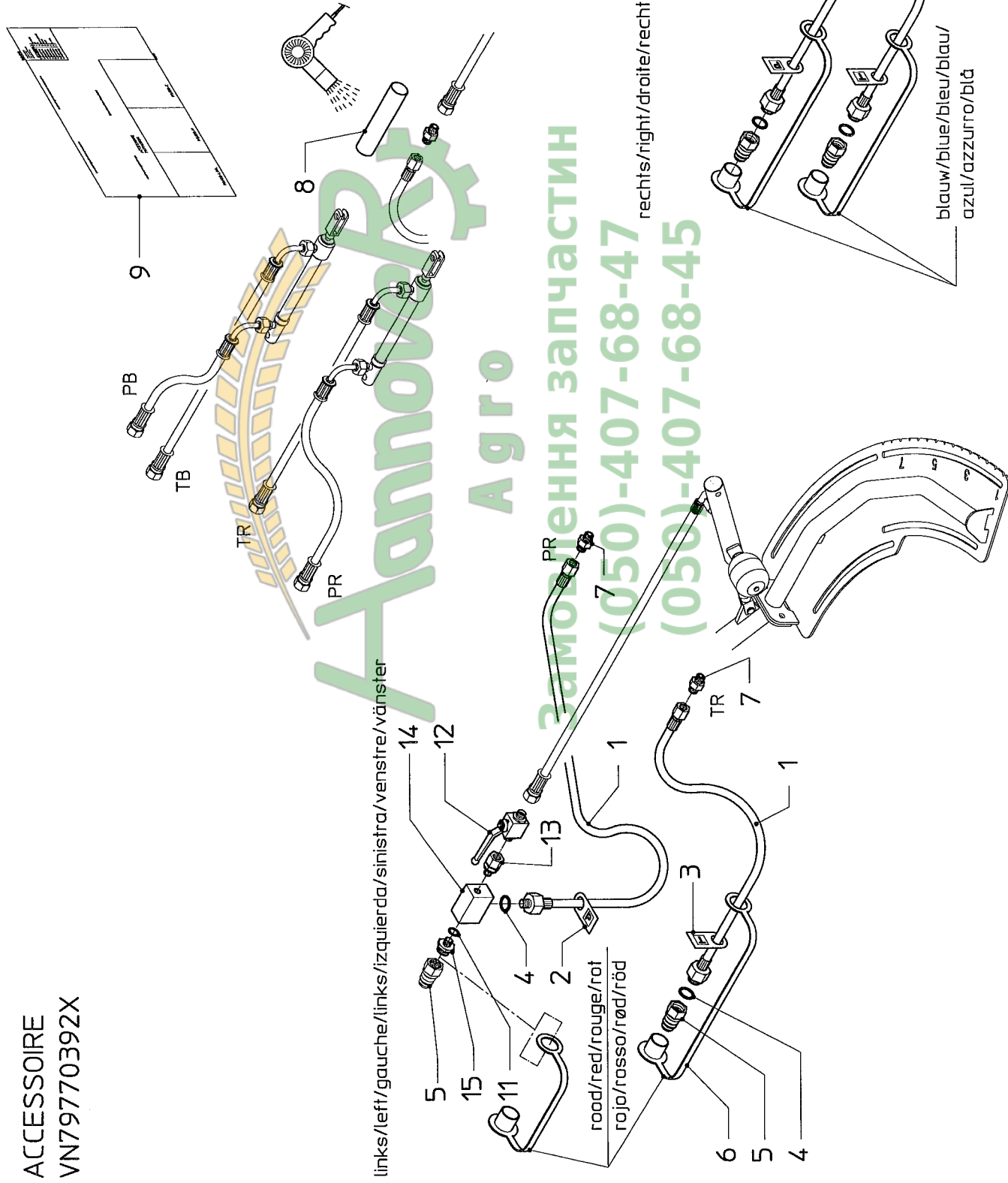
RAL 8M
S-GEV 8LM

1/4"-L=1250
L=140
L=70
L=360

13/RVS
Loctite 542

Анонове Р
Замовлення запчастин
(050)-407-68-47
(050)-407-68-45

ACCESSOIRE
VN79770392X



links/left/gauche/links/izquierda/sinistra/vestre/vänster

rood/red/rouge/rot
rojo/rosso/rød/röd

rechts/right/droite/derecha/destra/højre/höger

blauw/blue/bleu/blau/
azul/azzurro/blå

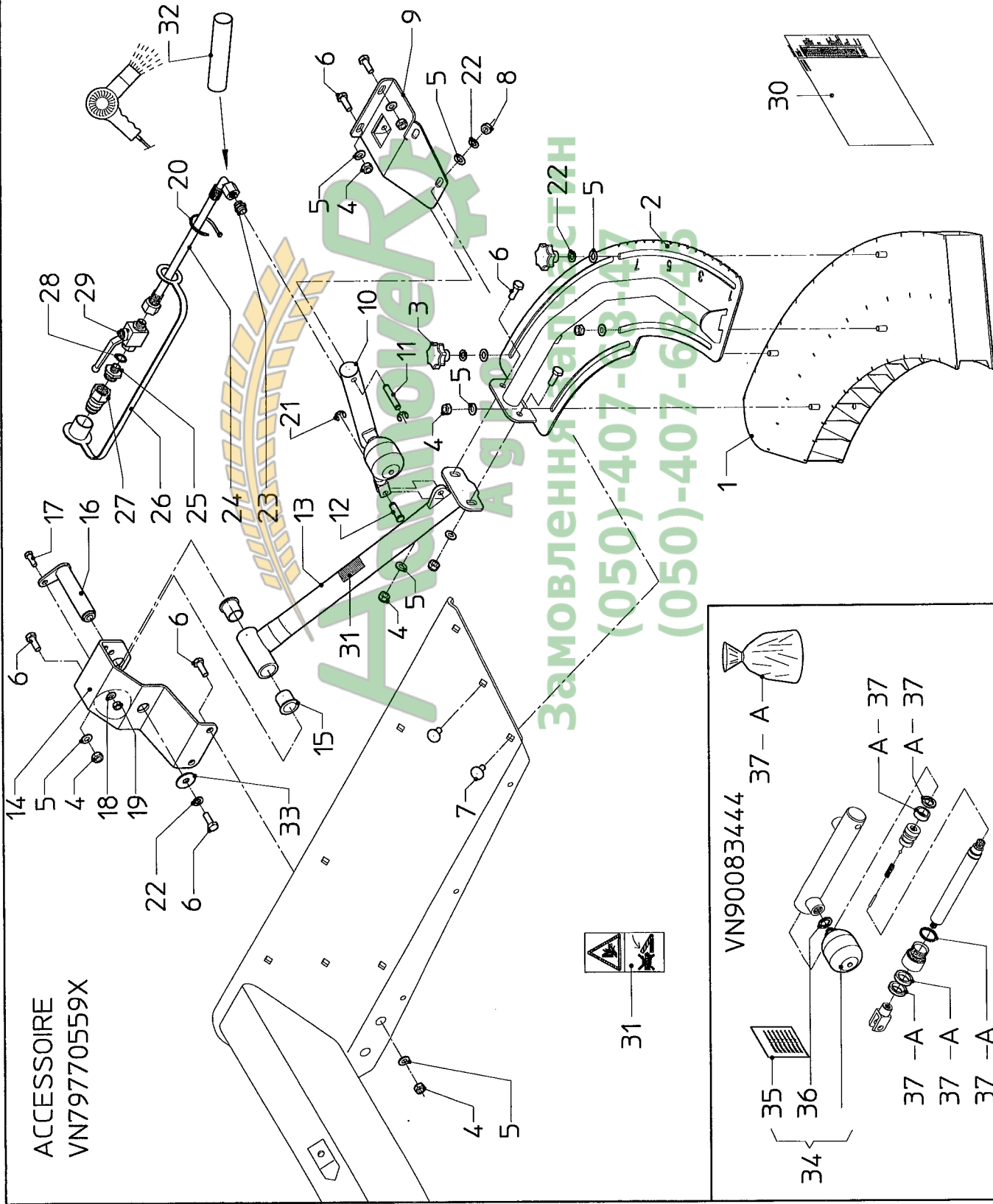
bestelnummer ordernummer num. o commander Bestellnummer	VN79770392X1	L=1600
1	VNB0738978	2
2	VNB0817978	1
3	VNB0818078	1
4	VN31419201	2
5	VN38854081	2
6	VN38854586	2
7	VNB0854293	4
8	VNB1504678	4
9	VN70009483	1
11	VN31419900	2
12	VN17895704	1
13	VN38820225	1
14	VNB3083893	1
15	VNB1306893	1

serial number 77326

1.1

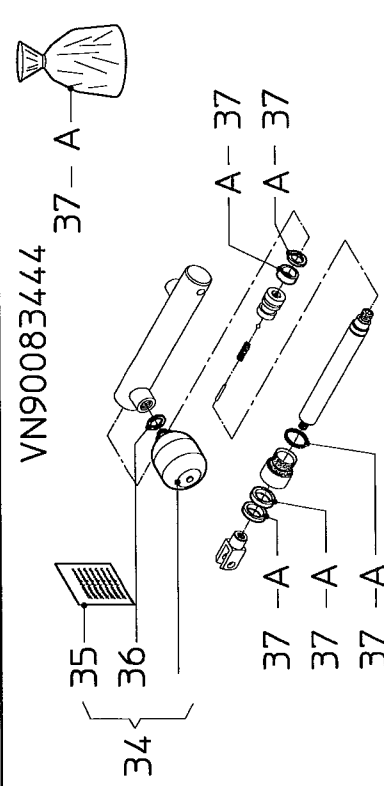
EXACTA HL

ACCESSOIRE
VN79770559X



bestellnummer
ordernummer
num. a commander
Bestellnummer

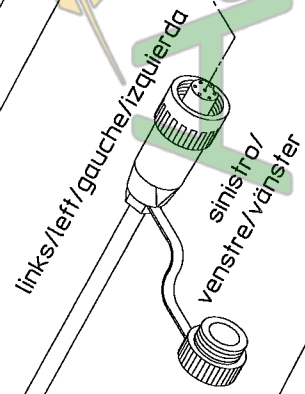
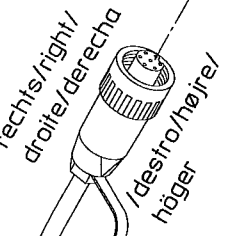
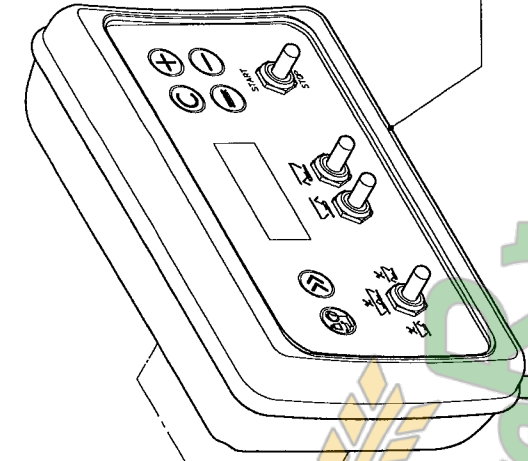
1	VN79770559X	1	M10/RVS/Nyloc
2	VNB3454502	1	10.5/RVS
3	VNB3453594	2	M10x25/RVS
4	VNB3327078	10	M10/RVS
5	KG01070000	14	10.5/RVS
6	KG01264000	9	M10x25/RVS
7	KG00498700	2	M10/RVS
8	KG00654400	1	L=58
9	KG01053800	1	L=35
10	VNB3453794	1	M8x25/RVS
11	VN90083444	1	8.4/RVS
12	VNB3507502	1	M8/RVS/Nyloc
13	VNB1843002	1	200x4.7
14	VNB3494694	1	9/RVS
15	VNB3829694	1	A10/RVS
16	VNB3085978	1	AL-8-R1/4"-Ohne
17	VNB3829793	1	1/4"-L=3000 mm
18	KG00497100	1	1/2"
19	KG01263900	1	G1/2"
20	KG01069900	1	A14x18x1.5
21	VN80504003	5	L=140 mm
22	VN30116090	3	A10.5/RVS
23	VN30117100	5	A17x21x1.5
24	VN38820161	1	Sealing kit
25	VNB3069178	1	
26	VNB1306893	1	
27	VN38854581	1	
28	VN38854081	1	
29	VN31419900	1	
30	VN90007711	1	
31	VN70009665	1	
32	VGTR2059	1	
33	VNB1504678	1	
34	KG01257800	1	
35	VN79750037	1	
36	VN70003641	1	
37	VN31419016	1	
37	VN79750027	1	



serial number 77326

I.2

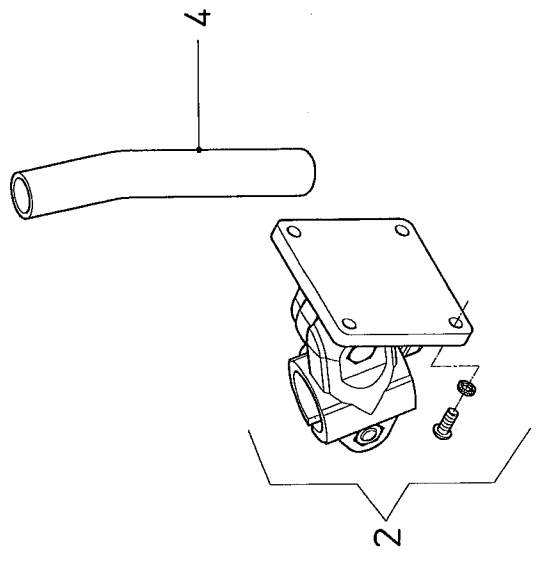
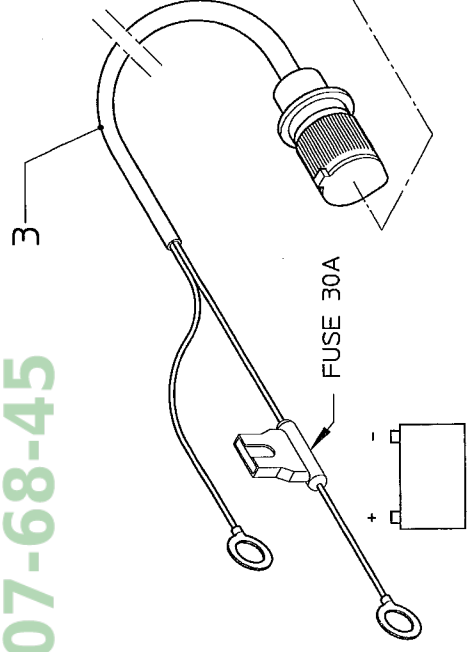
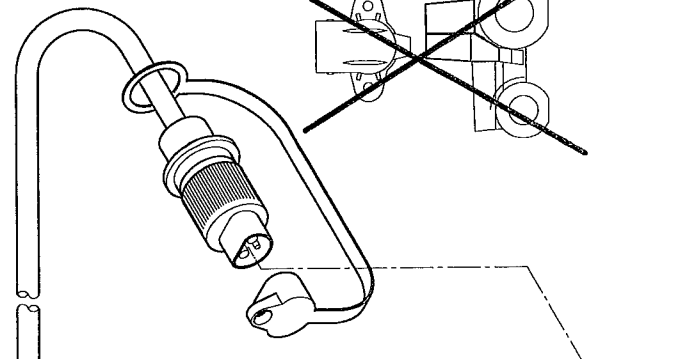
EXACTA HL



	bestelnummer	VN79730420X1
	ordernummer	VNB0563773
	num. o commander	VNB0548173
	Bestellnummer	VNB0374873
		VNB3872902
1		1
2		1
3		1
4		1
		4,5 m

Агро

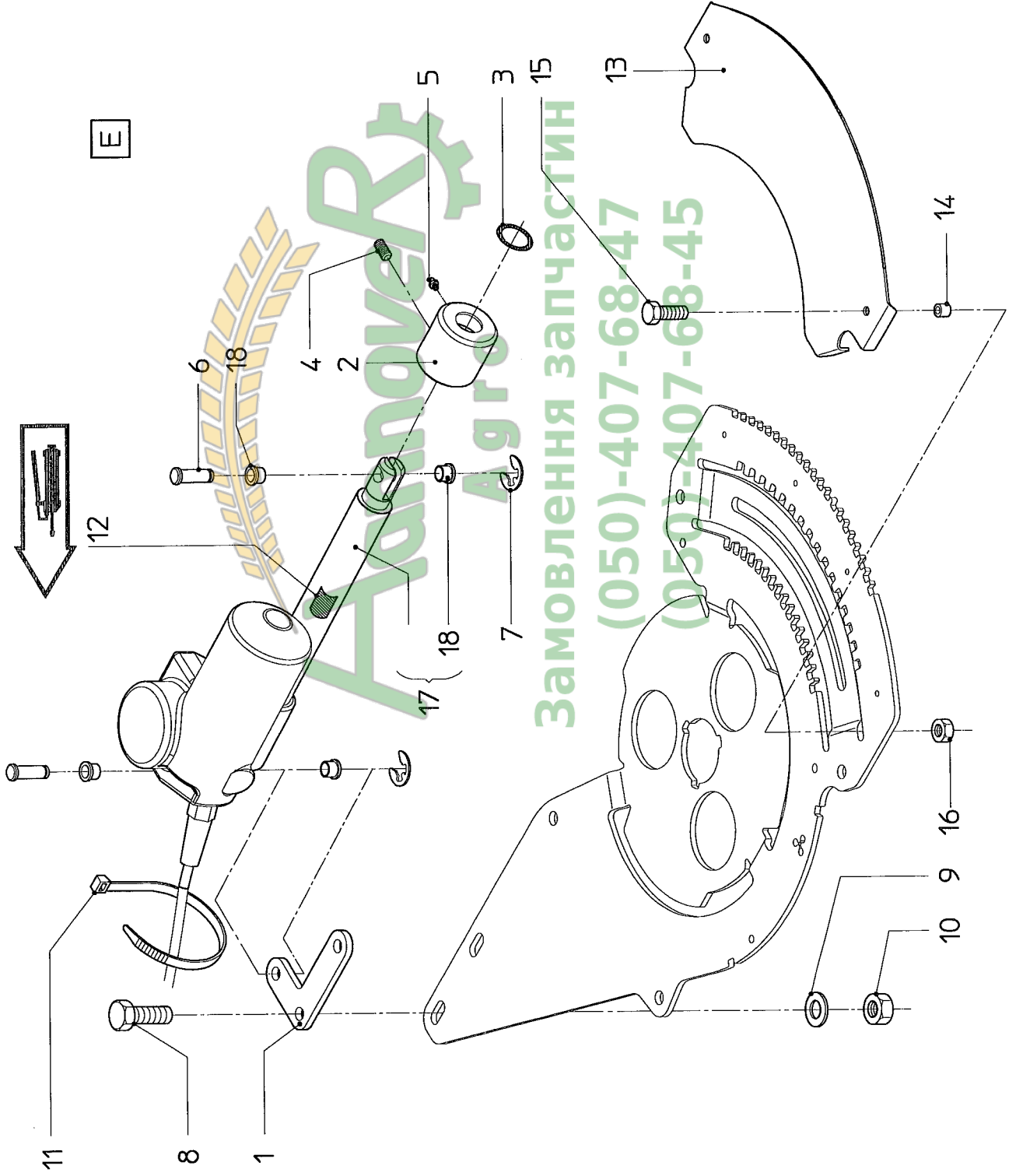
Замовлення запчастин
 (050)-407-68-47
 (050)-407-68-45



serial number 77326

I.3

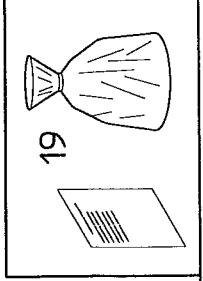
EXACTA HL



bestelnnummer
 ordernummer
 num. a commander
 Bestellnummer

1	VN79770541X	1
2	VNB3322594	2
3	VNB3317378	2
4	VNB36107317	2
5	KG00945900	2
6	VN30130800	2
7	VNB1843002	4
8	VN30116090	4
9	KG00498700	4
10	KG01257800	4
11	KG01070000	4
12	VN80504001	2
13	VN90090190	2
14	VNB3415894	2
15	VNB3428602	4
16	KG00495300	4
17	KG01069800	4
18	29,74x3.53 M8x10/RVS M8x1/RVS	
19	9/RVS M10X25/RVS A10.5/RVS M10/RVS/Nyloc 365x7.8	
20	M6x25/RVS M6/RVS/Nyloc	

VN79730365X1		
VNB0550373	2	
VNB2235978	8	
VNB0566173	1	repairkit actual.



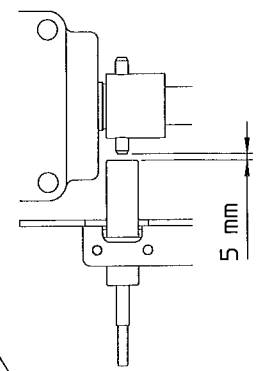
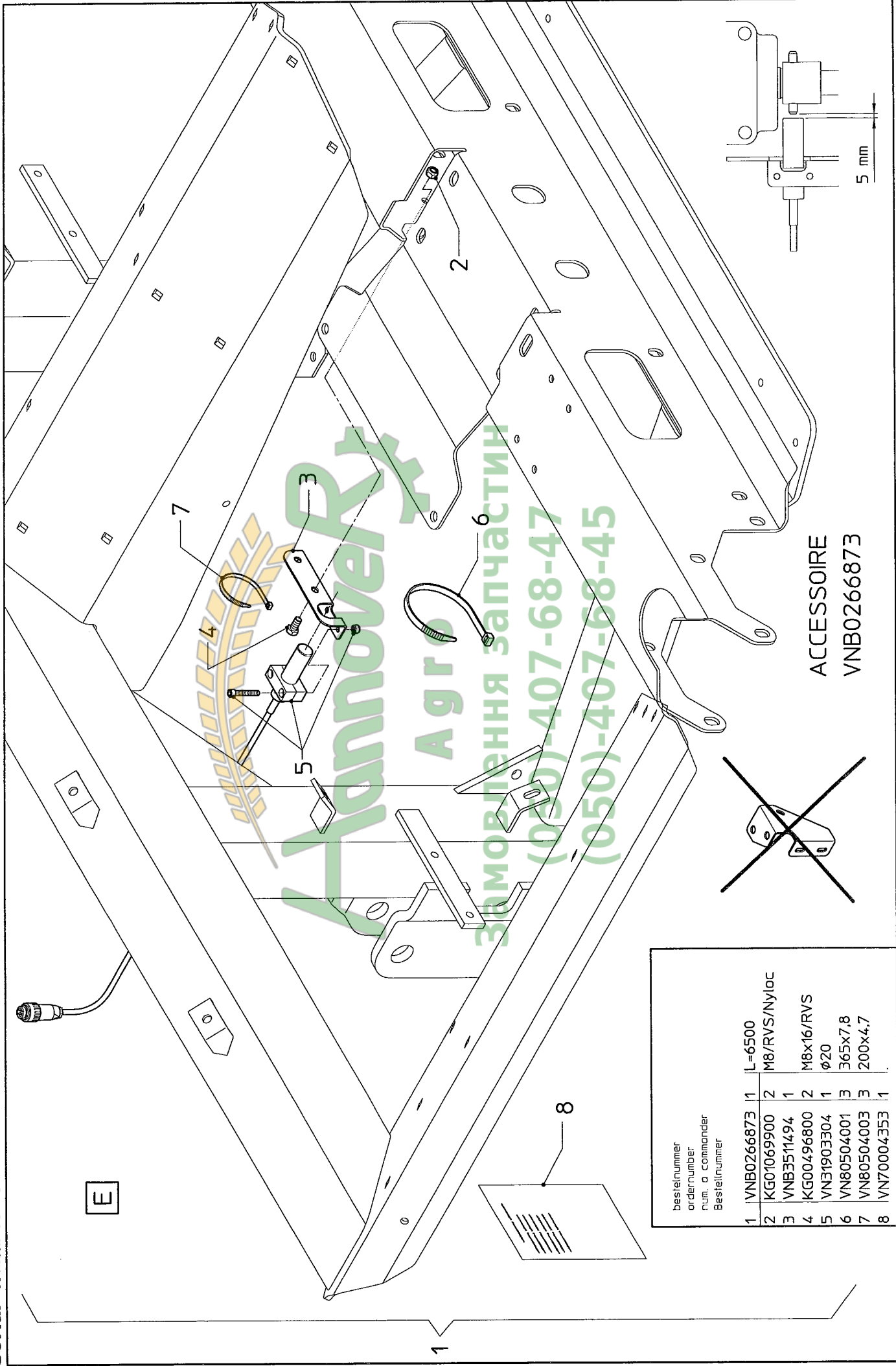
Аграр

Замовлення запчастин
 (050)-407-68-47
 (050)-407-68-45

serial number 77326

I.4

EXACTA HL



ACCESSOIRE
VNB0266873

bestelnnummer	ordernumber	num. a commander	Bestelnnummer
1	VNB0266873	1	L-6500
2	KG01069900	2	M8/RVS/Nylloc
3	VNB3511494	1	M8x16/RVS
4	KG00496800	2	ø20
5	VN31903304	1	365x7,8
6	VN80504001	3	200x4,7
7	VN80504003	3	
8	VN70004353	1	

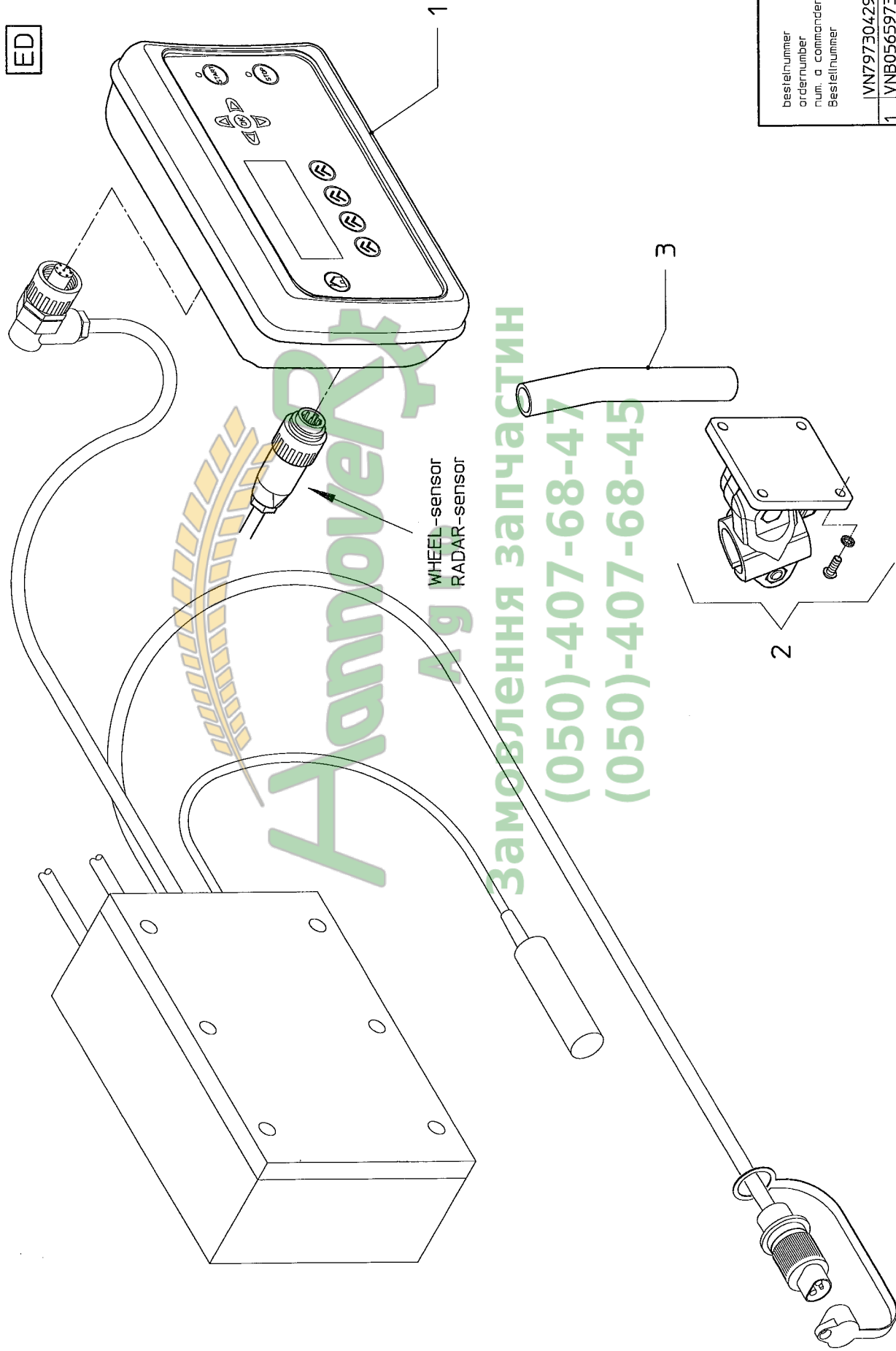
Агротехнічний завод
 (050)-407-68-47
 (050)-407-68-45

serial number 77326

I.5

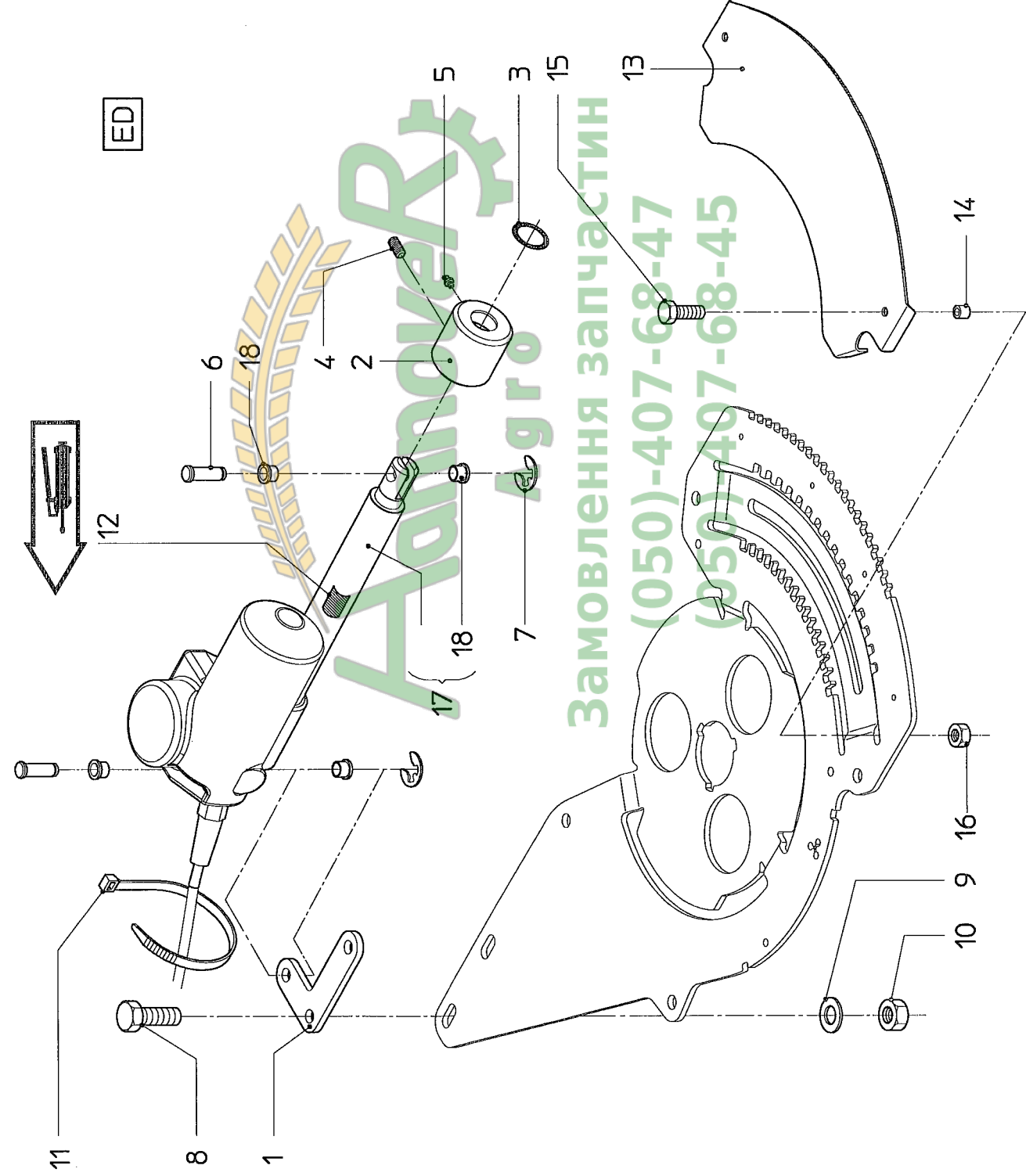
EXACTA HL

ED



Bestellnummer
ordernumber
num. a commander
Bestellnummer

	VN79730429X1	1
1	VNB0565973	1
2	VNB0548173	1
3	VNB3872902	1



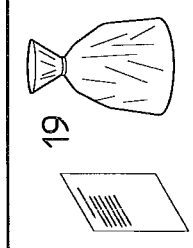
ED

bestelnummer
ordernumber
num. a commander
Bestellnummer

1	VN79770562X1	
2	VNB3322594	2
3	VNB3317378	2
4	VNB6107317	2
5	KG00945900	2
6	VN30130800	2
7	VNB1843002	4
8	VN30116090	4
9	KG00498700	4
10	KG01257800	4
11	KG01070000	4
12	VN80504001	2
13	VN90090190	2
14	VNB3415894	2
15	VNB3428602	4
16	KG00495300	4
17	KG01069800	4
18	29,74x3,53 M8x10/RVS M8x1/RVS	
19	9/RVS M10X25/RVS A10,5/RVS M10/RVS/Nylac 365x7,8	
	M6x25/RVS M6/RVS/Nylac	

17	VN79730428X1	2
18	VNB0554173	8
19	VNB0566173	1

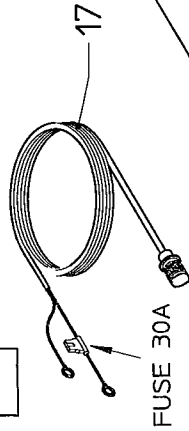
repairkit actual.



serial number 77326

1.7

EXACTA HL



FUSE 30A

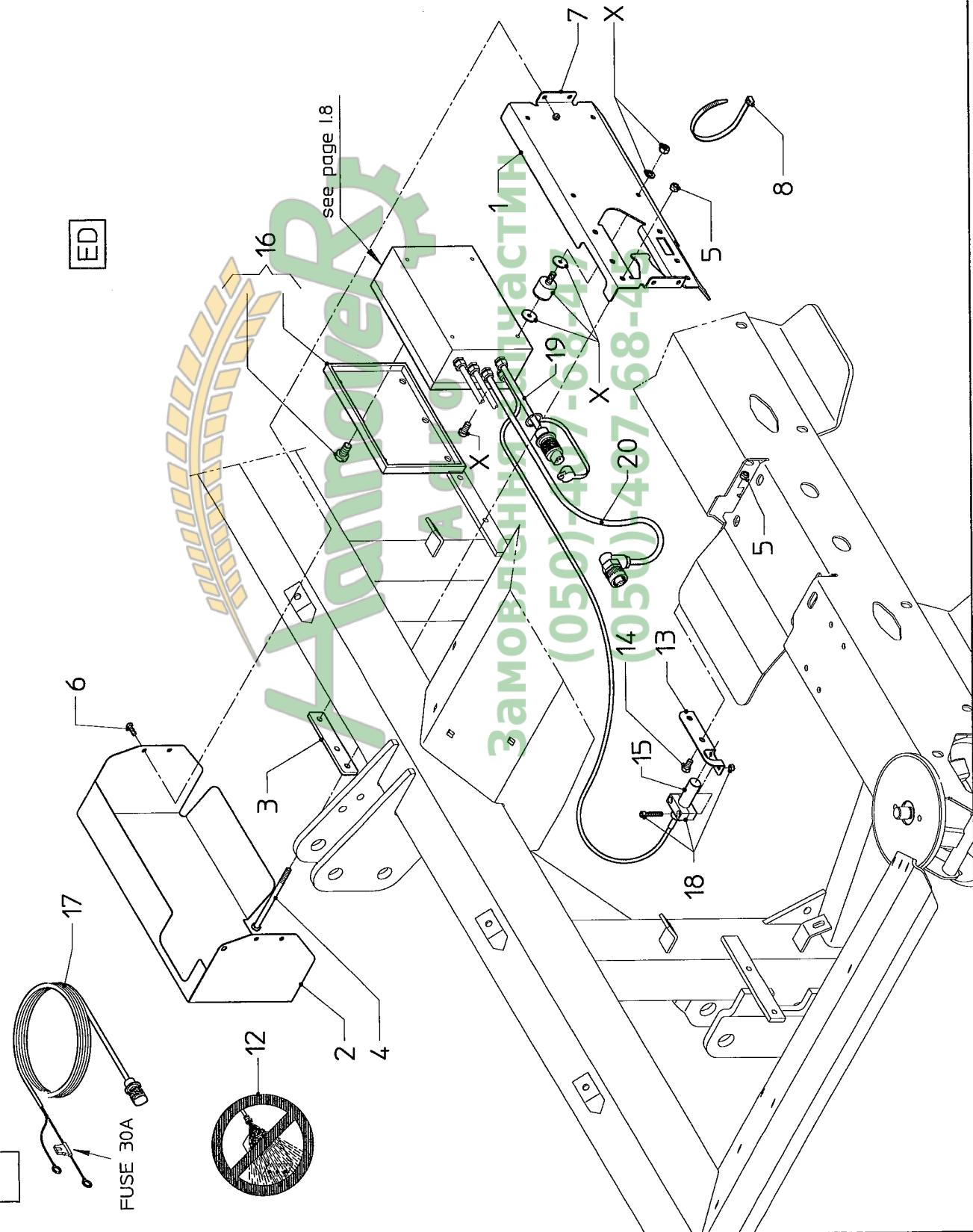


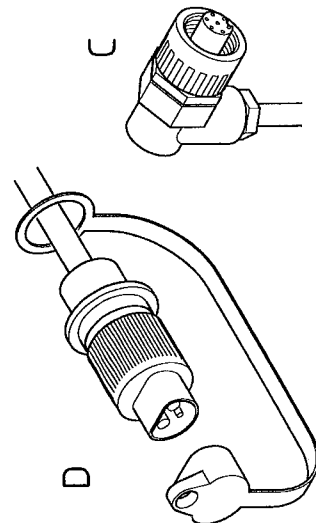
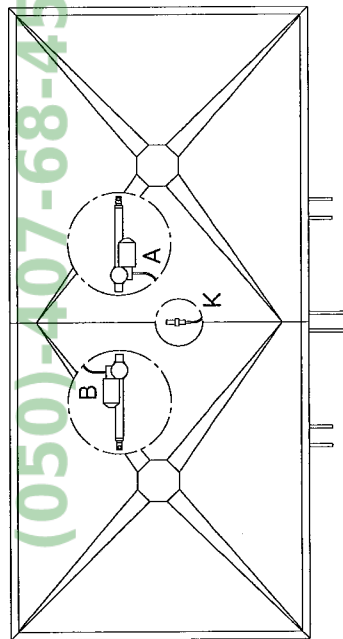
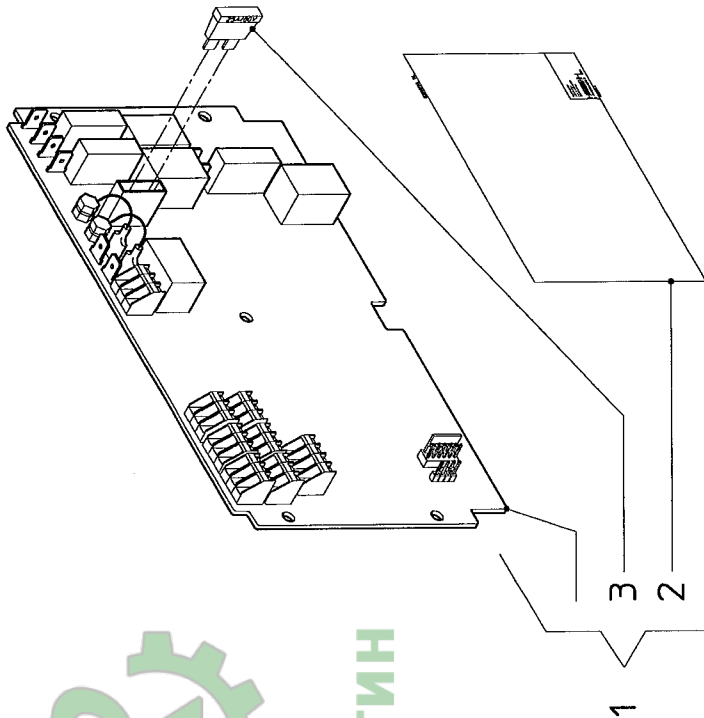
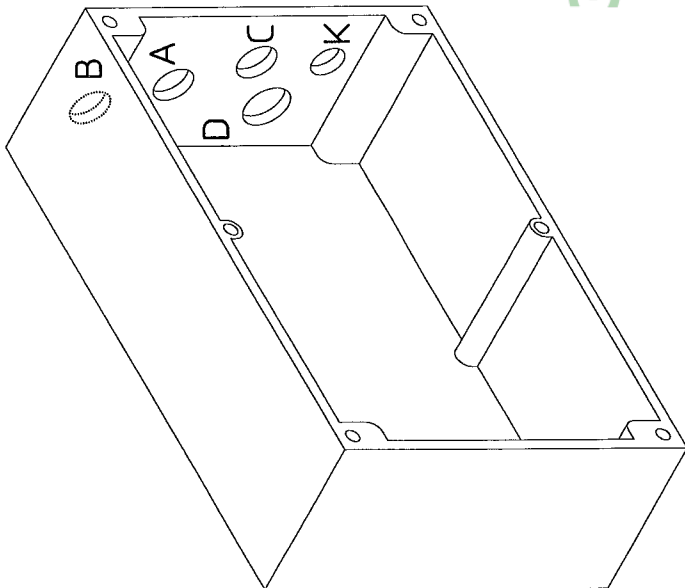
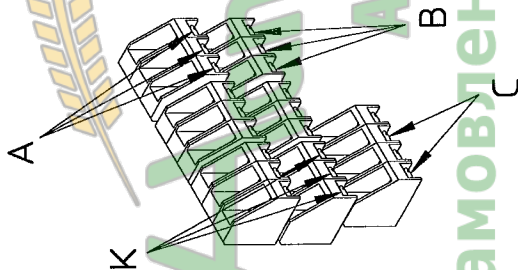
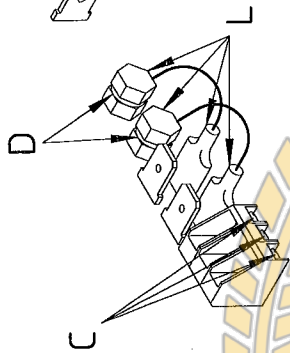
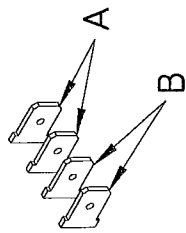
ED

1	VN79770562X1		
2	VNB3444694	1	
3	VNB3444898	1	
4	VNB3444794	2	
5	VN30120831	4	M8x130/RVS
6	KG01069900	6	M8/RVS/Nyloc
7	KG00494900	4	M6x12/RVS
8	KG01069800	4	M6/RVS/Nyloc
12	VN80504001	6	365x7,8
13	VNB2426674	1	
14	VNB3511494	1	
14	KG00496800	2	M8x16/RVS

see page 1.8

15	VN79730428X1		
16	VNB0446473	1	2 m
17	VNB0489473	1	
18	VNB0374873	1	4,5 m
19	VN31903304	1	ø20
20	VNB0268173	1	6 m
20	VNB0260173	1	6 m
X	VNB2559578	4	





bestelnummer
 ordernummer
 num. o commander
 Bestellnummer

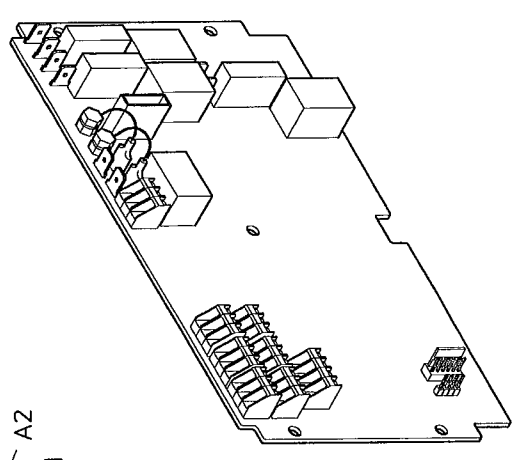
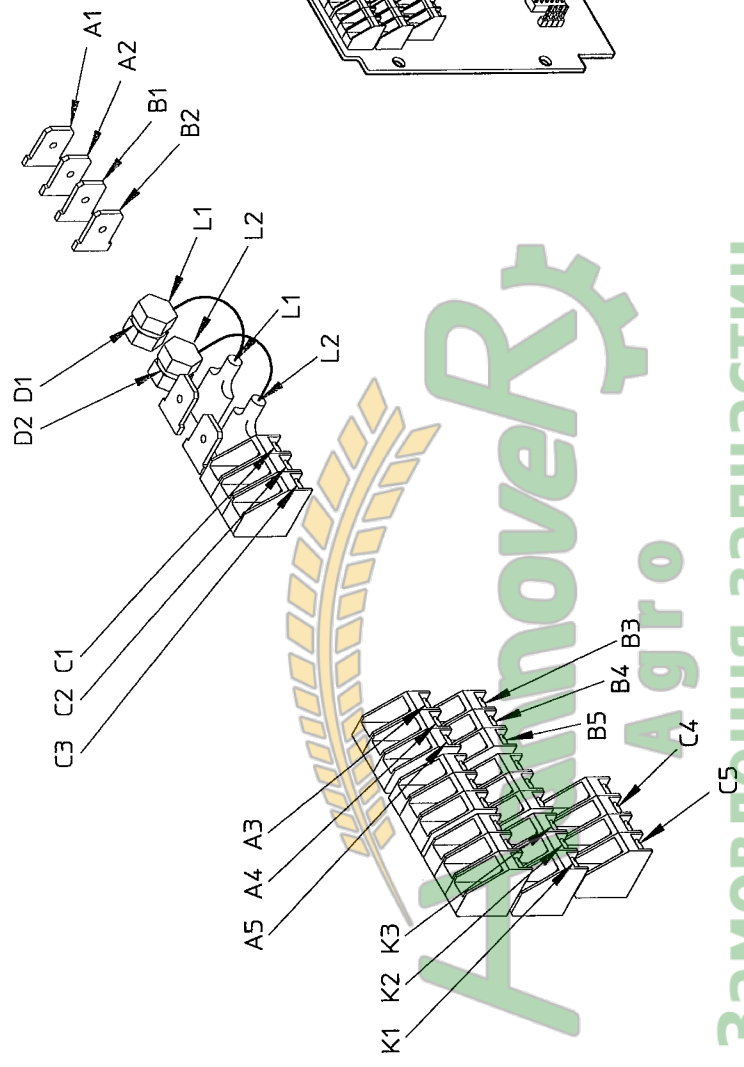
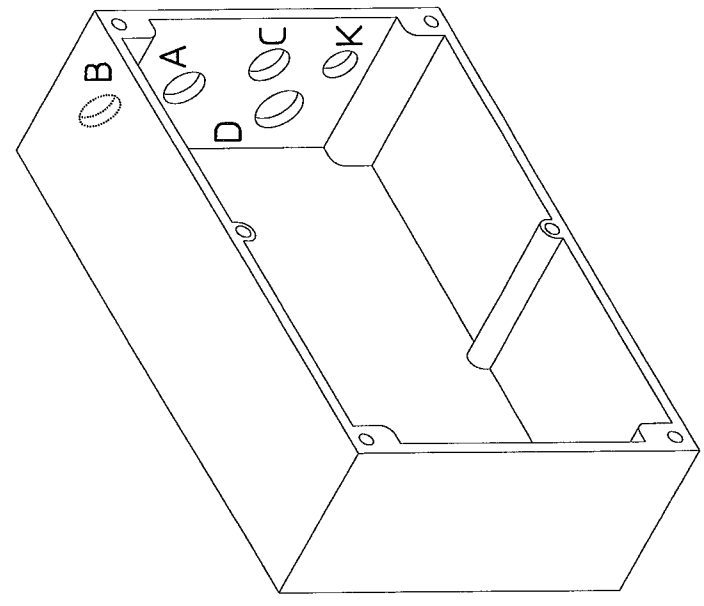
1	VN79730437	1
2	VN70009784	1
3	VNB0064273	1 25A

Агро
 Zamovleniya zapchastin
 (050)-407-68-47
 (050)-407-68-45

serial number 77326

I.9

EXACTA HL



KLEUR	COLOR	FARBE	COULEUR	COLOR	COLORE	FARVE	FÄRIG
geel+rood	yellow+red	gelb+rot	jaune+rouge	amarillo+rojo	giallo+rosso	gul+röd	gul+röd
wit(oranje)+groen	white(orange)+green	weiss(orange)+gruen	blanc(orange)+vert	blanco(naranja)+verde	bianco(arancia)+verde	hvid(orange)+grön	vif(orange)+grön
bruin	brown	braun	brun	maron	marrone	brun	brun
blauw	blue	blau	bleu	azul	azzurro	blå	blå
zwart	black	schwarz	noir	negro	nero	svart	svart
zwart	black	schwarz	noir	negro	nero	svart	svart
groen	green	gruen	vert	verde	verde	grön	grön
oranje	orange	orange	orange	naranja	arancia	orange	orange
geel	yellow	gelb	jaune	amarillo	giallo	gul	gul
blauw	blue	blau	bleu	azul	azzurro	blå	blå
bruin	brown	braun	brun	maron	marrone	brun	brun
blauw	blue	blau	bleu	azul	azzurro	blå	blå
blauw	blue	blau	bleu	azul	azzurro	blå	blå
zwart	black	schwarz	noir	negro	nero	svart	svart
bruin	brown	braun	brun	maron	marrone	brun	brun
rood	red	rot	rouge	rojo	rosso	röd	röd
zwart	black	schwarz	noir	negro	nero	svart	svart
						70.009.736-29	

Агто
 (050)-407-68-47
 (050)-407-68-45
 Zamovlennya zapchastin

serial number 77326

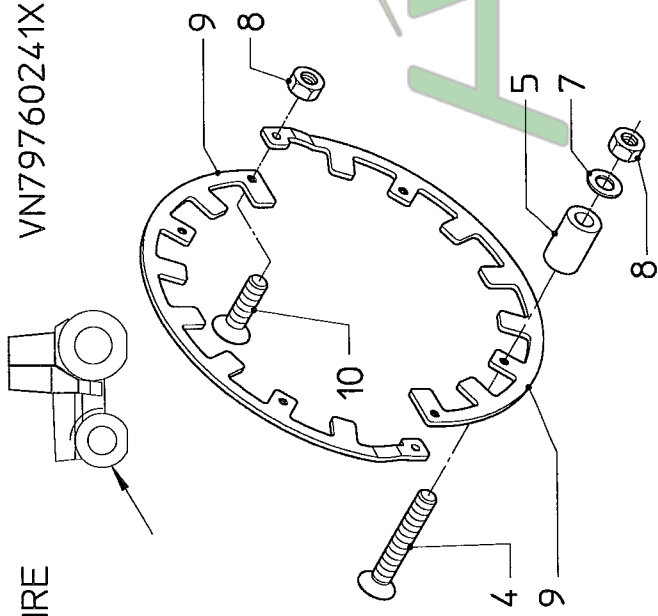
I.10

EXACTA HL

VN79760241X-φ420

ACCESSOIRE

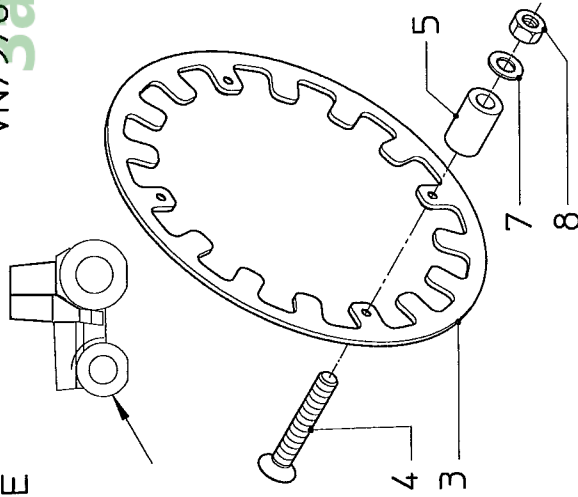
ED



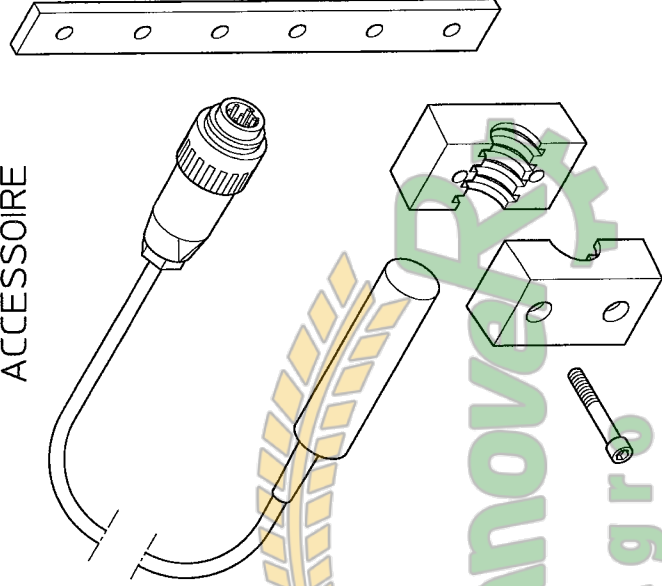
VN79760240X-φ350

ACCESSOIRE

ED



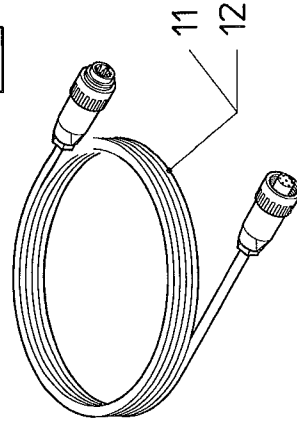
ACCESSOIRE



ED

ACCESSOIRE
EXTENSION CABLE

ED



bestelnummer
order number
num. o commander
Bestelnummer

VN79760240X1			
3	VNB1517586	1	φ350
4	KG00872200	4	M8x50/RVS
5	VNB1153493	4	8.4/RVS
7	KG01263900	4	M8/RVS/Nylac
8	KG01069900	4	

VN79760241X			
4	KG00872200	4	M8x50/RVS
5	VNB1153493	4	8.4/RVS
7	KG01263900	4	M8/RVS/Nylac
8	KG01069900	6	φ420
9	VNB2928086	2	
10	KG00871700	2	M8x25/RVS

11	VNB0304073	1	6 mtr
12	VNB0326573	1	2.5 mtr

15	VNB0430273	1	l.
----	------------	---	----

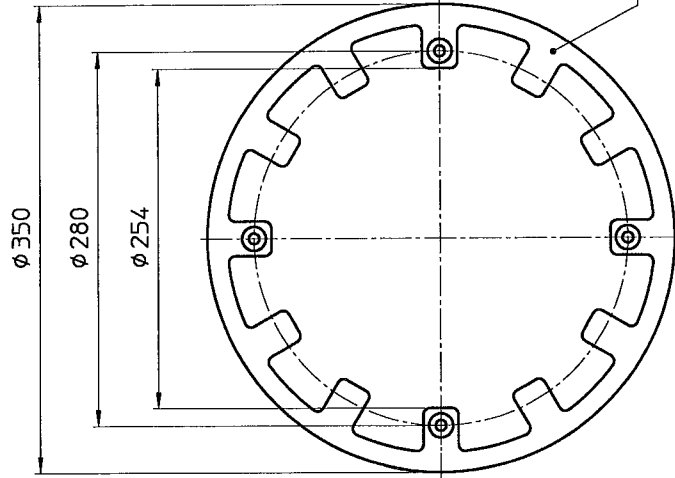
Аgro
Hannover
ЗАМОВЛЕННЯ ЗАПЧАСТИН
15
(050)-407-68-47
(050)-407-68-45
WHEEL SENSOR

serial number 77326

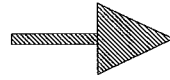
I.11

EXACTA HL

ED

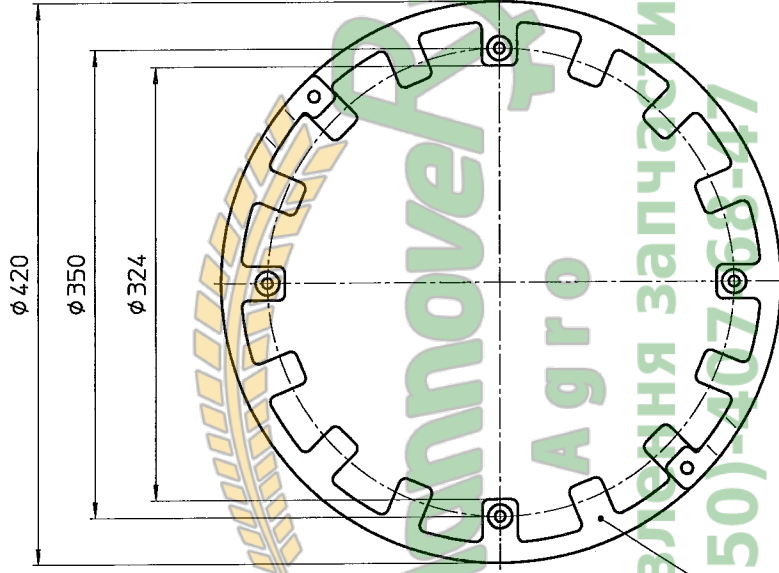


VNB1517586

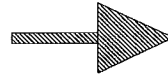


X = 4,5 mm

Y = 9 mm

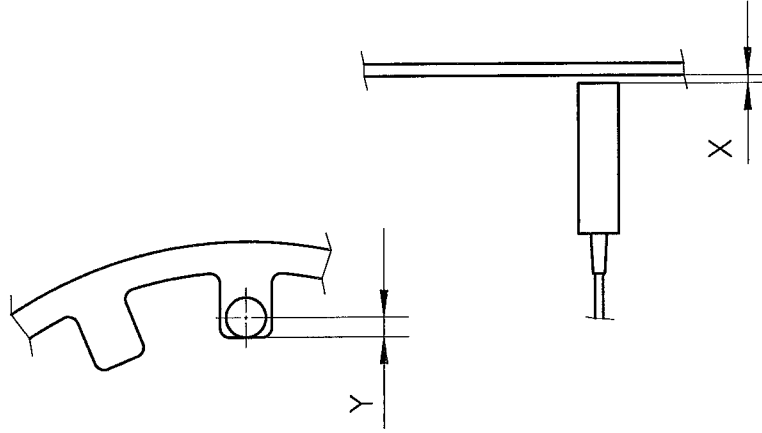


VNB2928086 (2x)



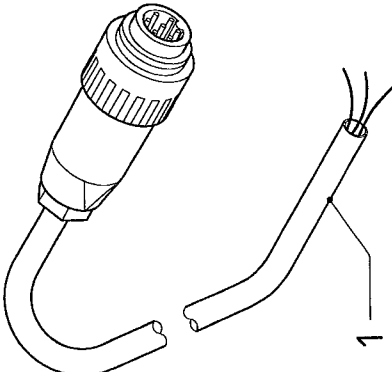
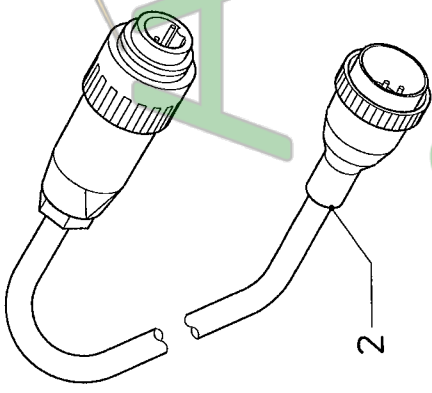
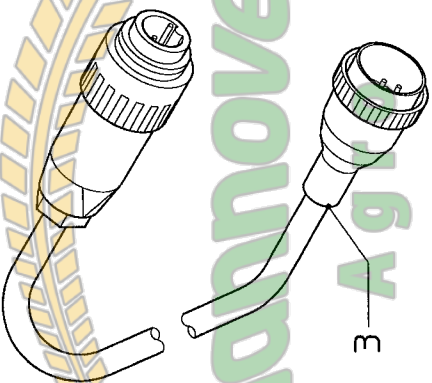
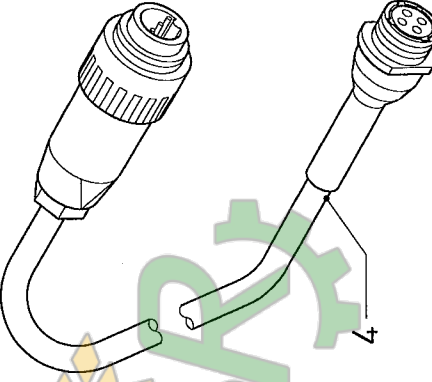
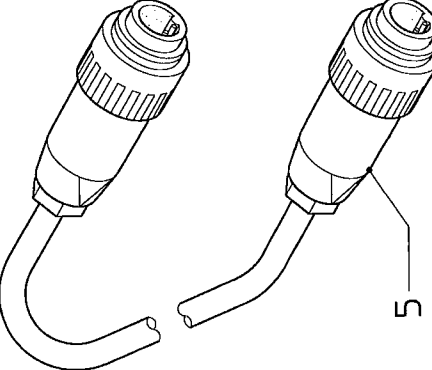
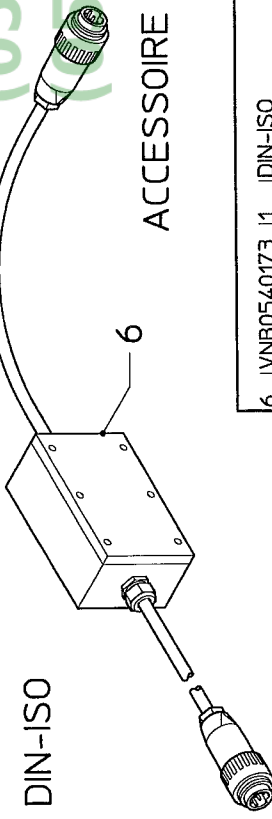
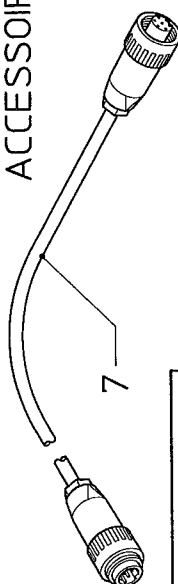
X = 3,5 mm

Y = 10,5 mm



1	VNB1517586	1	∅350
2	VNB2928086	2	∅420

CABLE FOR RADAR SENSOR TRACTOR

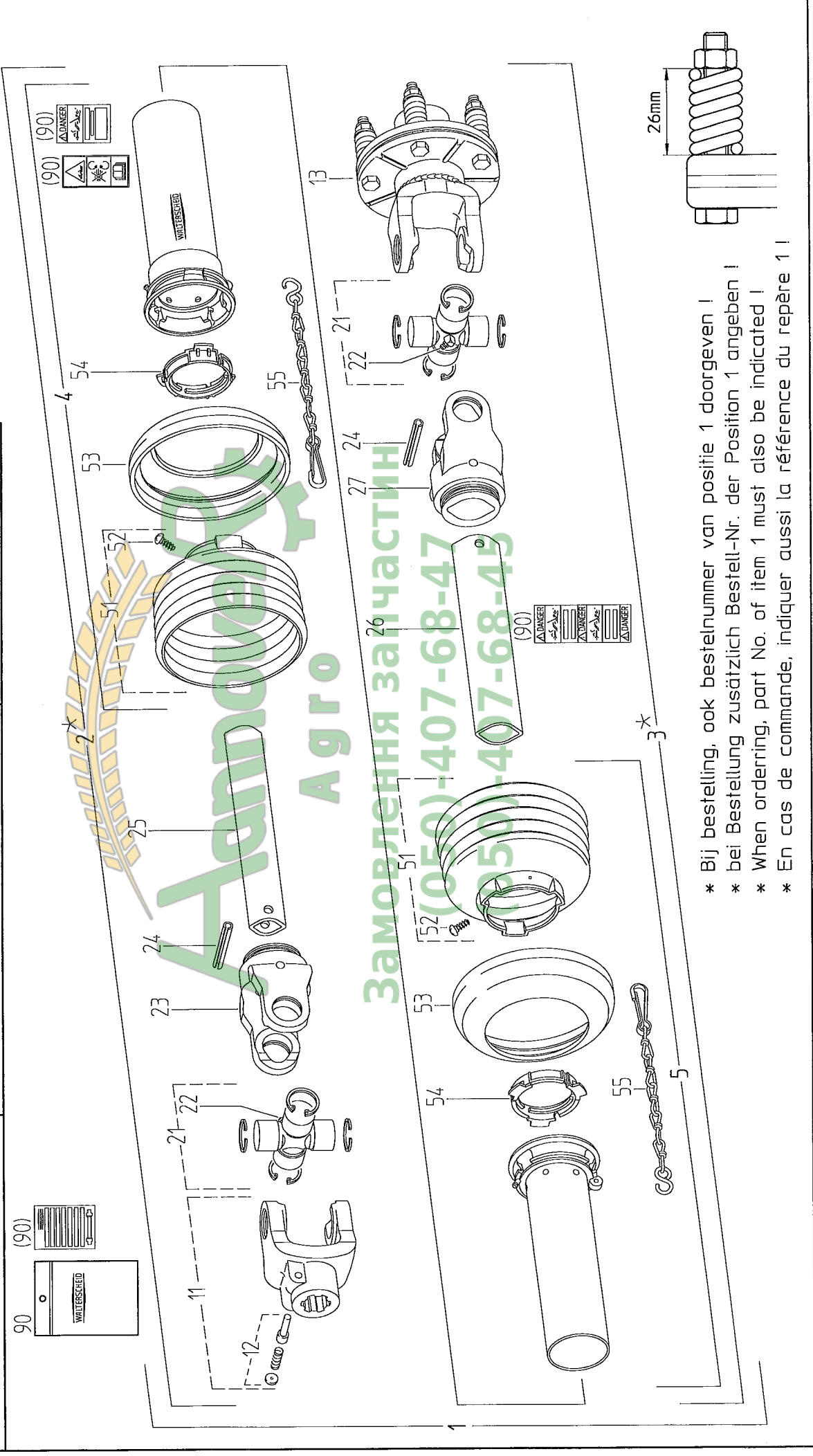
<p>SELF-MADE</p> <p>ACCESSOIRE</p>  <p>1</p>	<p>DATATRONIC-1</p> <p>ACCESSOIRE</p>  <p>2</p>	<p>DATATRONIC-2</p> <p>ACCESSOIRE</p>  <p>3</p>	<p>DICKEY JOHN</p> <p>ACCESSOIRE</p>  <p>4</p>	<p>DIN-ISO</p> <p>ACCESSOIRE</p>  <p>5</p>
<p>1 VNB0303973 1 Self-made 2 VNB0305873 1 Datatronic-1(MF) 3 VNB0385273 1 Datatronic-2(MF) 4 VNB0305973 1 Dickey John 5 VNB0386773 1 DIN-ISO</p>				
<p>DIN-ISO</p>  <p>6</p> <p>ACCESSOIRE</p>	<p>6 VNB0540173 1 DIN-ISO</p>			
<p>DIN-ISO</p>  <p>7</p> <p>ACCESSOIRE</p>	<p>7 VNB0391073 1 DIN-ISO/1,5m</p>			

serial number 77325-77326

C2

EXACTA HL

Walterscheid	11 VG10.10.00	AG2100-1 3/8"(6)	24 VG61.04.01	IS08752-8x50	53 VG83.10.03
VN46120086	12 VGagraset 101	K94/1-2100-1 3/8"(6)ZV-M=400Nm	25 VG75.02.15	00c-800	54 VG83.09.01
2 *	13 VG56.117.19	BMBx1	26 VG75.12.15	0a-800	55 VG82.36.03
3 *	21 VG10.01.00	RG2100-00a	27 VG10.49.00	n=RP6	90 VGagraset 207
4 VG85.005	22 VG63.27.00		51 VG85.05.06	4x10	
5 VG85.004	23 VG10.48.00		52 VG60.15.00		



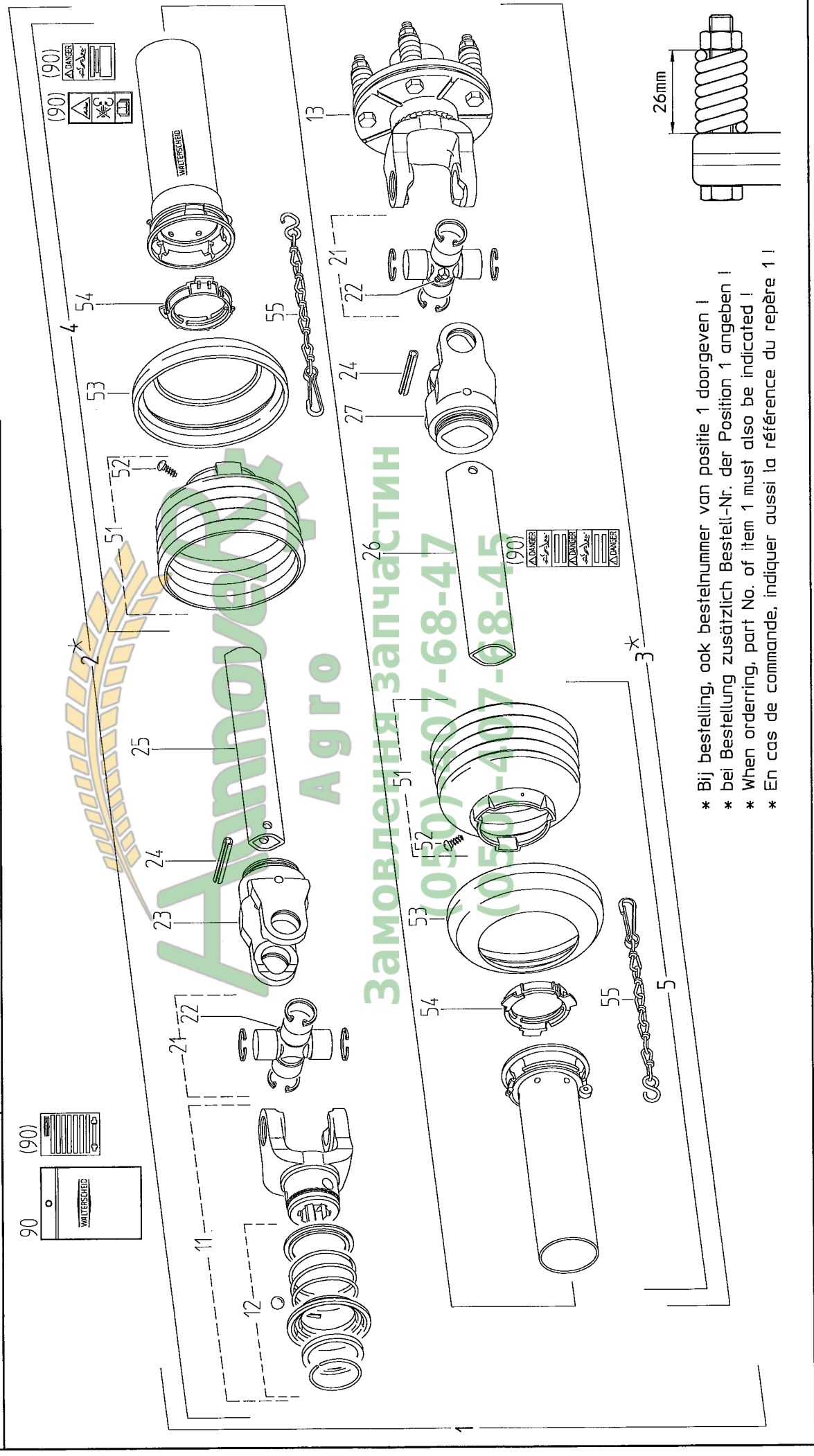
- * Bij bestelling, ook bestelnummer van positie 1 doorgeven !
- * bei Bestellung zusätzlich Bestell-Nr. der Position 1 angeben !
- * When ordering, part No. of item 1 must also be indicated !
- * En cas de commande, indiquer aussi la référence du repère 1 !

serial number 77326

C3

EXACTA HL

Walterscheid	11 VG10.83.40	AZG2100-1 3/8"(6)	24 VG61.04.01	IS08752-8x50	53 VG83.10.03
1 VN46120092	12 VGagraset 173	K94/1-2100-1 3/8"(6)ZV-M=400Nm	25 VG75.02.15	00C-800	54 VG83.09.01
2 *	13 VG56.117.19	BM8x1	26 VG75.12.15	0a-800	55 VG82.36.03
3 *	21 VG10.01.00	RG2100-00a	27 VG10.49.00	n=RP6	90 VGagraset 207
4 VG85.005	22 VG63.27.00		51 VG85.05.06	4x10	
5 VG85.004	23 VG10.48.00		52 VG60.15.00		



- * Bij bestelling, ook bestelnummer van positie 1 doorgeven !
- * bei Bestellung zusätzlich Bestell-Nr. der Position 1 angeben !
- * When ordering, part No. of item 1 must also be indicated !
- * En cas de commande, indiquer aussi la référence du repère 1 !

NUMERICAL INDEX / NUMMERN-VERZEICHNIS / INDEX NUMERIQUE / NUMERIEKE INDEX / INDICE DE NUMEROS

1 EXACTA-HL		Page: 01		Page: 02		Page: 03		Page: 04		Page: 05		Page: 06		Page: 07	
Part no.	Teile-nr.	Selle	Teile-nr.	Selle	Teile-nr.	Selle	Teile-nr.	Selle	Teile-nr.	Selle	Teile-nr.	Selle	Teile-nr.	Selle	Teile-nr.
No. de ref.	Onderd. nr.	Page	No. de ref.	Page	No. de ref.	Page	No. de ref.	Page	No. de ref.	Page	No. de ref.	Page	No. de ref.	Page	No. de ref.
Norm. de pza	Norm. de pza	Pagina	Norm. de pza	Pagina	Norm. de pza	Pagina	Norm. de pza	Pagina	Norm. de pza	Pagina	Norm. de pza	Pagina	Norm. de pza	Pagina	Norm. de pza
AC748748	KG00652700	H10	KG01059700	H11	KG01257800	H05	VG61.04.01	C02	VG61.04.01	C02	VN30116090	I.01	VN48520010	H07	VN48520010
KG00399400	KG00652700	H12	KG01059700	H12	KG01257800	H06	VG61.04.01	C03	VG61.04.01	C03	VN30116090	I.03	VN48523002	H07	VN48523002
KG00399800	H03	H10	KG01059700	H10	KG01257800	H07	VG63.27.00	C02	VG63.27.00	C02	VN30116090	I.06	VN48523121	H07	VN48523121
KG00494900	H02	H11	KG01069600	H11	KG01257800	H09	VG63.27.00	C03	VG63.27.00	C03	VN30117100	H01	VN70003641	I.01	VN70003641
KG00494900	I.07	H12	KG01069700	H05	KG01257800	H12	VG75.02.15	C02	VG75.02.15	C02	VN30117100	H05	VN70004353	I.04	VN70004353
KG00495200	H02	H09	KG01069700	H07	KG01257800	I.01	VG75.02.15	C03	VG75.02.15	C03	VN30117100	H07	VN70009207	H15	VN70009207
KG00495300	H05	H07	KG01069700	H09	KG01257800	I.03	VG75.12.15	C02	VG75.12.15	C02	VN30117100	I.01	VN70009483	H16	VN70009483
KG00495300	I.03	H13	KG01069800	H02	KG01257800	I.06	VG75.12.15	C03	VG75.12.15	C03	VN30117200	H01	VN70009651	H08	VN70009651
KG00495300	I.06	H06	KG01069800	H05	KG01263600	H11	VG82.36.03	C02	VG82.36.03	C02	VN30117600	H05	VN70009659	H13	VN70009659
KG00496800	I.04	H01	KG01069800	I.03	KG01263700	H05	VG82.36.03	C03	VG82.36.03	C03	VN30120831	I.07	VN70009661	H11	VN70009661
KG00496800	I.07	H06	KG01069800	I.06	KG01263800	H07	VG83.09.01	C02	VG83.09.01	C02	VN30130800	H04	VN70009661	H12	VN70009661
KG00496900	H08	H11	KG01069800	I.07	KG01263800	H11	VG83.09.01	C03	VG83.09.01	C03	VN30130800	I.03	VN70009665	I.01	VN70009665
KG00496900	H10	H05	KG01069900	H02	KG01263900	H03	VG83.10.03	C02	VG83.10.03	C02	VN30130800	I.06	VN70009711	H14	VN70009711
KG00496900	H11	H09	KG01069900	H03	KG01263900	H08	VG83.10.03	C03	VG83.10.03	C03	VN30163250	H01	VN70009712	H09	VN70009712
KG00496900	H13	H07	KG00713700	H04	KG01263900	H09	VG85.004	C02	VG85.004	C02	VN30598012	H15	VN70009760	H10	VN70009760
KG00497100	H02	H02	KG00714100	H09	KG01263900	H10	VG85.004	C03	VG85.004	C03	VN31419016	I.01	VN70009784	I.08	VN70009784
KG00497100	H11	H02	KG00739400	H02	KG01263900	H11	VG85.005	C02	VG85.005	C02	VN31419201	H06	VN79730365	I.03	VN79730365
KG00497100	H12	H08	KG00739400	H08	KG01263900	H12	VG85.005	C03	VG85.005	C03	VN31419201	H16	VN79730420	I.02	VN79730420
KG00497100	I.01	H09	KG00739500	H09	KG01263900	I.01	VG85.05.06	C02	VG85.05.06	C02	VN31419900	H16	VN79730428	I.06	VN79730428
KG00497200	H03	H05	KG00747600	H05	KG01263900	I.10	VG85.05.06	C03	VG85.05.06	C03	VN31419900	I.01	VN79730428	I.07	VN79730428
KG00498500	H15	H07	KG00747600	H07	KG01264000	H07	VGAGRASET 101	C02	VGAGRASET 101	C02	VN31903304	I.04	VN79730439	I.05	VN79730439
KG00498600	H07	H05	KG00870000	H05	KG01264000	H10	VGAGRASET 173	C03	VGAGRASET 173	C03	VN31903304	I.07	VN79730439	I.08	VN79730439
KG00498700	H06	H06	KG00871700	H10	KG01264100	H03	VGAGRASET 207	C02	VGAGRASET 207	C02	VN36107317	I.03	VN79750027	I.01	VN79750027
KG00498700	H07	H07	KG00872200	H10	KG01264100	H15	VGAGRASET 207	C03	VGAGRASET 207	C03	VN36107317	I.06	VN79750037	I.01	VN79750037
KG00498700	I.01	H03	KG00945900	I.03	KG01283300	H04	VGTR1010	C16	VGTR1010	C16	VN36112032	H04	VN79760240	I.10	VN79760240
KG00498700	I.03	H06	KG00945900	I.06	RG00050664	H03	VGTR2005	C16	VGTR2005	C16	VN36101016	H07	VN79760241	I.10	VN79760241
KG00498700	I.06	H05	KG01044900	H05	VG10.01.00	C02	VGTR2011	C16	VGTR2011	C16	VN38820161	I.01	VN79770216	H04	VN79770216
KG00498800	H04	H05	KG01053800	H05	VG10.01.00	C03	VGTR2015	C16	VGTR2015	C16	VN38820194	H15	VN79770220	H15	VN79770220
KG00498800	H10	H05	KG01053800	H05	VG10.10.00	C02	VGTR2023	C16	VGTR2023	C16	VN38820225	H15	VN79770392	H16	VN79770392
KG00499500	H05	H06	KG01053800	H06	VG10.48.00	C02	VGTR2023	H14	VGTR2023	H14	VN38820225	H16	VN79770528	H14	VN79770528
KG00500900	H01	H07	KG01053800	H07	VG10.48.00	C03	VGTR2039	C16	VGTR2039	C16	VN38854081	H06	VN79770541	I.03	VN79770541
KG00501000	H01	H01	KG01053800	I.01	VG10.49.00	C02	VGTR2059	C16	VGTR2059	C16	VN38854081	H16	VN79770549	H08	VN79770549
KG00501000	H03	H03	KG01192162	H03	VG10.49.00	C03	VGTR2059	I.01	VGTR2059	I.01	VN38854081	I.01	VN79770557	H11	VN79770557
KG00501000	H01	H02	KG01059600	H02	VG10.83.40	C03	VN17895703	H15	VN17895703	H15	VN38854581	H06	VN79770557	H12	VN79770557
KG00501200	H15	H11	KG01059600	H11	VG56.117.19	C02	VN17895704	H15	VN17895704	H15	VN38854581	I.01	VN79770558	H13	VN79770558
KG00565700	H04	H08	KG01059700	H02	VG56.117.19	C03	VN17895704	H16	VN17895704	H16	VN38854586	H16	VN79770559	I.01	VN79770559
KG00651200	H11	H09	KG01059700	H09	VG60.15.00	C02	VN30109004	H05	VN30109004	H05	VN46120086	C02	VN79770562	I.06	VN79770562
KG00652700	H08	H10	KG01059700	H11	VG60.15.00	C03	VN30116090	H06	VN30116090	H06	VN46120092	C03	VN79770562	I.07	VN79770562

ACCORD

EXACTA HL

1001 ≥Mach ID



Kverneland Group Nieuw-Vennep B.V.
Hoofdweg 1278
NL-2153 LR Nieuw-Vennep
The Netherlands

Замовлення запчастин

(050)-407-68-47

(050)-407-68-45

© Kverneland group

All rights reserved. No part of this book may be reproduced, stored in a database or retrieval system, or published in any form or in any way, electronically, mechanically, optically, by print, photo print, microfilm (including micro and macro fiche), or any other means, including all video and CD systems, without prior written permission from the publisher.

