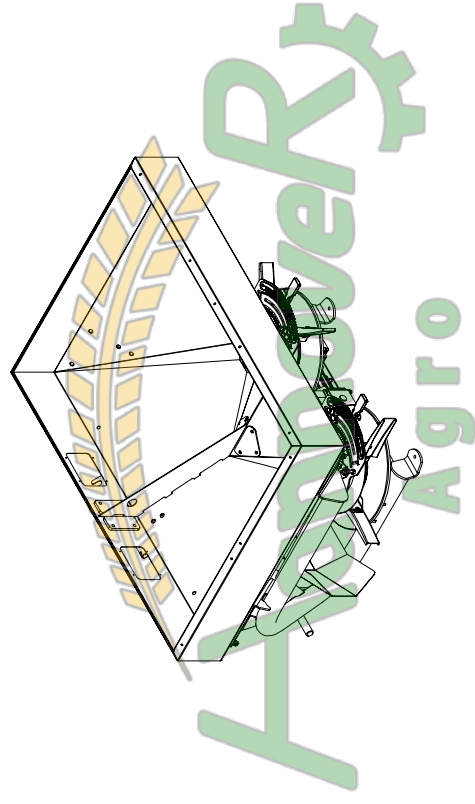


ACCORD



EXASTA EL Замовлення за частин (050)-407-68-47 (050)-407-68-45

Spare parts manual

Article number: 70009698/1

Production year: 2005
Effective: 1001 ≥Mach ID
Prod. Series nr: 77126-1



Замовлення запчастин

(050)-407-68-47

(050)-407-68-45

AANHAALMOMENTEN/TORQUES/ANZUGSMOMENTE/COUPLES DE SERRAGE/PARES DE APRIETE/I MOMENTI TORCENTI/ATDRAGNINGSMOMENTER/MOMENTER/ TILTREKKINGSMOMENTER

- NL** Richtlijnen voor aanhaalmomenten (in Nm) voor zelfborgende moeren, zeskantbouten en moeren. **GB** Directives for torques (in Nm) for self-locking nuts, hexagonal bolts and nuts.
D Richtlinien für Anzugsmomente (in Nm) für selbstsichernde Muttern, Sechskantschrauben und Muttern. **F** Directives relatives aux couples de serrage (en Nm) pour les écrous à auto-bloccage, les boulons à six et les écrous.
ES Directrices para los pares de apriete (en Nm) para tuercas autobloccantes, tornillos hexagonales y tuercas. **I** Linee guida riguardanti i momenti torcenti (espressi in Nm) per dadi autobloccanti, bulloni esagonali e dadi.
S Riktlinjer för åtdragningsmoment (i Nm) för självåsande bultar, sexkantbultar och muttrar. **DK** Retningslinjer for momenter (i Nm) for selvåsende møtrikker, hexagon bolte og møtrikker.
N Retningslinjer for tiltrækningsmomenter (i Nm) for selvåsende møtr. sekskantskruer og mutre.

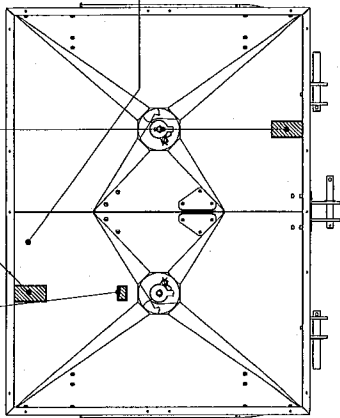
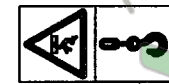
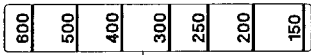
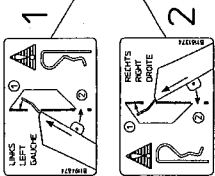
KWALITEIT/QUALITY/QUALITAT QUALITÉ/CALIDAD/QUALITA/KVALITET Wrijving/Friction/Reibung/Frottement/ Fricción/Frizione/Friktion/Friksjon *	4.6		8.8		10.9		12.9	
	0,10	0,13	0,10	0,13	0,10	0,13	0,10	0,13
Schroefdraad/Thread/Gewinde/Filetage Rosca/Filettatura/Gånga/Størrelse/ Gjenger								
M5	1,7	2	5	6	7	9	8	10
M6	3	4	9	10	13	15	15	18
M8	8	9	21	25	31	36	36	42
M10	16	19	40	50	60	70	70	85
M12	27	32	70	85	105	120	120	145
M14	42	50	115	135	165	195	195	230
M16	65	76	175	210	260	300	300	350
M18	90	110	250	290	350	420	410	490
M20	125	150	350	420	500	600	580	700
M22	170	200	470	560	670	800	780	930
M24	210	250	600	710	860	1020	1000	1180

* **NL** De wrijvingscoëfficiënt van 0,10 geldt voor geoliede plaat, gietijzer, geharde vlakken, vette schroefdraad, etc. De hogere waarde van 0,13 geldt voor een droge plaat. Uitzonderingen op deze tabel zijn vermeld in het onderdeelen- en/of instructieboek. Aanhaalmomenten voor bouten en moeren met gekarteide onderkant, zoals Tensilock en Whizlock, 10% extra.
 * **GB** The friction coefficient of 0,10 applies to oiled sheet, cast iron, hardened surfaces, greasy thread, etc. The higher value of 0,13 applies to dry sheet. Exceptions to this table are stated in the parts- and /or instruction manual. Torques for bolts and nuts with a knurled underside, like Tensilock and Whizlock, 10% extra.
 * **D** Der Reibungskoeffizient von 0,10 gilt für geölte Flächen, Gußeisen, gehärtete Flächen und Muttern mit gerändelter Unterseite, wie Tensilock und Whizlock, zuzüglich 10% extra.
 * **F** Le coefficient de frottement de 0,10 s'applique aux surfaces huilées, à la fonte, aux surfaces trempées, aux filetages graissés etc. Le coefficient de 0,13 aux surfaces sèches. Les exceptions à se tableau sont mentionnées dans la nomenclature des pièces et/ou dans le manuel d'emploi. Ajoutez 10% pour les boulons et écrous à partie inférieure crénelée, comme les Tensilock et les Whizlock.
 * **ES** El coeficiente de fricción de 0,10 es indicado para planchas lubricadas, hierro fundido, superficies endurecidas, rosca granizada, etc. El valor más alto de 0,13 es para planchas secas. Las excepciones a este cuadro se mencionan en el libro de repuestos y/o manual de instrucciones. Los pares de apriete para tornillos y tuercas con cara inferior dentada, como los Tensilock y Whizlock, 10% extra.
 * **I** Il coefficiente di frizione pari a 0,10 si riferisce a superfici oliate, alla ghisa, a superfici temprate, a filettature spesse ecc. Il valore più alto, pari a 0,13, si riferisce a superfici asciutte. Tutte le eccezioni a quanto riportato in questa tabella, si trovano nel libretto delle istruzioni. I momenti torcenti per bulloni e dadi la cui parte inferiore è zigrinata, come i Tensilock (K 100) e Whizlock, sono superiori del 10%.
 * **S** Friktionskoefficienten 0,10 gäller oljad plåt, gjutjärn, hårdade ytor, smorda gängor etc. Det högre värdet 0,13 gäller torr plåt. Undantag från denna tabell anges i reservdels- och/eller instruktionsboken.
 * **DK** Atdragningsmoment for råfflade bultar og muttrar, som Tensilock og Whizlock 10% extra.
 * **N** Friktionskoeffisienten på 0,10 gjelder for smurt plate, støbejern, herdede flater, innfattede gjenger etc. Den høyere verdien på 0,13 gjelder for tørr plate. Unntak fra denne tabellen er angitt i deleboken og/eller i instruksjonsboken. Tiltrekkningsmomenter for skruer og mutre med riflet underkant, som Tensilock (K100) og Whizlock 10% tillegg.

serial number 77126

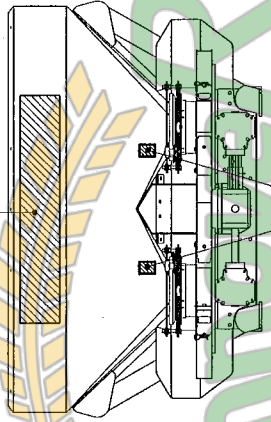
C15

EXACTA EL

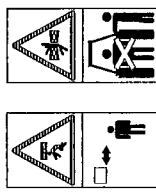
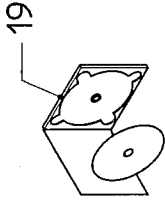


ACCORD

17



1	VNB1194874	1
2	VNB1181374	1
3	VNB3692674	1
7	VGTR2059	2
8	VGTR1010	2
9	VGTR2039	1
10	VNB0903374	1
11	VGTR2015	1
12	VGTR2011	1
13	VGTR2005	1
14	VGTR2023	1
15	VNB1310474	1
16	VNB2778874	2
17	VNB3405574	1
18	VNB3310674	2
19	AC748748	1



11

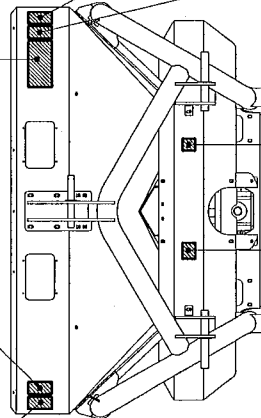
10



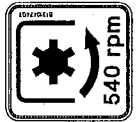
14



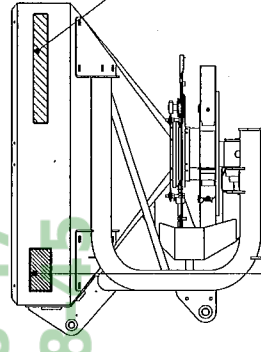
13



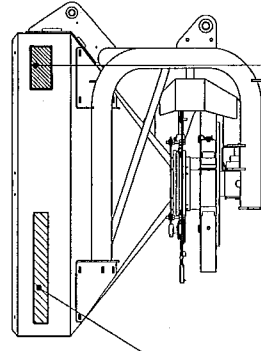
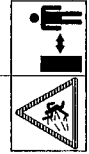
3
 Max. oöcbeMoeH
 Max. load capacity
 Max. nułozas!
 Chargement max.
1400 KG



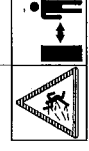
15



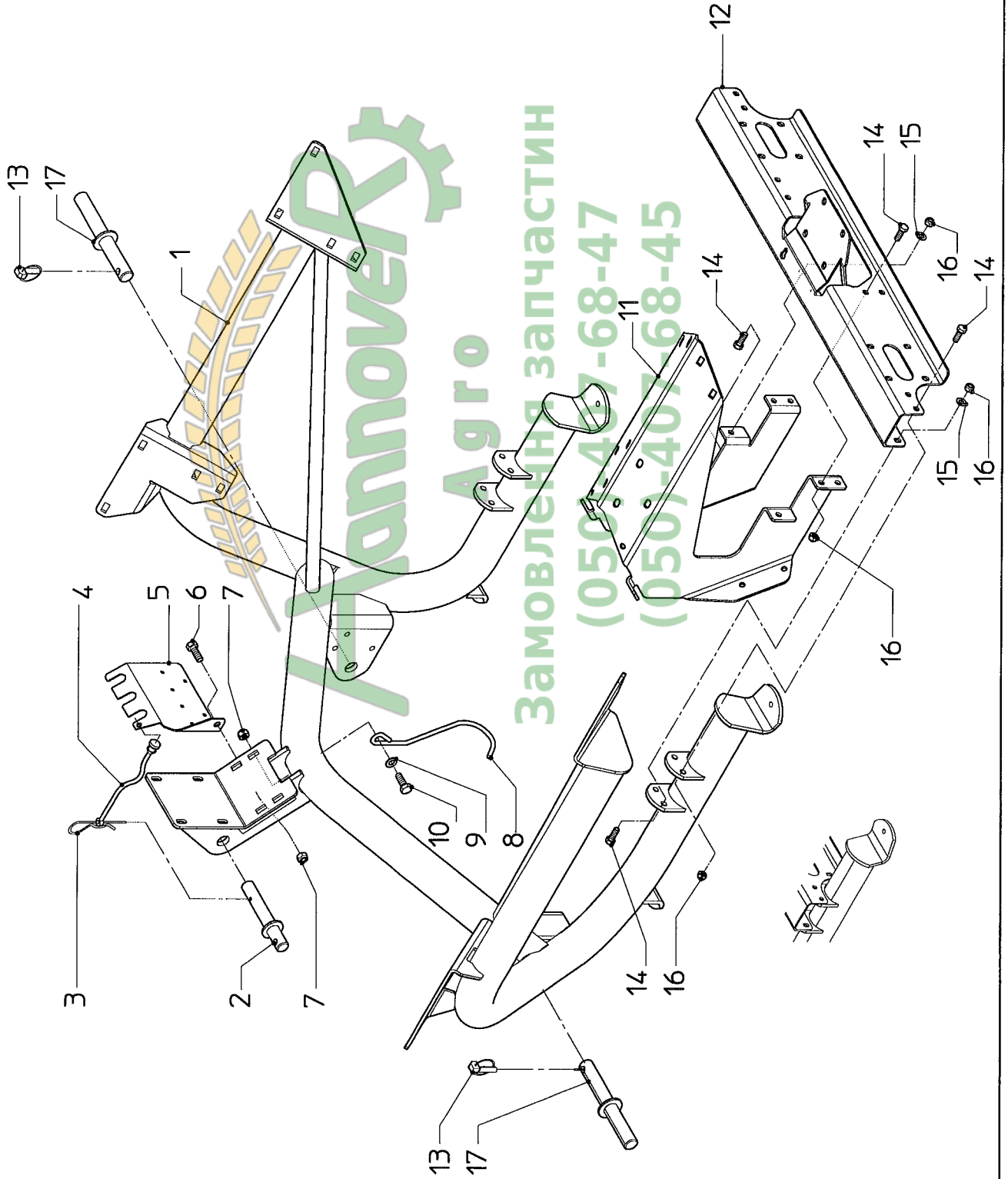
8



8



EXACTA-EL



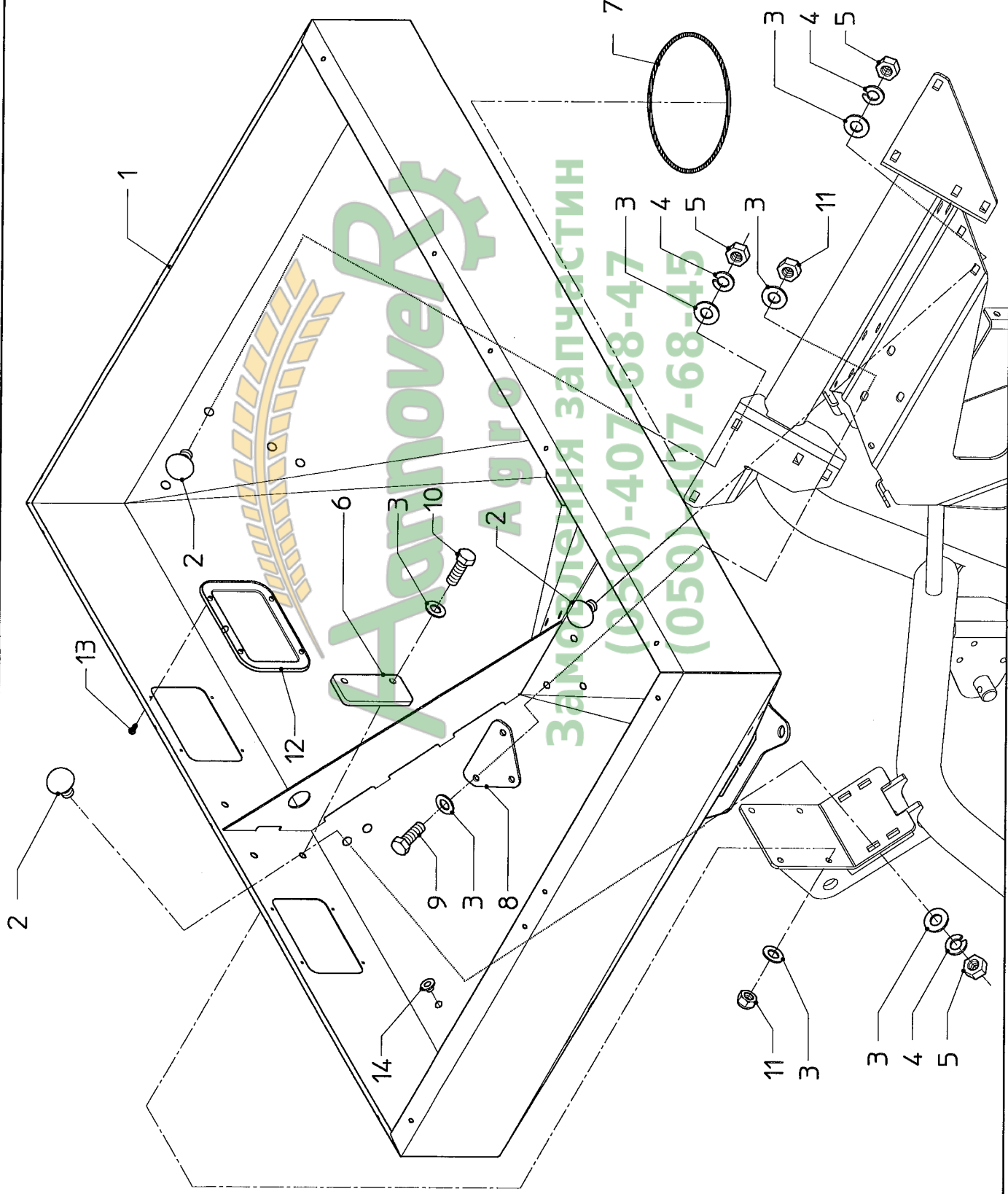
bestelnnummer ordernummer num. a commander Bestellnummer		
1	VNB3681394	1
2	VNB3776094	1
3	VNB0897393	1
4	VNB0870178	1
5	VNB1665294	1
6	KG00500900	1
7	KG01070100	2
8	VNB2332694	1
9	KG01264100	1
10	KG00501100	1
11	VNB36689294	1
12	VNB36689194	1
13	VNB0765193	2
14	KG00498700	14
15	KG01264000	6
16	KG01070000	14
17	VNB1599994	2

M12x30/RVS
M12/RVS/Nyloc
13/RVS
M12x40/RVS
M10x25/RVS
10.5/RVS
M10/RVS/Nyloc

serial number 77126

J3

EXACTA EL

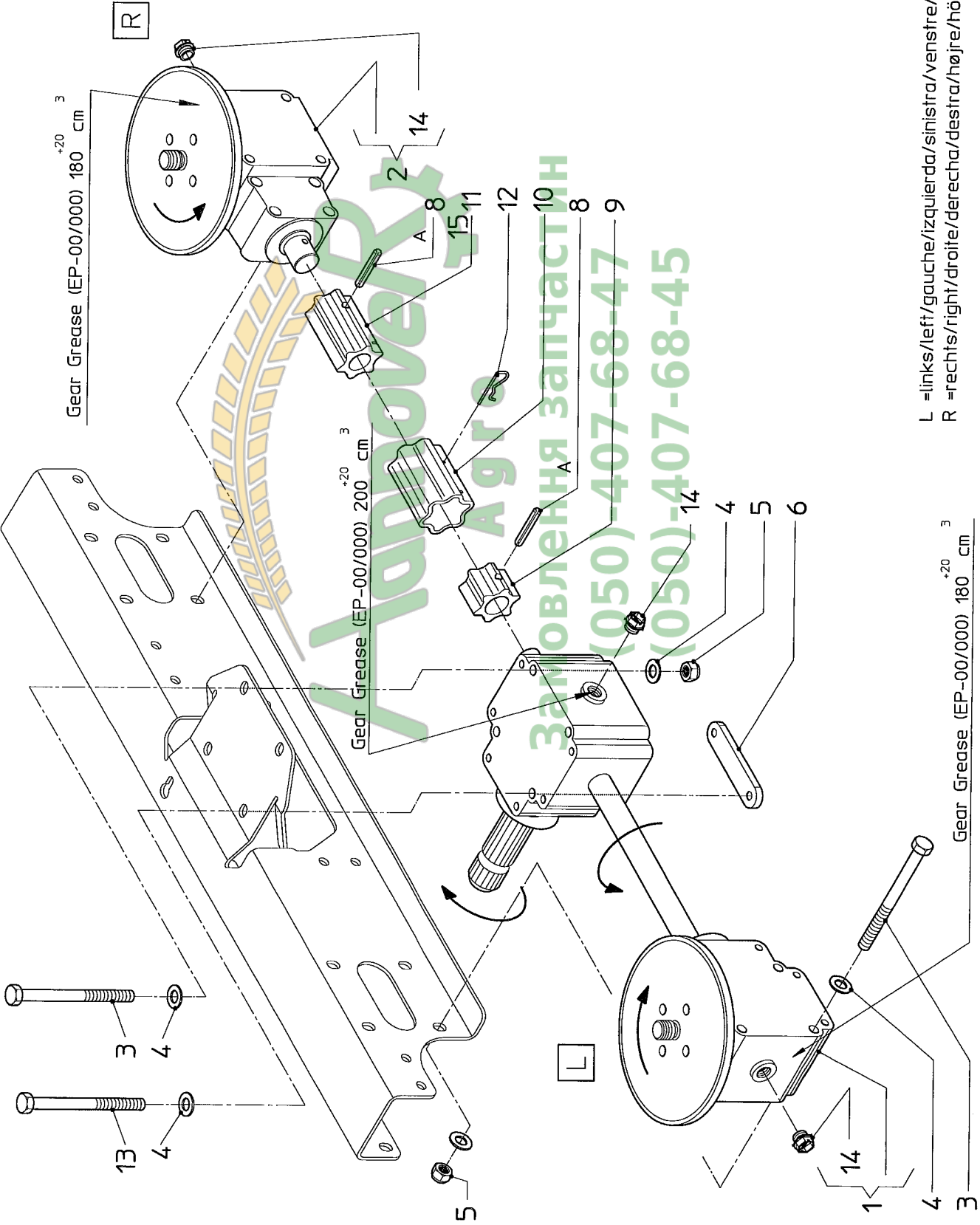


bestelnnummer	ordernumber	num. o. commander	Bestelnnummer
1	VNB3688294	1	M10x25/RVS
2	KG00654400	24	10,5/RVS
3	KG01264000	44	A10/RVS
4	VN30117100	24	M10/RVS
5	KG01053800	24	M10/RVS
6	VNB3689394	2	
7	VNB3698278	2	
8	VNB3689494	2	
9	KG00498800	6	M10x30/RVS
10	KG00498900	4	M10x35/RVS
11	KG01070000	10	M10/RVS/Nyloc
12	VNB2760978	2	
13	KG00747600	8	3,5x9,5/RVS
14	VNB3698378	2	

serial number 77126

J4

EXACTA EL



bestellnummer
ordernummer
num. a commander
Bestellnummer

1	VNB3689078	L	1
2	VNB2530294	R	1
3	KG00397400	M10x120/RVS	10
4	KG01264000	10.5/RVS	22
5	KG01070000	M10/RVS/Nylac	10
6	VNB3307994		1
8	KG01204300	8x40/RVS	2
9	VNB3705493		1
10	VNB3705593		1
11	VNB3705393		1
12	VNB1082102		1
13	KG00397300	M10x110/RVS	2
14	VNB3734878		3

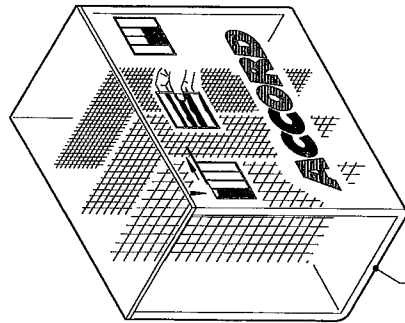
L =links/left/gauche/izquierda/sinistra/venstre/vänster
R =rechts/right/droite/derecha/destra/højre/höger

Gear Grease (EP-00/000) 180 cm

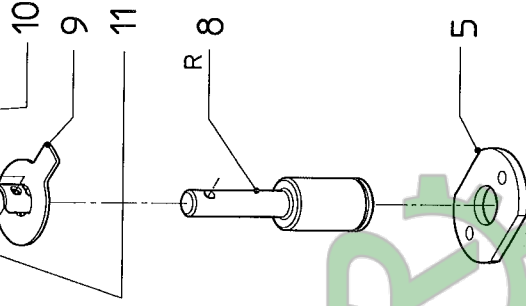
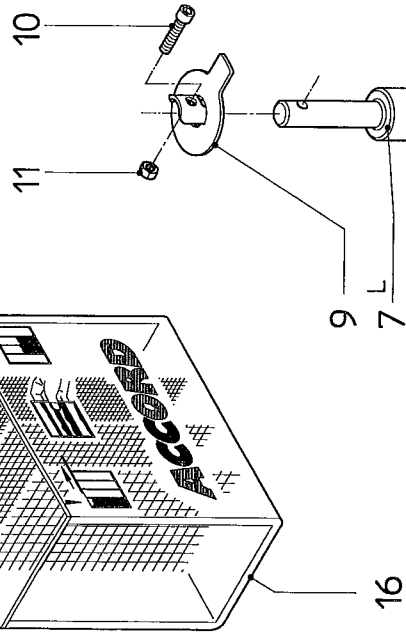
serial number 77126

J5

EXACTA EL

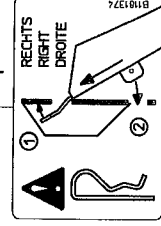
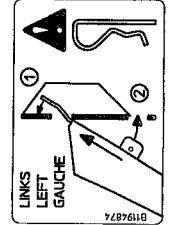
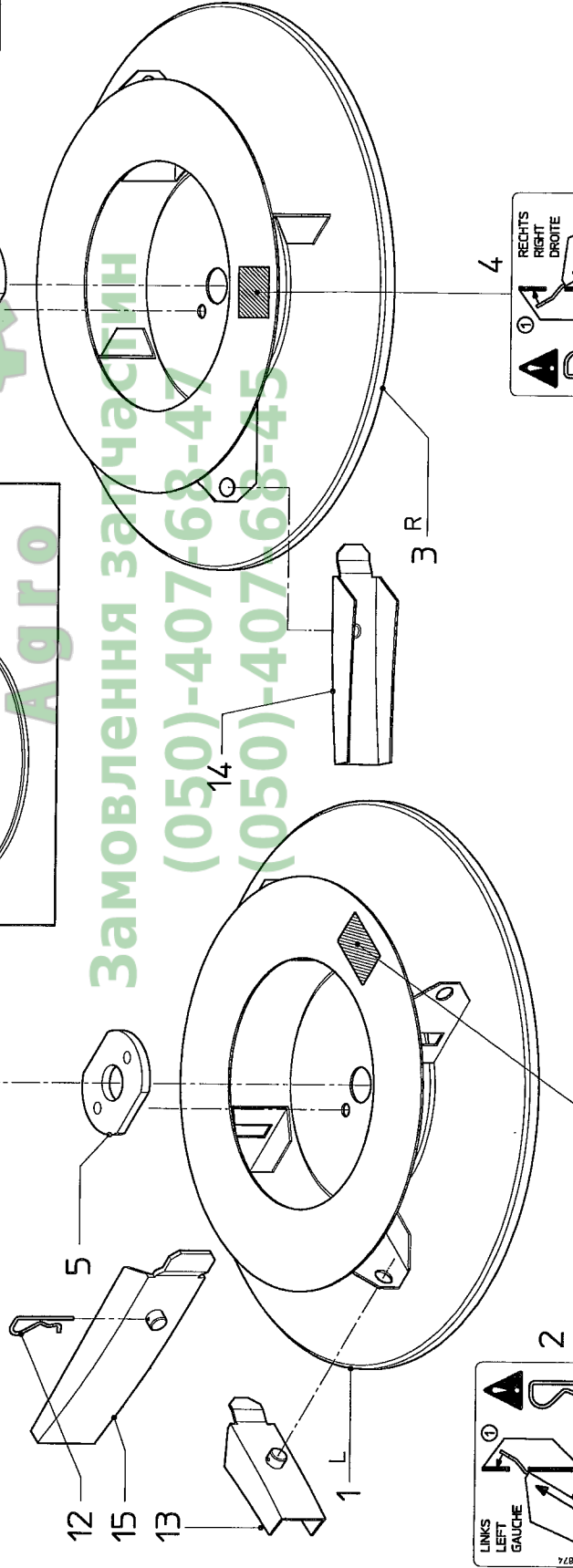
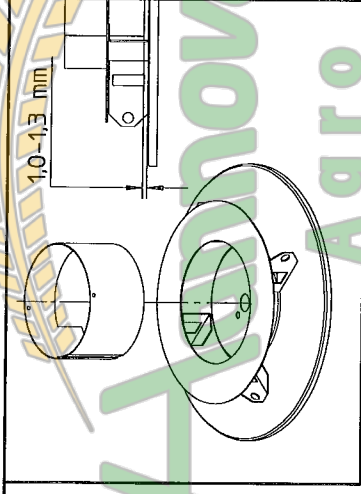


ACCESSOIRE
VN79770216X



1	VNB2307802	1	L
2	VNB1194874	1	L
3	VNB2308002	1	R
4	VNB1181374	1	R
5	VNB2333494	2	L
7	VNB2493094	1	R
8	VNB2493194	1	R
9	VNB2333794	2	M8x35/RVS
10	KG00565700	2	M8/RVS/Nyloc
11	KG01069900	2	L=135
12	VNB1082102	8	L=185
13	VNB1998902	4	L=235
14	VNB1999002	4	
15	VNB1999102	4	
16	VN79770528	1	

17	VN79770216X	1
18	VNB1709302	1
18	VNB1754278	1



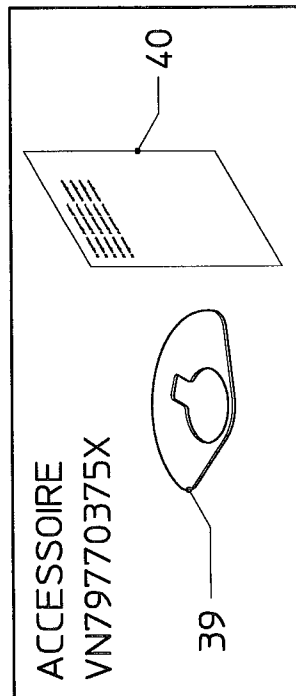
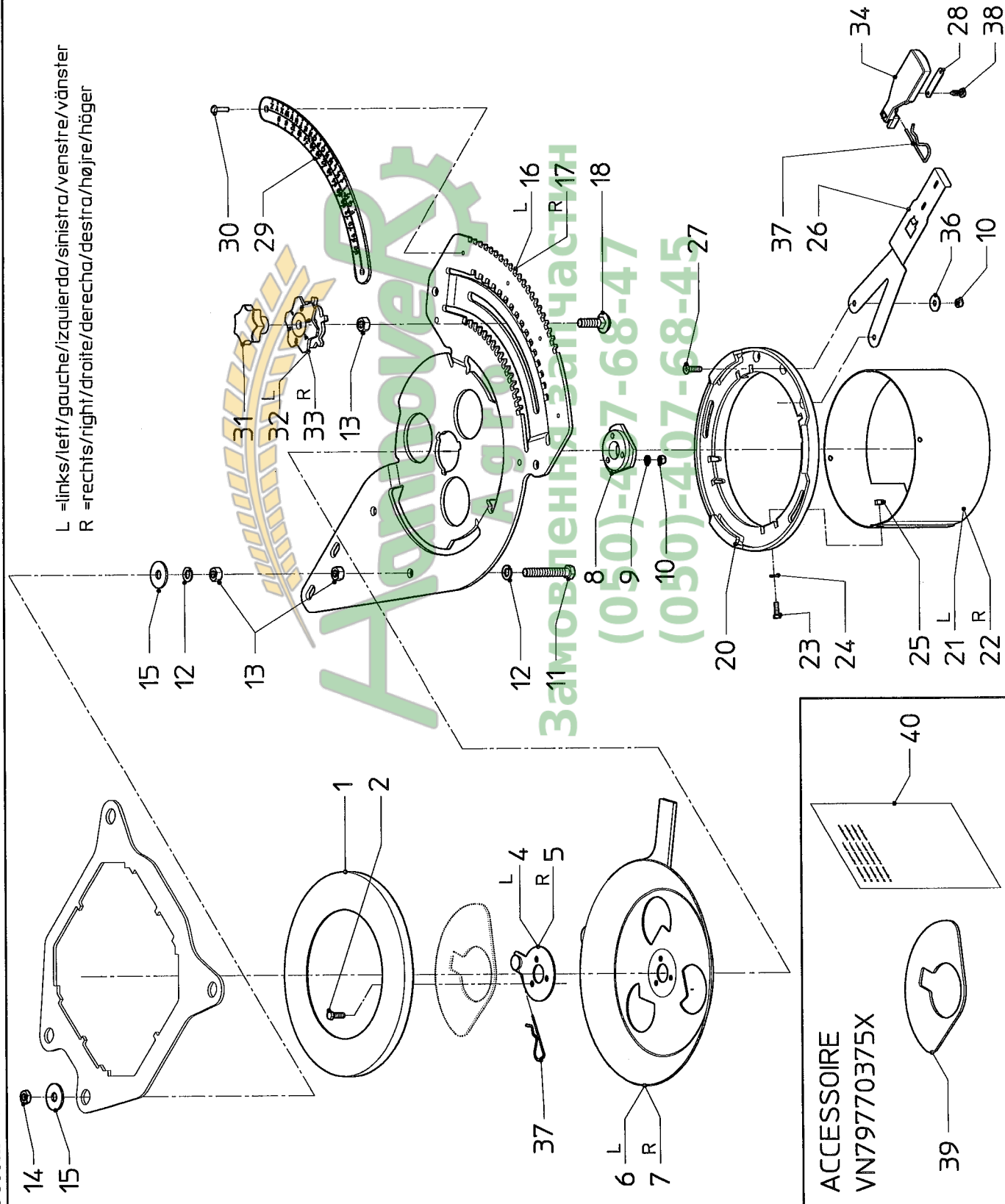
L =links/left/gauche/izquierda/sinistra/venstre/vänster
R =rechts/right/droite/derecha/destra/højre/höger

serial number 77126

J6

EXACTA EL

L =links/left/gauche/sinistra/venstre/vänster
R =rechts/right/droite/derecha/destra/højre/höger



bestelnnummer
ordernummer
num. a commander
Bestellnummer

1	VNB2333878	2	M6x25/RVS
2	KG00495300	6	L
4	VNB2602702	1	R
5	VNB2602802	1	L
6	VNB3694402	1	R
7	VNB3694502	2	A6/RVS
8	VNB1578878	6	M6/RVS/Nylloc
9	VN30117600	10	M10x65/RVS
10	KG01069800	8	A10
11	KG00499500	16	M10/RVS
12	VN30117100	18	M10/RVS/Form B
13	KG01053800	8	A10,5/RVS
14	KG01044900	1	L
15	KG01257800	1	R
16	VNB3694194	1	M10x40/RVS
17	VNB3694294	2	L
18	KG00654700	2	R
20	VNB1617078	1	M5x16/RVS
21	VNB2334502	1	5,3/RVS
22	VNB2334602	8	M5/RVS/Nylloc
23	KG00713700	8	M6x16/RVS
24	KG01263700	2	4x8/RVS
25	KG01069700	2	L
26	VNB3559602	4	R
27	KG00870000	2	A6,4/RVS
28	VNB3559902	4	3,5x9,5/RVS
29	VNB3342278	8	
30	VN30109004	8	
31	VNB3327078	2	
32	VNB3323078	1	
33	VNB3323178	1	
34	VNB3559478	2	
36	KG01257400	4	
37	VNB1082102	4	
38	KG00747600	4	

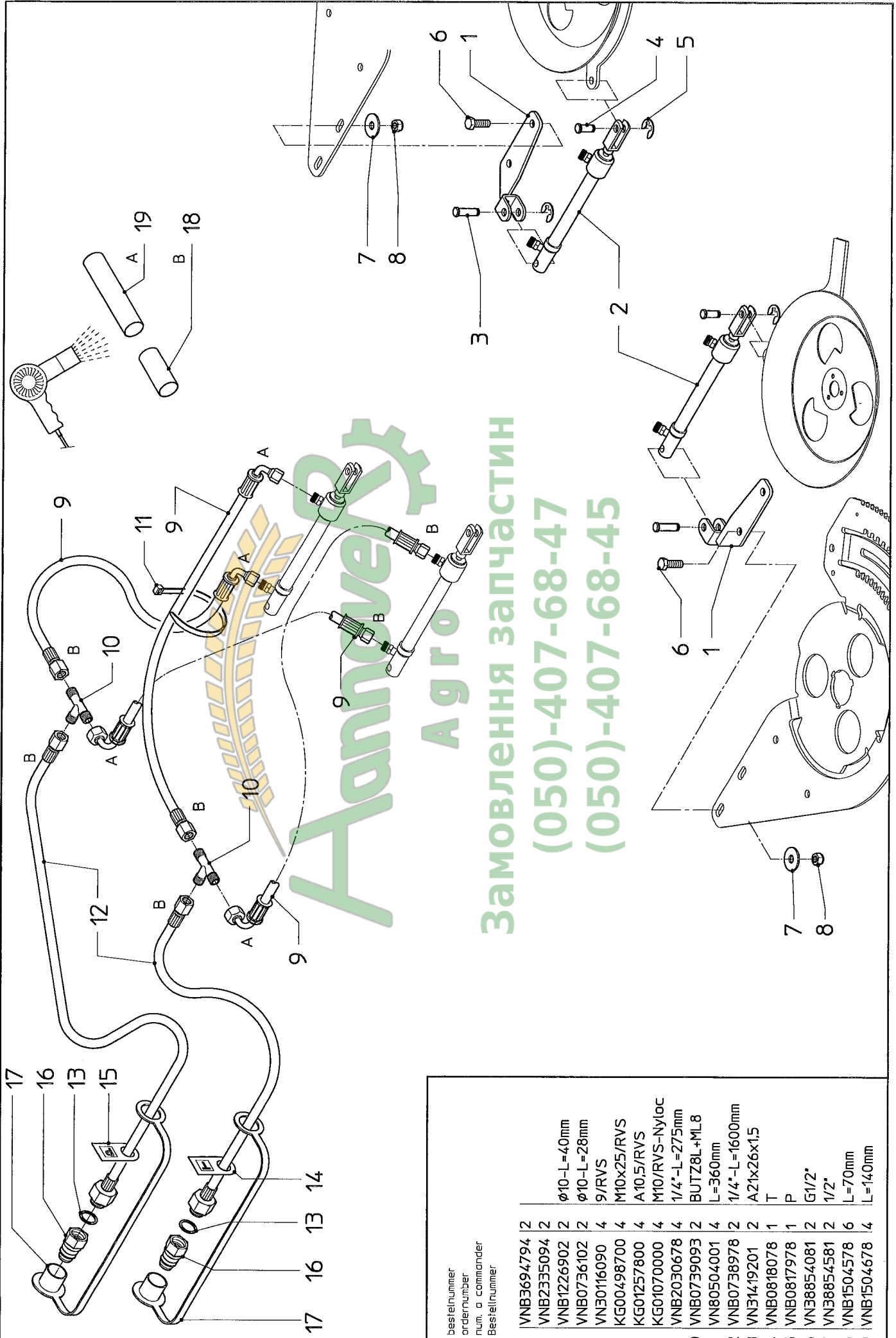
ACCESSOIRE

VN79770375X1	2
VNB2607702	1
VN70009471	1

serial number 77126

J7

EXACTA EL



Аноновел

Агро

Замовлення запчастин
(050)-407-68-47
(050)-407-68-45

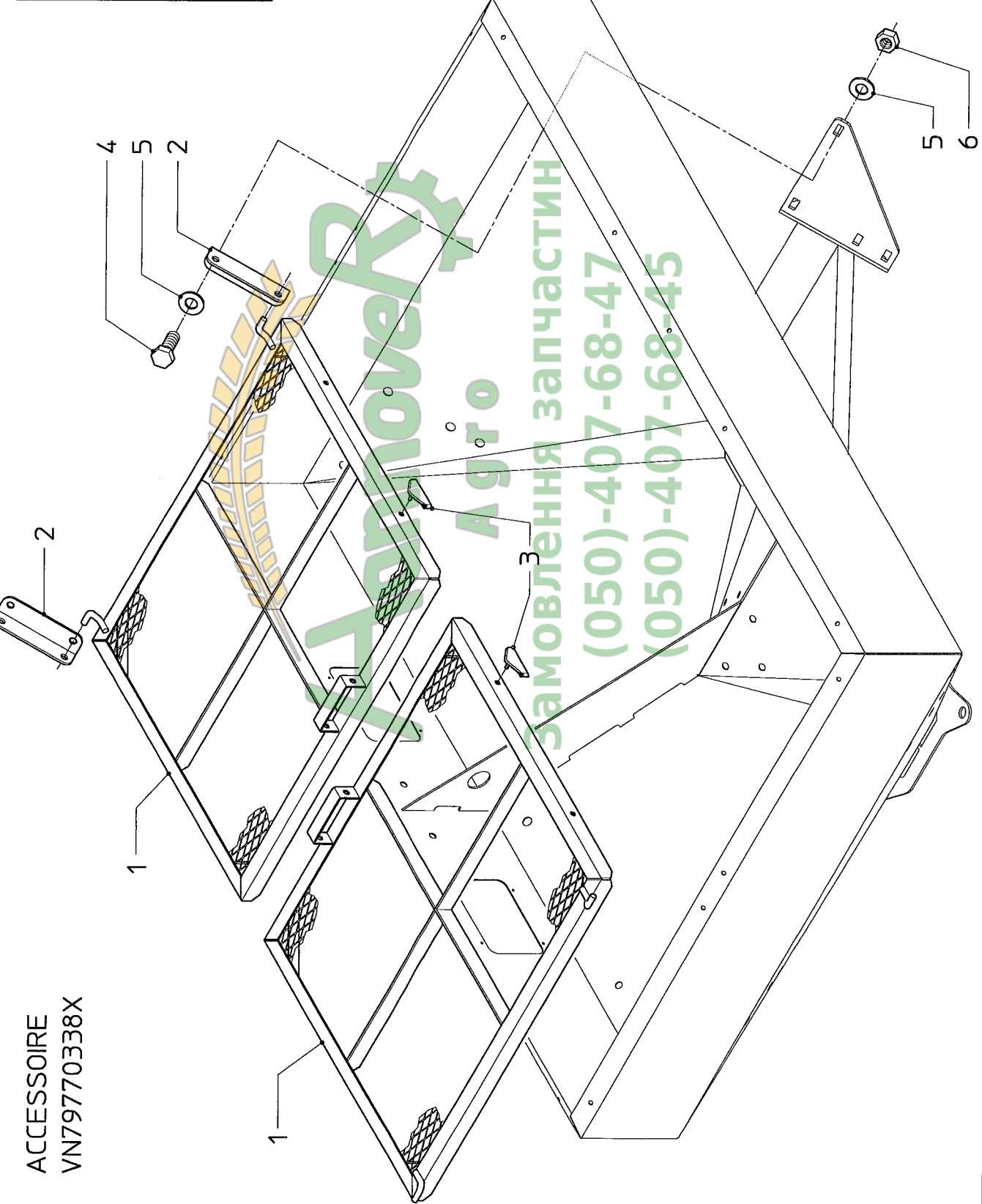
1	2	3	4	5	6	7	8	9	10	11	12	13	14	15	16	17	18	19
bestelnummer	ordernummer	num. a commander	Bestelnummer															
VNB3694794																		
VNB2335094																		
VNB1226902																		
VNB0736102																		
VN30116090																		
KG00498700																		
KG01257800																		
KG01070000																		
VNB2030678																		
VNB0739093																		
VN80504001																		
VNB0738978																		
VN31419201																		
VNB0818078																		
VNB0817978																		
VN38854081																		
VN38854581																		
VNB1504578																		
VNB1504678																		

serial number 77126

J8

EXACTA EL

ACCESSOIRE
VN79770338X



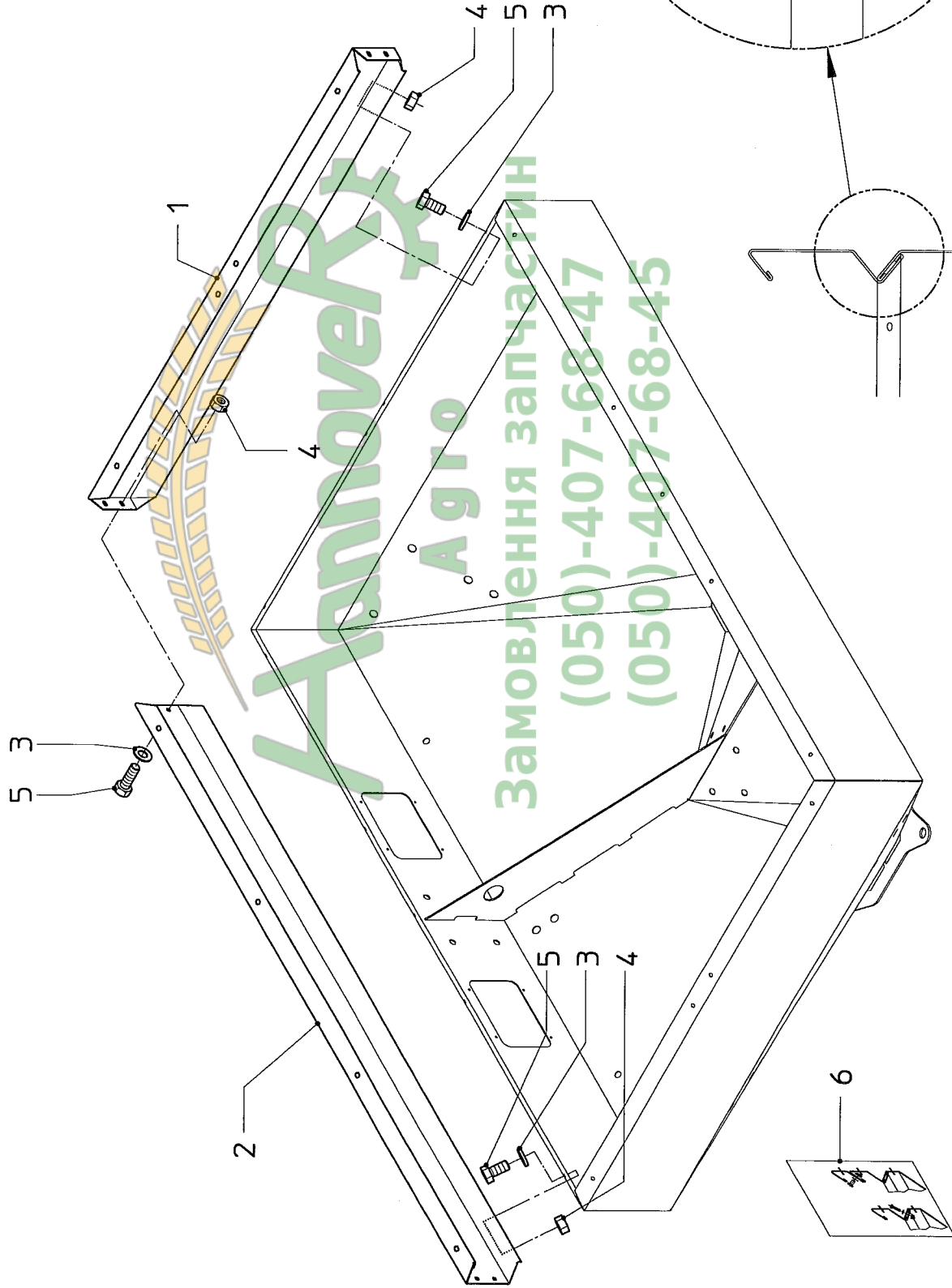
bestelnnummer ordernummer num. a commander Bestellnummer	VN79770338X1
1	VNB2301894 2
2	VNB2301294 4
3	VNB2068778 4
4	KG00498800 8
5	KG01264000 16
6	KG01070000 8
7	VN70009393 1

M10x30/RVS
10,5/RVS
M10/RVS/Nyloc

ACCESSOIRE
VN79770373X

bestelnummer
ordernumber
num. o commander
Bestellnummer

1	VN79770373X1		
2	VNB1872394	2	
3	VNB2545894	2	
4	KG01263800	26	6.4/RVS
5	KG01059600	26	M6/RVS
6	KG00495100	26	M6x16/RVS
	VN70009452	1	



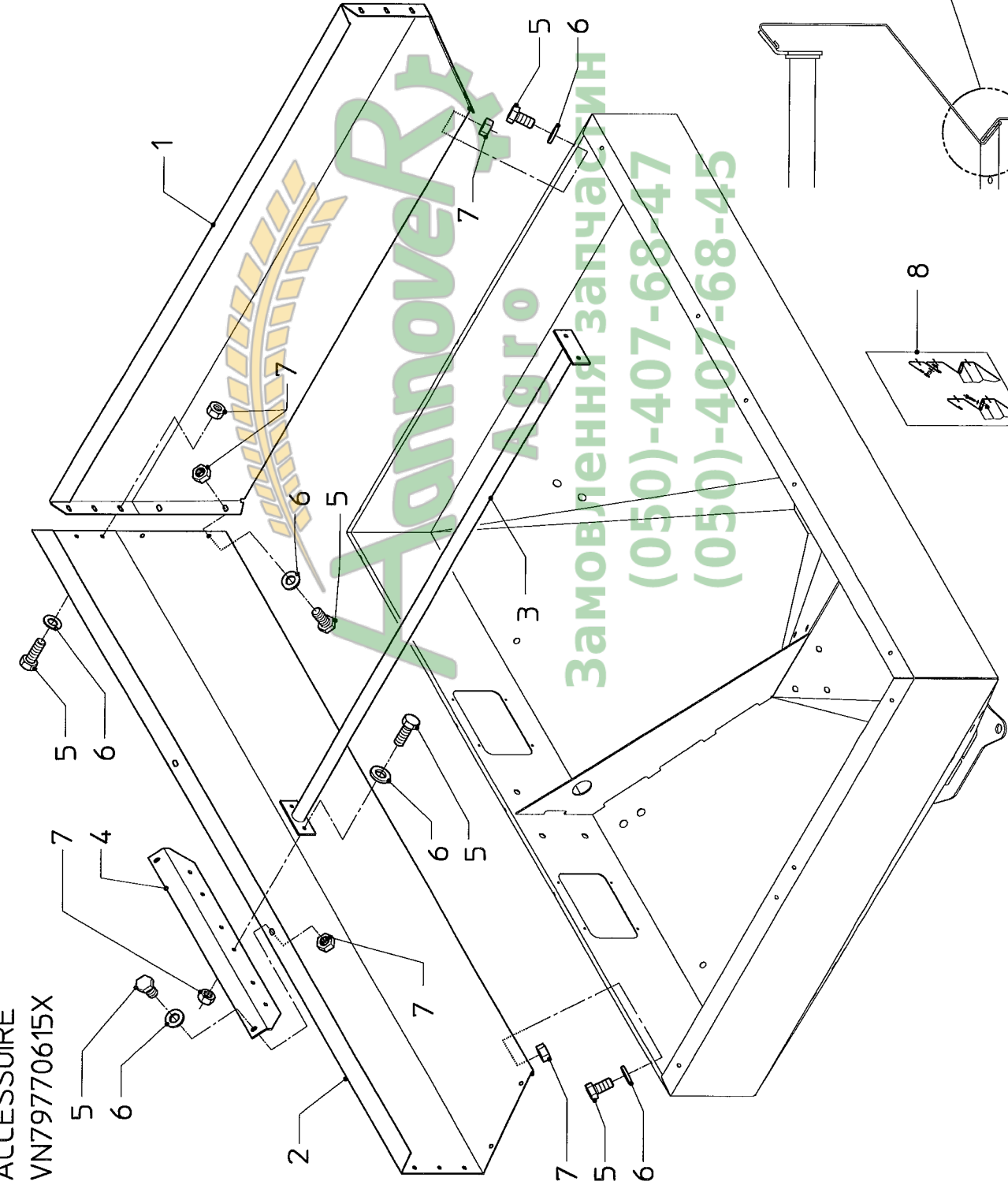
Агро
Замовлення запчастин
(050)-407-68-47
(050)-407-68-45

serial number 77126

J10

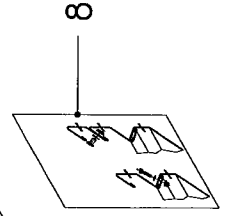
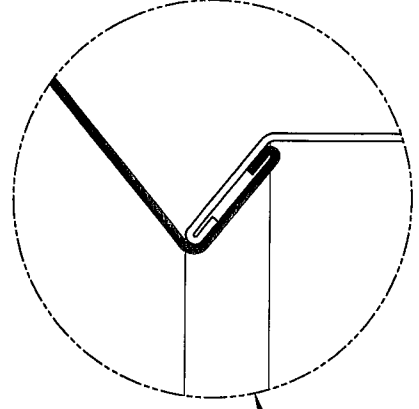
EXACTA EL

ACCESSOIRE
VN79770615X



bestellnummer
ordernumber
num. o commander
Bestellnummer

1	VN79770615X	1	
2	VNB3671394	2	
3	VNB3671294	2	
4	VNB1871094	1	
5	VNB1871294	2	
6	KG00495100	46	M6x16/RVS
7	KG01263800	46	6,4/RVS
8	KG01059600	46	M6/RVS
	VN70009706	1	



serial number 77126

J11

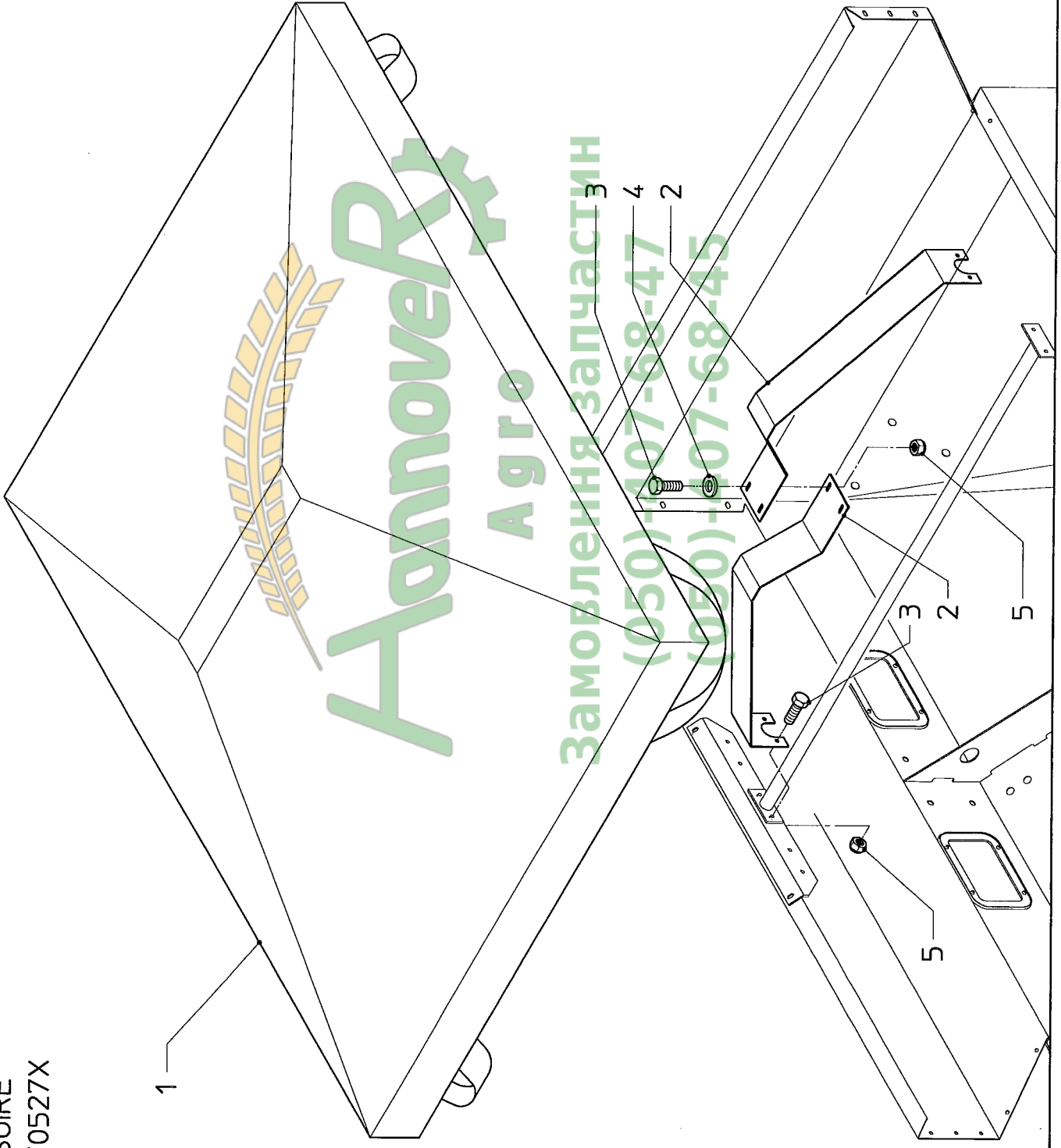
EXACTA EL

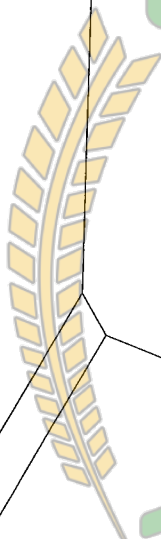
ACCESSOIRE

VN79770527X

bestelnnummer
ordernummer
num. o commander
Bestellnummer

VN79770527X1
1 VNB3310778 1
2 VNB2306994 2
3 KG00495200 6 M6x20/RVS
4 KG01263800 2 6.4/RVS
5 KG01059600 6 M6/RVS
6 VN70009395 1





Hannover

 Агро

 Заповлення запчастин

 (050)-407-68-47

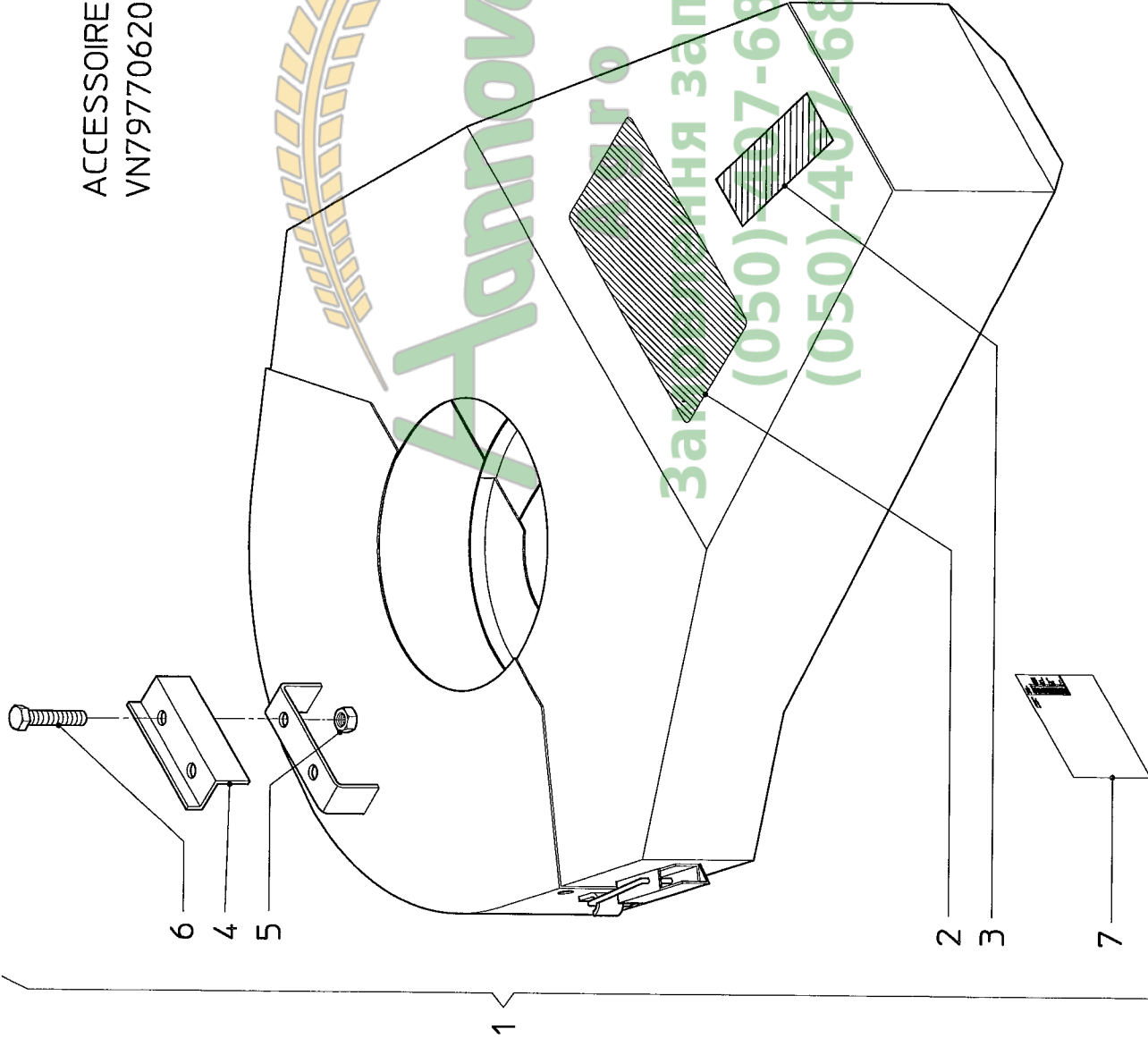
 (050)-407-68-45

serial number 77126

J12

EXACTA EL

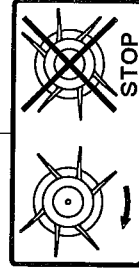
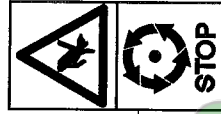
ACCESSOIRE
VN79770620



bestelnnummer
ordernummer
num. a commander
Bestellnummer

1	VN79770620	1
2	VNB3708174	1
3	VGTR2023	1
4	VNB3712494	1
5	KG01069800	2
6	KG00495100	2
7	VN70009711	1

M6/RVS/Nyloc
M6x16/RVS



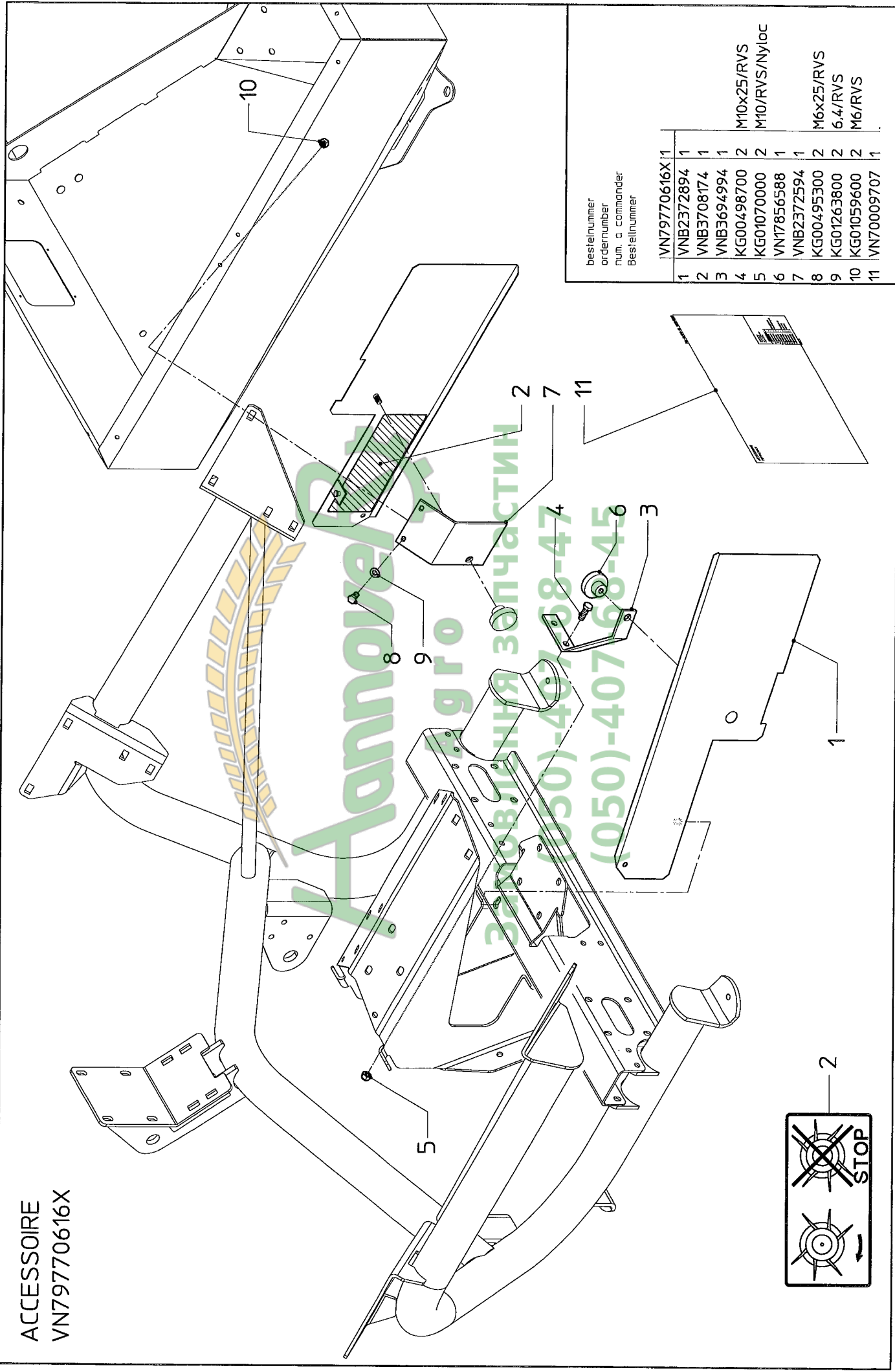
serial number 77126

J13

EXACTA EL

ACCESSOIRE

VN79770616X



bestellnummer
 ordernumber
 num. o commander
 Bestellnummer

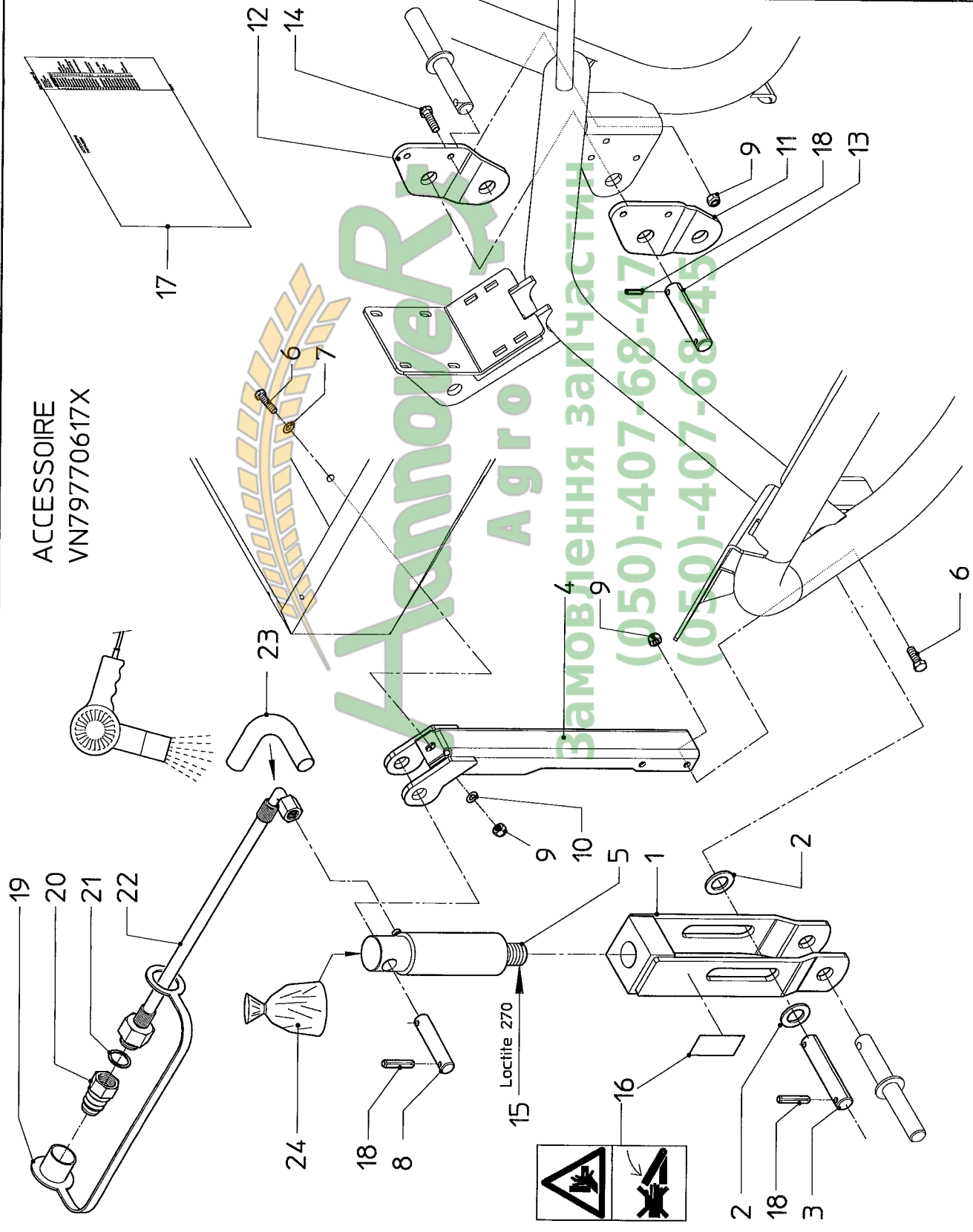
VN79770616X	1	M10x25/RVS
VNB2372894	1	M10/RVS/Nyloc
VNB3708174	1	M6x25/RVS
VNB3694994	1	6.4/RVS
KG00498700	2	M6/RVS
KG01070000	2	
VN17856588	1	
VNB2372594	1	
KG00495300	2	
KG01263800	2	
KG01059600	2	
VN70009707	1	

serial number 77126

J14

EXACTA EL

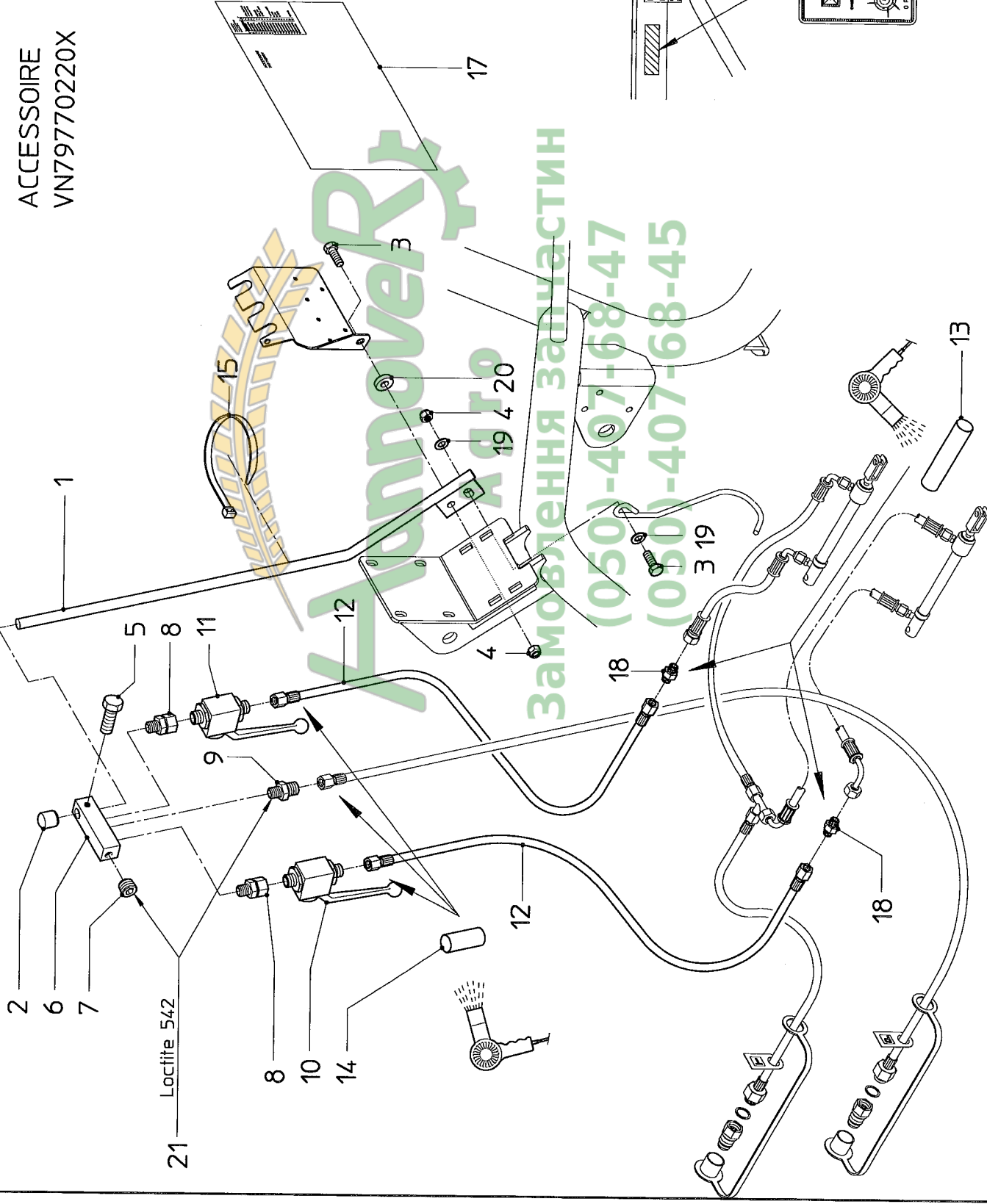
ACCESSOIRE
VN79770617X



bestelnummer
ordernumber
num. o commander
Bestellnummer

1	VN79770617X	1	M10x30/RVS
2	VNB3713094	1	M10/RVS/Nyloc
3	VN19456725	2	10.5/RVS
4	VNB3712694	1	
5	VNB3712794	1	
6	VNB2498994	1	
7	KG00498800	5	
8	VNB3596502	1	
9	VNB1608494	1	
10	KG01070000	9	
11	KG01264000	1	
12	VNB3710194	1	
13	VNB3710294	1	
14	VNB3710394	1	
15	KG00498900	4	M10x35/RVS Locitite 270
16	VGTR2059	1	
17	VN70009708	1	
18	KG01204300	6	8x40/RVS
19	VN38854581	1	1/2"
20	VN38854081	1	1/2"
21	VN31419201	1	21x26x15
22	VNB0835278	1	1/4"-L=2000
23	VNB1504678	1	L=140
24	VNB0835678	1	Sealkit

ACCESSOIRE
VN79770220X



bestelnnummer ordernumber num. o commander Bestellnummer		
VN79770220X	1	1
VNB1840194	1	1
VNB0854378	1	1
KG00501200	2	M12x45/RVS
VN30598012	2	K10/M12/DM
KG00498500	1	M10x16/RVS
VNB1308693	1	M12x1,5
KG01031961	1	RAL 8M
VN38820225	2	S-GEV 8LM
VN38820194	1	
VN17895704	1	
VN17895703	1	
VNB1797478	2	1/4"-L=1250
VNB1504678	2	L=140
VNB1504578	3	L=70
VN80504001	4	L=360
VNB1727574	1	
VN70009207	1	
VNB0854293	2	
KG01264100	2	13/RVS
VNB1947886	1	
	21	Locitite 542

serial number 77126

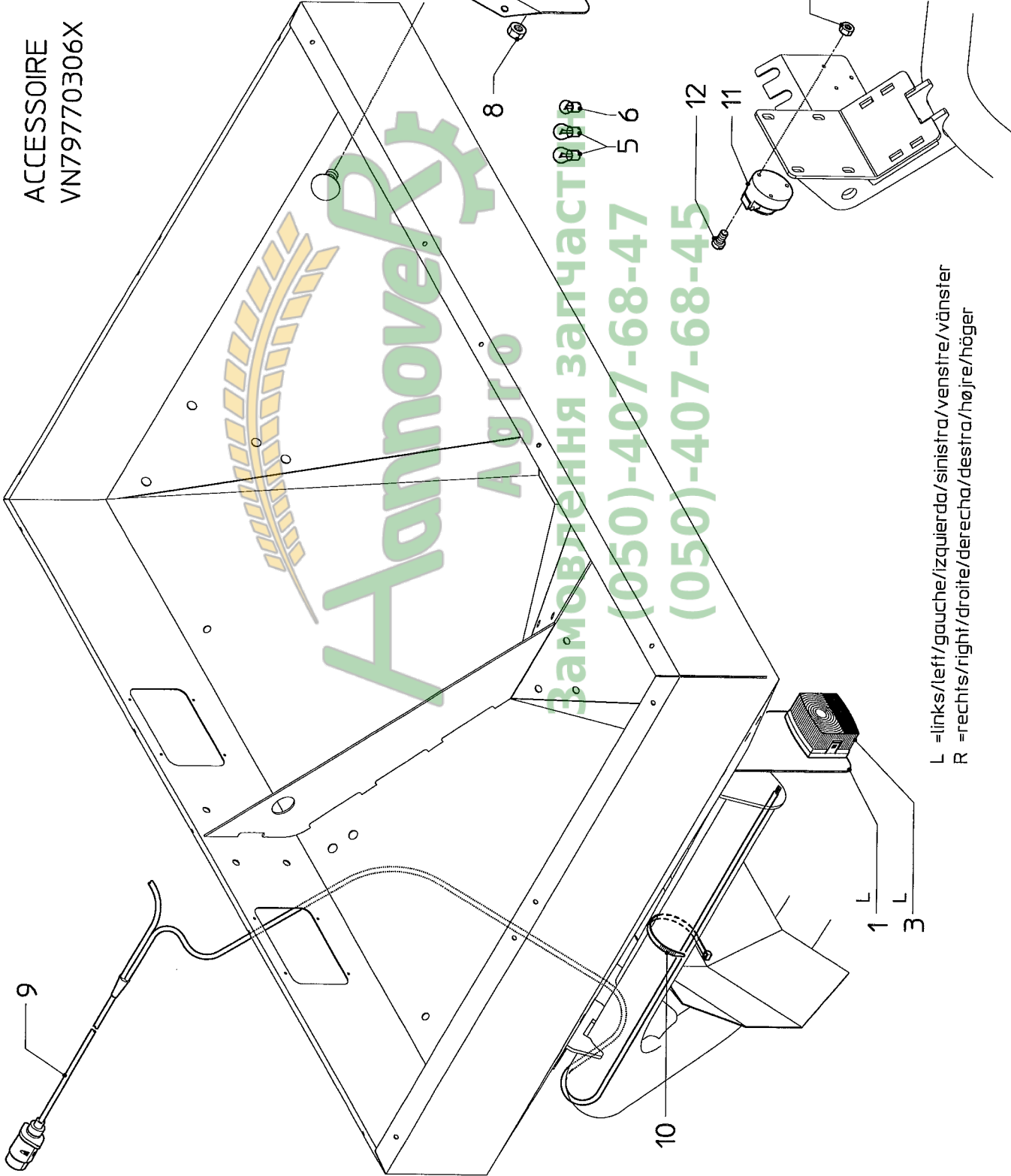
J16

EXACTA EL

ACCESSOIRE
VN79770306X

bestelnummer
ordernumber
num. a commander
Bestellnummer

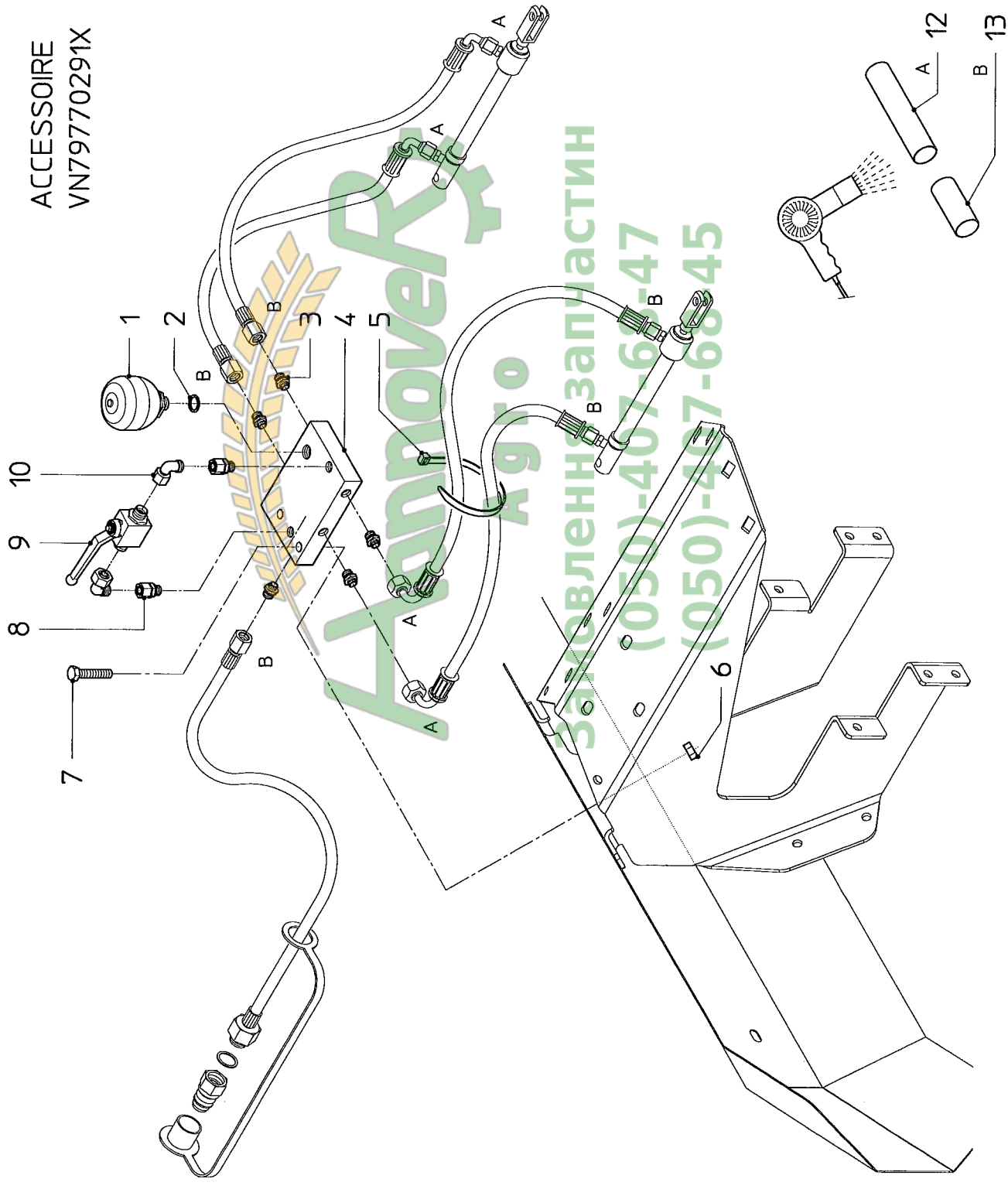
VN79770306X1													
1	VNB2358087	L	1										
2	VNB2358187	R	1										
3	VN48520009	L	1										
4	VN48520005	R	1										
5	VN48523002		4										
6	VN48523001		2										
7	KG00713700	M5x16/RVS	4										
8	KG01069700	M5/RVS/Nyloc	7										
9	VNB1896878		1										
10	VN80504001		12										
11	VNB0341273		1										
12	KG00714100	M5x35/RVS	3										
13	VN70009391		1										



L =links/left/gauche/izquierda/sinistra/venstre/vänster
R =rechts/right/droite/derecha/destra/højre/höger

Hannover Agro
Замовлення запчастин
(050)-407-68-47
(050)-407-68-45

ACCESSOIRE
VN79770291X



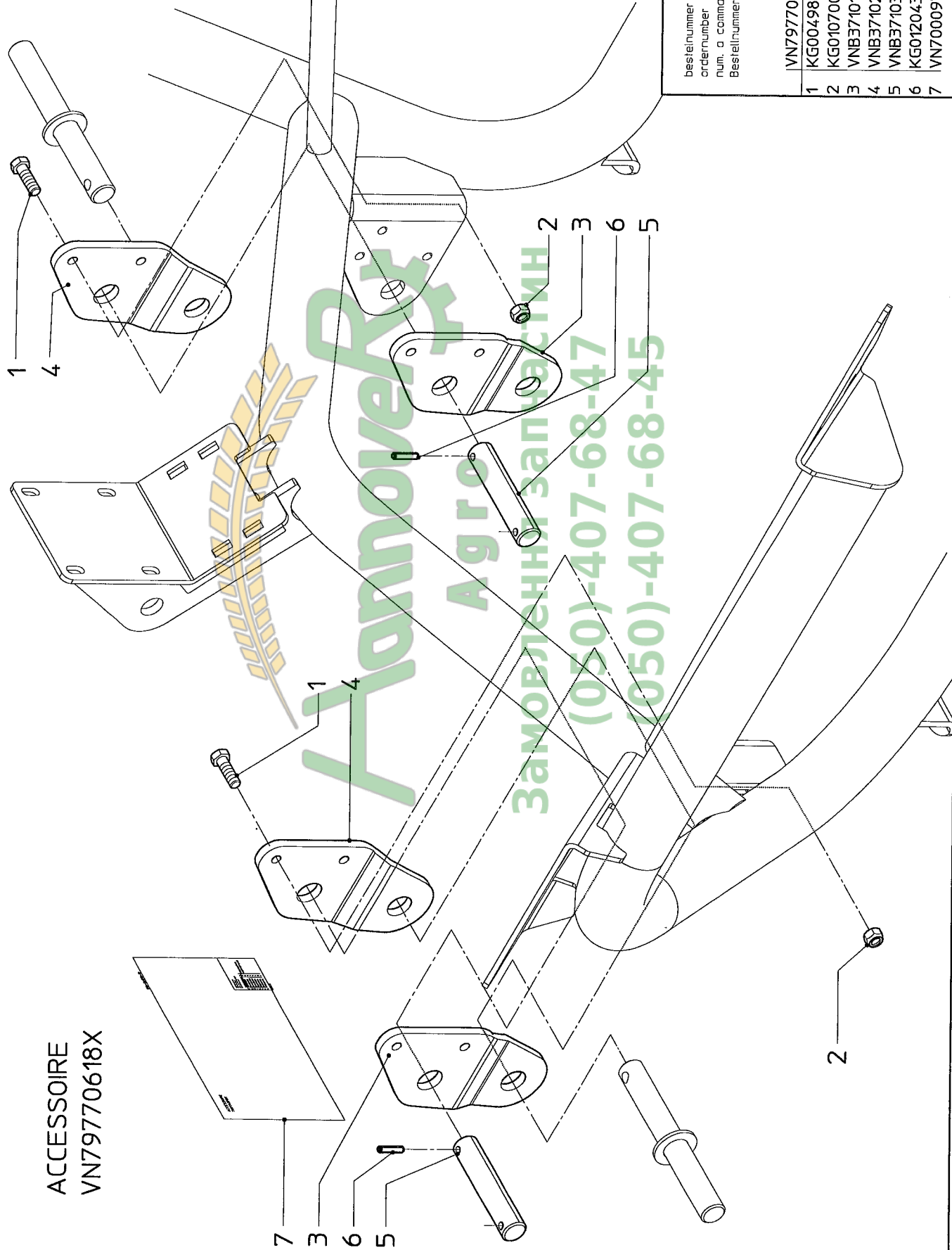
	bestelnummer ordernumber num. a commander Bestellnummer	
1	VN79770291X	1
2	VN17883776	16x20x1,5/CU
3	VN31419024	S-GEV 8LM
4	VN38820194	L=360
5	VNB2442302	M10/RVS/Nyloc
6	VN80504001	M10x50/RVS
7	KG01070000	RAL 8M
8	KG00499200	EEL-8
9	VN38820225	L=140
10	VN17895704	L=70
11	VN38608039	
12	VN70009417	
13	VNB1504678	
	VNB1504578	

serial number 77126

K2

EXACTA EL

ACCESSOIRE
VN79770618X



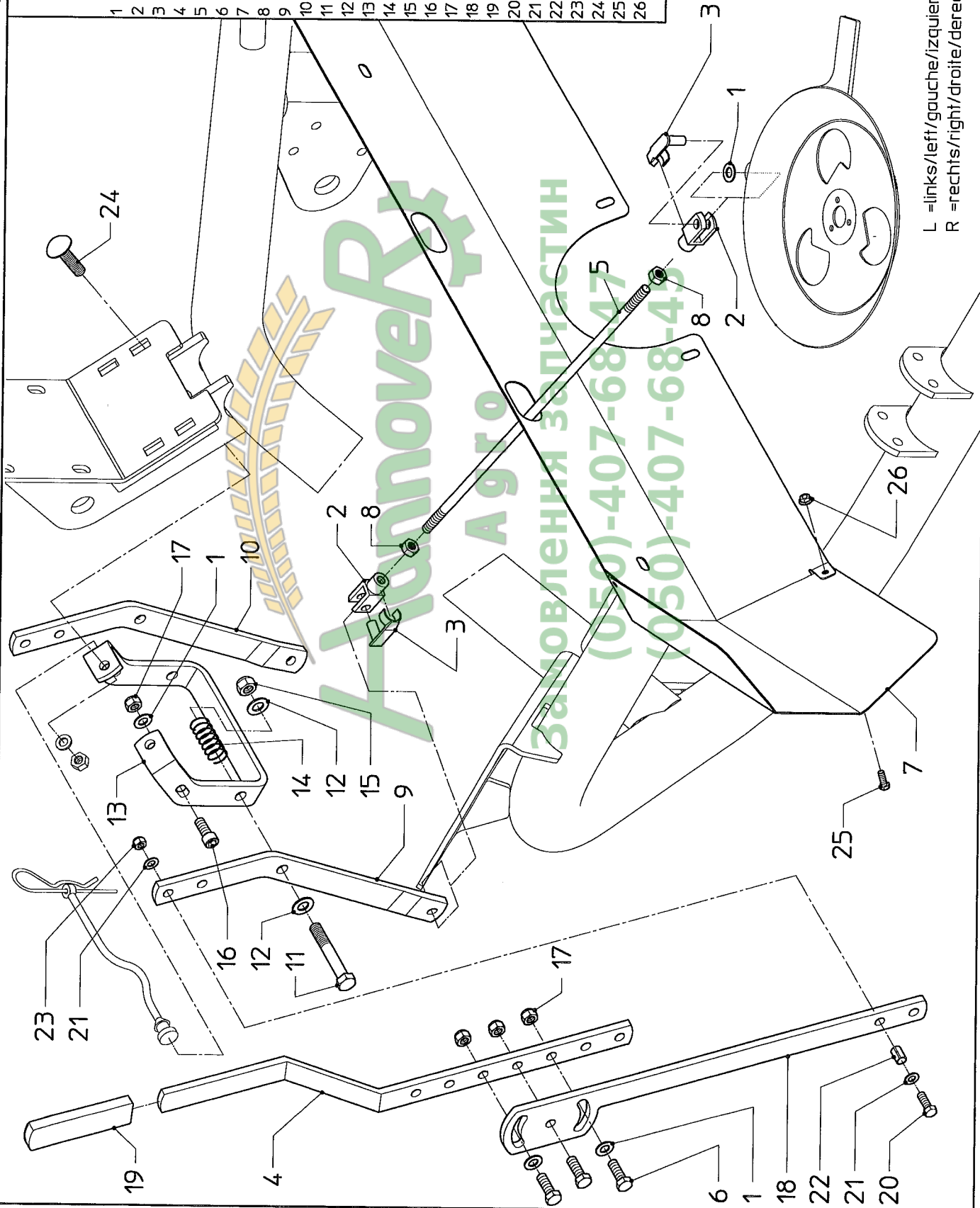
bestelnnummer
ordernummer
num. a commander
Bestellnummer

VN79770618X	1	
KG00498900	8	M10x30/RVS
KG01070000	8	M10/RVS/Nyloc
VNB3710194	2	
VNB3710294	2	
VNB3710394	2	
KG01204300	4	8x40/RVS
VN70009709	1	

serial number 77126

K3

EXACTA EL



bestelnúmer
 ordernúmer
 num. a commander
 Bestellnúmer

1	KG01264000	8	10,5/RVS
2	VNB2927678	4	
3	VNB2927778	4	
4	VNB2868494	2	
5	VNB2927502	2	
6	KG00498800	6	M10x30/RVS
7	VNB3796802	1	
8	KG01053800	4	M10/RVS
9	VNB2713494	1	L
10	VNB2713594	1	R
11	KG00398900	2	M12x80/RVS
12	KG01264100	4	13/RVS
13	VNB2713694	1	
14	VN98630051	2	
15	KG01070100	2	M12/RVS/Nyloc
16	KG00567300	2	M10x25/RVS
17	KG01070000	8	M10/RVS/Nyloc
18	VNB2868394	2	
19	VN90070600	2	
20	KG00497200	4	M8x30/RVS
21	KG01263900	8	8,4/RVS
22	VN30854116	4	1x16
23	KG01069900	4	M8/RVS/Nyloc
24	KG00654500	2	M10x30/RVS
25	KG00494900	4	M6x12/RVS
26	KG01059600	4	M6/RVS

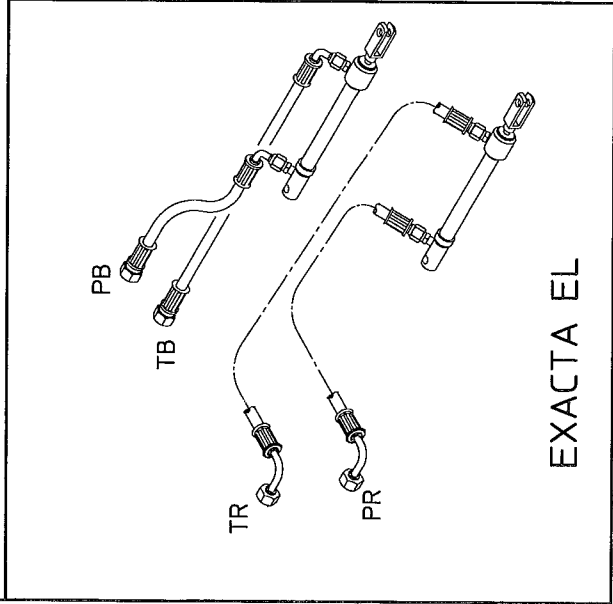
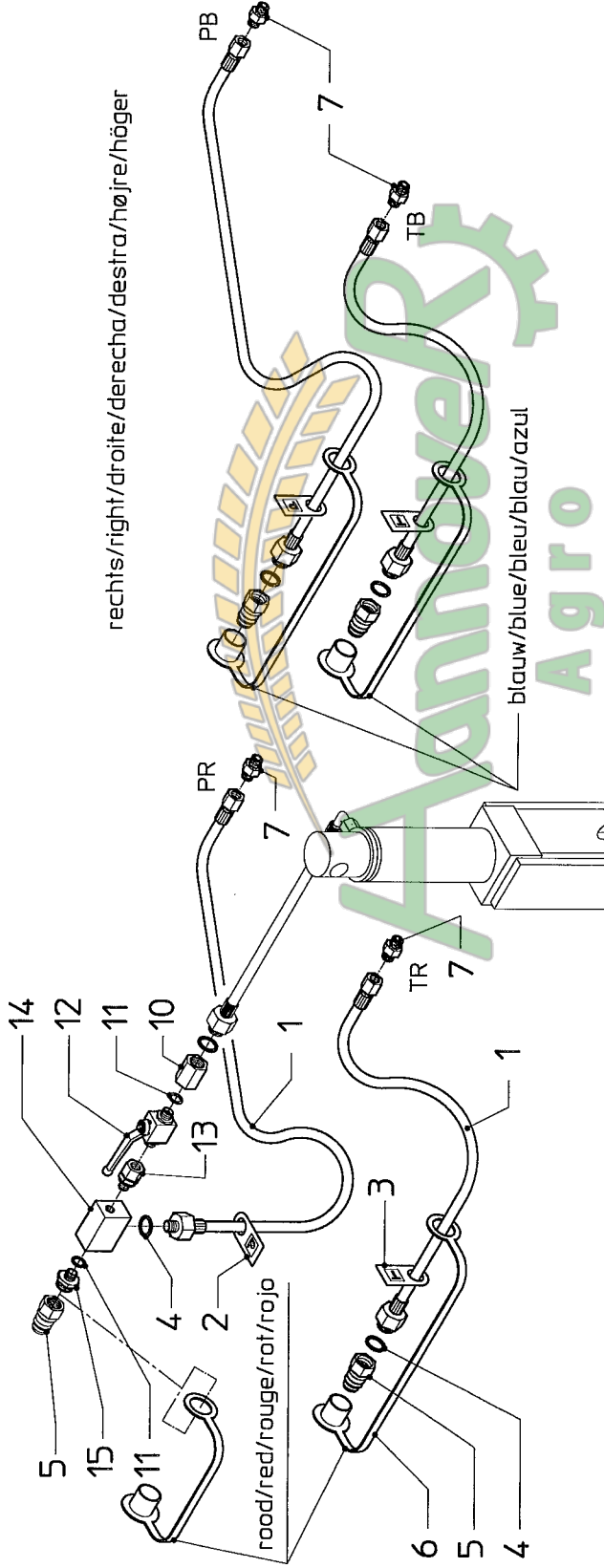
L =links/left/gauche/sinistra/vänstre/vänster
 R =rechts/right/droite/derecha/destra/højre/höger

serial number 77126

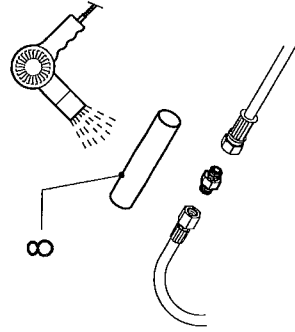
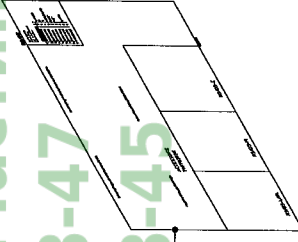
K4

EXACTA EL

links/left/gauche/izquierda/sinistra/venstre/vänster



Замов ACCESSOIRE Запчасти
 (050)-407-68-47
 (050)-407-68-45



bestelnnummer
 ordernummer
 num. o commander
 Bestellnummer

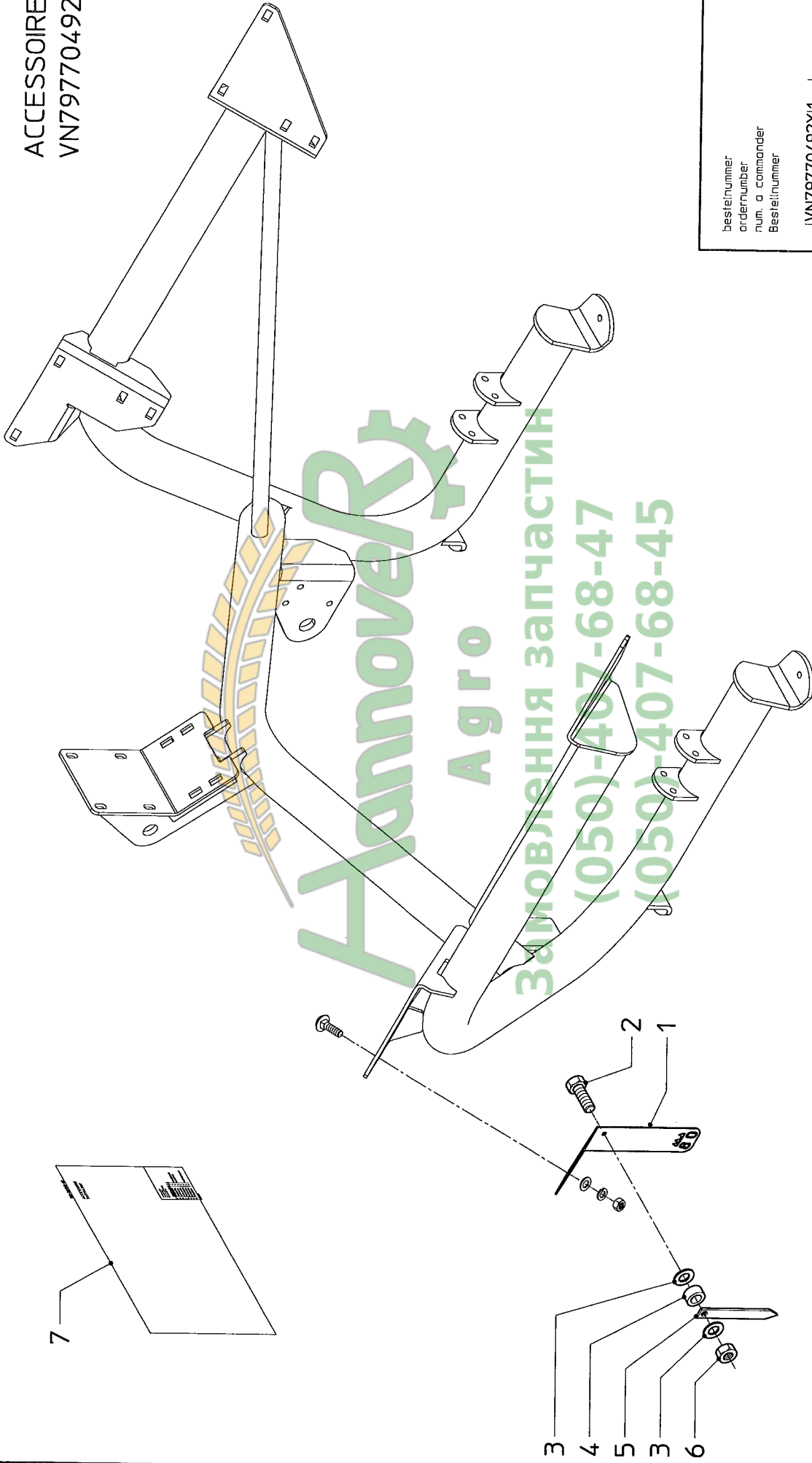
1	VN79770392X1	L=1600
2	VNB0738978	P
3	VNB0817978	T
4	VNB0818078	A21x26x1,5
5	VN31419201	G1/2"
6	VN38854081	1/2"
7	VN38854586	L=140
8	VNB0854293	G1/2"-M14x1,5
9	VNB1504678	A14x18x1,5
10	VN70009483	RAL-8M
11	VNB3084193	G1/2"-M14-M12
12	VN31419900	G1/2"-M14x1,5
13	VN17895704	
14	VN38820225	
15	VNB3083893	
15	VNB1306893	

serial number 77126

K5

EXACTA EL

ACCESSOIRE
VN79770492X



bestelnnummer
ordernummer
num. a commander
Bestellnummer

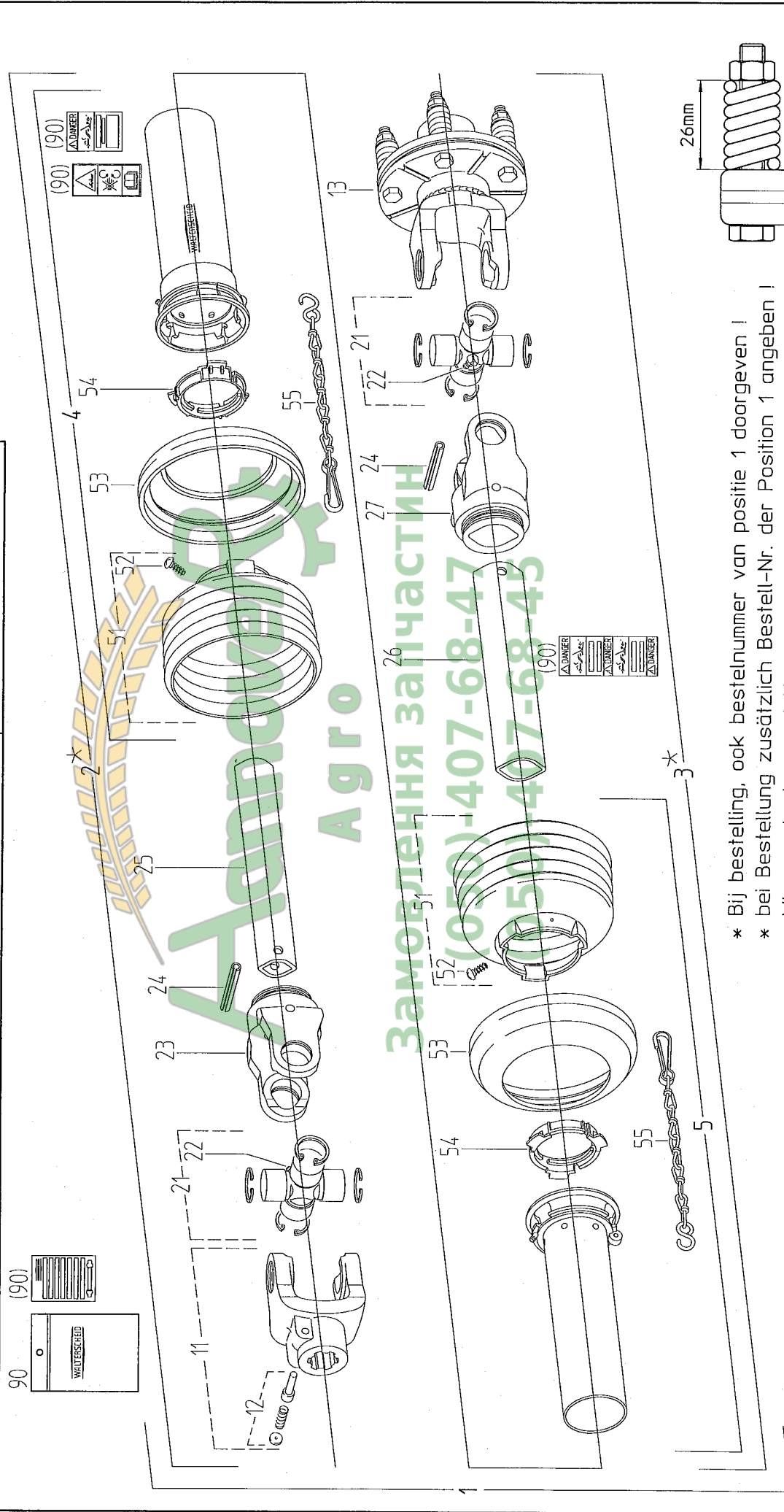
1	VN79770492X	1	M6x20/RVS
2	VNB2849202	1	A6.4/RVS
3	KG00495200	2	M6/RVS/Nyloc
4	KG01257400	1	
5	VNB2003302	1	
6	VNB2003294	1	
7	KG01069800	1	
	VN70009559	1	

serial number 77126

C3

EXACTA EL

Walterscheid	W100E-SD05-910-K94/1	AG2100-1 3/8"(6)	24 VG61.04.01	IS08752-8x50	53 VG83.10.03
1	VN46120086	K94/1-2100-1 3/8"(6)ZV-M=400Nm	25 VG75.02.15	00c-800	54 VG83.09.01
2	*	BM8x1	26 VG75.12.15	0a-800	55 VG82.36.03
3	*	RG2100-00a	27 VG10.49.00	n=RP6	90 VGagraset 207.
4	VG85.005		51 VG85.05.06	4x10	
5	VG85.004		52 VG60.15.00		



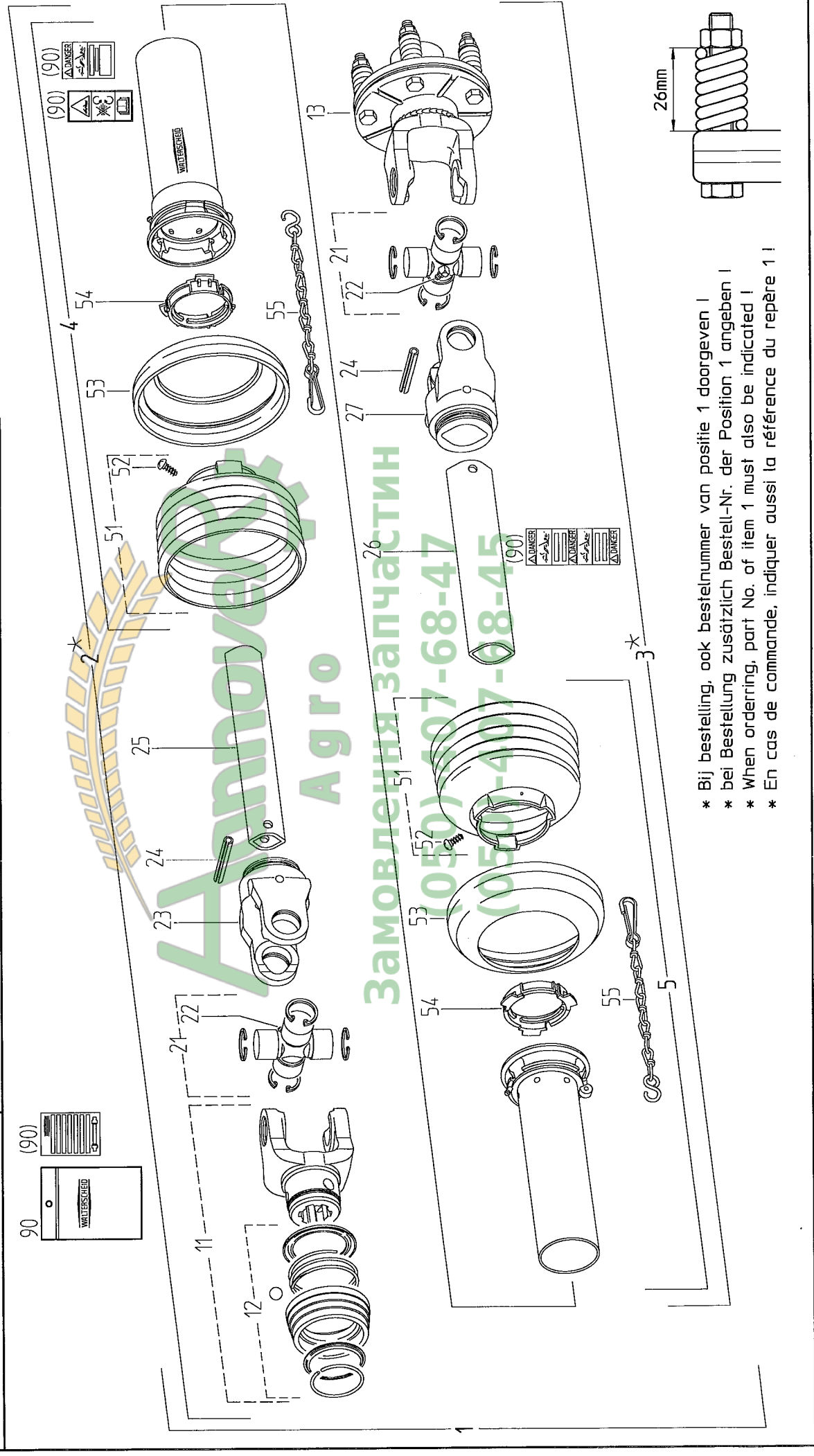
- * Bij bestelling, ook bestelnummer van positie 1 doorgeven !
- * bei Bestellung zusätzlich Bestell-Nr. der Position 1 angeben !
- * When ordering, part No. of item 1 must also be indicated !
- * En cas de commande, indiquer aussi la référence du repère 1 !

serial number 77126

C4

EXACTA EL

Walterscheid	11 VG10.83.30	AG2100-1 3/8"(6)	24 VG61.04.01	IS08752-8x50	53 VG83.10.03
VN46120092	12 VGagraset 172	K94/1-2100-1 3/8"(6)ZV-M=400Nm	25 VG75.02.15	00c-800	54 VG83.09.01
2 *	13 VG56.117.19	BM8x1	26 VG75.12.15	0a-800	55 VG82.36.03
3 *	21 VG10.01.00	RG2100-00a	27 VG10.49.00	n=RP6	90 VGagraset 207
4 VG85.005	22 VG63.27.00		51 VG85.05.06	4x10	
5 VG85.004	23 VG10.48.00		52 VG60.15.00		



* Bij bestelling, ook bestelnummer van positie 1 doorgeven !
 * bei Bestellung zusätzlich Bestell-Nr. der Position 1 angeben !
 * When ordering, part No. of item 1 must also be indicated !
 * En cas de commande, indiquer aussi la référence du repère 1 !

NUMERICAL INDEX / NUMMERN-VERZEICHNIS / INDEX NUMERIQUE / NUMERIEKE INDEX / INDICE DE NUMEROS

1 EXACTA-EL		Page: 01		Page: 02		Page: 03		Page: 04		Page: 05		Page: 06		Page: 07	
Part no.	Selle	Teile-nr.	Part no.	Selle	Teile-nr.	Part no.	Selle	Teile-nr.	Part no.	Selle	Teile-nr.	Part no.	Selle	Teile-nr.	Part no.
No. de ref.	Page	No. de ref.	Page	No. de ref.	Page	No. de ref.	Page	No. de ref.	Page	No. de ref.	Page	No. de ref.	Page	No. de ref.	Page
Onderd. nr.	Pagina	Onderd. nr.	Pagina	Onderd. nr.	Pagina	Onderd. nr.	Pagina	Onderd. nr.	Pagina	Onderd. nr.	Pagina	Onderd. nr.	Pagina	Onderd. nr.	Pagina
Norm. de pza	Pagina	Norm. de pza	Pagina	Norm. de pza	Pagina	Norm. de pza	Pagina	Norm. de pza	Pagina	Norm. de pza	Pagina	Norm. de pza	Pagina	Norm. de pza	Pagina
AC748748	C15	KG00713700	J16	KG01204300	K02	VG75.02.15	C04	VN30117100	J06	VN70009708	J14	VNB0854293	K04	VNB0854293	K04
KG00397300	J04	KG00714100	J16	KG01257400	J06	VG75.12.15	C03	VN30117600	J06	VN70009709	K02	VNB0854378	J15	VNB0854378	J15
KG00397400	J04	KG00747600	J03	KG01257400	J06	VG75.12.15	C04	VN30598012	J15	VN70009711	J12	VNB0870178	J01	VNB0870178	J01
KG00398900	K03	KG00747600	J06	KG01257800	J06	VG82.36.03	C03	VN30854116	K03	VN79770216	J05	VNB0897393	J01	VNB0897393	J01
KG00494900	J02	KG00870000	J06	KG01257800	J06	VG82.36.03	C04	VN31419024	K01	VN79770220	J15	VNB0903374	C15	VNB0903374	C15
KG00494900	K03	KG01031961	J15	KG01263700	J06	VG83.09.01	C03	VN31419201	J07	VN79770291	K01	VNB1082102	J04	VNB1082102	J04
KG00495100	J09	KG01044900	J06	KG01263800	J06	VG83.09.01	C04	VN31419201	J14	VN79770306	J16	VNB1082102	J05	VNB1082102	J05
KG00495100	J10	KG01053800	J03	KG01263800	J06	VG83.10.03	C03	VN31419201	K04	VN79770338	J08	VNB1082102	J06	VNB1082102	J06
KG00495100	J12	KG01053800	J06	KG01263800	J11	VG83.10.03	C04	VN31419900	K04	VN79770373	J09	VNB1181374	C15	VNB1181374	C15
KG00495200	J11	KG01053800	K03	KG01263800	K03	VG85.004	C03	VN386608039	K01	VN79770375	J06	VNB1181374	J05	VNB1181374	J05
KG00495200	K05	KG01059600	J02	KG01263900	K03	VG85.004	C04	VN38820194	J15	VN79770392	K04	VNB1194874	C15	VNB1194874	C15
KG00495300	J06	KG01059600	J09	KG01264000	J01	VG85.005	C03	VN38820194	K01	VN79770492	K05	VNB1194874	J05	VNB1194874	J05
KG00495300	J13	KG01059600	J10	KG01264000	J02	VG85.005	C04	VN38820225	J15	VN79770527	J11	VNB1226902	J07	VNB1226902	J07
KG00497200	K03	KG01059600	J11	KG01264000	J03	VG85.05.06	C03	VN38820225	K01	VN79770528	J05	VNB1306893	K04	VNB1306893	K04
KG00498500	J15	KG01059600	J13	KG01264000	J04	VG85.05.06	C04	VN38820225	J07	VN79770615	J10	VNB1306893	J15	VNB1306893	J15
KG00498700	J01	KG01059600	K03	KG01264000	J08	VGAGRASET 101	C03	VN38854081	K04	VN79770616	J13	VNB1310474	C15	VNB1310474	C15
KG00498700	J02	KG01069700	J06	KG01264000	J14	VGAGRASET 172	C04	VN38854081	J14	VN79770617	J14	VNB1504578	J07	VNB1504578	J07
KG00498700	J07	KG01069700	J16	KG01264000	K03	VGAGRASET 207	C03	VN38854081	K04	VN79770618	K02	VNB1504578	J15	VNB1504578	J15
KG00498800	J13	KG01069800	J06	KG01264100	J01	VGAGRASET 207	C04	VN38854581	J07	VN79770620	J12	VNB1504578	K01	VNB1504578	K01
KG00498800	J02	KG01069800	J12	KG01264100	J15	VGTR1010	C15	VN38854581	J14	VN80504001	J07	VNB1504678	J07	VNB1504678	J07
KG00498800	J03	KG01069800	K05	KG01264100	K03	VGTR2005	C15	VN38854586	K04	VN80504001	J15	VNB1504678	J14	VNB1504678	J14
KG00498800	J08	KG01069900	J05	KG10.01.00	C03	VGTR2011	C15	VN46120086	C03	VN80504001	J16	VNB1504678	J15	VNB1504678	J15
KG00498800	J14	KG01069900	K03	KG10.01.00	C04	VGTR2015	C15	VN46120092	C04	VN80504001	K01	VNB1504678	K01	VNB1504678	K01
KG00498800	K03	KG01070000	J01	KG10.10.00	C03	VGTR2023	C15	VN48520005	J16	VN90070600	K03	VNB1504678	K04	VNB1504678	K04
KG00498900	J03	KG01070000	J02	KG10.48.00	C03	VGTR2023	J12	VN48520009	J16	VN98630051	K03	VNB1578878	J06	VNB1578878	J06
KG00498900	J14	KG01070000	J03	KG10.48.00	C04	VGTR2039	C15	VN48523001	J16	VNB0341273	J16	VNB1599994	J01	VNB1599994	J01
KG00499200	K02	KG01070000	J04	KG10.49.00	C03	VGTR2059	C15	VN48523002	J16	VNB0736102	J07	VNB1608494	J14	VNB1608494	J14
KG00499500	J06	KG01070000	J08	KG10.49.00	C04	VGTR2059	J14	VN70009207	J15	VNB0738978	J07	VNB1617078	J06	VNB1617078	J06
KG00500900	J01	KG01070000	J13	KG10.83.30	C04	VN17856588	J13	VN70009391	J16	VNB0738978	K04	VNB1665294	J01	VNB1665294	J01
KG00501100	J01	KG01070000	J14	KG56.117.19	C03	VN17883776	K01	VN70009393	J08	VNB0739093	J07	VNB1709302	J05	VNB1709302	J05
KG00501200	J15	KG01070000	K01	KG56.117.19	C04	VN17895703	J15	VN70009395	J11	VNB0765193	J01	VNB1727574	J15	VNB1727574	J15
KG00565700	J05	KG01070000	K02	KG60.15.00	C03	VN17895704	J15	VN70009417	K01	VNB0817978	J07	VNB1754278	J05	VNB1754278	J05
KG00567300	K03	KG01070000	K03	KG61.04.01	C04	VN17895704	K04	VN70009452	J09	VNB0817978	K04	VNB1794778	J15	VNB1794778	J15
KG00654400	J03	KG01070100	J01	KG61.04.01	C04	VN17895704	J14	VN70009471	J06	VNB0818078	J07	VNB1840194	J15	VNB1840194	J15
KG00654500	K03	KG01070100	K03	KG63.27.00	C03	VN19456725	J14	VN70009483	K04	VNB0818078	K04	VNB1871094	J10	VNB1871094	J10
KG00654700	J06	KG01204300	J04	KG63.27.00	C04	VN30109004	J06	VN70009559	K05	VNB0835278	J14	VNB1871294	J10	VNB1871294	J10
KG00713700	J06	KG01204300	J14	KG75.02.15	C03	VN30116090	J07	VN70009706	J10	VNB0835678	J14	VNB1872394	J09	VNB1872394	J09
						VN30117100	J03	VN70009707	J13	VNB0854293	J15	VNB1896878	J16	VNB1896878	J16

NUMERICAL INDEX / NUMMERN-VERZEICHNIS / INDEX NUMERIQUE / NUMERIEKE INDEX / INDICE DE NUMEROS

Part no. Teile-nr.	Page: 08 Selle	Part no. Teile-nr.	Page: 09 Selle	Part no. Teile-nr.	Page: 10 Selle
No. de ref. Onderd. nr.	Page Pagina	No. de ref. Onderd. nr.	Page Pagina	No. de ref. Onderd. nr.	Page Pagina
Nom. de pza	Nom. de pza	Nom. de pza	Nom. de pza	Nom. de pza	Nom. de pza
VNB1947886	J15	VNB2849202	K05	VNB3698378	J03
VNB1998902	J05	VNB2868394	K03	VNB3705393	J04
VNB1999002	J05	VNB2868494	K03	VNB3705493	J04
VNB1999102	J05	VNB2927502	K03	VNB3705593	J04
VNB2003294	K05	VNB2927678	K03	VNB3708174	J12
VNB2003302	K05	VNB2927778	K03	VNB3708174	J13
VNB2030678	J07	VNB3083893	K04	VNB3710194	J14
VNB2068778	J08	VNB3084193	K04	VNB3710194	K02
VNB2301294	J08	VNB3307994	J04	VNB3710294	J14
VNB2301894	J08	VNB3310674	C15	VNB3710294	K02
VNB2306994	J11	VNB3310778	J11	VNB3710394	J14
VNB2307802	J05	VNB3323078	J06	VNB3710394	K02
VNB2308002	J05	VNB3323178	J06	VNB3712494	J12
VNB2332694	J01	VNB3327078	J06	VNB3712694	J14
VNB2333494	J05	VNB3342278	J06	VNB3712794	J14
VNB2333794	J05	VNB33405574	C15	VNB3713094	J14
VNB2333878	J06	VNB3359478	J06	VNB3734878	J04
VNB2334502	J06	VNB3359602	J06	VNB3776094	J01
VNB2334602	J06	VNB3359902	J06	VNB3796802	K03
VNB2335094	J07	VNB33596502	J14	VNB3796902	J02
VNB2358087	J16	VNB3671294	J10		
VNB2358187	J16	VNB3671394	J10		
VNB2372594	J13	VNB3681394	J01		
VNB2372894	J13	VNB3688294	J03		
VNB2442302	K01	VNB3689078	J04		
VNB2493094	J05	VNB3689194	J01		
VNB2493194	J05	VNB3689294	J01		
VNB2498994	J14	VNB3689394	J03		
VNB2530294	J04	VNB3689494	J03		
VNB2545894	J09	VNB3689594	J02		
VNB2602702	J06	VNB3692674	C15		
VNB2602802	J06	VNB3694194	J06		
VNB2607702	J06	VNB3694294	J06		
VNB2713494	K03	VNB3694402	J06		
VNB2713594	K03	VNB3694502	J06		
VNB2713694	K03	VNB3694794	J07		
VNB2760978	J03	VNB3694994	J13		
VNB2778874	C15	VNB3698278	J03		



Annover
Агро

Самовзлення запчастин
(050)-407-68-47
(050)-407-68-45



Замовлення запчастин

(050)-407-68-47

(050)-407-68-45

ACCORD

EXACTA EL

1001 ≥Mach ID



Kverneland Group Nieuw-Vennep B.V.
Hoofdweg 1278
NL-2153 LR Nieuw-Vennep
The Netherlands

Замовлення запчастин

(050)-407-68-47

(050)-407-68-45

© Kverneland group

All rights reserved. No part of this book may be reproduced, stored in a database or retrieval system, or published in any form or in any way, electronically, mechanically, optically, by print, photo print, microfilm (including micro and macro fiche), or any other means, including all video and CD systems, without prior written permission from the publisher.

